

US00D751530S

(12) **United States Design Patent**  
**Kolton**

(10) **Patent No.:** **US D751,530 S**  
(45) **Date of Patent:** **\*\* Mar. 15, 2016**

(54) **EARPHONE**

(71) Applicant: **Timothy Val Kolton**, Arlington, TX  
(US)

(72) Inventor: **Timothy Val Kolton**, Arlington, TX  
(US)

(\*\*) Term: **14 Years**

(21) Appl. No.: **29/515,788**

(22) Filed: **Jan. 27, 2015**

(51) **LOC (10) Cl.** ..... **14-01**

(52) **U.S. Cl.**

USPC ..... **D14/205**; D14/223

(58) **Field of Classification Search**

USPC ..... D14/205, 223; D24/174; 181/129, 130,  
181/135; 379/430, 431; 381/380, 381;  
455/90.3, 575.1

CPC ..... H04R 1/10

See application file for complete search history.

(56) **References Cited**

**U.S. PATENT DOCUMENTS**

- 5,363,444 A \* 11/1994 Norris ..... H04M 1/05  
379/430
- 5,373,555 A \* 12/1994 Norris ..... H04M 1/05  
379/430
- 5,410,608 A \* 4/1995 Lucey ..... H04R 1/083  
381/360
- 6,084,976 A \* 7/2000 Lin ..... H04R 1/1016  
181/129
- 6,574,345 B1 \* 6/2003 Huang ..... H04R 1/1016  
379/430
- D542,782 S \* 5/2007 Pena Angarita ..... D14/223
- D554,627 S \* 11/2007 Gondo ..... D14/223
- D567,217 S \* 4/2008 Kamo ..... D14/205
- D569,841 S \* 5/2008 Chung ..... D14/205
- D573,978 S \* 7/2008 Ledbetter ..... D14/205
- D576,154 S \* 9/2008 Ledbetter ..... D14/223
- D587,681 S \* 3/2009 Yanai ..... D14/205
- D593,997 S \* 6/2009 Mauritzsson ..... D14/205
- D594,441 S \* 6/2009 Lee ..... D14/205
- 7,551,748 B2 \* 6/2009 Kamo ..... H04R 1/1016  
381/328
- D598,894 S \* 8/2009 Masuda ..... D14/205
- D599,778 S \* 9/2009 Ando ..... D14/205
- D605,170 S \* 12/2009 Keinanen ..... D14/205

- D606,972 S \* 12/2009 Schaefer ..... D14/205
- D614,168 S \* 4/2010 Rogers ..... D14/206
- D627,764 S \* 11/2010 Tsai ..... D14/223
- D628,564 S \* 12/2010 Chong ..... D14/223
- D629,395 S \* 12/2010 Lee ..... D14/223
- D637,181 S \* 5/2011 Fuller ..... D14/223
- D642,163 S \* 7/2011 Lee ..... D14/223
- D643,416 S \* 8/2011 Chong ..... D14/223
- D660,290 S \* 5/2012 Weedon ..... D14/223
- 8,265,323 B2 \* 9/2012 Stiehl ..... B29C 45/0025  
381/371
- D674,904 S \* 1/2013 Aunio ..... D14/223
- D678,251 S \* 3/2013 Cantoni ..... D14/223
- D680,102 S \* 4/2013 Chen ..... D14/223
- D685,764 S \* 7/2013 Coulter ..... D14/205
- D697,058 S \* 1/2014 Thompson ..... D14/205
- D707,652 S \* 6/2014 Brunner ..... D14/205
- D716,272 S \* 10/2014 Yang ..... D14/223
- D722,040 S \* 2/2015 Tan ..... D14/205
- 8,965,031 B2 \* 2/2015 Shinyama ..... H04R 1/1033  
381/380
- D735,699 S \* 8/2015 Yasuda ..... D14/223
- D742,363 S \* 11/2015 Andersson ..... D14/223
- 2011/0317864 A1 \* 12/2011 Kaneko ..... H04R 1/1066  
381/380
- 2013/0170692 A1 \* 7/2013 Kaneko ..... H04R 1/1033  
381/380

\* cited by examiner

*Primary Examiner* — Paula Greene

(74) *Attorney, Agent, or Firm* — Edwin Tarver; Lauson & Tarver, LLP

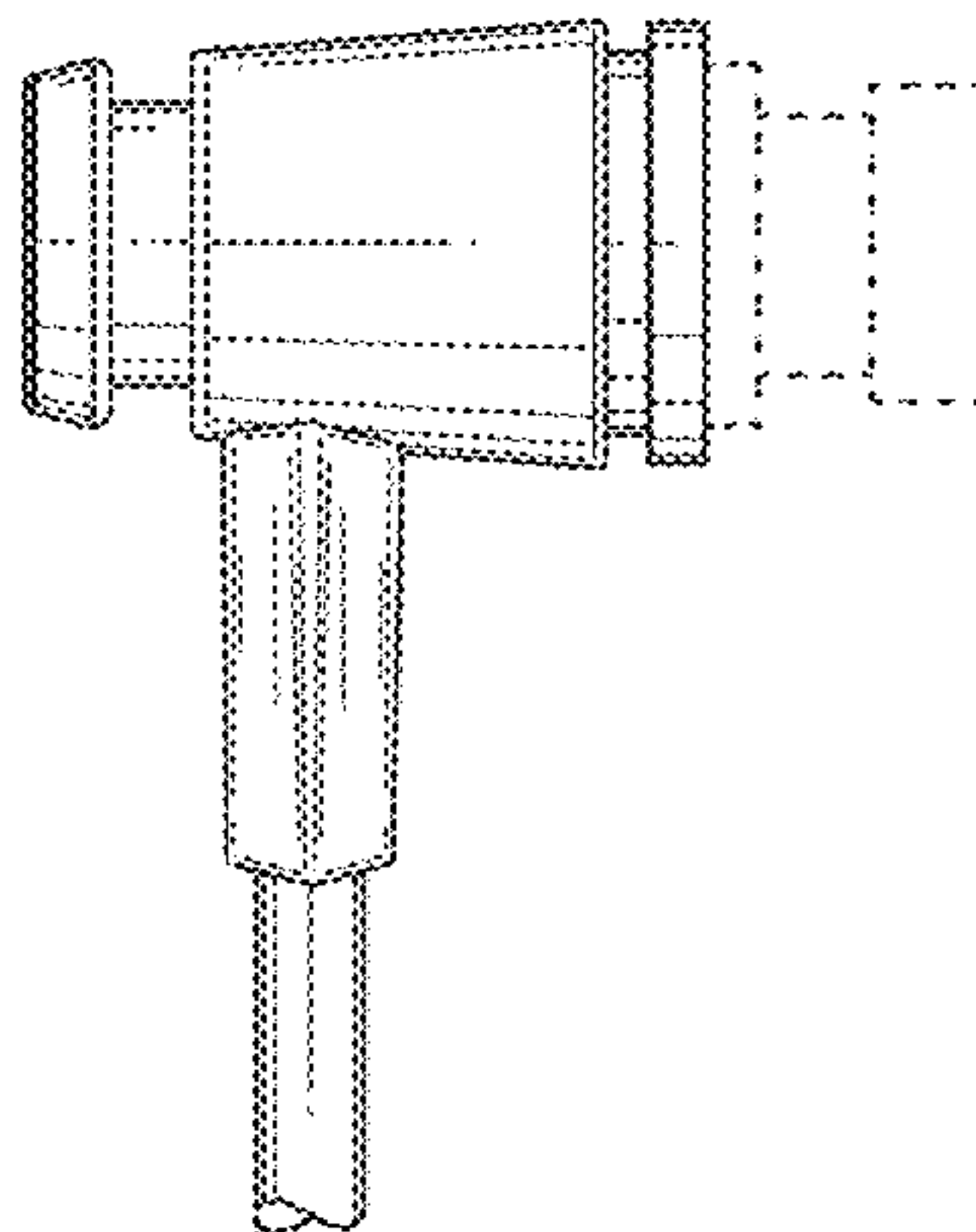
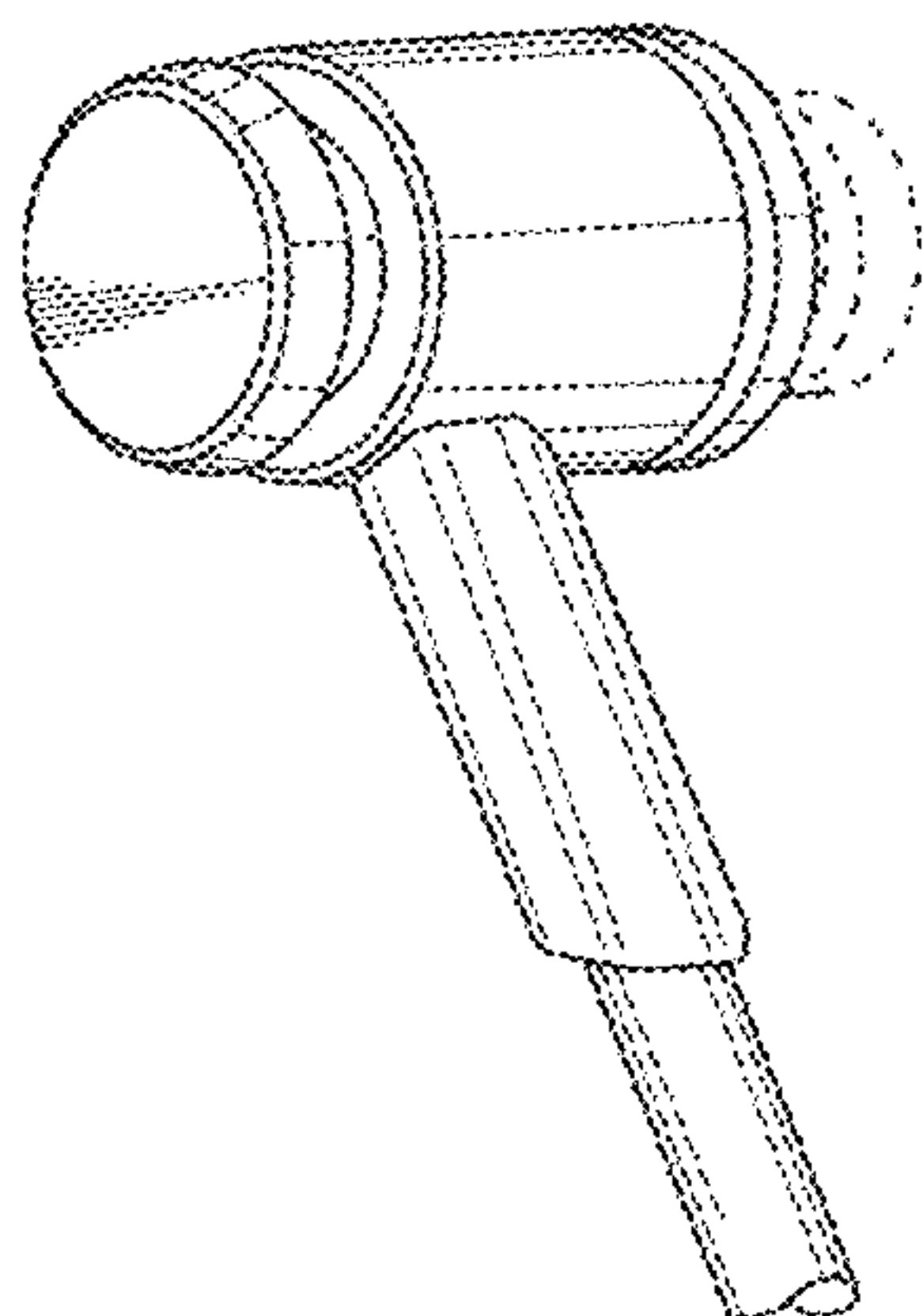
(57) **CLAIM**

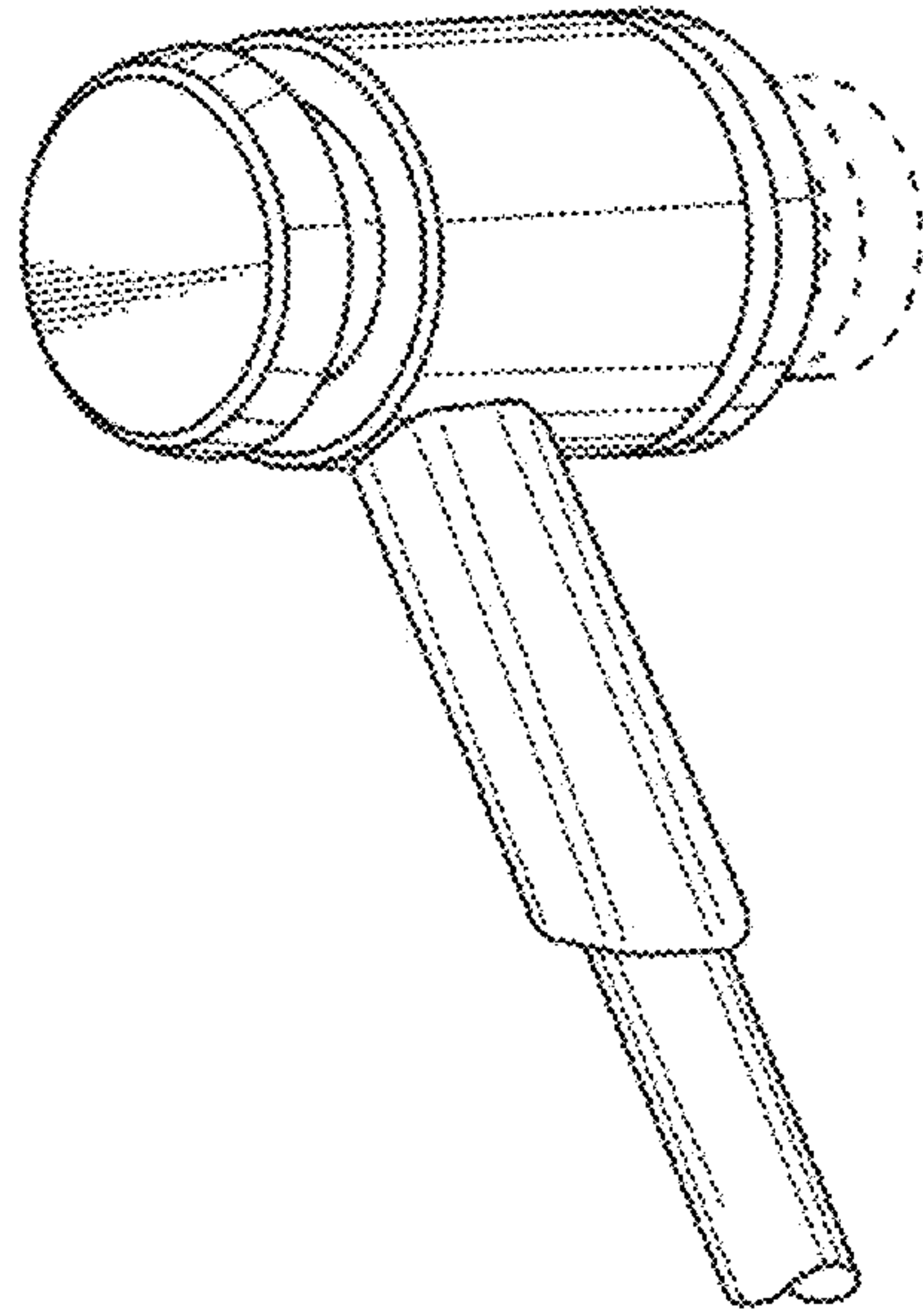
The ornamental design for an earphone, as shown and described.

**DESCRIPTION**

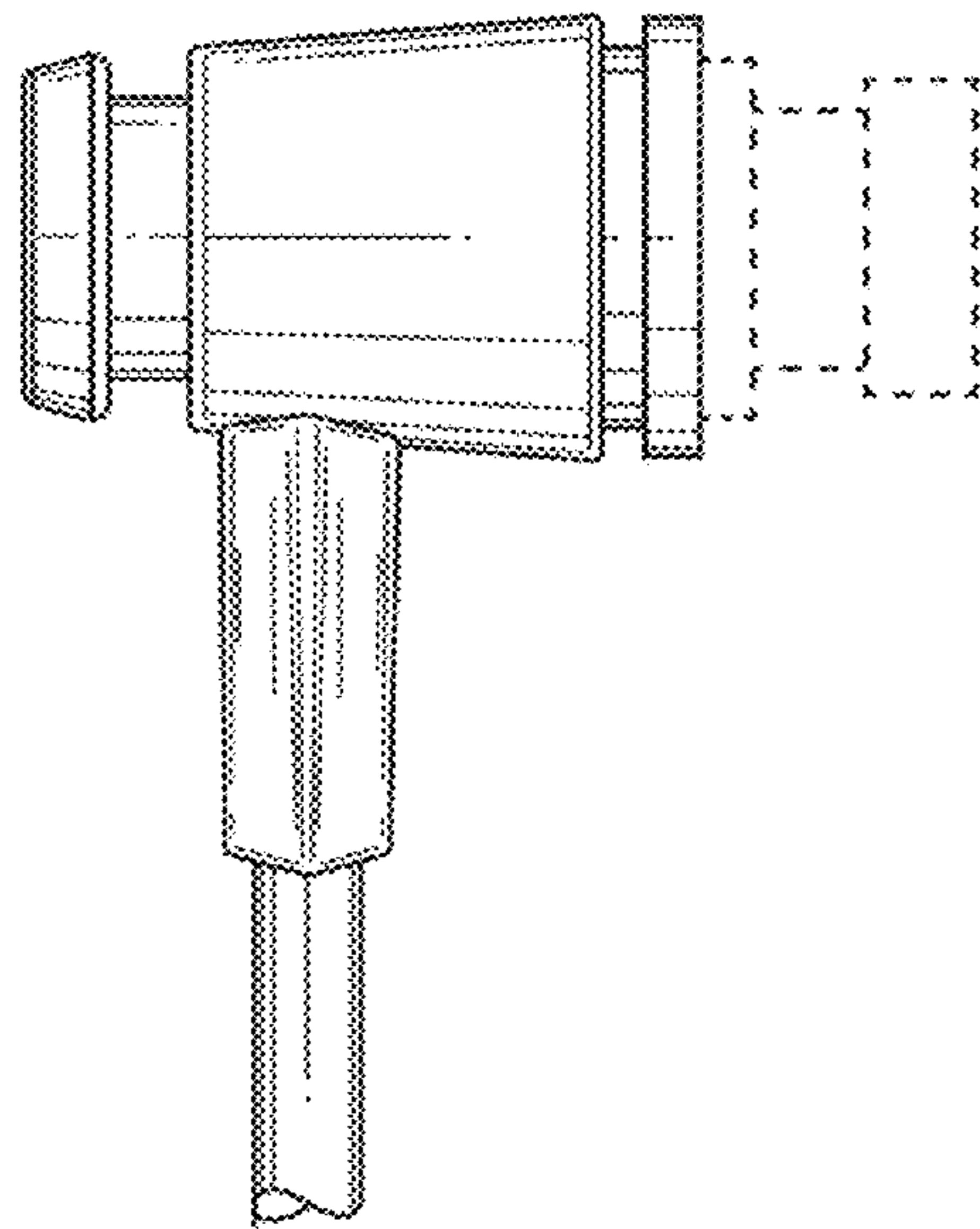
FIG. 1 is a perspective view of an earphone according to the new design;  
FIG. 2 is a right elevation view thereof;  
FIG. 3 is a left elevation view thereof;  
FIG. 4 is a front view thereof;  
FIG. 5 is a rear view thereof;  
FIG. 6 is a top view thereof; and,  
FIG. 7 is a bottom view thereof.  
The broken line showings of FIGS. 1-7 are for illustrative purposes and form no part of the claimed design.

**1 Claim, 2 Drawing Sheets**

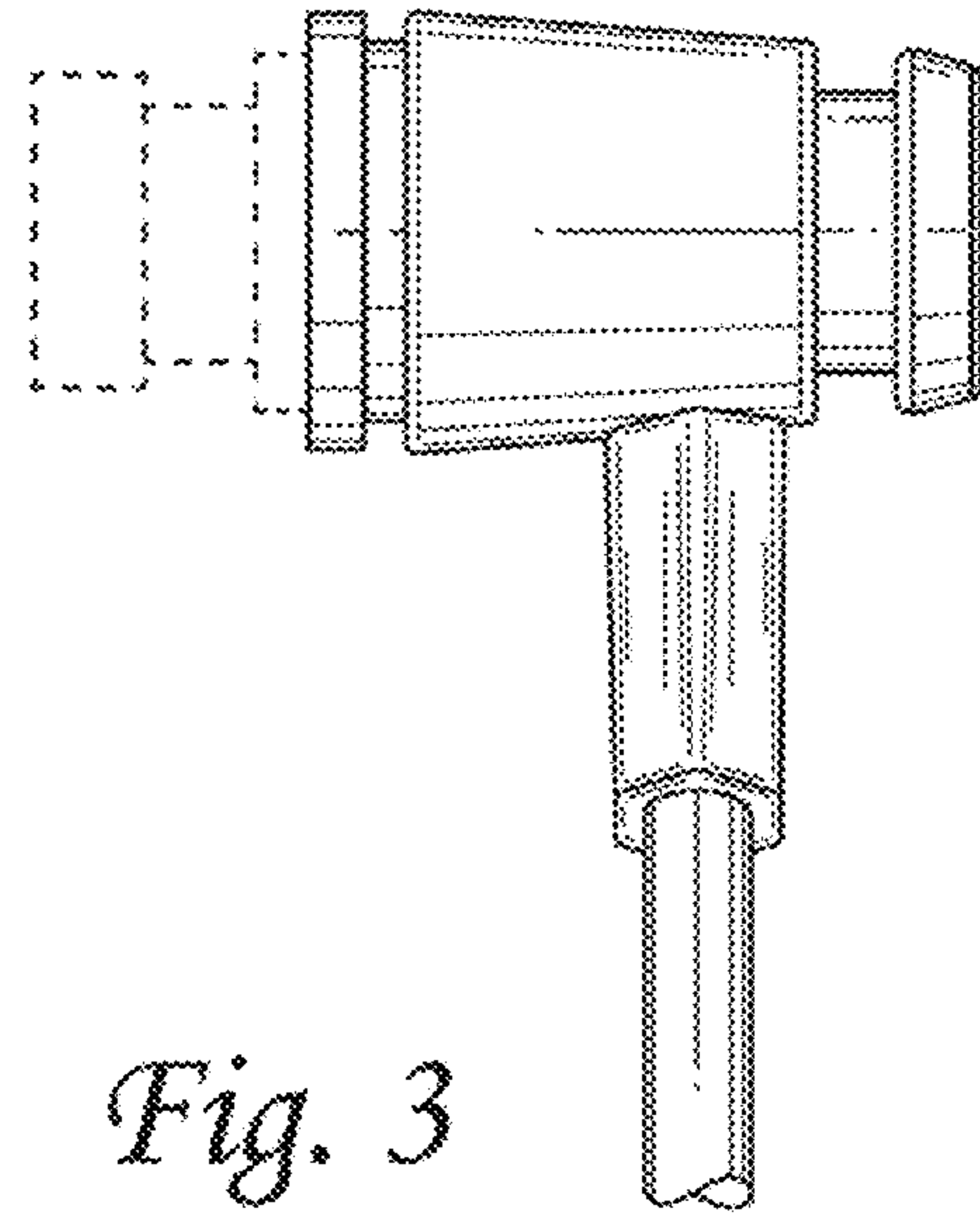




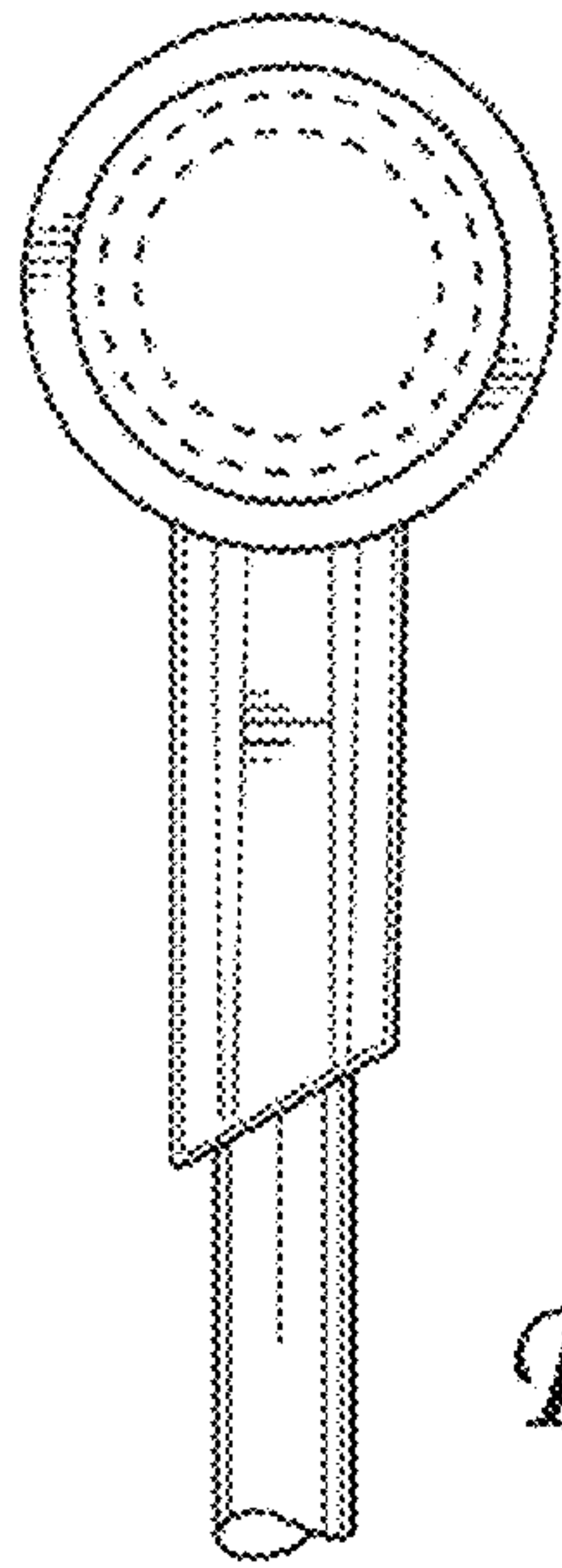
*Fig. 1*



*Fig. 2*

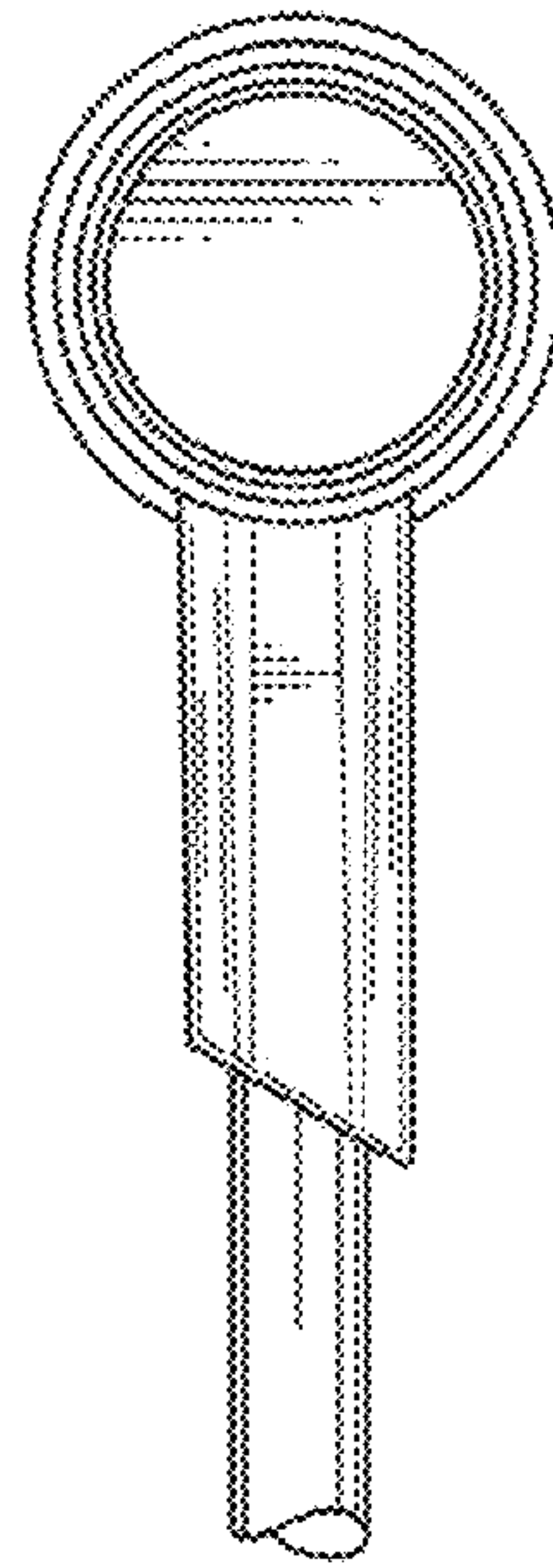


*Fig. 3*

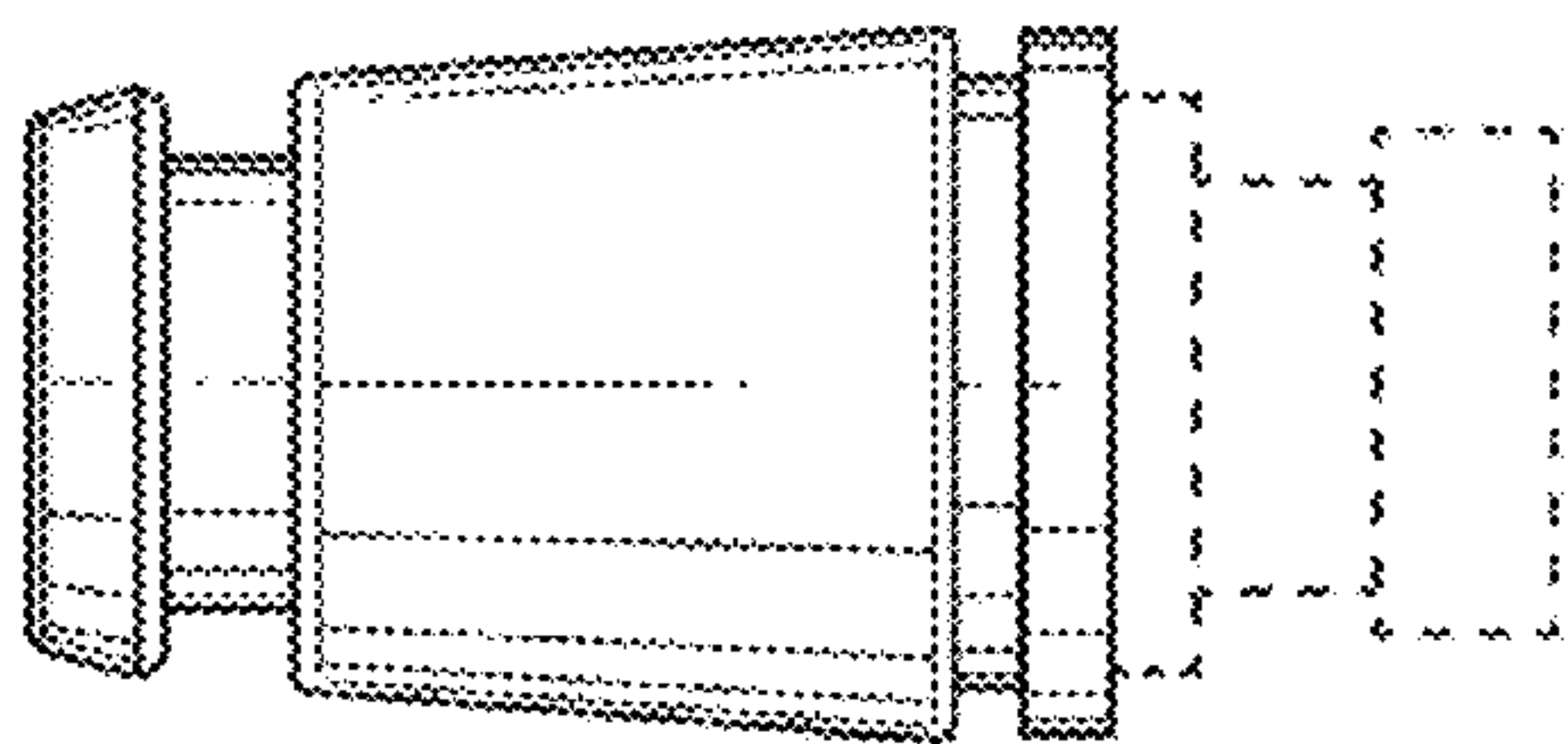


*Fig. 4*

*Fig. 5*



*Fig. 6*



*Fig. 7*

