



US00D751529S

(12) **United States Design Patent**
Kolton

(10) **Patent No.:** **US D751,529 S**
(45) **Date of Patent:** **** Mar. 15, 2016**

(54) **EARPHONE**

(71) Applicant: **Timothy Val Kolton**, Arlington, TX
(US)

(72) Inventor: **Timothy Val Kolton**, Arlington, TX
(US)

(**) Term: **14 Years**

(21) Appl. No.: **29/515,785**

(22) Filed: **Jan. 27, 2015**

(51) **LOC (10) Cl.** **14-01**

(52) **U.S. Cl.**
USPC **D14/205**; D14/223

(58) **Field of Classification Search**
USPC D14/205, 223; D24/174; 181/129, 130,
181/135; 379/430, 431; 381/380, 381;
455/90.3, 575.1
CPC H04R 1/10
See application file for complete search history.

(56) **References Cited**

U.S. PATENT DOCUMENTS

- 5,363,444 A * 11/1994 Norris H04M 1/05
379/430
- 5,373,555 A * 12/1994 Norris H04M 1/05
379/430
- 5,410,608 A * 4/1995 Lucey H04R 1/083
381/360
- 6,084,976 A * 7/2000 Lin H04R 1/1016
181/129
- D457,514 S * 5/2002 Marion D14/223
- 6,574,345 B1 * 6/2003 Huang H04R 1/1016
379/430
- 6,902,029 B2 * 6/2005 Weise A42B 3/166
128/867
- D542,782 S * 5/2007 Pena Angarita D14/223
- D554,627 S * 11/2007 Gondo D14/223
- D567,217 S * 4/2008 Kamo D14/205
- D576,154 S * 9/2008 Ledbetter D14/223
- D587,681 S * 3/2009 Yanai D14/205
- D594,441 S * 6/2009 Lee D14/205
- 7,551,748 B2 * 6/2009 Kamo H04R 1/1016
381/328

- D598,894 S * 8/2009 Masuda D14/205
- D599,778 S * 9/2009 Ando D14/205
- D605,170 S * 12/2009 Keinanen D14/205
- D606,972 S * 12/2009 Schaefer D14/205
- D627,764 S * 11/2010 Tsai D14/223
- D628,564 S * 12/2010 Chong D14/223
- D629,395 S * 12/2010 Lee D14/223
- D642,163 S * 7/2011 Lee D14/223
- D643,416 S * 8/2011 Chong D14/223
- D643,417 S * 8/2011 Lee D14/223
- D660,290 S * 5/2012 Weedon D14/223
- D674,904 S * 1/2013 Aunio D14/223
- D678,251 S * 3/2013 Cantoni D14/223
- D680,102 S * 4/2013 Chen D14/223
- D685,764 S * 7/2013 Coulter D14/205
- D697,058 S * 1/2014 Thompson D14/205
- D716,272 S * 10/2014 Yang D14/223
- 8,965,031 B2 * 2/2015 Shinyama H04R 1/1033
381/380
- D735,699 S * 8/2015 Yasuda D14/223
- D742,363 S * 11/2015 Andersson D14/223
- 2011/0317864 A1 * 12/2011 Kaneko H04R 1/1066
381/380
- 2013/0170692 A1 * 7/2013 Kaneko H04R 1/1033
381/380

* cited by examiner

Primary Examiner — Paula Greene

(74) *Attorney, Agent, or Firm* — Edwin Tarver; Lauson & Tarver, LLP

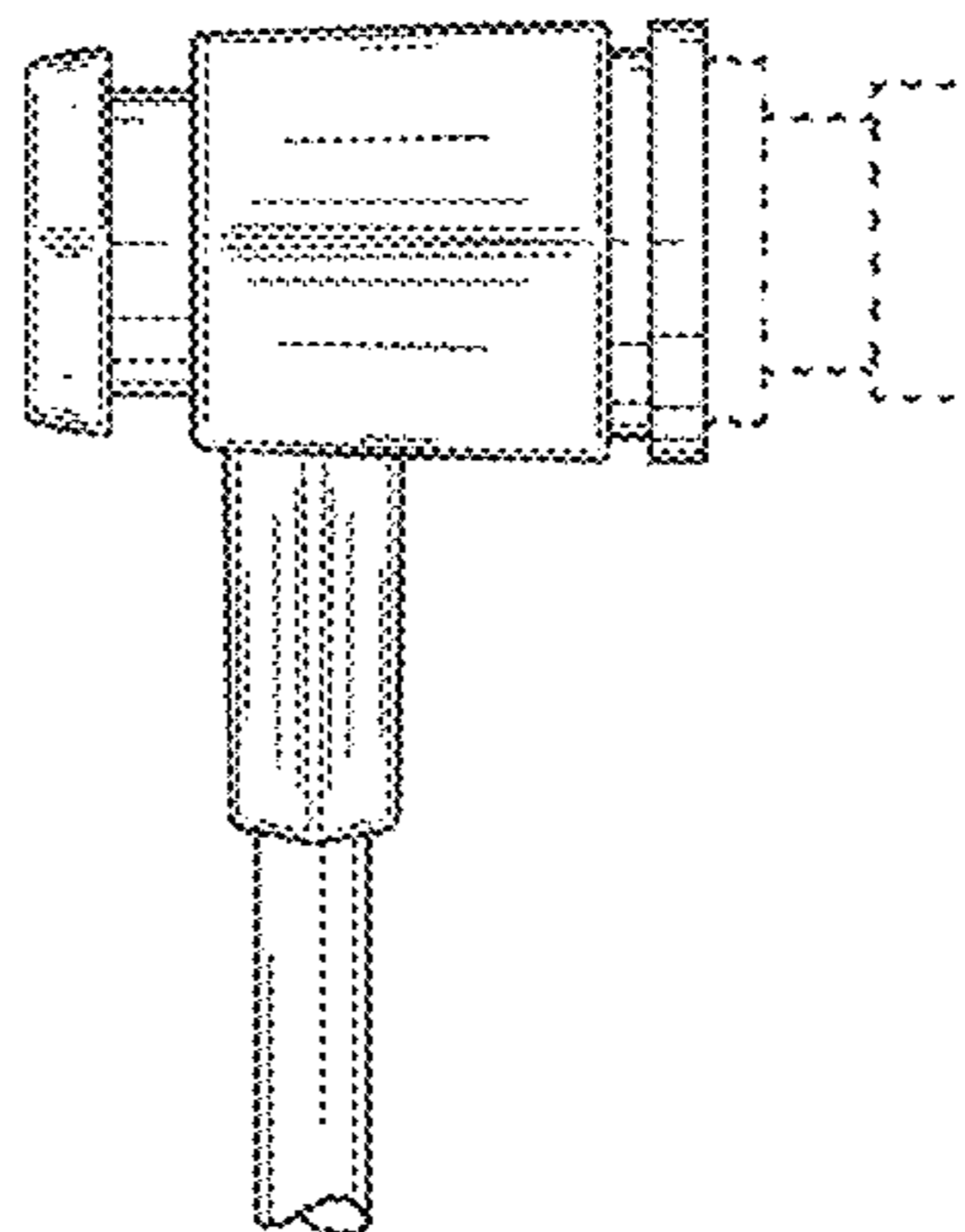
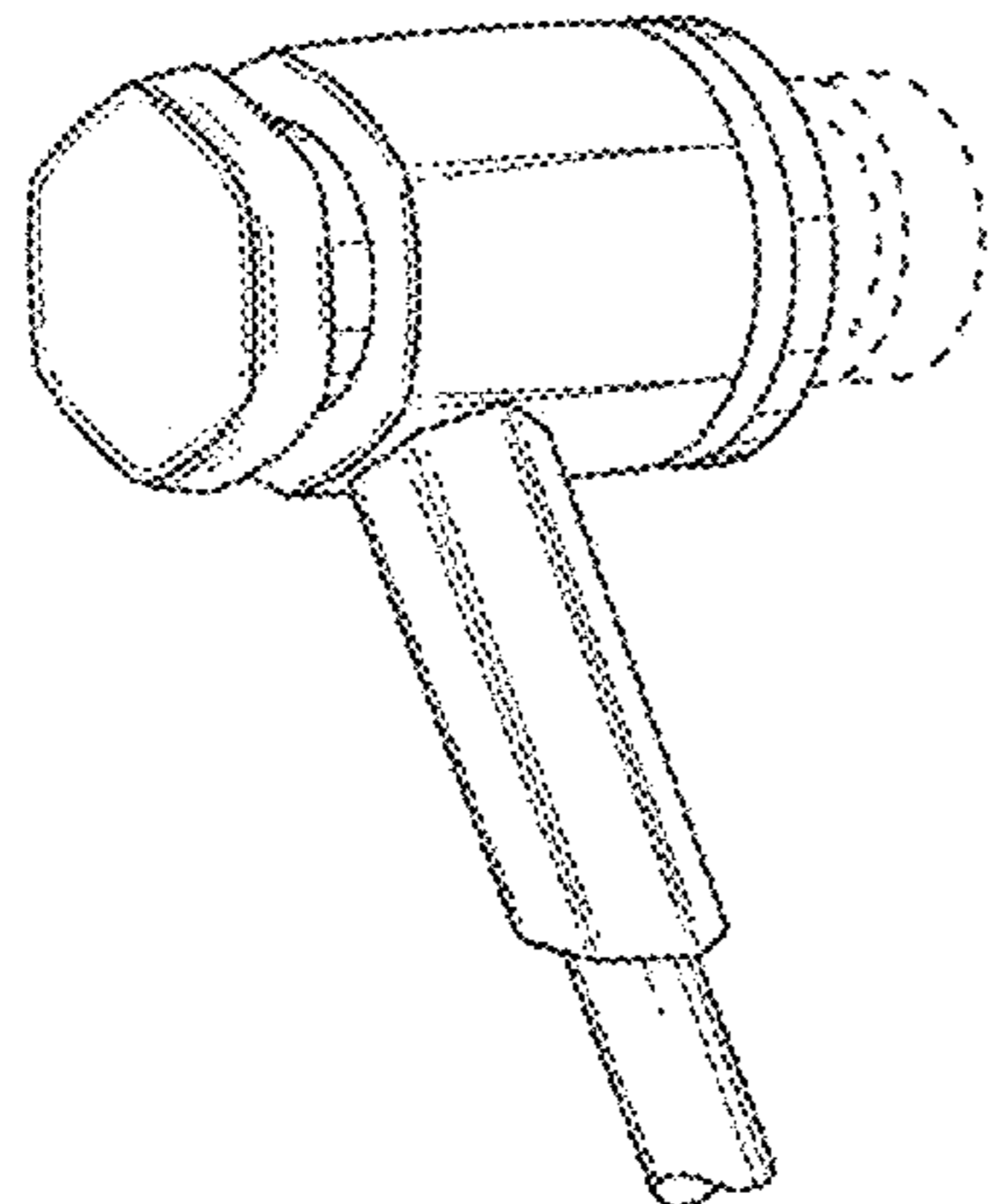
(57) **CLAIM**

The ornamental design for an earphone, as shown and described.

DESCRIPTION

FIG. 1 is a perspective view of an earphone according to the new design;
FIG. 2 is a right elevation view thereof;
FIG. 3 is a left elevation view thereof;
FIG. 4 is a top view thereof;
FIG. 5 is a bottom view thereof;
FIG. 6 is a front view thereof; and,
FIG. 7 is at rear view thereof.
The broken line showings of FIGS. 1-7 are for illustrative purposes and form no part of the claimed design.

1 Claim, 2 Drawing Sheets



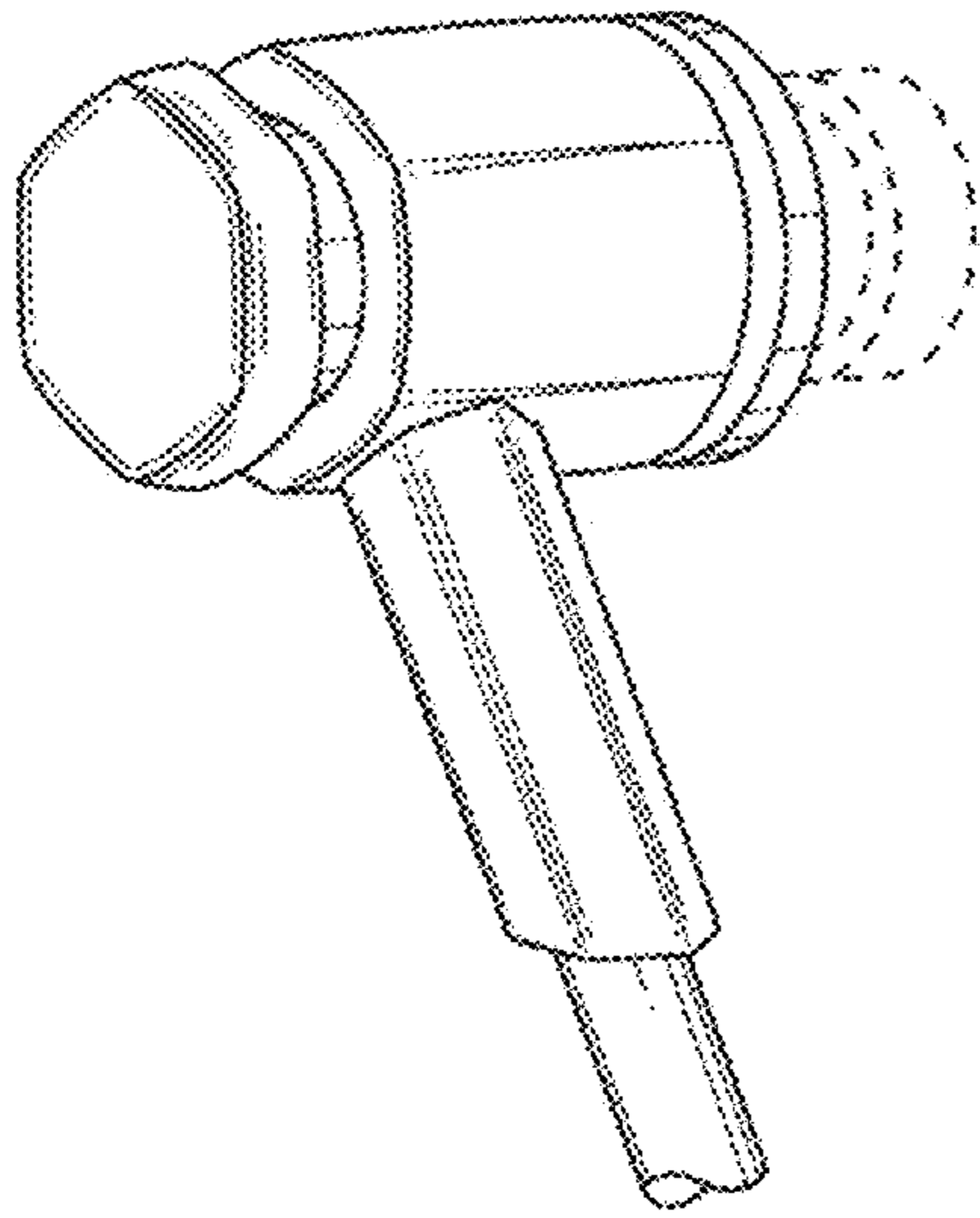


Fig. 1

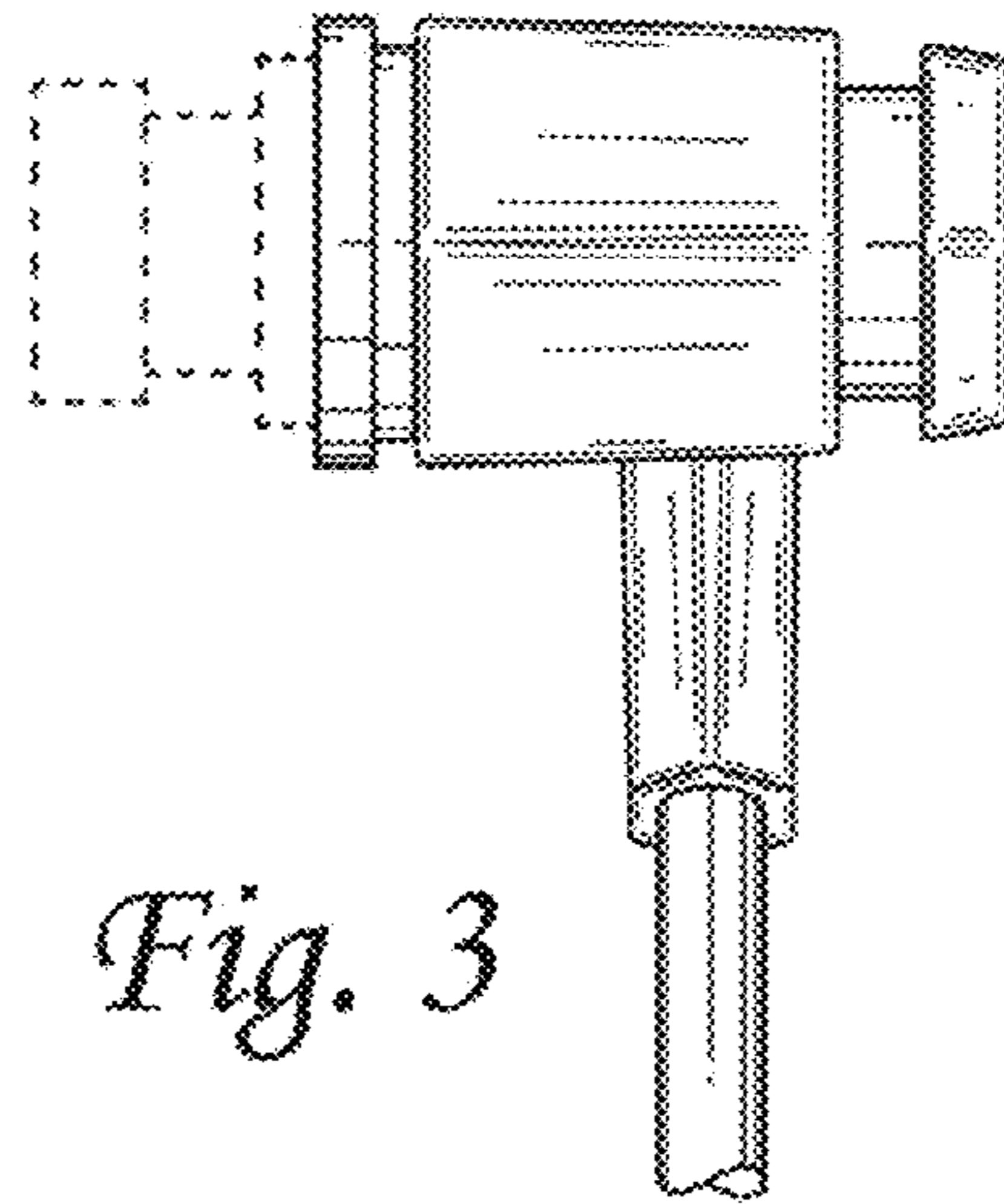


Fig. 3

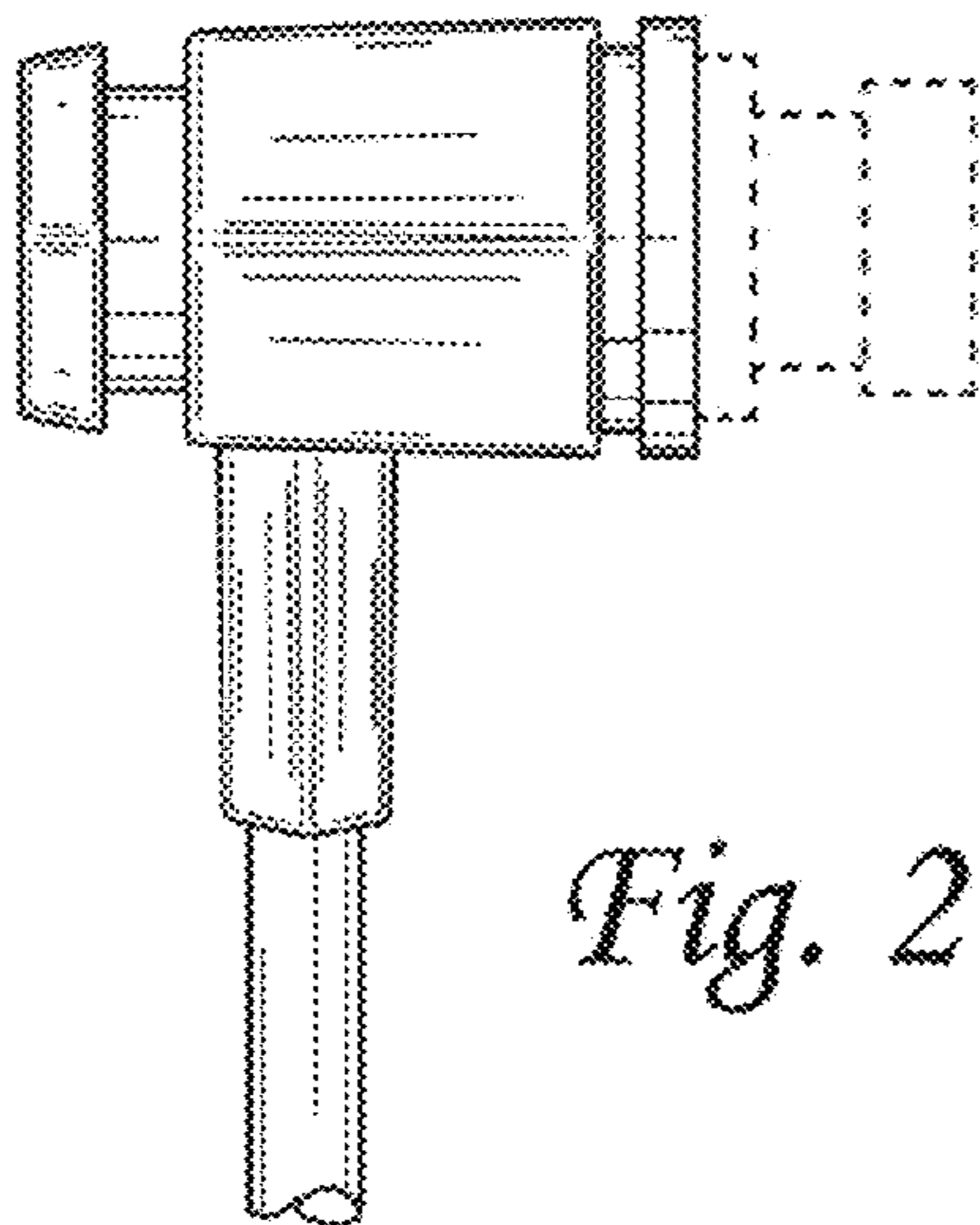


Fig. 2

Fig. 4

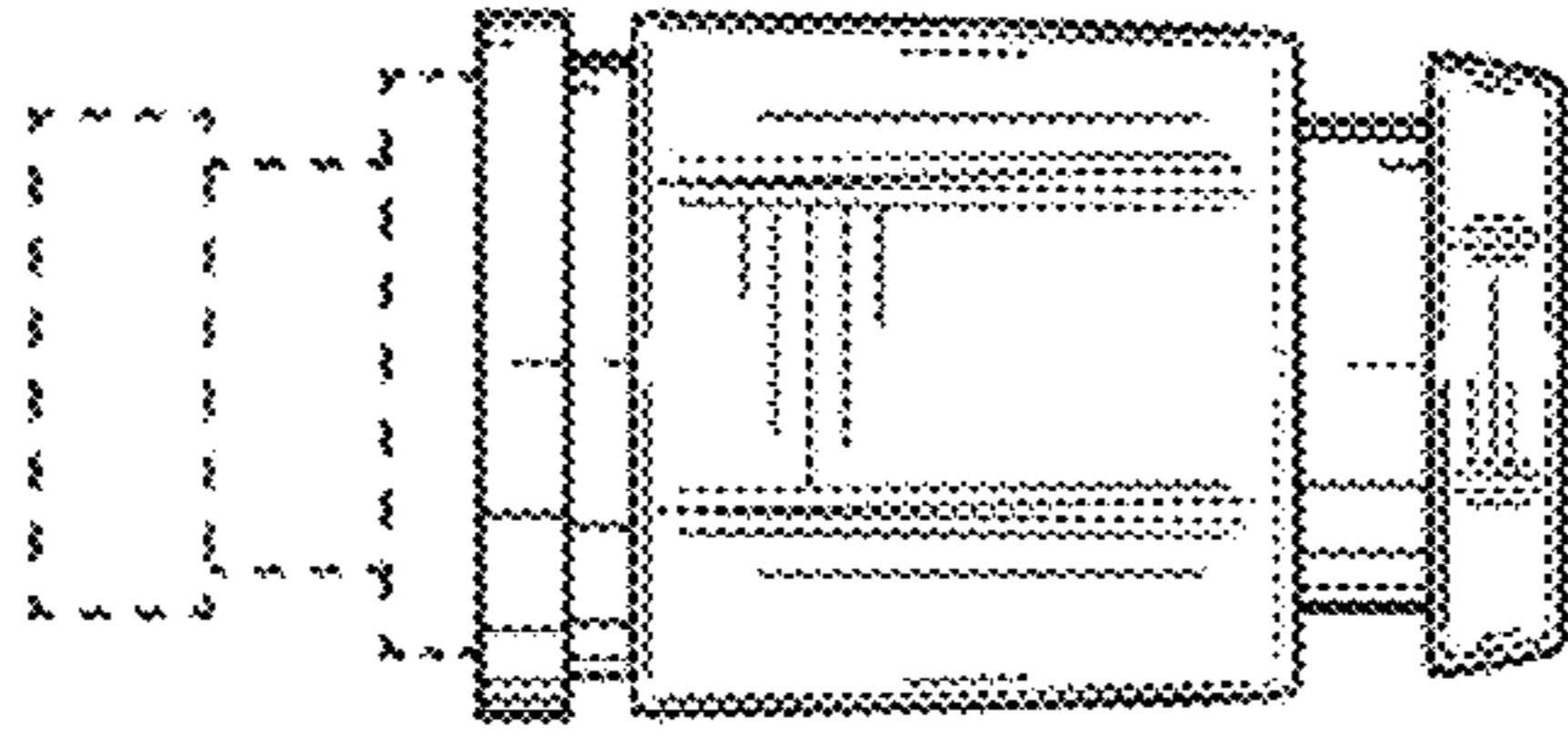


Fig. 5

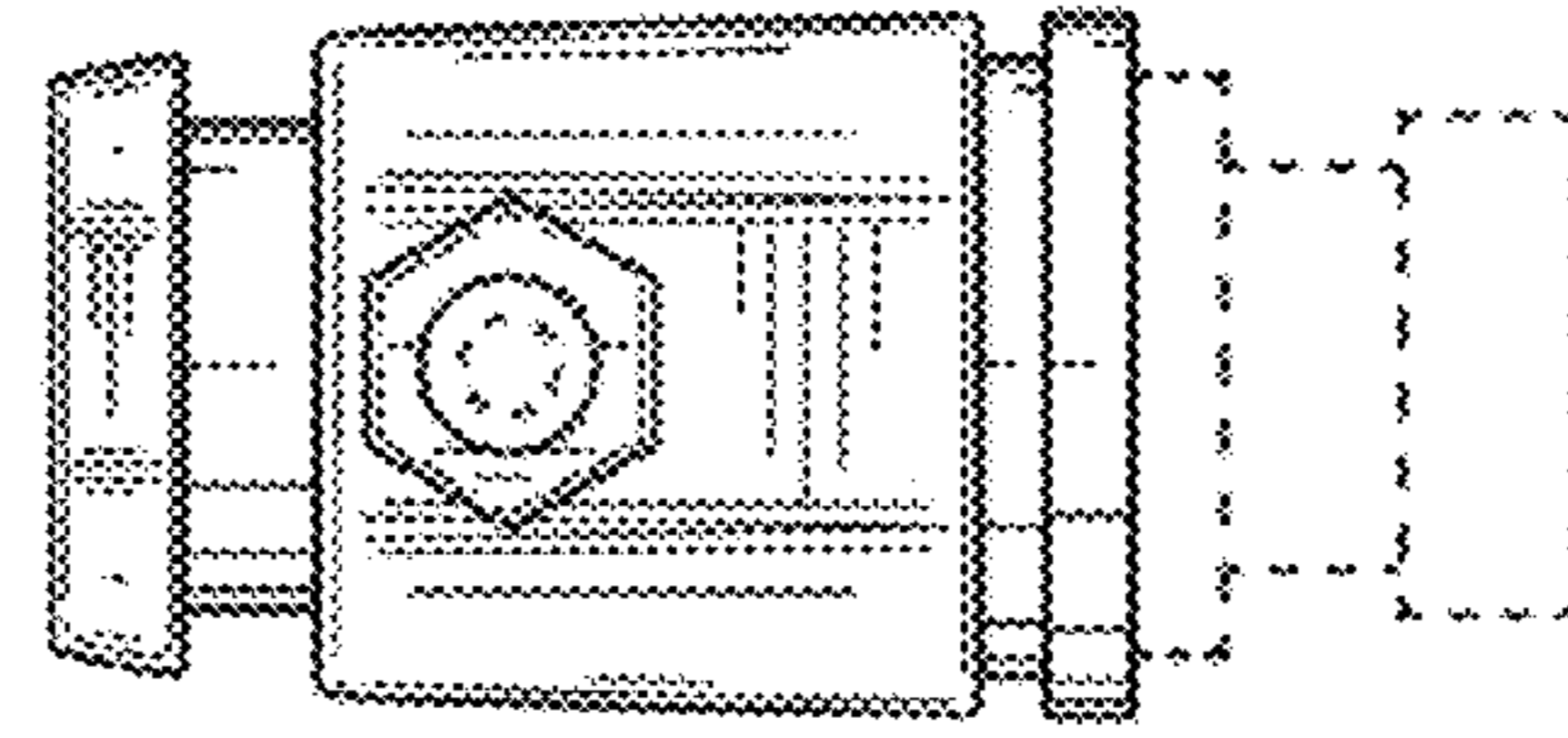


Fig. 6

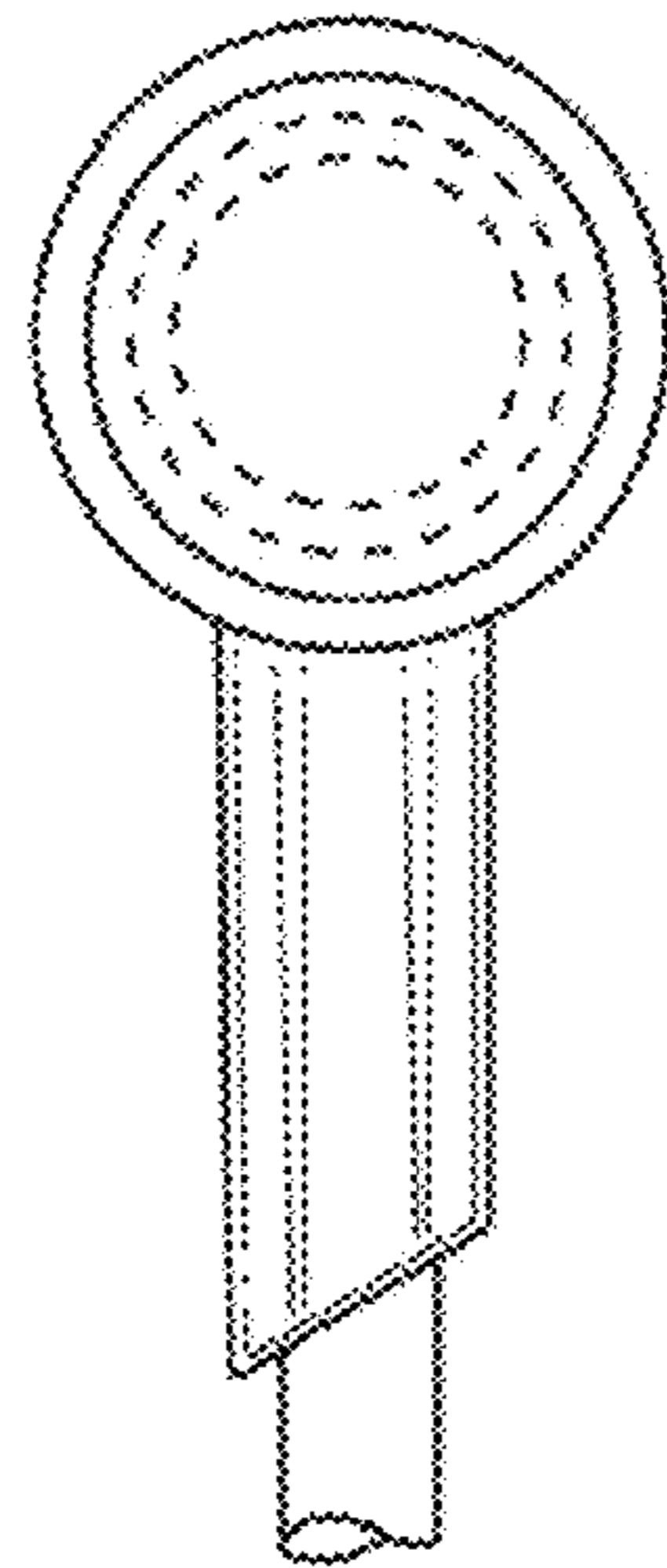


Fig. 7

