



US00D751520S

(12) **United States Design Patent**
Seo et al.

(10) **Patent No.:** **US D751,520 S**
(45) **Date of Patent:** **** Mar. 15, 2016**

(54) **TV RECEIVER**

(71) Applicant: **LG ELECTRONICS INC.**, Seoul (KR)

(72) Inventors: **Minji Seo**, Seoul (KR); **Byungmu Huh**,
Seoul (KR); **Sunguk Kim**, Seoul (KR);
Younsoo Kim, Seoul (KR)

(73) Assignee: **LG Electronics Inc.**, Seoul (KR)

(**) Term: **14 Years**

(21) Appl. No.: **29/509,044**

(22) Filed: **Nov. 13, 2014**

(30) **Foreign Application Priority Data**

May 14, 2014 (KR) 30-2014-0023878

(51) **LOC (10) Cl.** **14-03**

(52) **U.S. Cl.**
USPC **D14/126**

(58) **Field of Classification Search**

USPC D14/125-134, 239, 371, 136, 374-377,
D14/440, 450, 448, 336, 342, 159; 312/7.2;
348/836, 838, 180, 184, 325, 739;
248/917-924, 465; 345/104, 133, 156,
345/168, 87, 173; D21/329, 515, 577, 622,
D21/333, 433, 448, 452, 450, 331, 505;
D10/15, 26; 446/484, 175, 356;
D6/477, 479, 300

CPC ... G06F 1/1601; G06F 1/1643; H05K 5/0004;
H05K 5/0017; H05K 5/02; H05K 5/0217

See application file for complete search history.

(56) **References Cited**

U.S. PATENT DOCUMENTS

D694,726 S *	12/2013	Yamaguchi	D14/126
D695,701 S *	12/2013	Lee et al.	D14/126
D700,155 S *	2/2014	McManigal	D14/126
D710,321 S *	8/2014	Ray	D14/126
D724,042 S *	3/2015	Chang	D14/126
D728,497 S *	5/2015	Jung	D14/126
D738,339 S *	9/2015	Seo et al.	D14/126
D740,241 S *	10/2015	Kim et al.	D14/126

* cited by examiner

Primary Examiner — Raphael Barkai

(74) *Attorney, Agent, or Firm* — Birch, Stewart, Kolasch & Birch, LLP

(57) **CLAIM**

The ornamental design for a TV receiver, as shown and described.

DESCRIPTION

FIG. 1 is a front, right side, perspective view of a TV receiver showing our new design;

FIG. 2 is a front view thereof;

FIG. 3 is a rear view thereof;

FIG. 4 is a left side view thereof;

FIG. 5 is a right side view thereof;

FIG. 6 is a top view thereof;

FIG. 7 is a bottom view thereof; and,

FIG. 8 is a front, right side, perspective view with the TV receiver thereof.

The broken lines indicate unclaimed portion of the article that form no part of the claimed design.

1 Claim, 5 Drawing Sheets

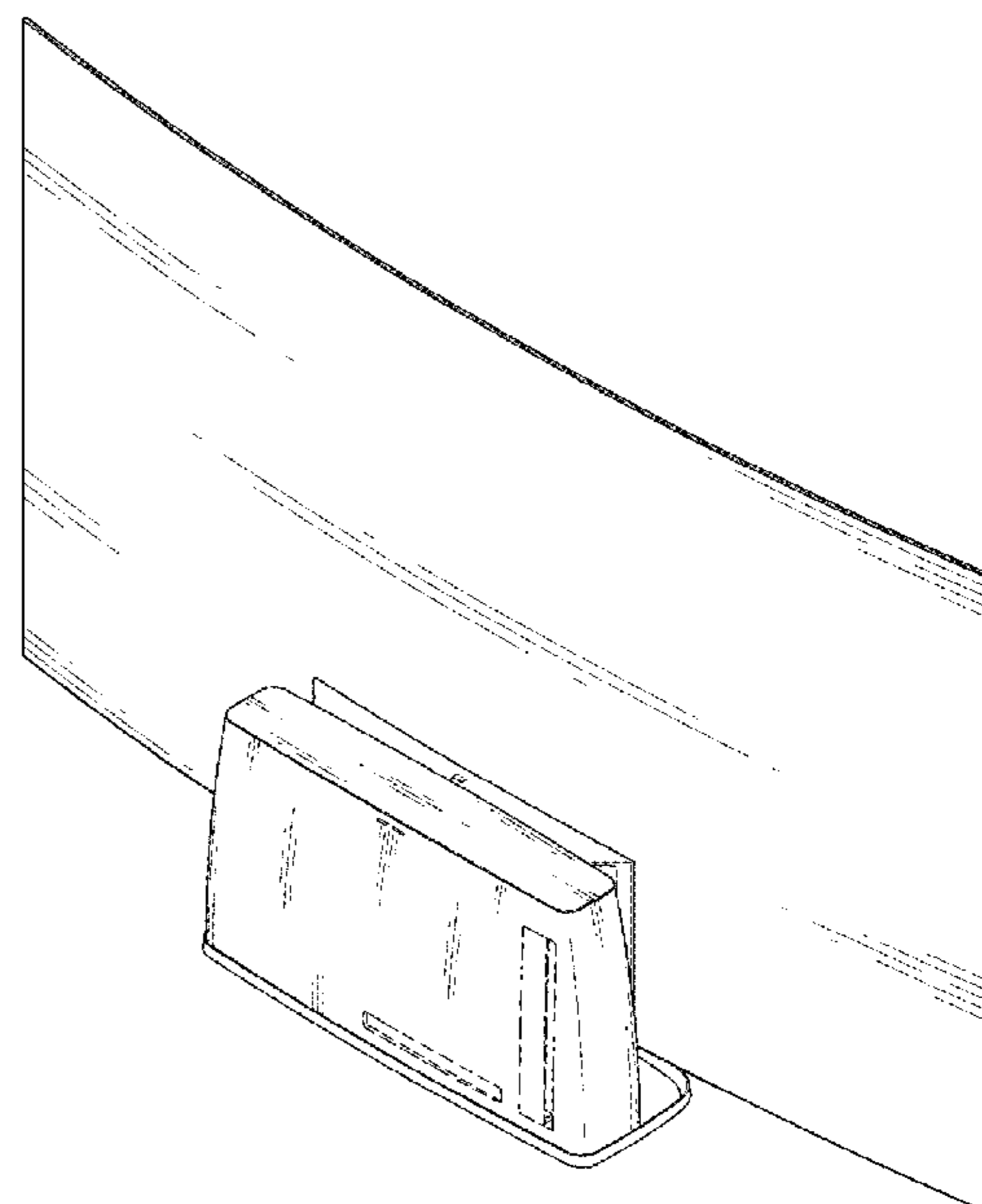
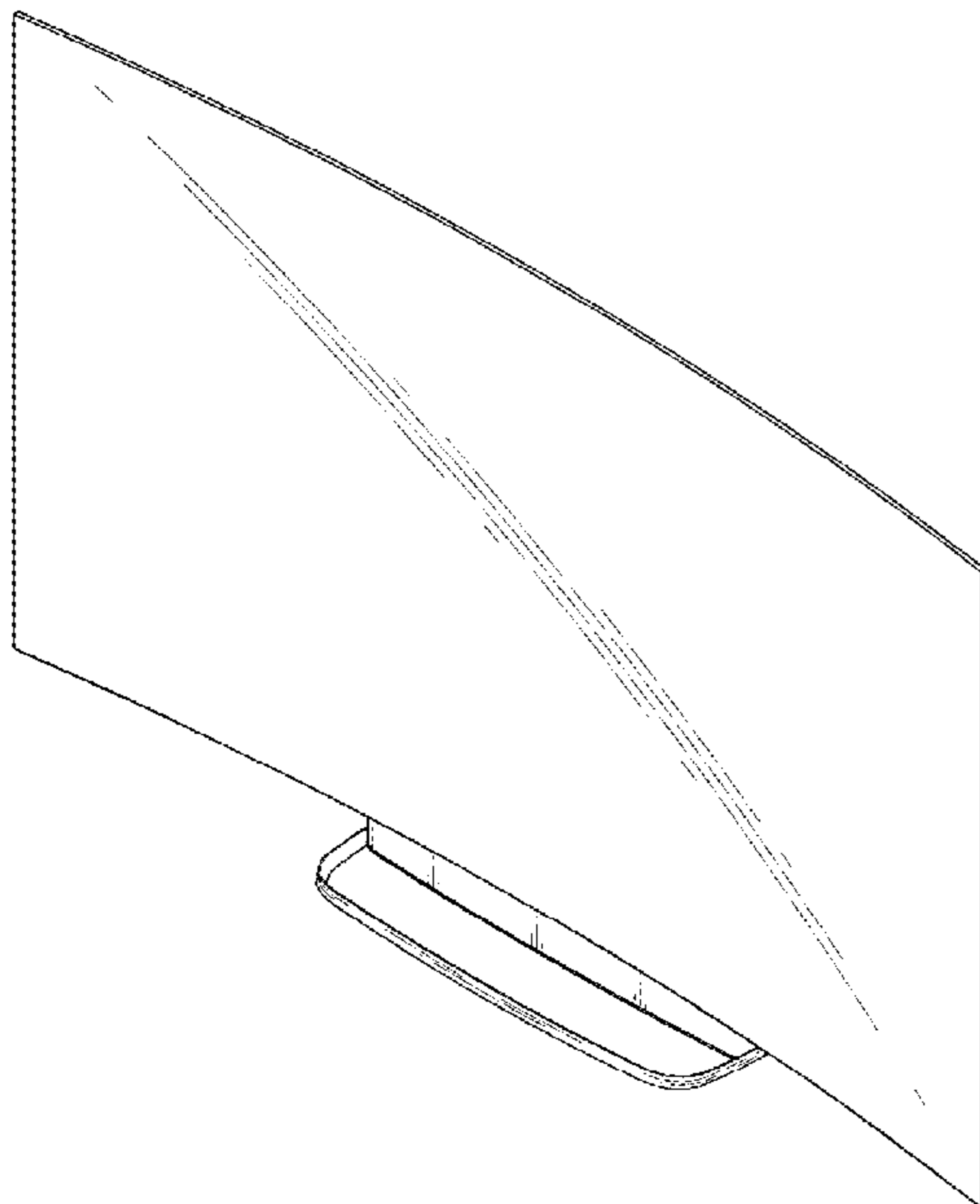


FIG. 1

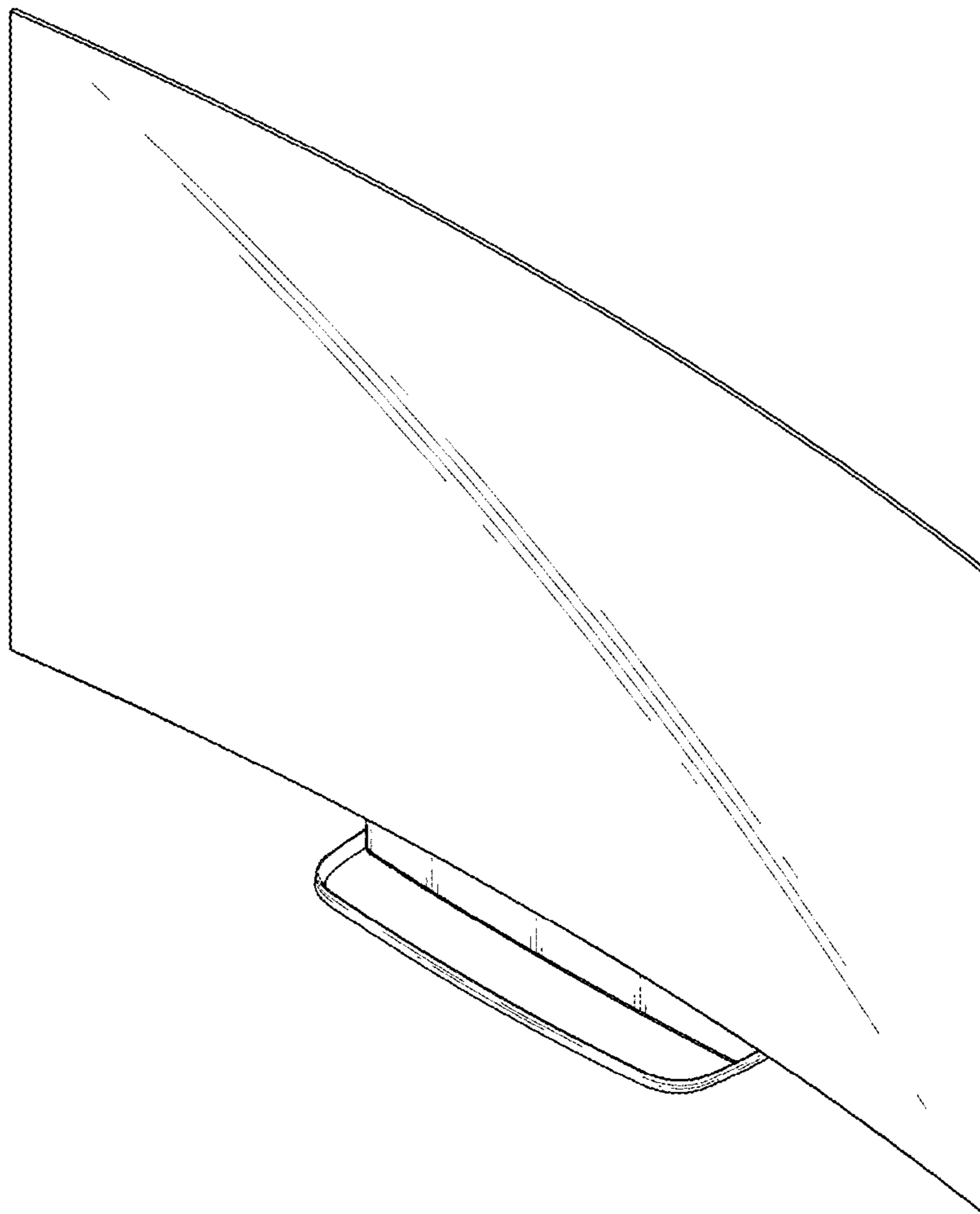


FIG. 2

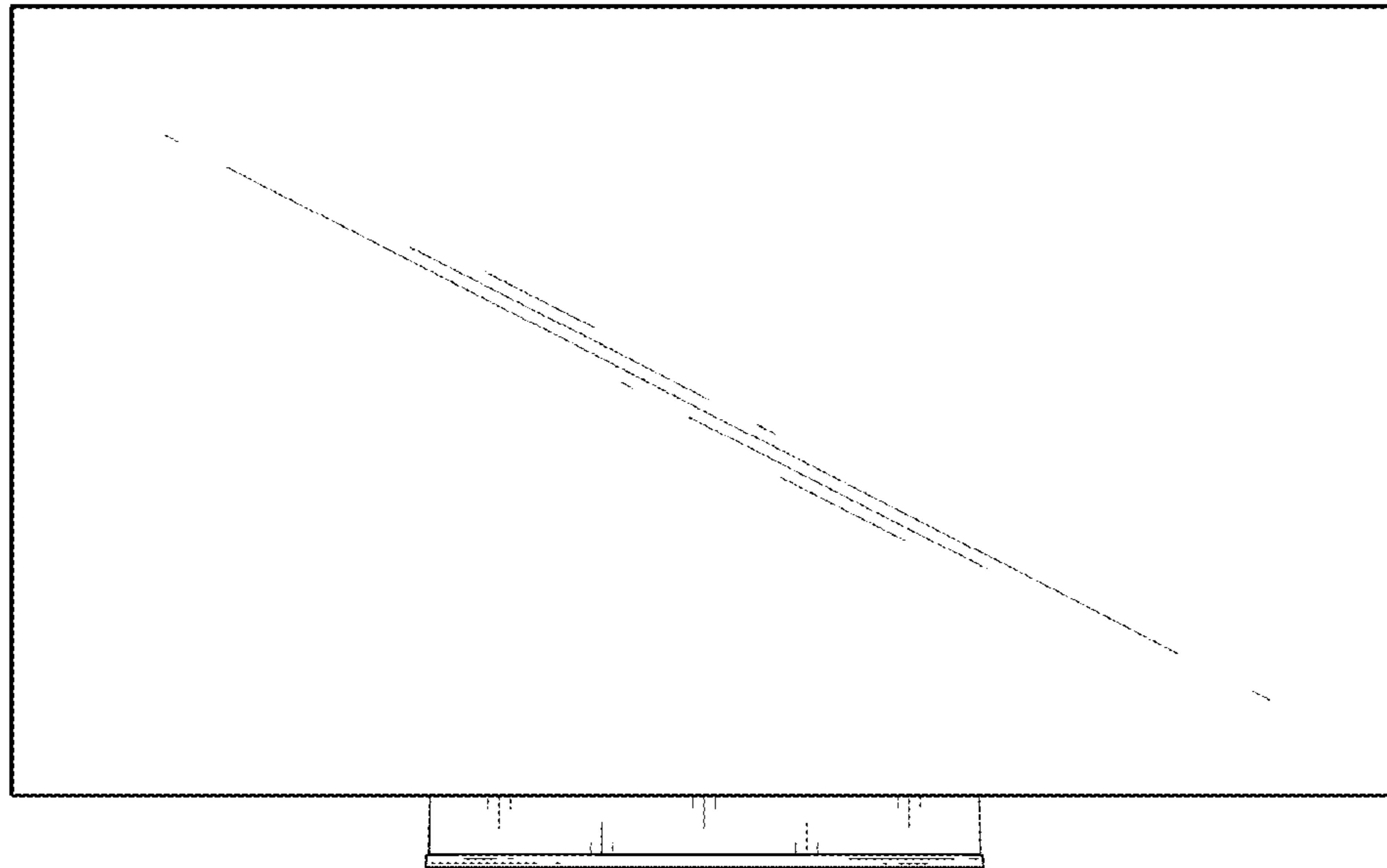


FIG. 3

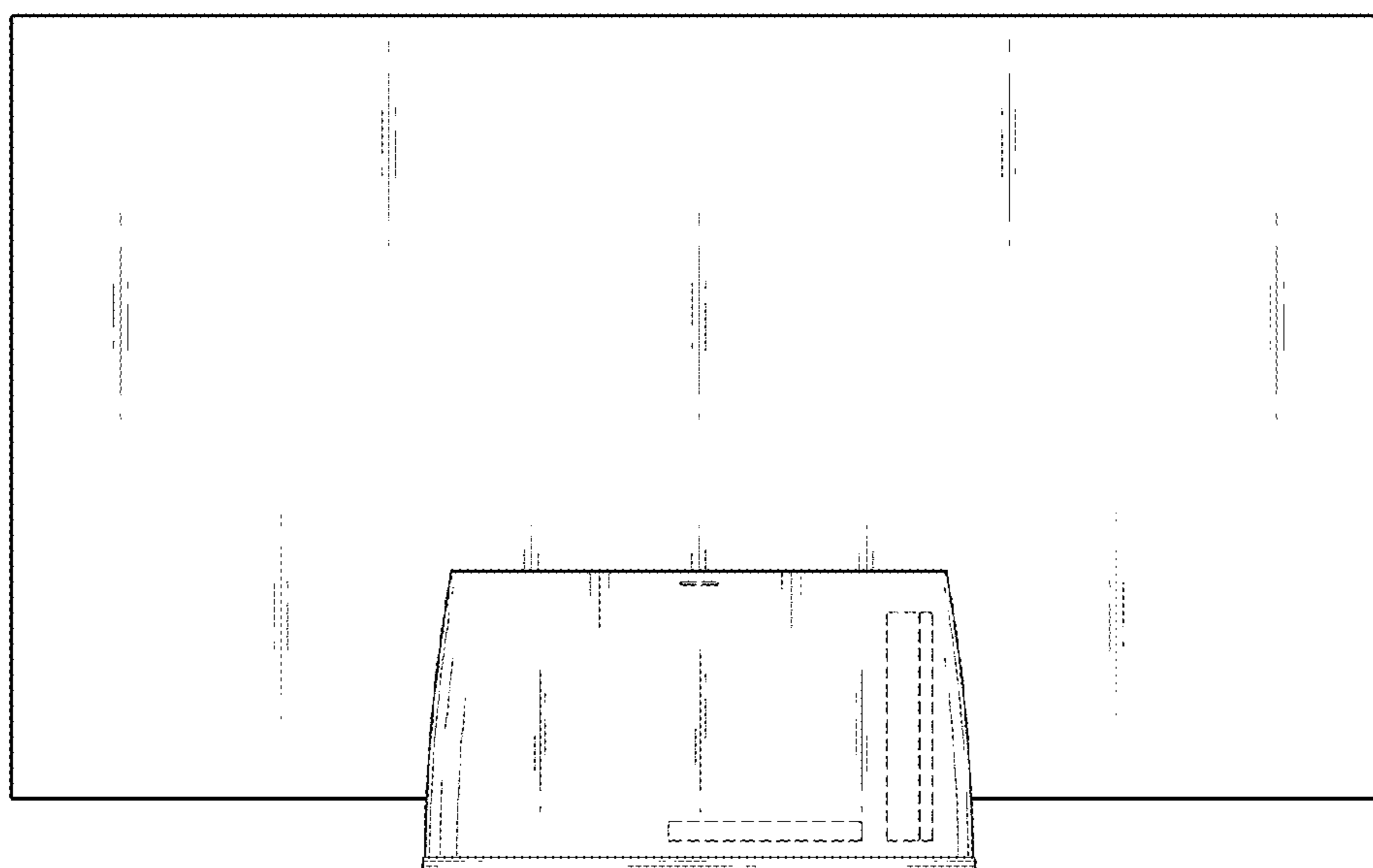


FIG. 4

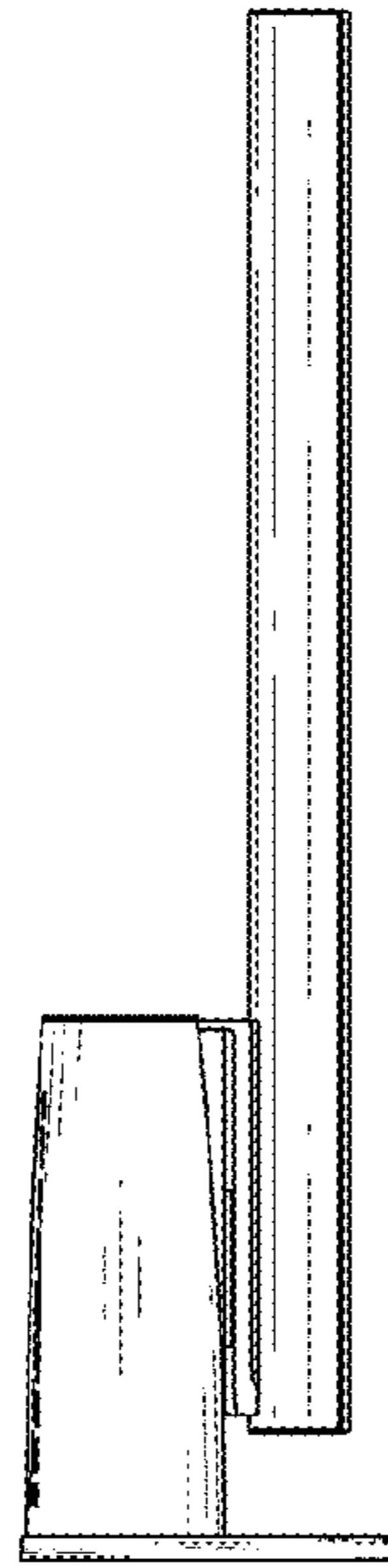


FIG. 5

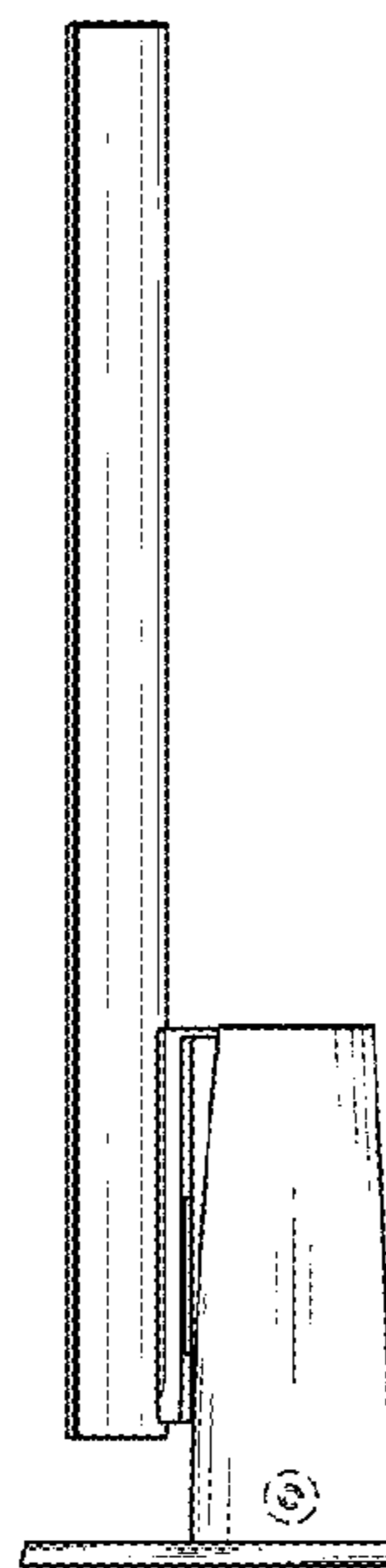


FIG. 6

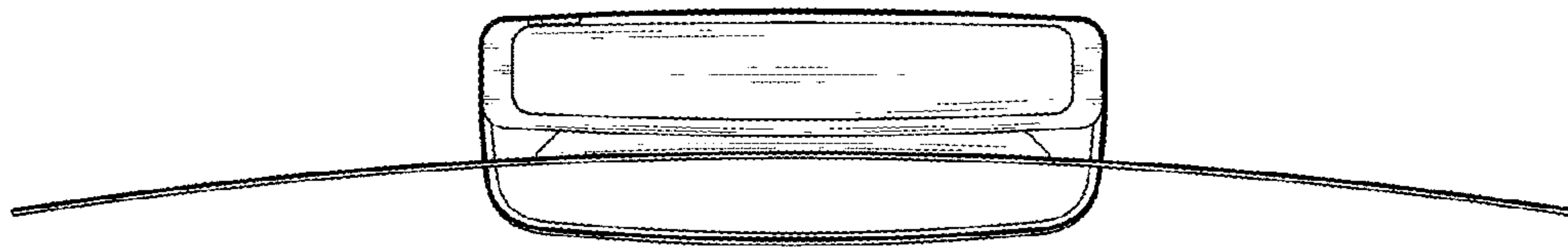


FIG. 7

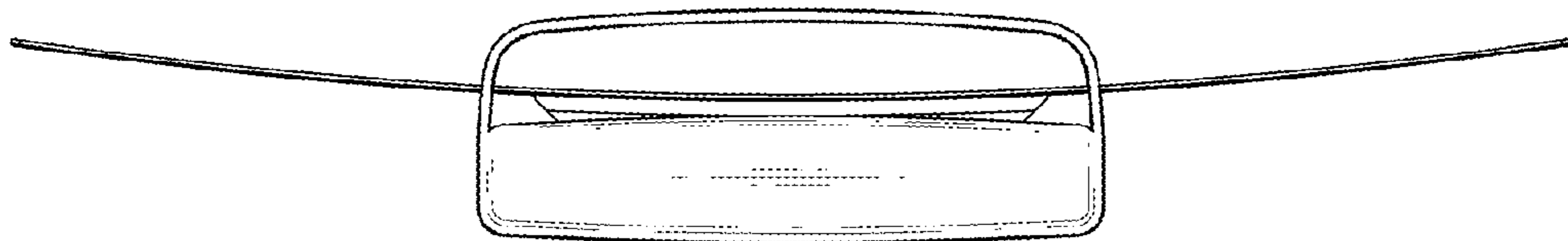


FIG. 8

