



US00D751518S

(12) **United States Design Patent**
Zuege

(10) **Patent No.:** **US D751,518 S**

(45) **Date of Patent:** **** Mar. 15, 2016**

(54) **TELEVISION RECEIVER**

(56) **References Cited**

(71) Applicant: **FUNAI ELECTRIC CO., LTD.**, Osaka
(JP)

U.S. PATENT DOCUMENTS

(72) Inventor: **Bradford Zuege**, Daito (JP)

D620,461 S *	7/2010	Han et al.	D14/126
D640,653 S *	6/2011	Takami	D14/126
D643,389 S *	8/2011	Lee et al.	D14/126
D654,446 S *	2/2012	Choi et al.	D14/126
D655,265 S *	3/2012	Ann et al.	D14/126
D656,913 S *	4/2012	Ann et al.	D14/126
D657,324 S *	4/2012	Lee et al.	D14/126
D658,176 S *	4/2012	Lee et al.	D14/374
D658,613 S *	5/2012	Lee et al.	D14/126
D670,256 S *	11/2012	Kim et al.	D14/126
D689,454 S *	9/2013	Shih	D14/126
D692,403 S *	10/2013	Takami et al.	D14/126
D709,467 S *	7/2014	Jiang et al.	D14/126
D714,289 S *	9/2014	Shoda et al.	D14/371

(73) Assignee: **FUNAI ELECTRIC CO., LTD.**, Osaka
(JP)

(**) Term: **14 Years**

(21) Appl. No.: **29/441,611**

(22) Filed: **Jan. 8, 2013**

* cited by examiner

(30) **Foreign Application Priority Data**

Aug. 28, 2012 (JP) 2012-020655

Primary Examiner — Robert M Spear

Assistant Examiner — Eliza Bennett-Hattan

(51) **LOC (10) Cl.** **14-03**

(74) *Attorney, Agent, or Firm* — Sughrue Mion, PLLC

(52) **U.S. Cl.**
USPC **D14/126**

(57) **CLAIM**

The ornamental design for a television receiver, as shown and described.

(58) **Field of Classification Search**
USPC D14/126, 127, 128, 129, 239, 371, 136,
D14/341, 375; 312/7.2; 348/836, 838, 180,
348/184, 325, 739; 341/12; 248/917-924,
248/465; 345/104, 133, 156, 168, 87, 173;
720/605, 600, 655; 455/347;
273/148 B; 229/926, 904, 74, 80.5;
D20/11, 17, 27, 39, 40; D6/300;
D9/600, 430
CPC H04N 21/42224; H04N 2005/443;
H04N 21/4122; H04N 21/41407; H04N
21/4222; H04N 21/43615; H04N 21/43635;
H04N 5/4403; H04N 5/64; H04N 5/655;
H04N 5/645; H04N 7/00

DESCRIPTION

FIG. 1 is a perspective view of the rear, top and left side of a television receiver showing my (our) new design;
FIG. 2 is a front view thereof;
FIG. 3 is a rear view thereof;
FIG. 4 is a left side view thereof;
FIG. 5 is a right side view thereof;
FIG. 6 is a top plan view thereof; and,
FIG. 7 is a bottom view thereof, where an internal mechanism of the television receiver is omitted.
The portions of the article in broken lines form no part of the claimed design.

See application file for complete search history.

1 Claim, 3 Drawing Sheets

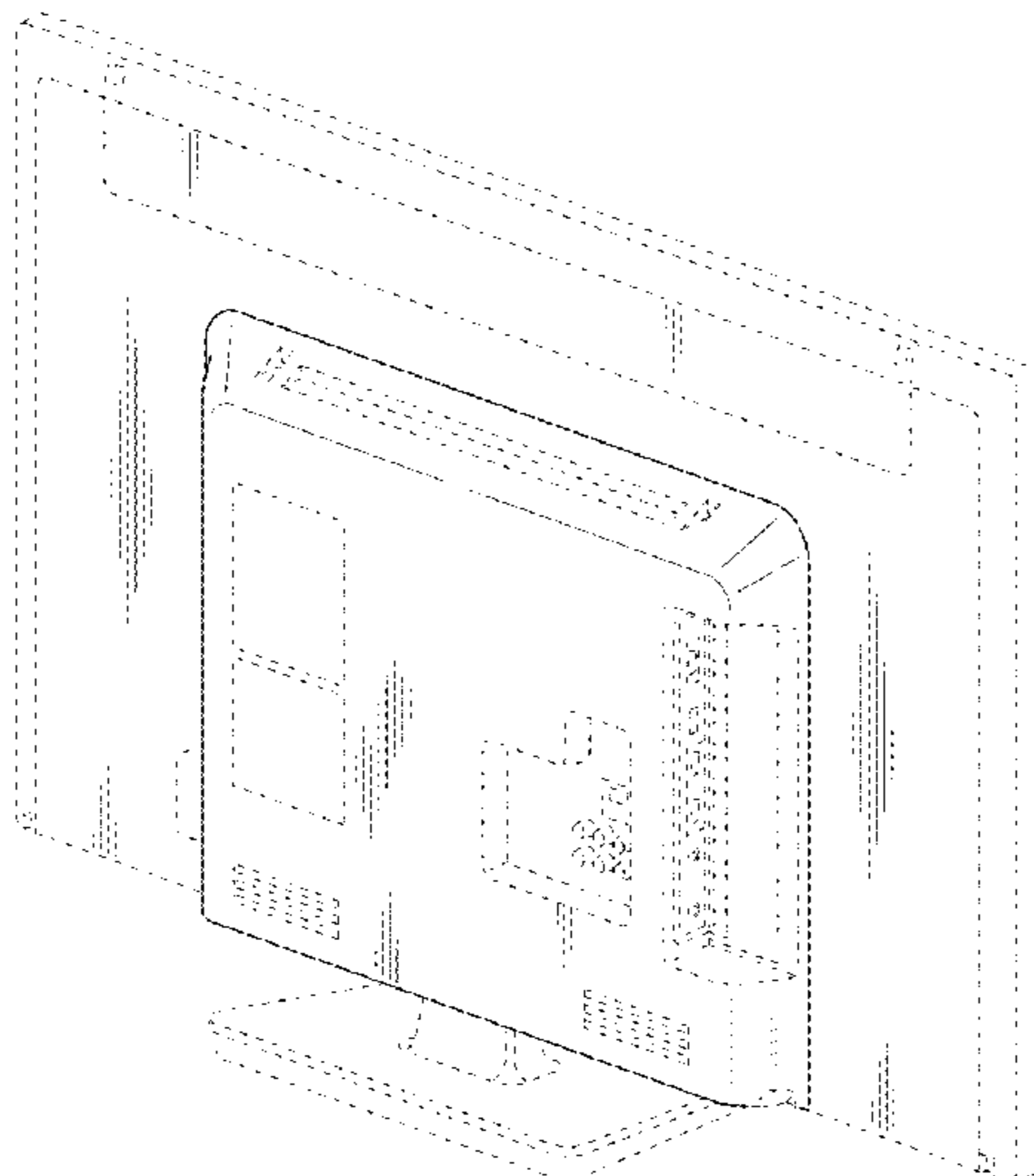


Fig. 1

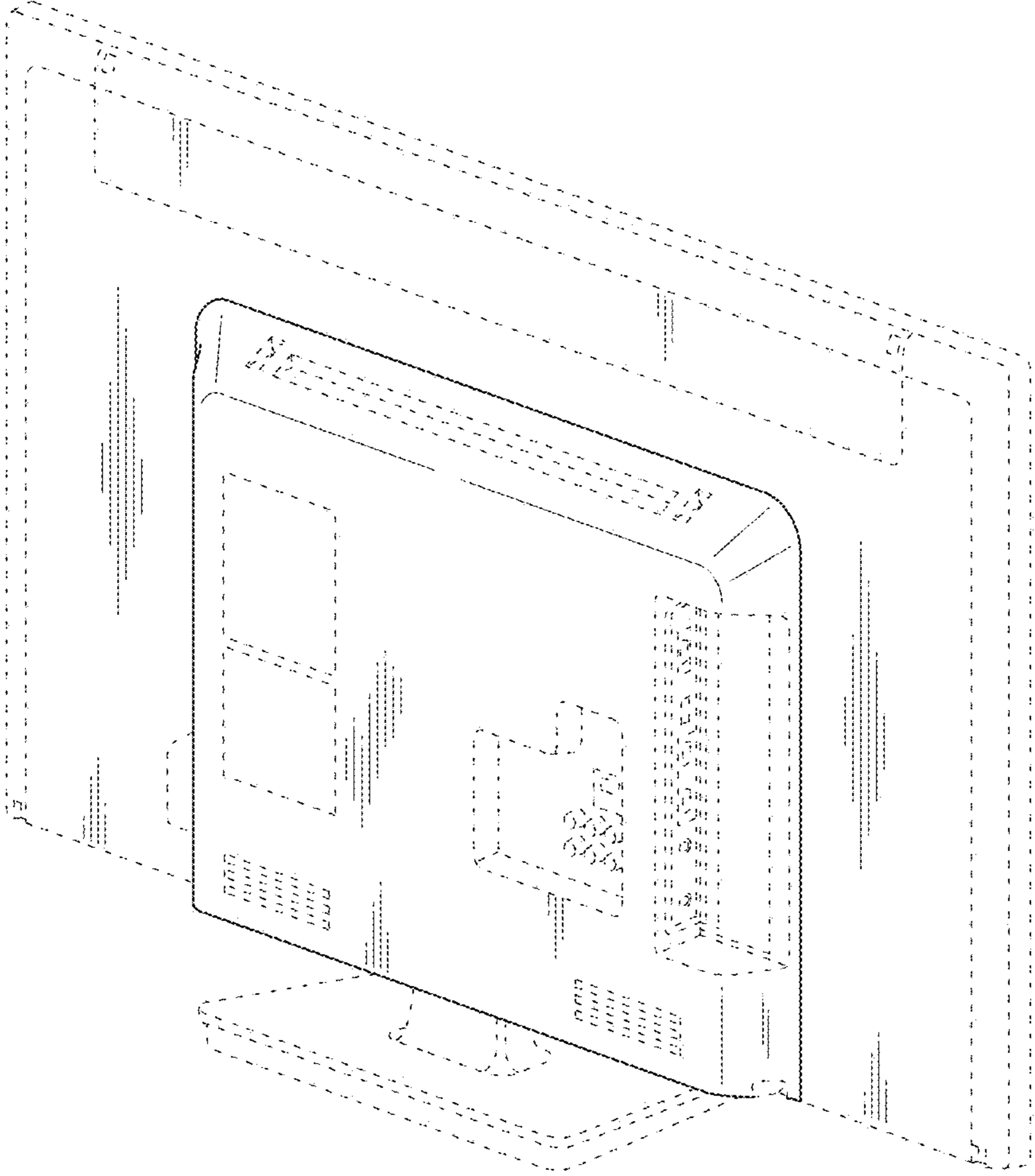


Fig. 2



Fig. 3

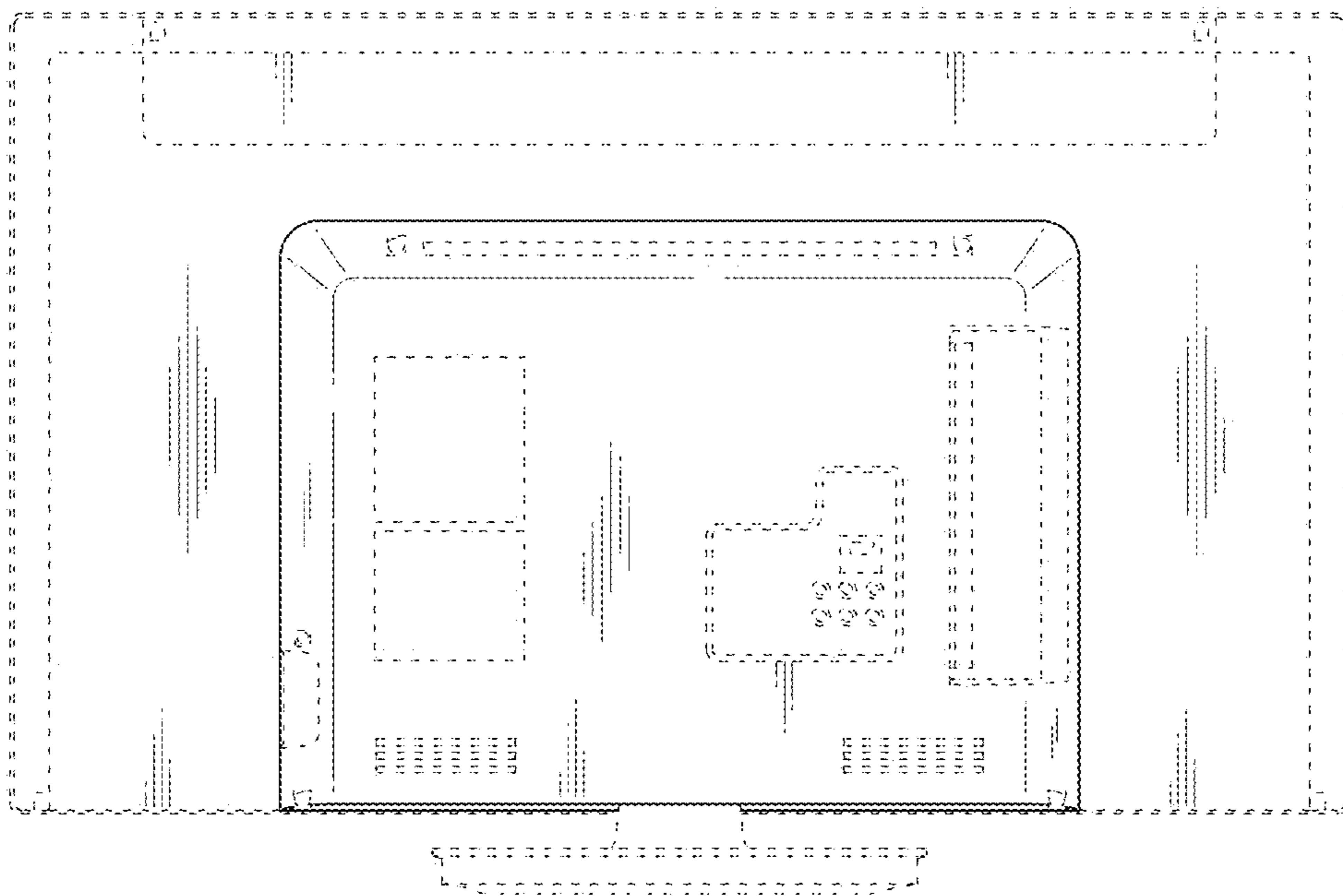


Fig. 4

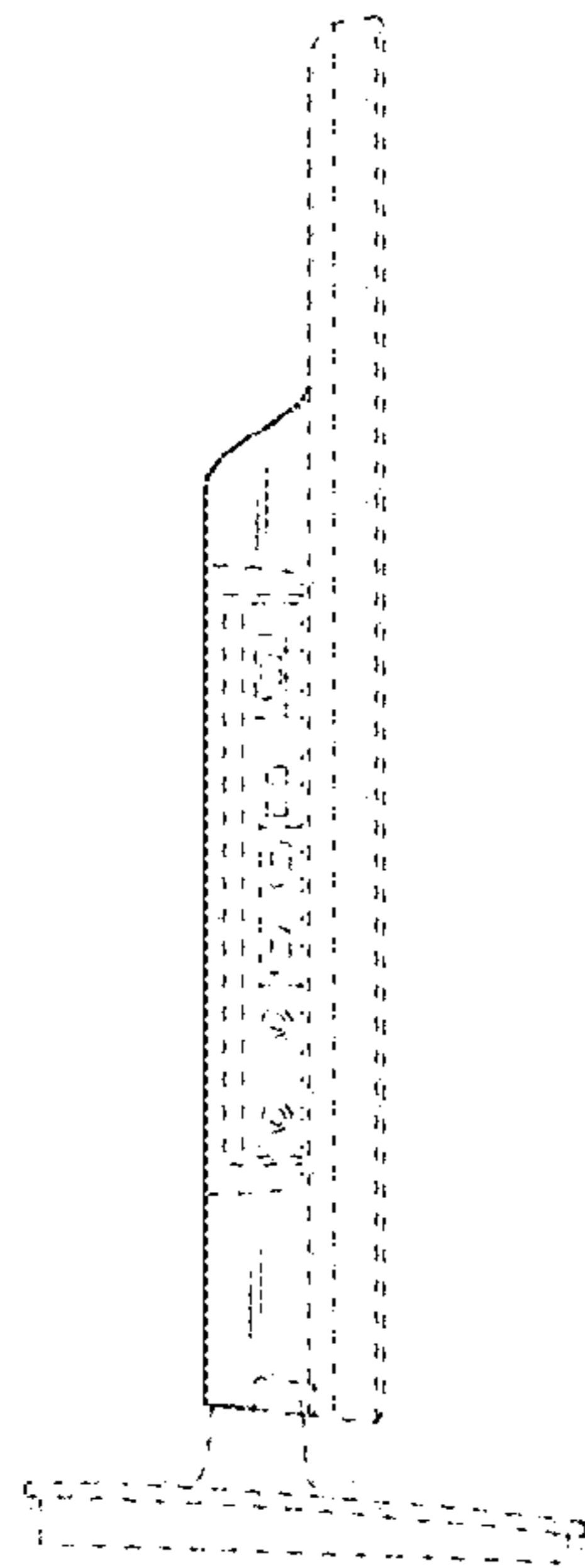


Fig. 5

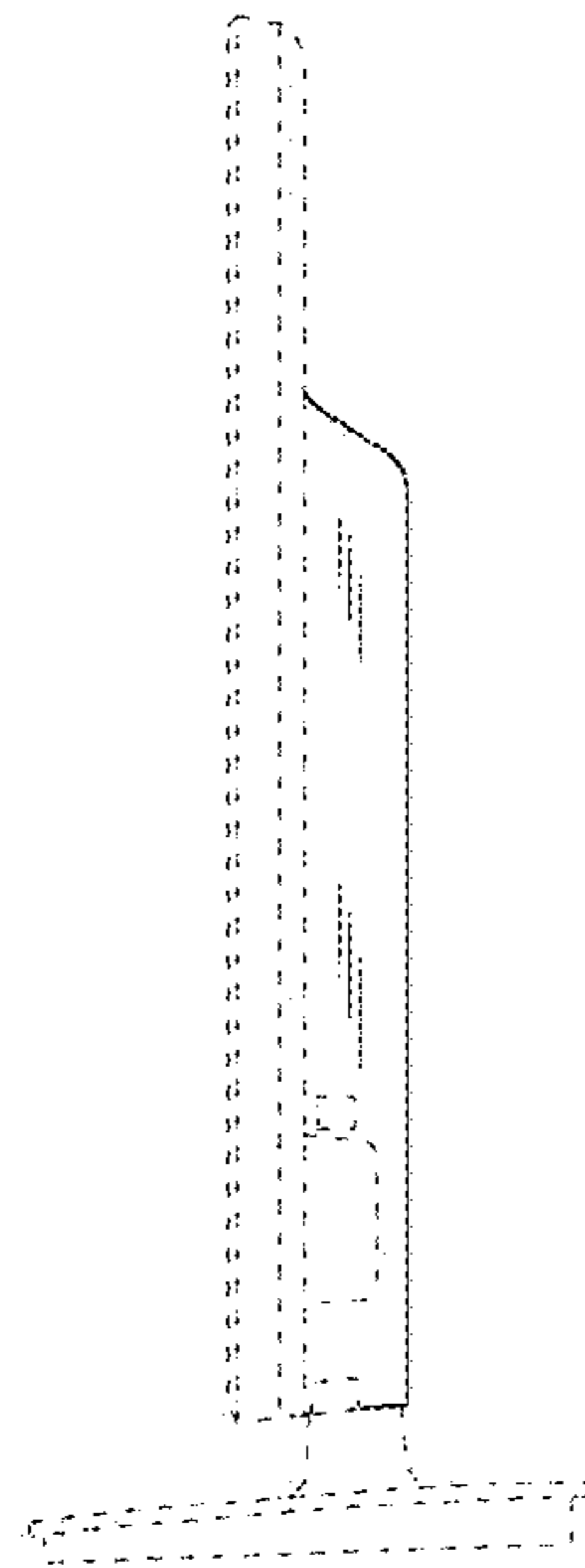


Fig. 6

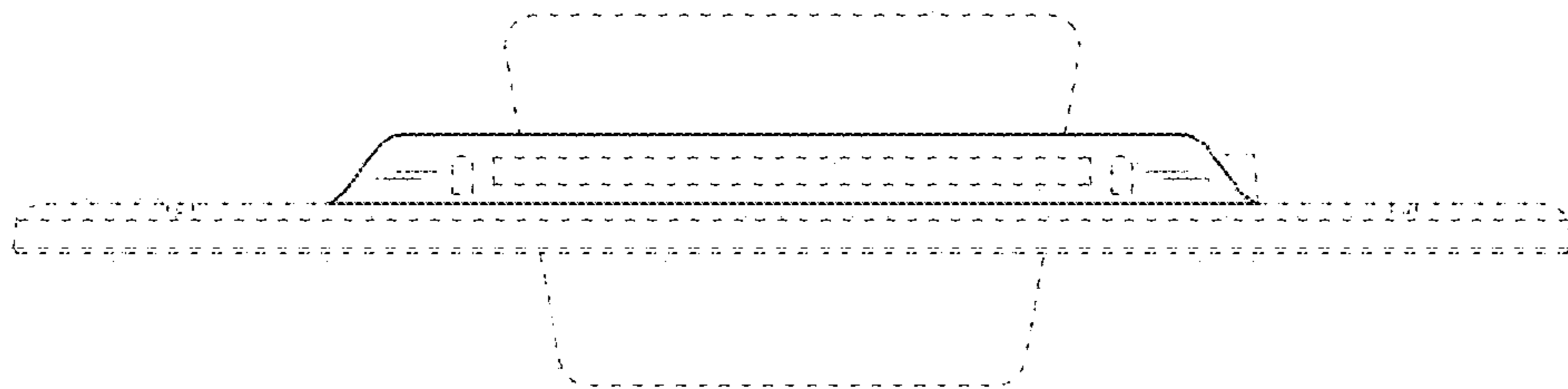


Fig. 7

