



US00D751514S

(12) **United States Design Patent**
Brach

(10) **Patent No.:** **US D751,514 S**
(45) **Date of Patent:** **** Mar. 15, 2016**

(54) **USB WALL PLATE WITH VOLUME CONTROL**

(71) Applicant: **Abraham Brach**, Brooklyn, NY (US)

(72) Inventor: **Abraham Brach**, Brooklyn, NY (US)

(73) Assignee: **SOUND AROUND, INC.**, Brooklyn, NY (US)

(**) Term: **14 Years**

(21) Appl. No.: **29/492,012**

(22) Filed: **May 28, 2014**

(51) **LOC (10) Cl.** **13-03**

(52) **U.S. Cl.**
USPC **D13/162**

(58) **Field of Classification Search**
USPC D13/125, 139.1, 152, 162, 164, 171
CPC H01H 19/00; H01H 19/04; H01H 3/12;
H01H 2221/01; H03G 3/02; H02G 3/02;
H02G 3/081; H02G 3/10; H02G 3/116;
H02G 3/14; H02G 3/18; H01R 13/14; H01R
13/518; H01R 13/60; H01R 13/665; H01R
13/743; H01R 31/06; H01R 31/065
See application file for complete search history.

(56) **References Cited**

U.S. PATENT DOCUMENTS

D287,005	S	*	12/1986	Newton	D13/162
D356,567	S	*	3/1995	Jones	D13/162
5,599,190	A	*	2/1997	Willette	439/49
D381,313	S	*	7/1997	Krajci et al.	D13/125
D432,995	S	*	10/2000	Hubler et al.	D13/162
D473,851	S	*	4/2003	Krajci et al.	D13/162
6,793,524	B2	*	9/2004	Clark et al.	439/536
D561,118	S	*	2/2008	Ni	D13/171
D563,908	S	*	3/2008	Kohler et al.	D13/171

7,374,454	B1	*	5/2008	Wang	439/536
D574,332	S	*	8/2008	Filban et al.	D13/162
7,540,768	B1	*	6/2009	Wang	439/536
7,559,795	B2	*	7/2009	Byrne	439/536
7,683,257	B1	*	3/2010	Shotey et al.	174/66
7,741,562	B2	*	6/2010	Crottinger et al.	174/66
7,915,529	B2	*	3/2011	Crottinger et al.	174/66
7,997,925	B2	*	8/2011	Lam et al.	439/535
8,072,779	B1	*	12/2011	Haberek	361/825
8,384,241	B2	*	2/2013	Chen et al.	307/11
D693,311	S	*	11/2013	Biller et al.	D13/151
8,610,313	B2	*	12/2013	Makwinski	307/122
8,758,031	B2	*	6/2014	Cheng et al.	439/107
D720,303	S	*	12/2014	Fischer	D13/162
D730,835	S	*	6/2015	Murphy et al.	D13/139.1
2002/0142650	A1	*	10/2002	Clark et al.	439/536
2007/0037442	A1	*	2/2007	Sullivan et al.	439/535
2008/0012423	A1	*	1/2008	Mimran	307/11
2012/0052716	A1	*	3/2012	Wang et al.	439/389

* cited by examiner

Primary Examiner — Selina Sikder

(74) *Attorney, Agent, or Firm* — Ostrolenk Faber LLP

(57) **CLAIM**

The ornamental design for USB wall plate with volume control, as shown and described.

DESCRIPTION

FIG. 1 is a perspective of the USB wall plate with volume control of the present invention.

FIG. 2 is a front elevation view of the invention.

FIG. 3 is a rear elevation view of the invention.

FIG. 4 is a left side view of the invention.

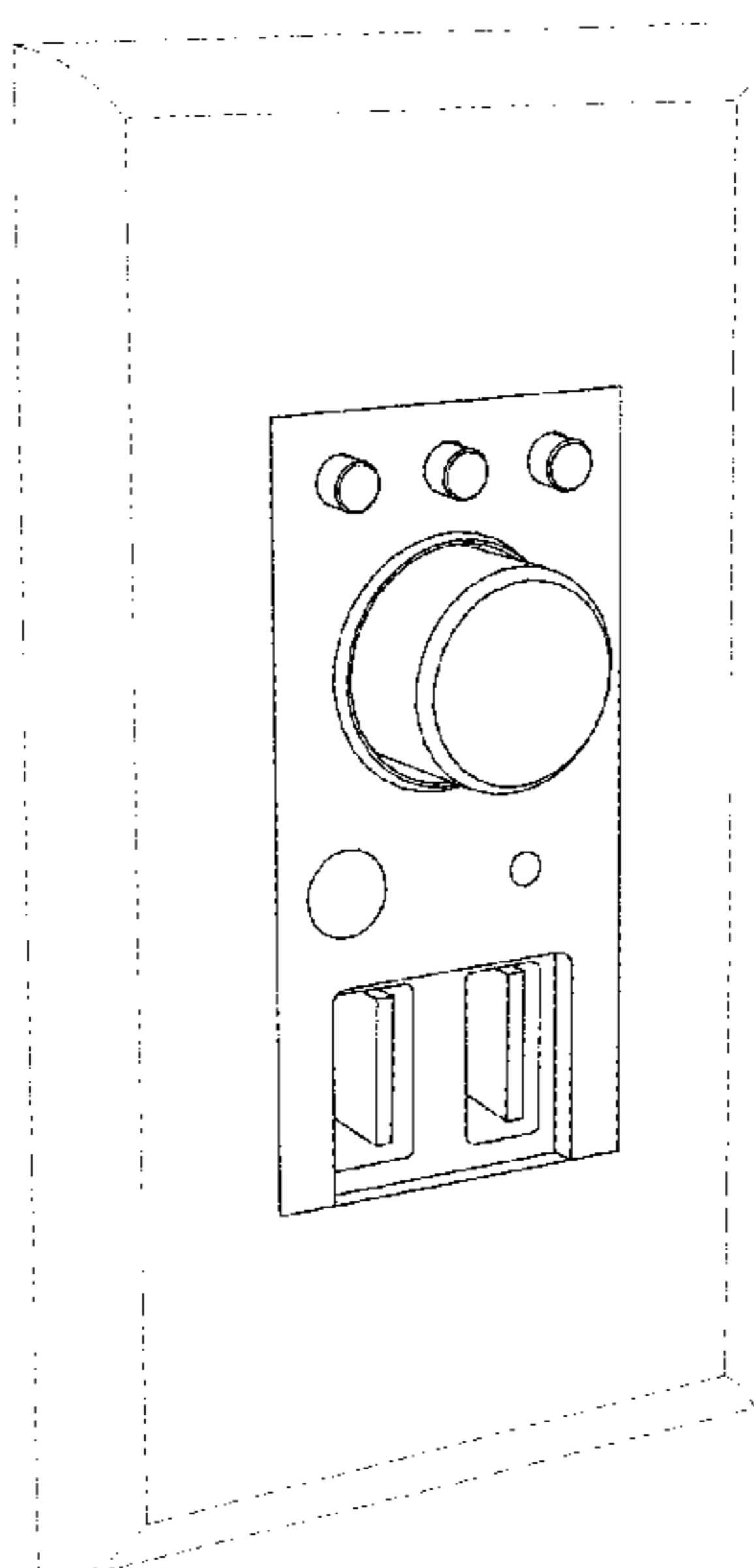
FIG. 5 is a right side view of the invention.

FIG. 6 is a top view of the invention; and,

FIG. 7 is a bottom view of the invention.

The broken lines on the drawings show the visible environmental structure but are not part of the claimed design.

1 Claim, 3 Drawing Sheets



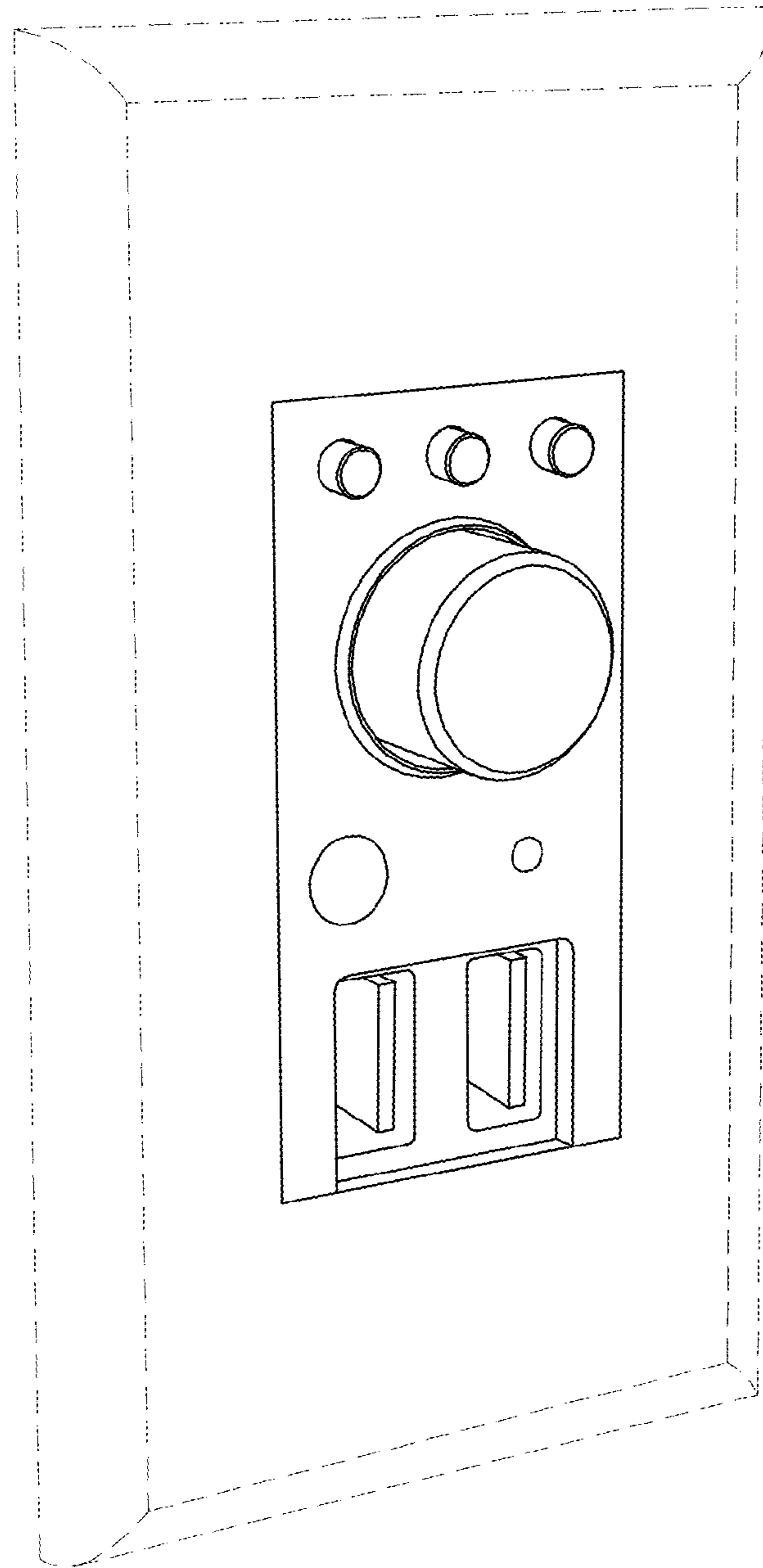


FIG. 1

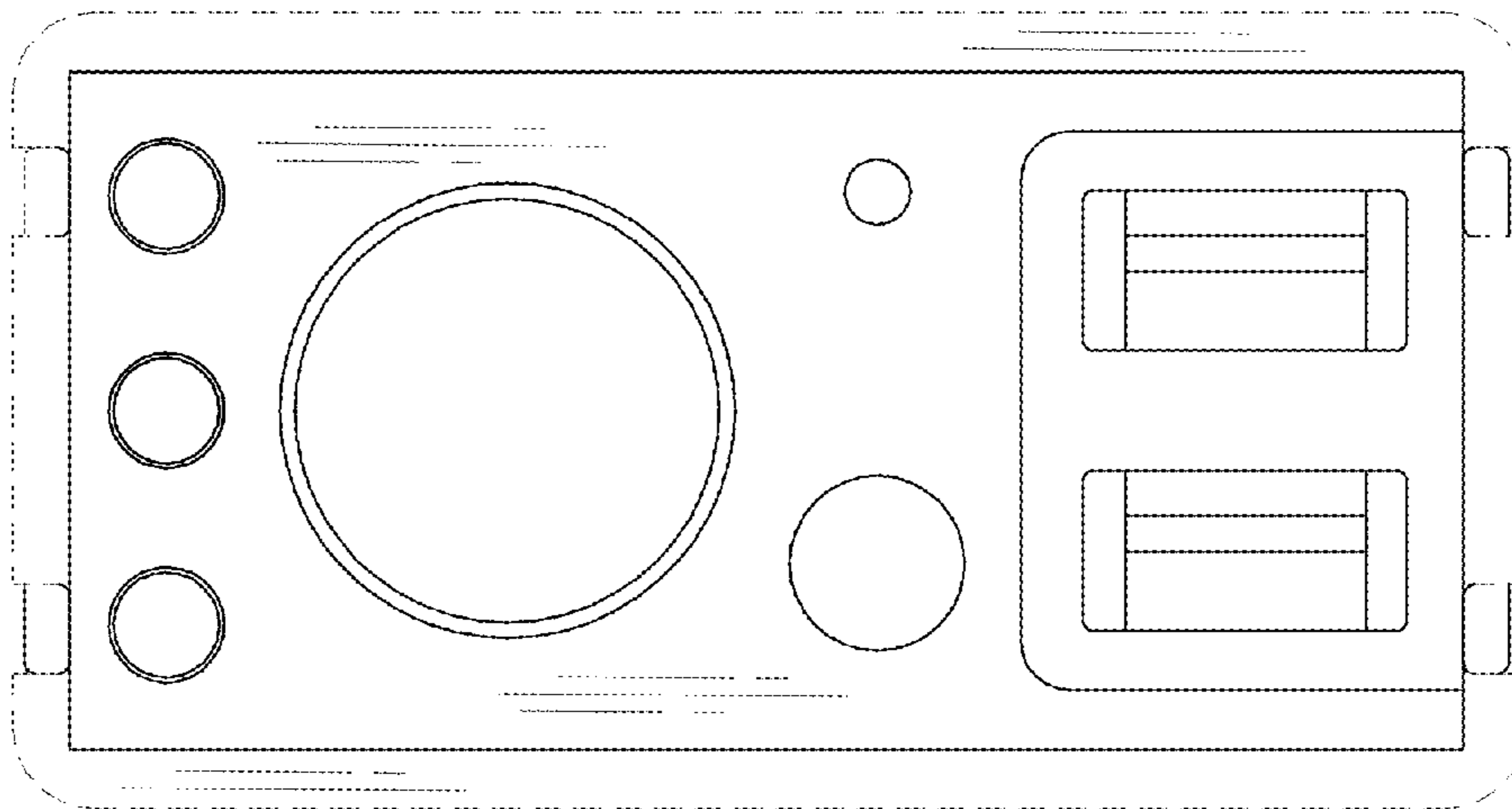


FIG. 2

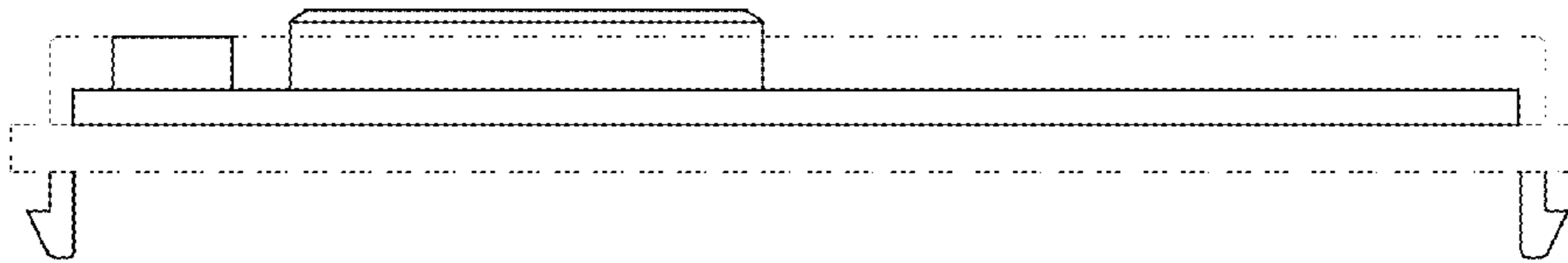


FIG. 4

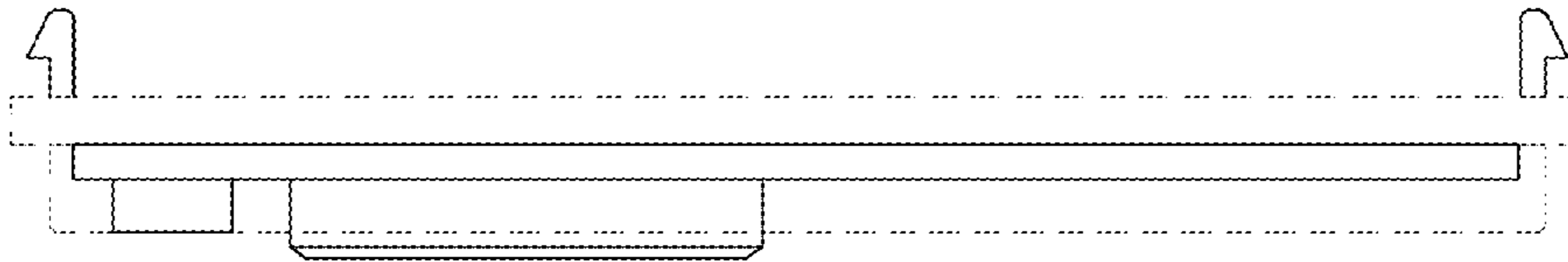


FIG. 5

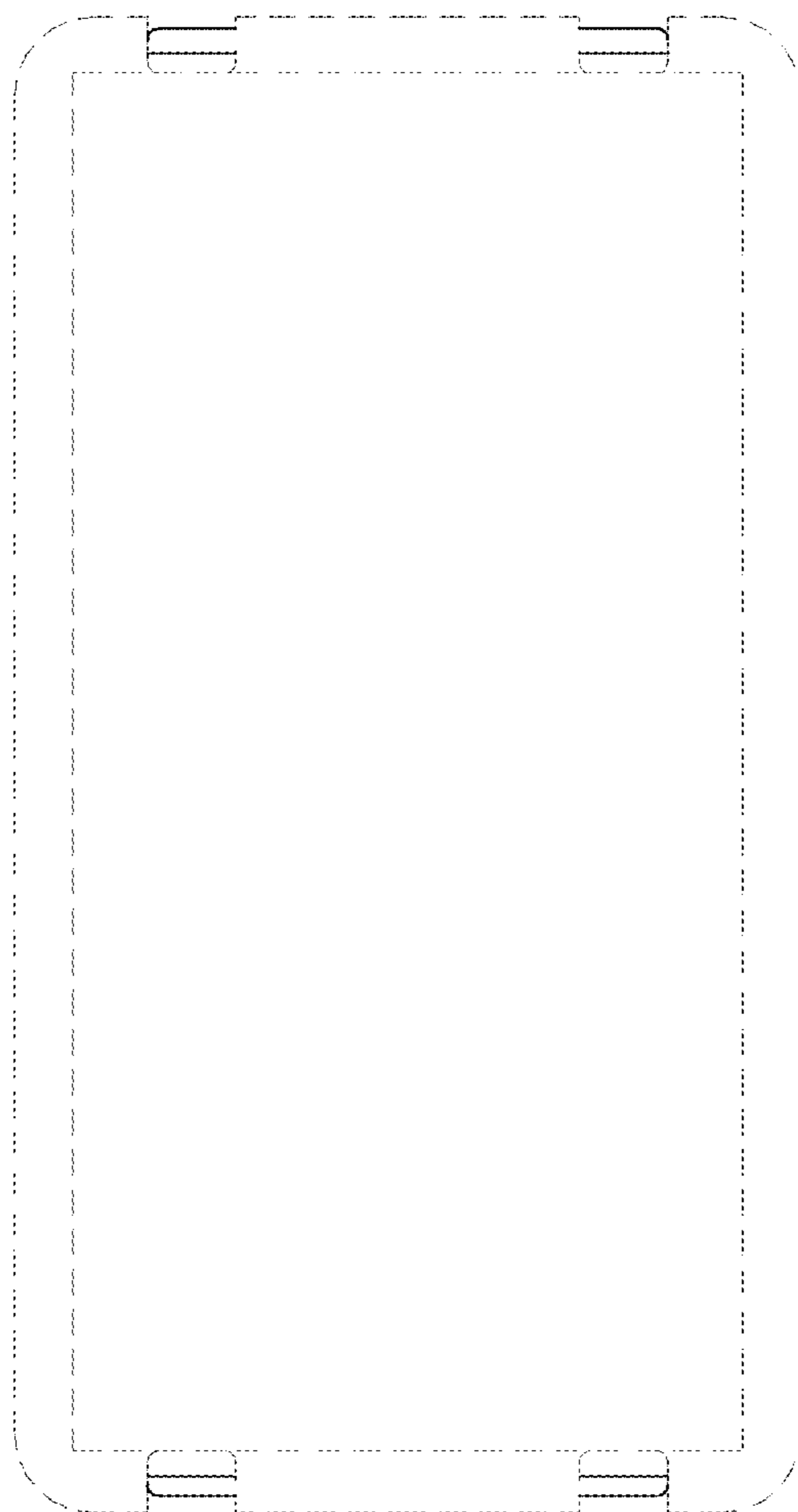


FIG. 3

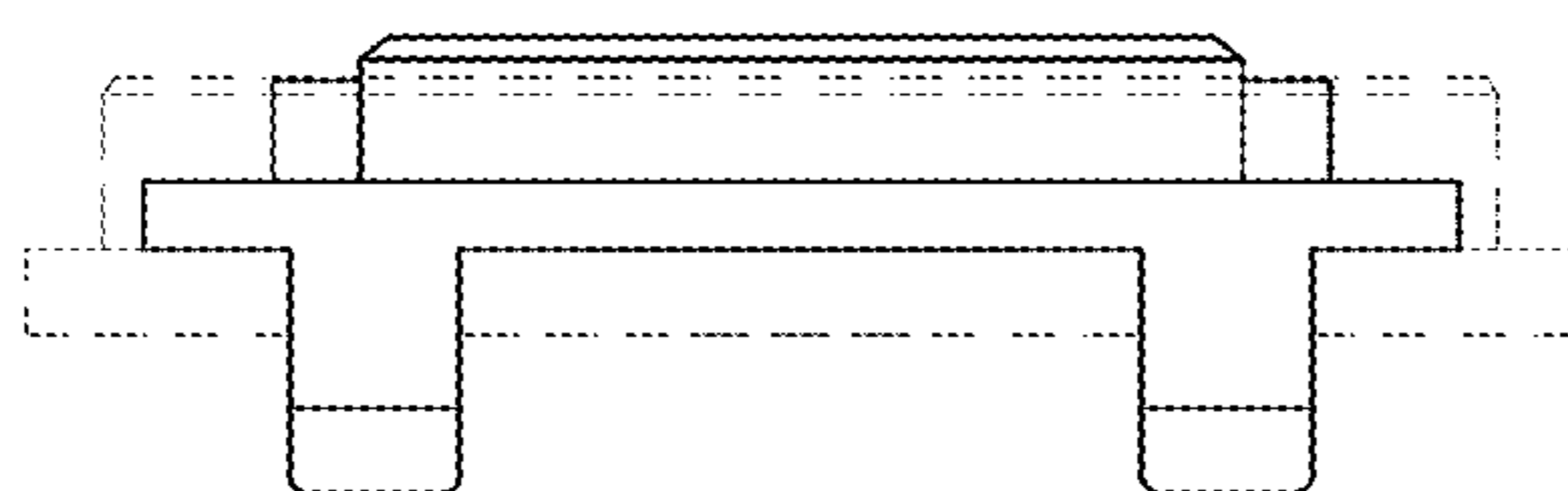


FIG. 6

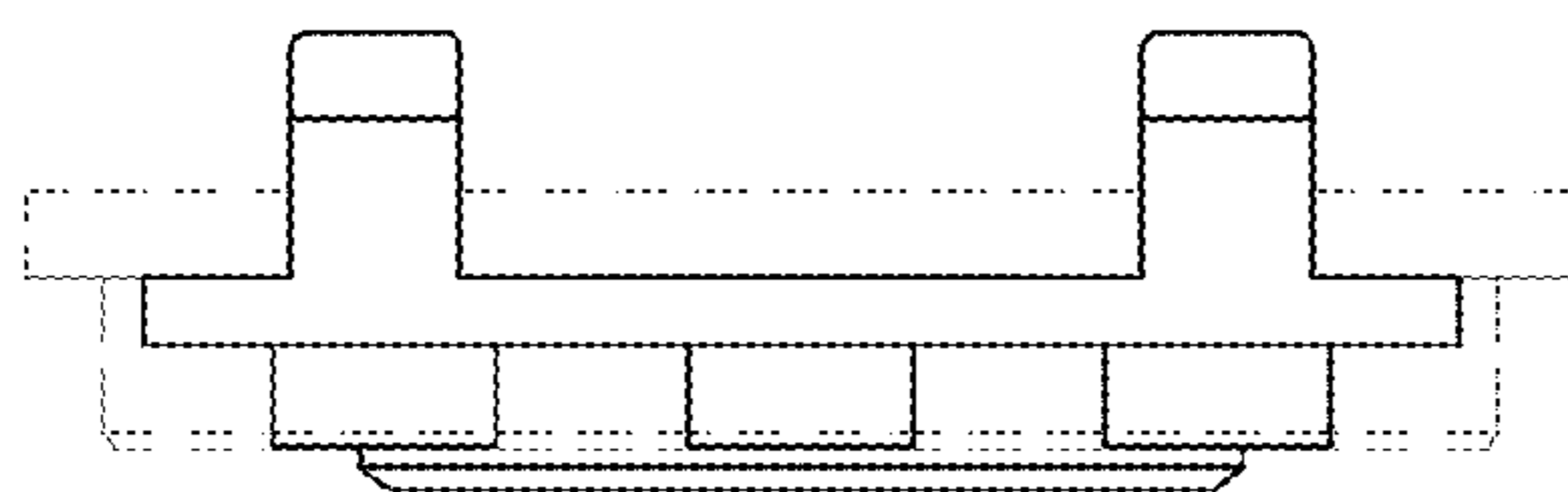


FIG. 7