



US00D751512S

(12) **United States Design Patent**
Kobayashi et al.

(10) **Patent No.:** **US D751,512 S**
(45) **Date of Patent:** **** Mar. 15, 2016**

(54) **FUSE**

(71) Applicant: **PACIFIC ENGINEERING CORP.**,
Ogaki-shi, Gifu-ken (JP)

(72) Inventors: **Tatsunori Kobayashi**, Ogaki (JP);
Masahiro Kimura, Ogaki (JP)

(73) Assignee: **Pacific Engineering Corp.**, Gifu-ken
(JP)

(**) Term: **14 Years**

(21) Appl. No.: **29/507,087**

(22) Filed: **Oct. 23, 2014**

Related U.S. Application Data

(62) Division of application No. 29/473,901, filed on Nov. 26, 2013, now Pat. No. Des. 730,300.

(30) **Foreign Application Priority Data**

May 30, 2013 (JP) 2013-011952
May 30, 2013 (JP) 2013-011953

(51) **LOC (10) Cl.** **13-03**

(52) **U.S. Cl.**
USPC **D13/161**

(58) **Field of Classification Search**

USPC D13/103, 104, 110, 112, 123, 128, 130,
D13/133, 139.1, 139.3, 158-161, 164, 184,
D13/199, 177; 257/427; 335/202; 361/362,
361/819; 200/50.07, 295; 439/606, 620,
439/620.27-620.29, 638; 337/186
CPC ... H01H 50/047; H01H 50/048; H01H 50/32;
H01H 50/02; H01H 50/04; H01H 50/16;
H01H 85/0026; H01R 13/68; H01F 27/40;
H01M 2200/103; H05K 2201/10181
See application file for complete search history.

(56) **References Cited**

U.S. PATENT DOCUMENTS

D372,223 S * 7/1996 Hanazaki D13/161
D375,940 S 11/1996 Shimizu et al.
5,739,739 A 4/1998 Muramatsu et al.
D461,169 S 8/2002 Onoda et al.
D517,988 S 3/2006 Ihde et al.
D555,600 S 11/2007 Ohta
D567,765 S 4/2008 Ohta
D567,766 S 4/2008 Ohta

(Continued)

FOREIGN PATENT DOCUMENTS

JP D1249839 9/2005

OTHER PUBLICATIONS

Restriction Requirement dated Sep. 18, 2014 for related Design U.S. Appl. No. 29/473,898, 6 pages.

Primary Examiner — Daniel Bui

Assistant Examiner — Shawn T Gingrich

(74) *Attorney, Agent, or Firm* — Kilpatrick Townsend & Stockton LLP

(57) **CLAIM**

The ornamental design for a fuse, as shown and described.

DESCRIPTION

FIG. 1 is a front, top and left side perspective view of a fuse showing our new design;

FIG. 2 is a front view thereof, the rear view being identical to the front view;

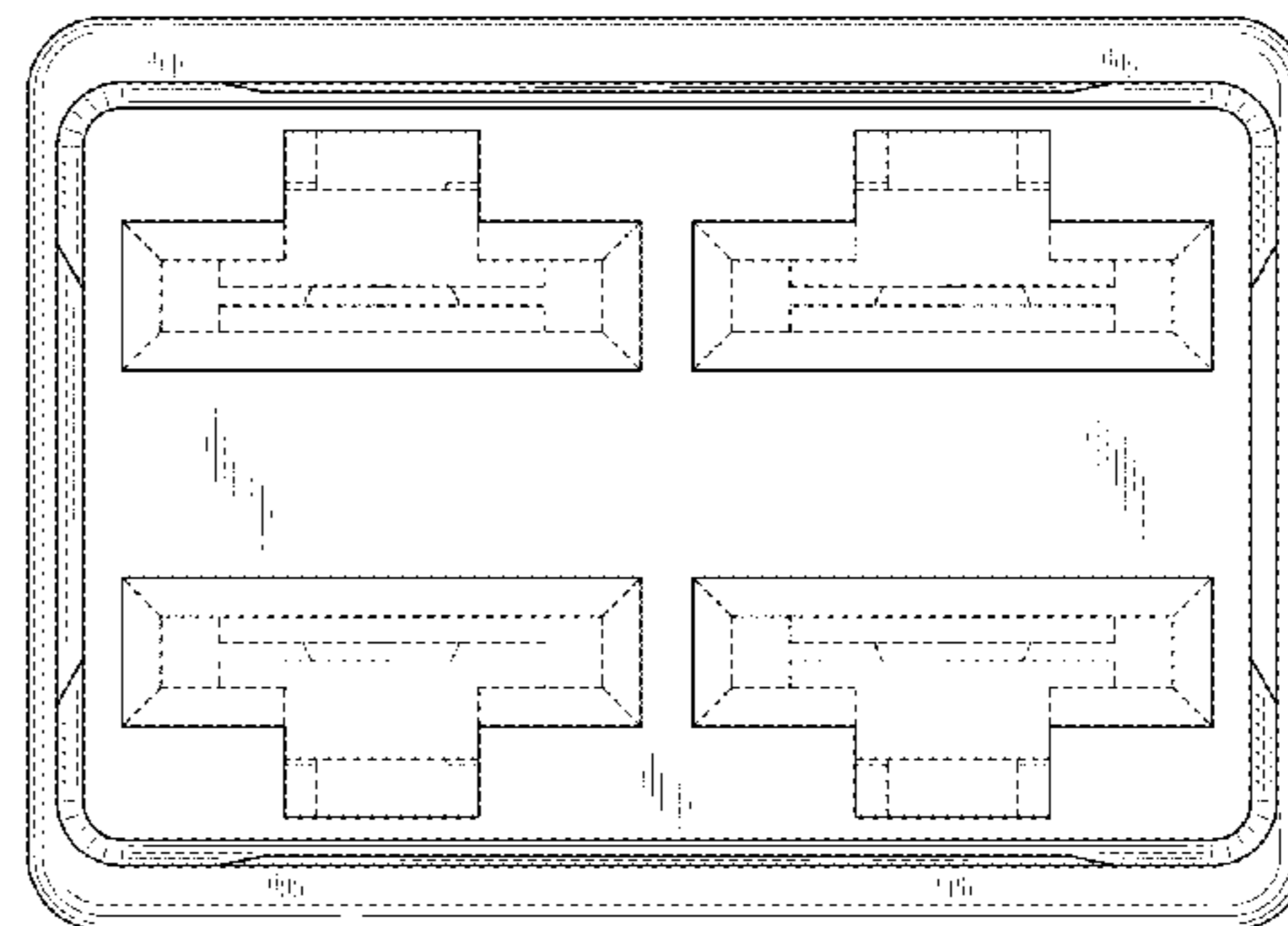
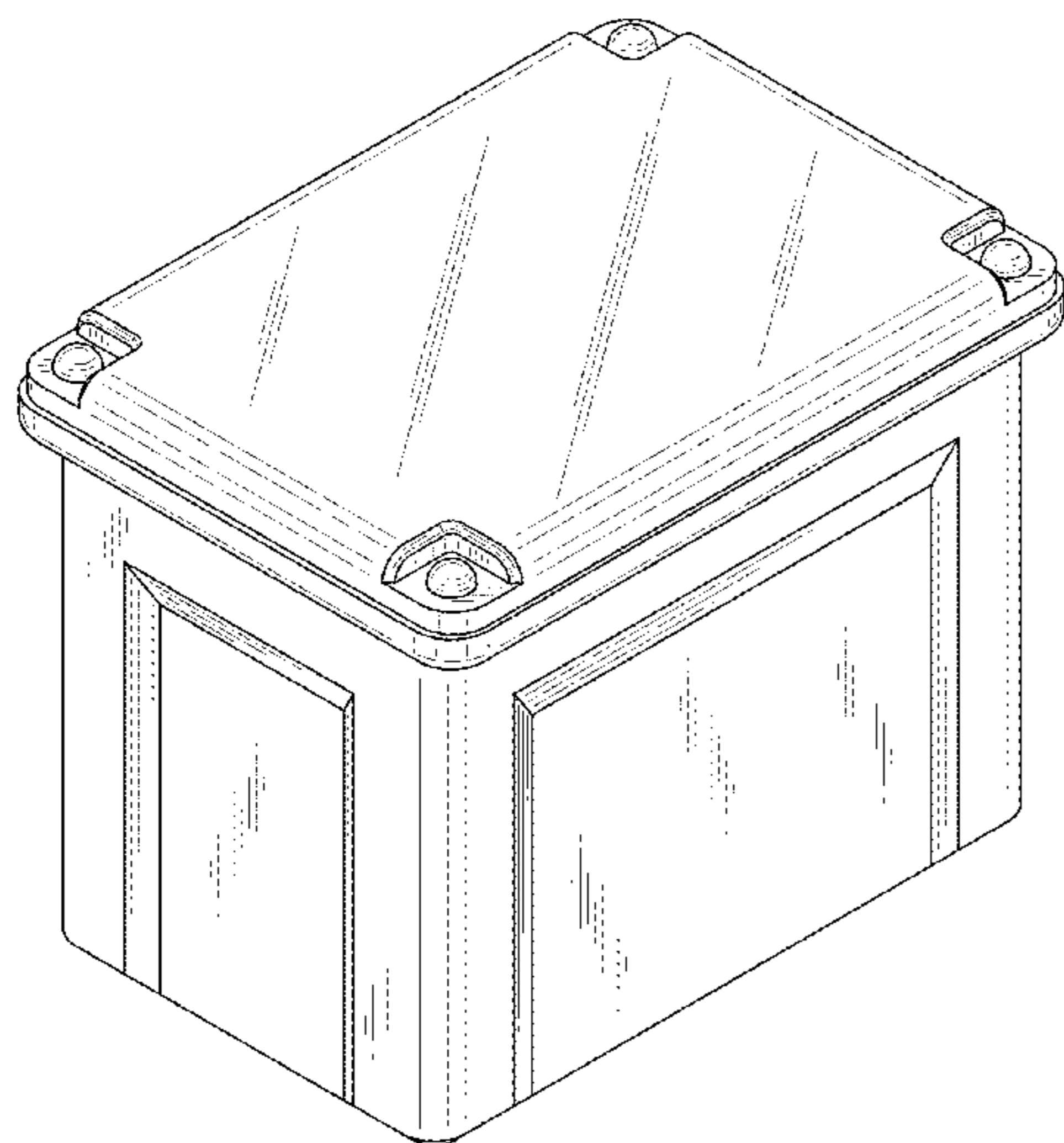
FIG. 3 is a top plan view thereof;

FIG. 4 is a bottom plan view thereof; and,

FIG. 5 is a right side view thereof, the left side view being identical to the right side view.

The oblique shade lines shown in the drawings represent that the cover is transparent. The broken line portion of the figure drawings is included to show portions of the article that form no part of the claimed design.

1 Claim, 5 Drawing Sheets



US D751,512 S

Page 2

(56)

References Cited

U.S. PATENT DOCUMENTS

D606,033 S 12/2009 Sonntag
D607,841 S 1/2010 Kudou et al.
D659,088 S 5/2012 Steinberg

D688,212 S 8/2013 Scheucher
D729,178 S * 5/2015 Kobayashi D13/161
D730,300 S * 5/2015 Kobayashi D13/161
2003/0222752 A1 12/2003 Ohashi et al.

* cited by examiner

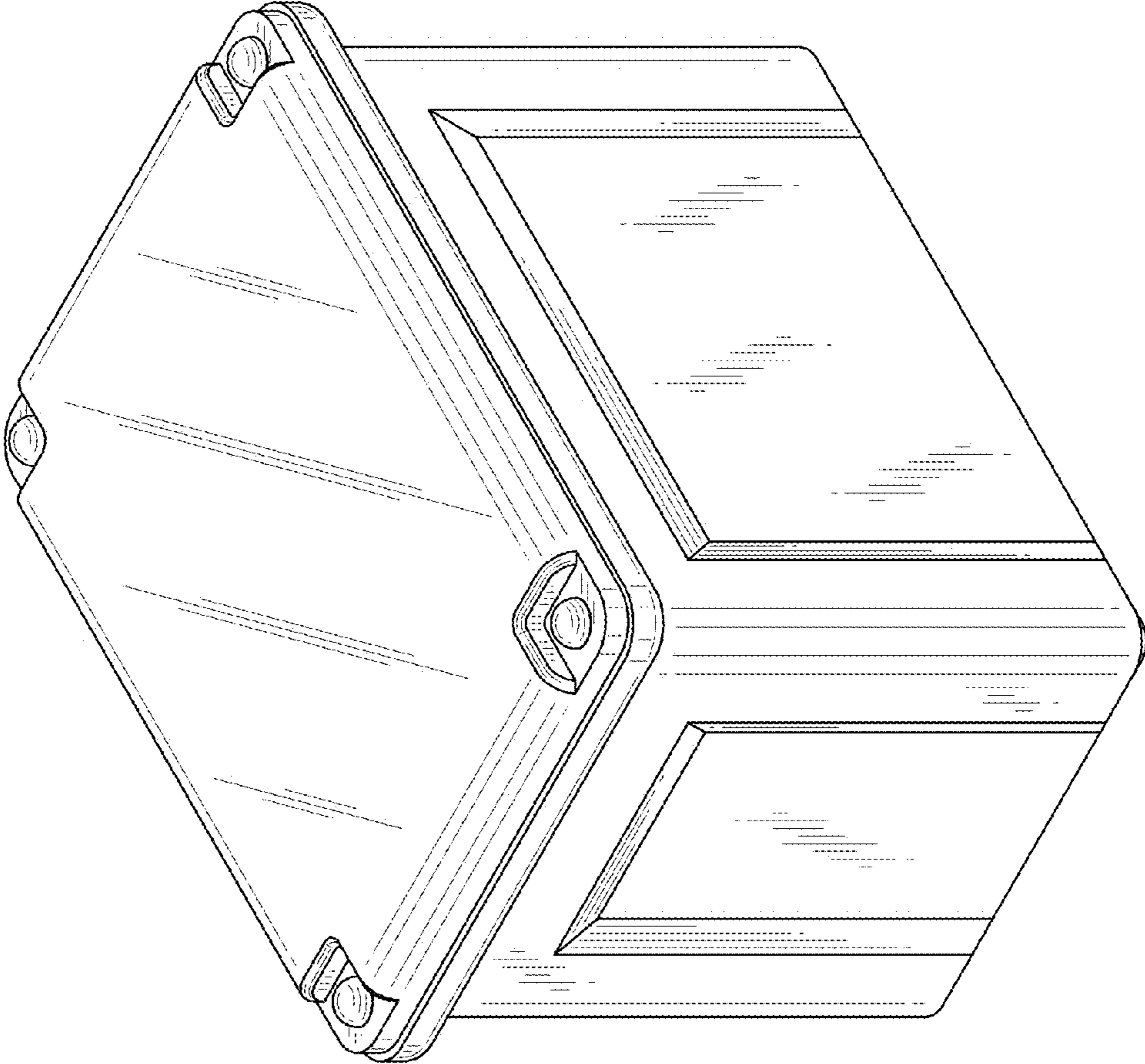


Fig. 1

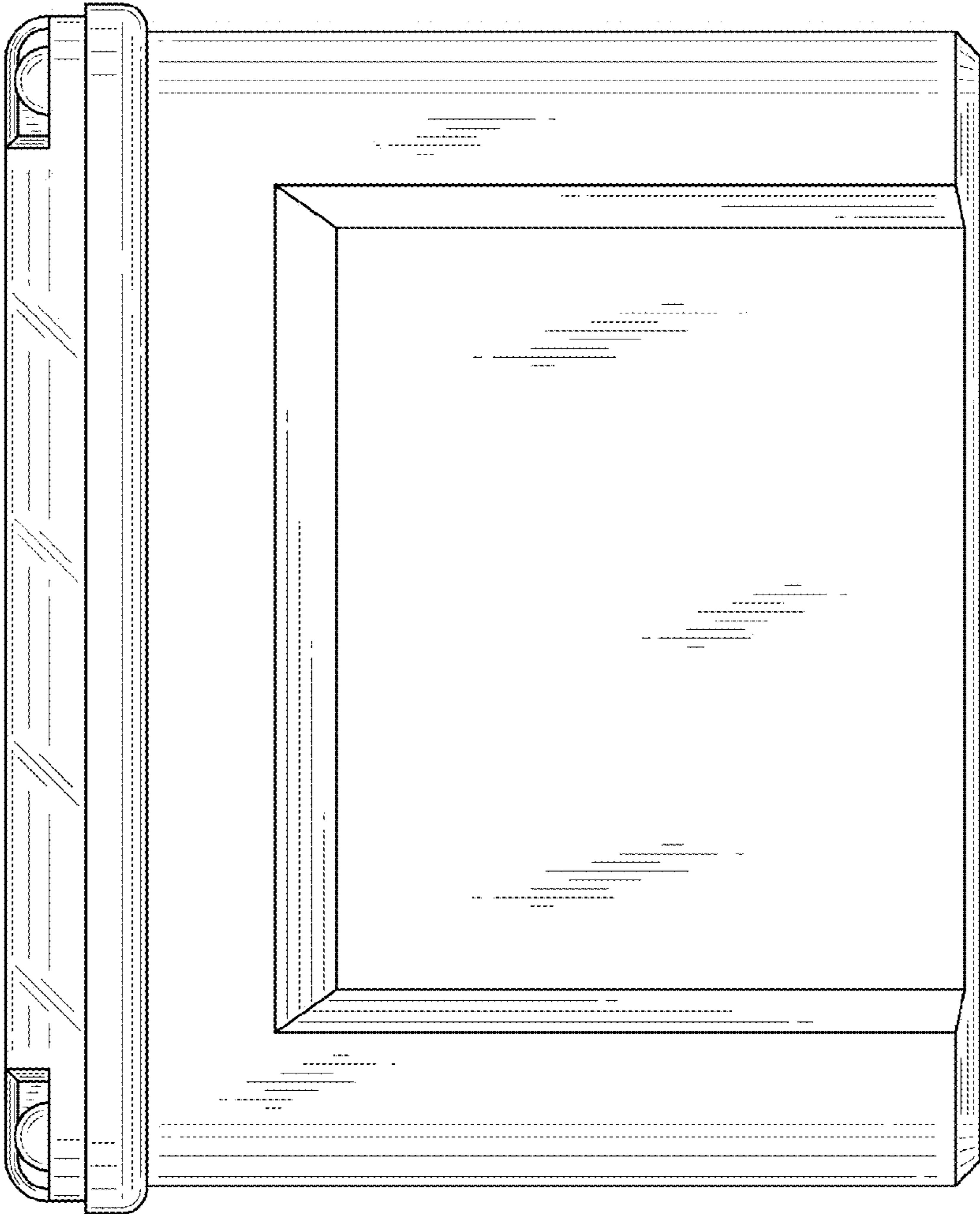


Fig. 2

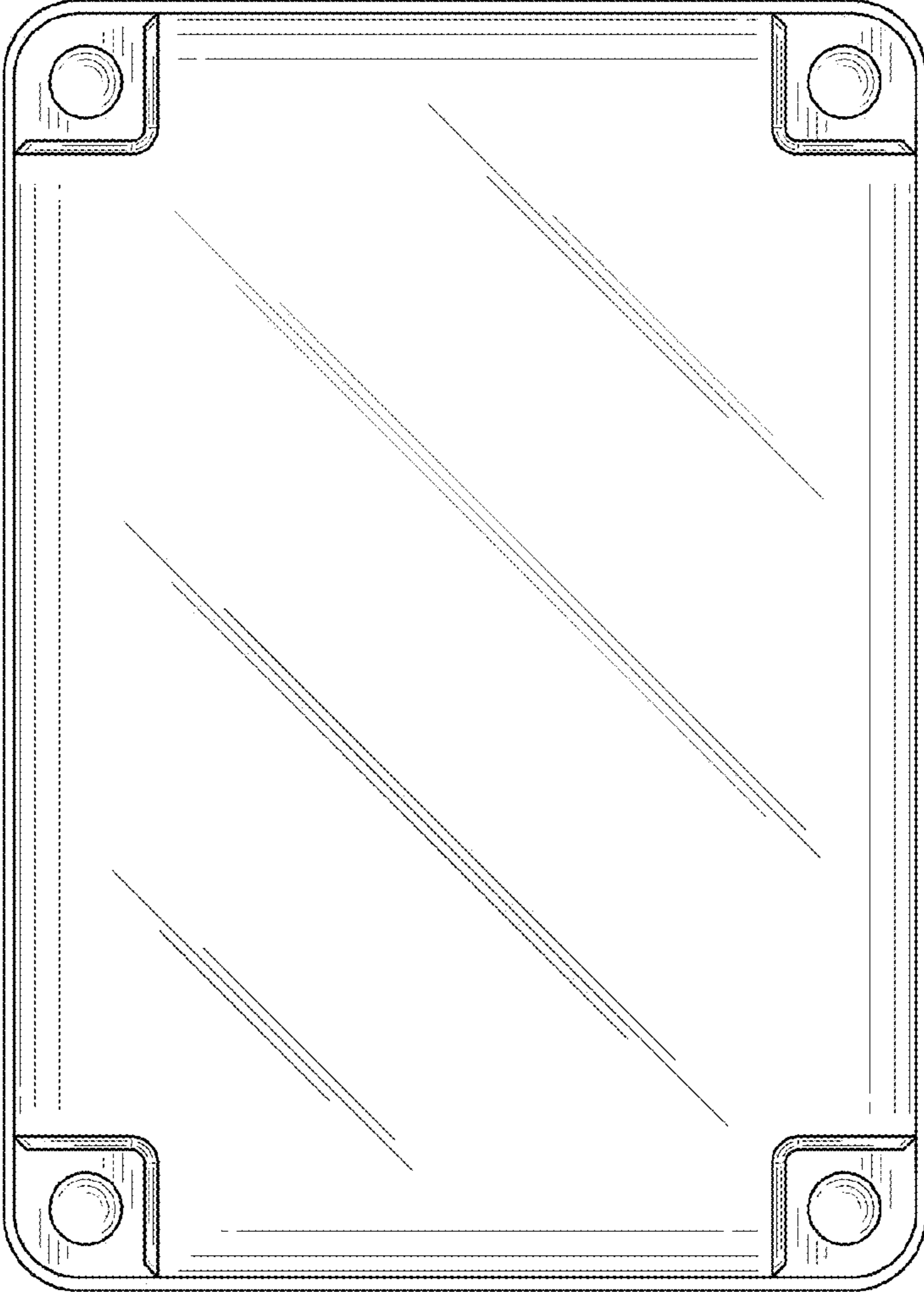


Fig. 3

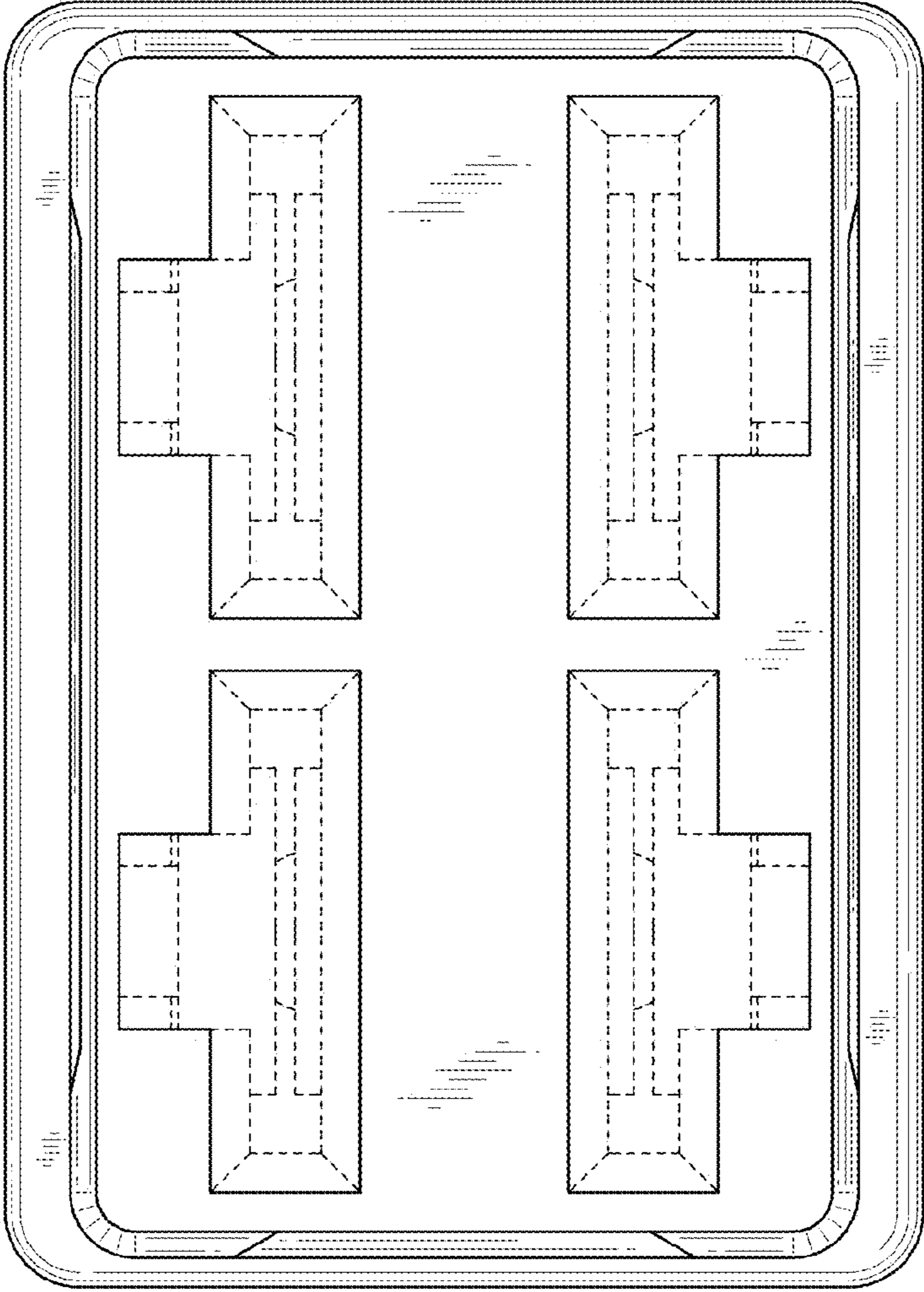


Fig. 4

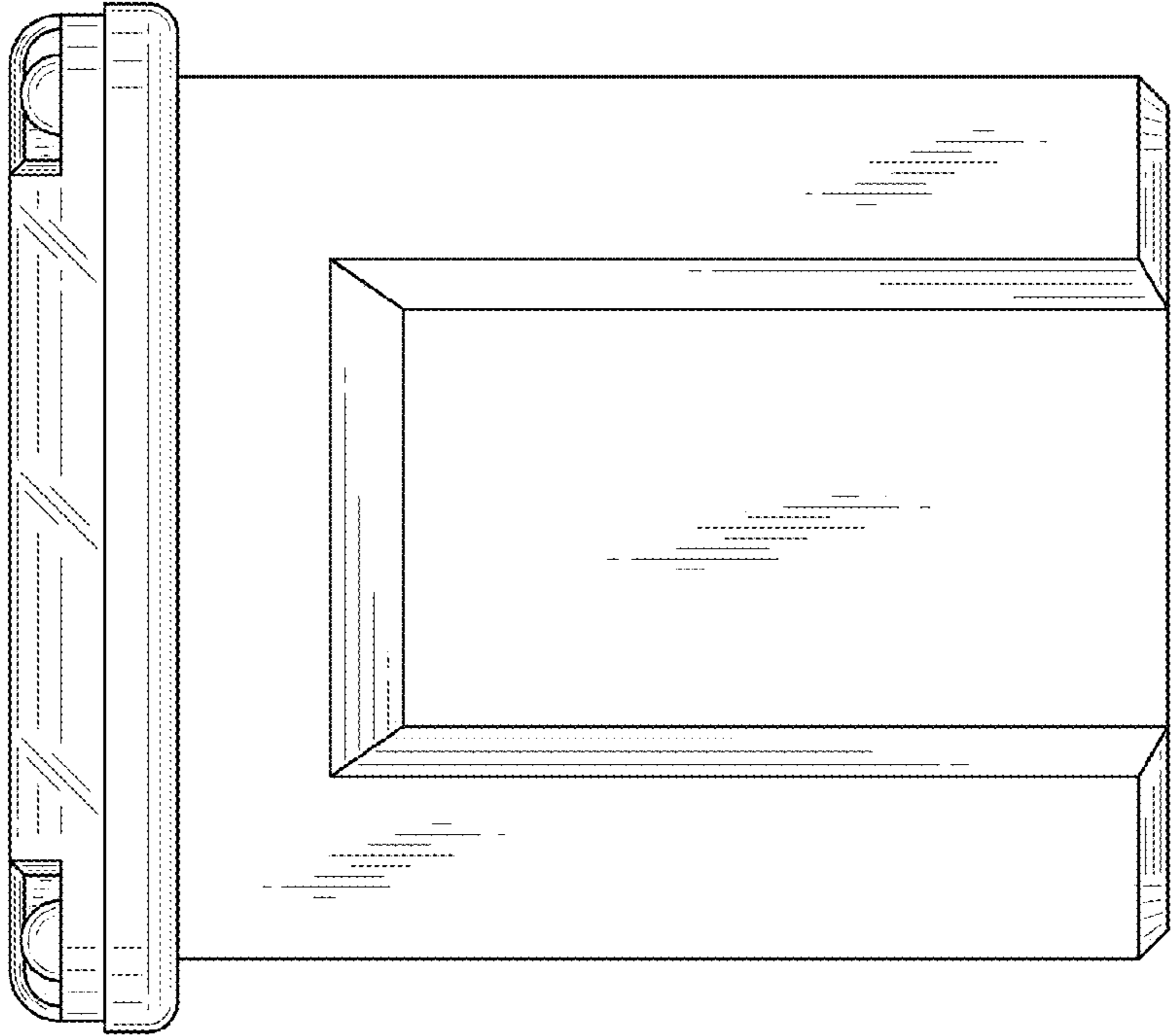


Fig. 5