



US00D751511S

(12) **United States Design Patent**
Buck et al.

(10) **Patent No.:** **US D751,511 S**
(45) **Date of Patent:** **** Mar. 15, 2016**

(54) **RIGHT-ANGLE ELECTRICAL CONNECTOR**

(71) Applicants: **Jonathan E. Buck**, Milpitas, CA (US);
Stuart C. Stoner, Lewisberry, PA (US);
Steven E. Minich, York, PA (US);
Douglas M. Johnescu, York, PA (US);
Stephen B. Smith, Mechanicsburg, PA (US)

(72) Inventors: **Jonathan E. Buck**, Milpitas, CA (US);
Stuart C. Stoner, Lewisberry, PA (US);
Steven E. Minich, York, PA (US);
Douglas M. Johnescu, York, PA (US);
Stephen B. Smith, Mechanicsburg, PA (US)

(73) Assignee: **FCI AMERICAS TECHNOLOGY LLC**, Carson City, NV (US)

(**) Term: **15 Years**

(21) Appl. No.: **29/533,910**

(22) Filed: **Jul. 23, 2015**

Related U.S. Application Data

(62) Division of application No. 29/497,094, filed on Jul. 21, 2014, now Pat. No. Des. 738,314, which is a division of application No. 29/443,213, filed on Jan. 14, 2013, now Pat. No. Des. 712,841.

(51) **LOC (10) Cl.** **13-03**

(52) **U.S. Cl.**
USPC **D13/154**

(58) **Field of Classification Search**
USPC D13/133, 146, 147, 154, 184, 199
See application file for complete search history.

(56) **References Cited**

U.S. PATENT DOCUMENTS

D210,829 S	4/1968	Hanlon
D213,697 S	4/1969	Oxley
5,181,855 A	1/1993	Mosquera et al.
D402,637 S	12/1998	Carpenter, Jr.

6,461,202 B2	10/2002	Kline
6,960,103 B2	11/2005	Tokunaga
6,994,569 B2	2/2006	Minich et al.
7,118,391 B2	10/2006	Minich et al.
D550,628 S	9/2007	Whiteman et al.
7,278,856 B2	10/2007	Minich
7,338,321 B2	3/2008	Laurx
7,549,897 B2	6/2009	Fedder et al.
D611,420 S	3/2010	Takada et al.
D611,421 S	3/2010	Takada et al.

(Continued)

OTHER PUBLICATIONS

U.S. Appl. No. 29/496,690, filed Jul. 16, 2014, Buck et al.
(Continued)

Primary Examiner — Daniel Bui

(74) *Attorney, Agent, or Firm* — Baker & Hostetler LLP

(57) **CLAIM**

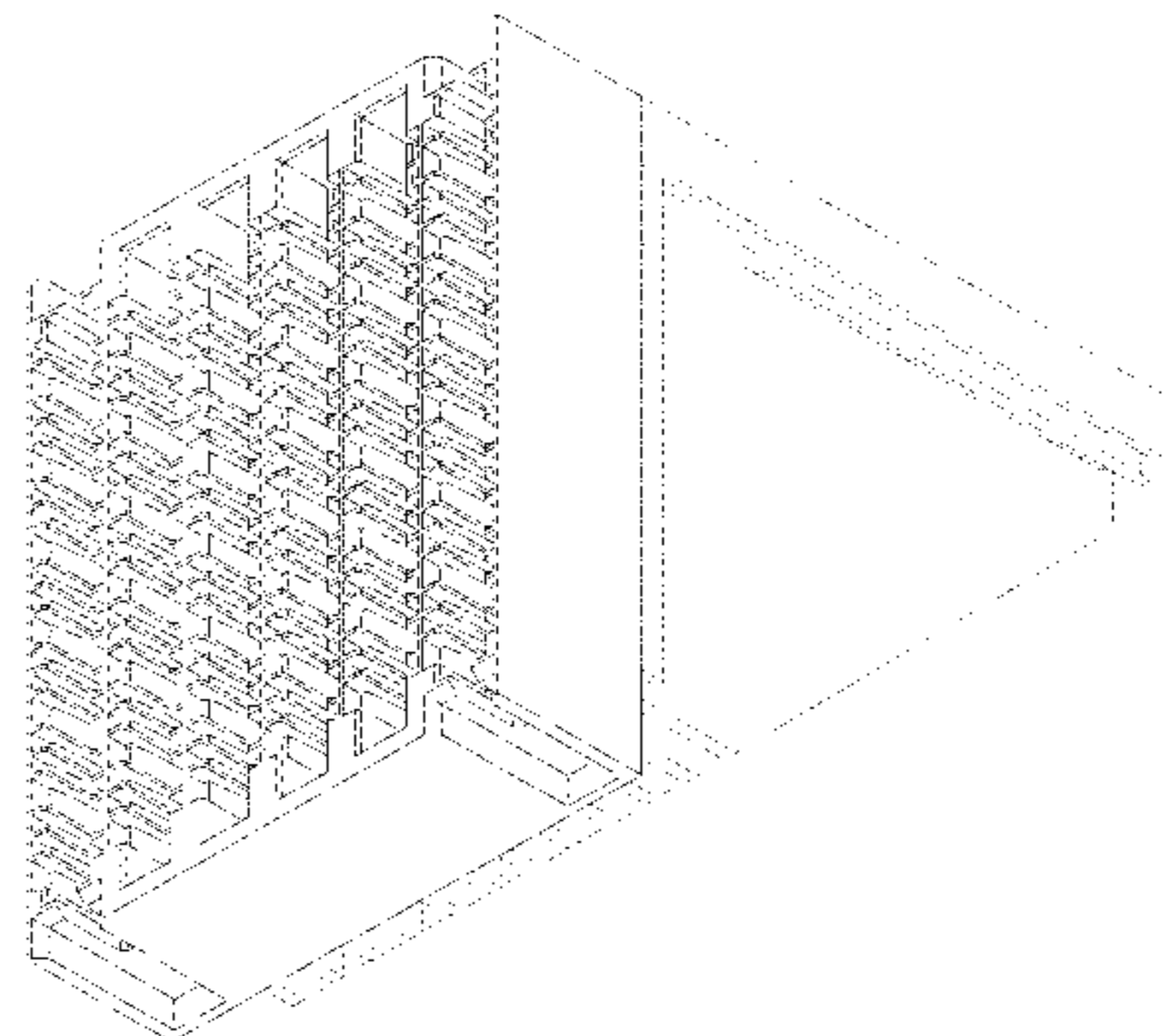
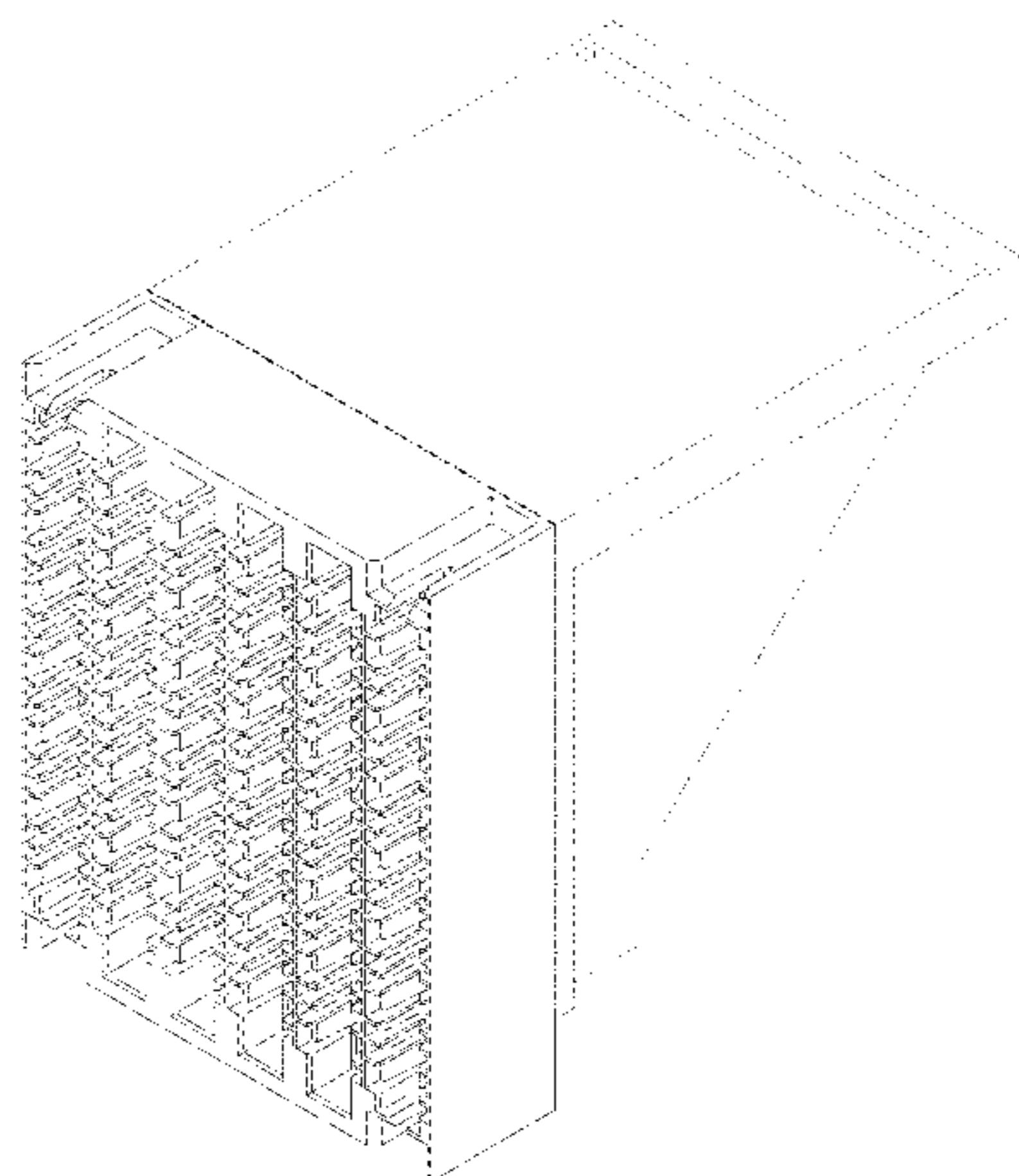
The ornamental design for a right-angle electrical connector, as shown and described.

DESCRIPTION

FIG. 1 is a top, right, front perspective view of a right-angle electrical connector according to our design;
FIG. 2 is a bottom, right, front perspective view thereof;
FIG. 3 is a bottom, right, rear perspective view thereof;
FIG. 4 is a bottom, left, rear perspective view thereof;
FIG. 5 is a top, left, front perspective view thereof;
FIG. 6 is another bottom, right, rear perspective view thereof;
FIG. 7 is a front elevation view thereof;
FIG. 8 is a rear elevation view thereof;
FIG. 9 is a top plan view thereof;
FIG. 10 is a bottom plan view thereof;
FIG. 11 is a left side elevation view thereof; and,
FIG. 12 is a right side elevation view thereof.

The broken line portion of the figure drawings is included to show unclaimed subject matter only for the purpose of illustrating environment and forms no part of the claimed design. The dash-dot line represents the boundary of the claim design. In a preferred embodiment, the nature of this product is an electrical component that can take the form of a right-angle electrical connector, and a right-angle electrical connector housing therefor.

1 Claim, 8 Drawing Sheets



(56)

References Cited

U.S. PATENT DOCUMENTS

D611,905 S 3/2010 Takada et al.
D611,906 S 3/2010 Takada et al.
8,408,939 B2 4/2013 Davis et al.
D712,842 S 9/2014 Buck et al.
D712,843 S 9/2014 Buck et al.
D712,844 S 9/2014 Buck et al.
D713,346 S 9/2014 Buck et al.
D713,356 S 9/2014 Buck et al.
D713,799 S 9/2014 Buck et al.
D724,032 S 3/2015 Buck et al.
8,998,645 B2 4/2015 Vanaleck et al.
D738,314 S * 9/2015 Buck D13/147
2004/0259420 A1 12/2004 Wu
2007/0190825 A1 8/2007 Shuey et al.

2009/0068902 A1 3/2009 Nagata
2012/0214343 A1 8/2012 Buck et al.
2014/0248794 A1 9/2014 Khazen et al.

OTHER PUBLICATIONS

U.S. Appl. No. 29/498,817, filed Aug. 8, 2014, Buck et al.
U.S. Appl. No. 29/498,823, filed Aug. 8, 2014, Buck et al.
U.S. Appl. No. 29/498,828, filed Aug. 8, 2014, Buck et al.
U.S. Appl. No. 29/517,078, filed Feb. 10, 2015, Buck et al.
U.S. Appl. No. 29/526,301, filed May 7, 2015, Buck et al.
U.S. Appl. No. 29/526,541, filed May 11, 2015, Buck et al.
U.S. Appl. No. 29/526,298, filed May 7, 2015, Buck et al.
U.S. Appl. No. 29/526,295, filed May 12, 2015, Buck et al.
U.S. Appl. No. 29/526,296, filed May 7, 2015, Buck et al.
U.S. Appl. No. 29/533,779, filed Jul. 22, 2015, Buck et al.

* cited by examiner

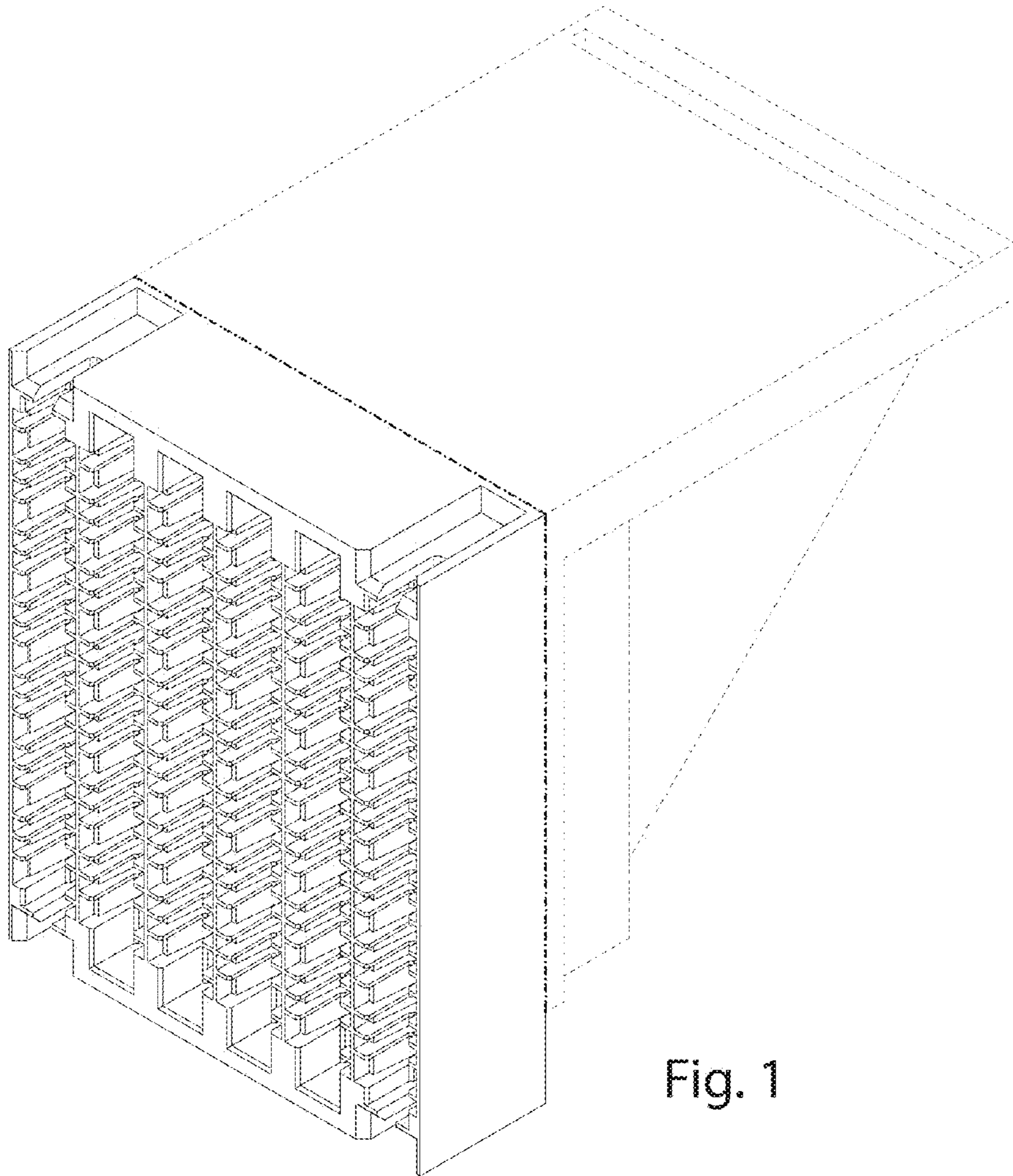


Fig. 1

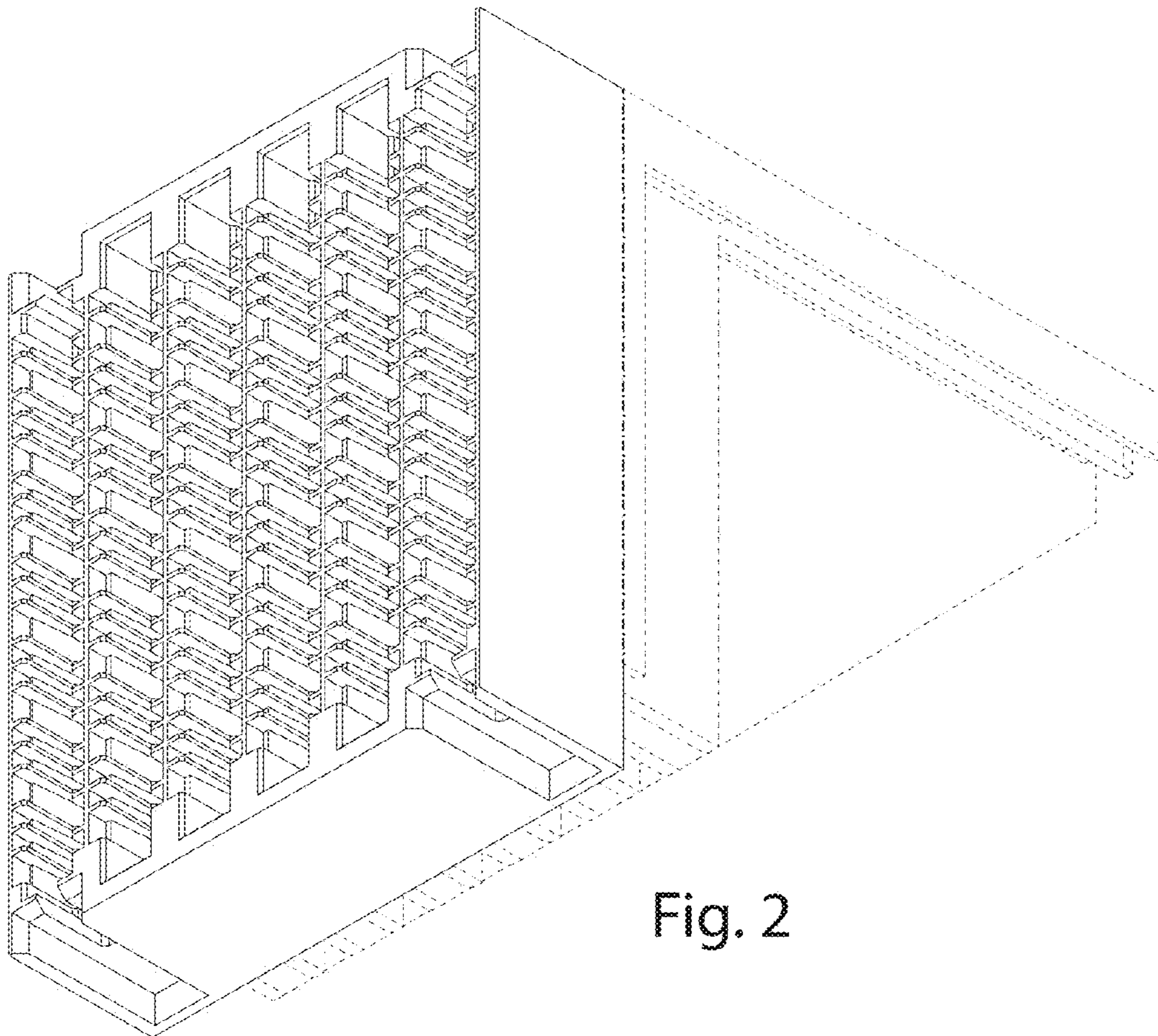


Fig. 2

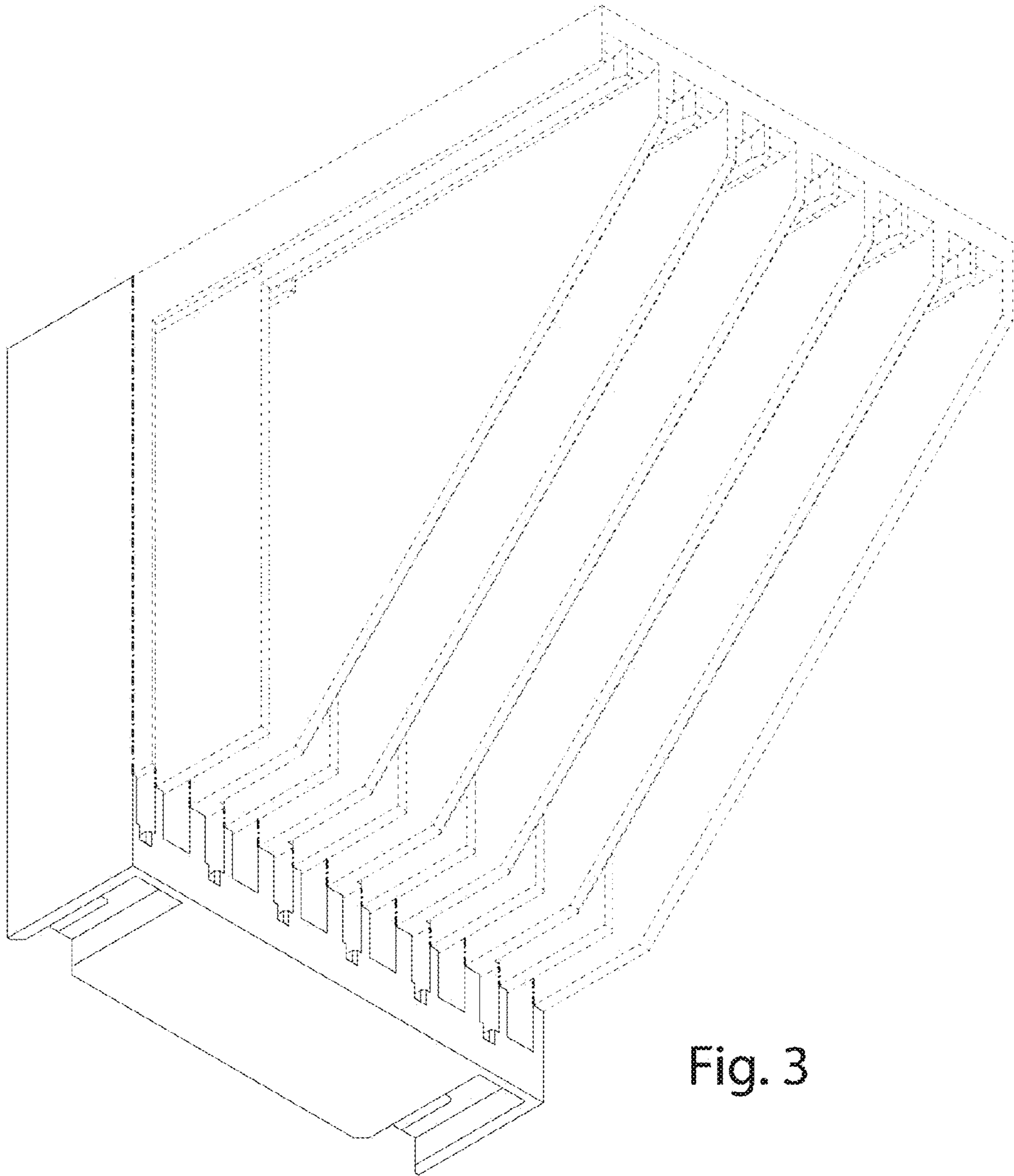


Fig. 3

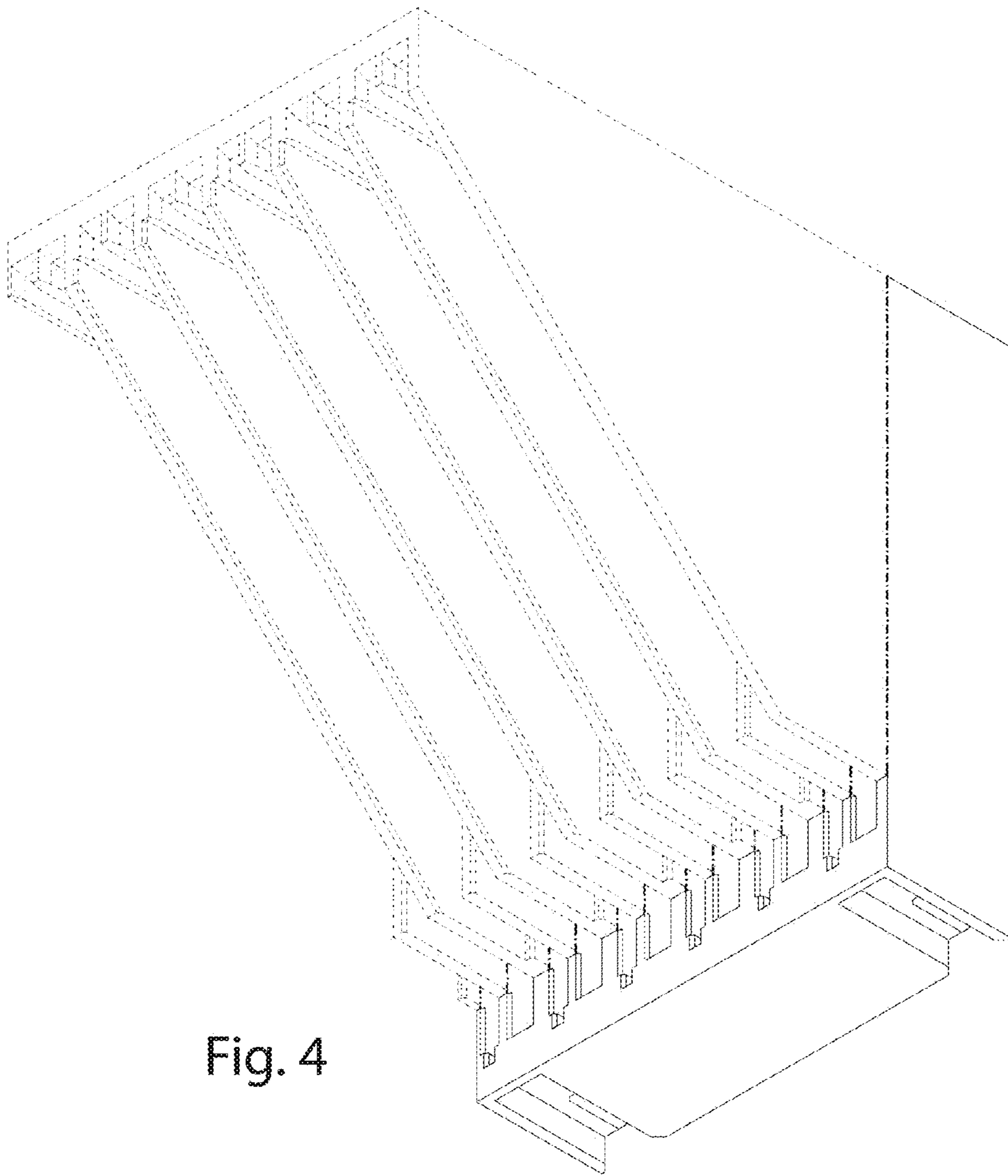


Fig. 4

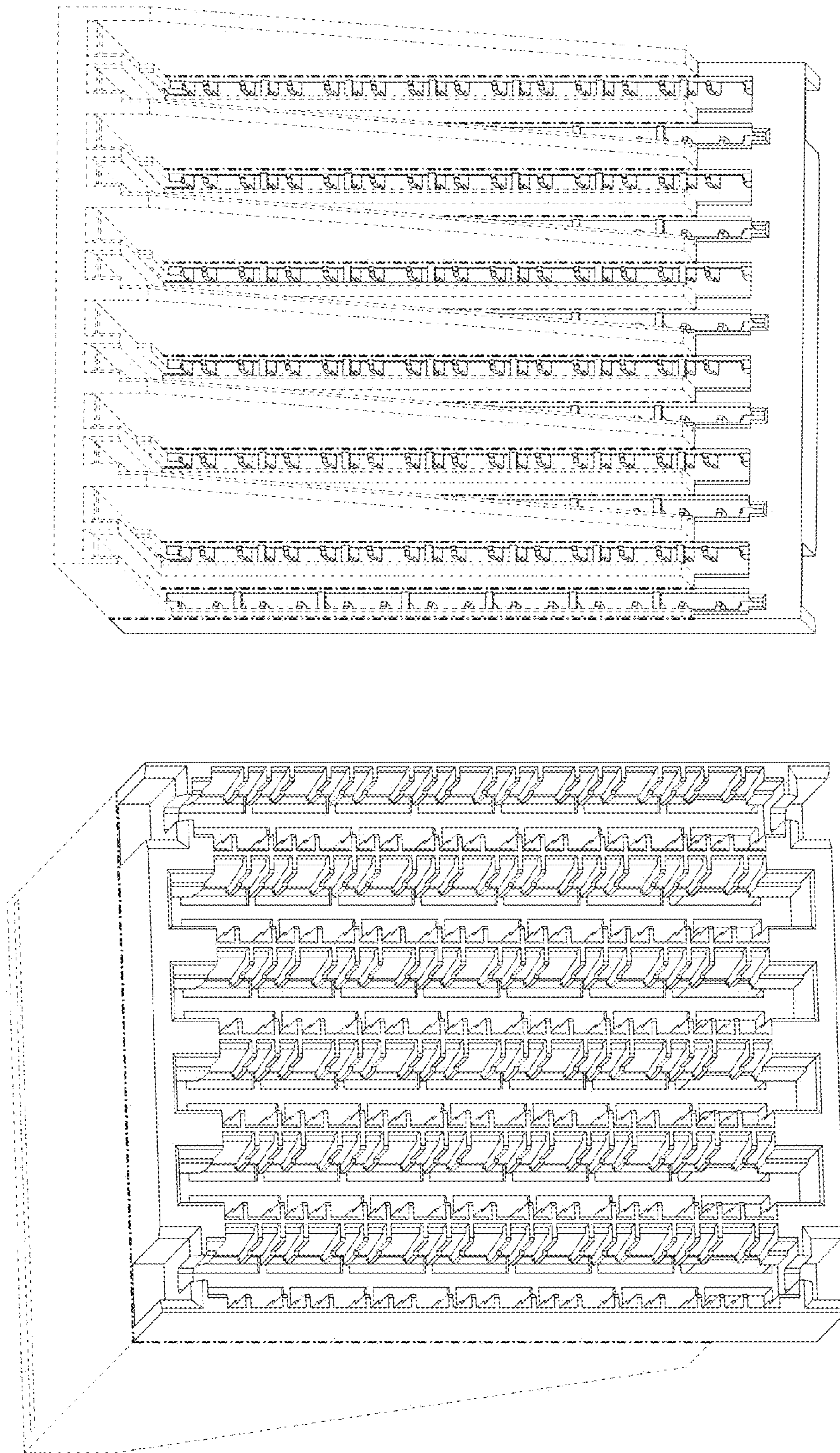


Fig. 6

Fig. 5

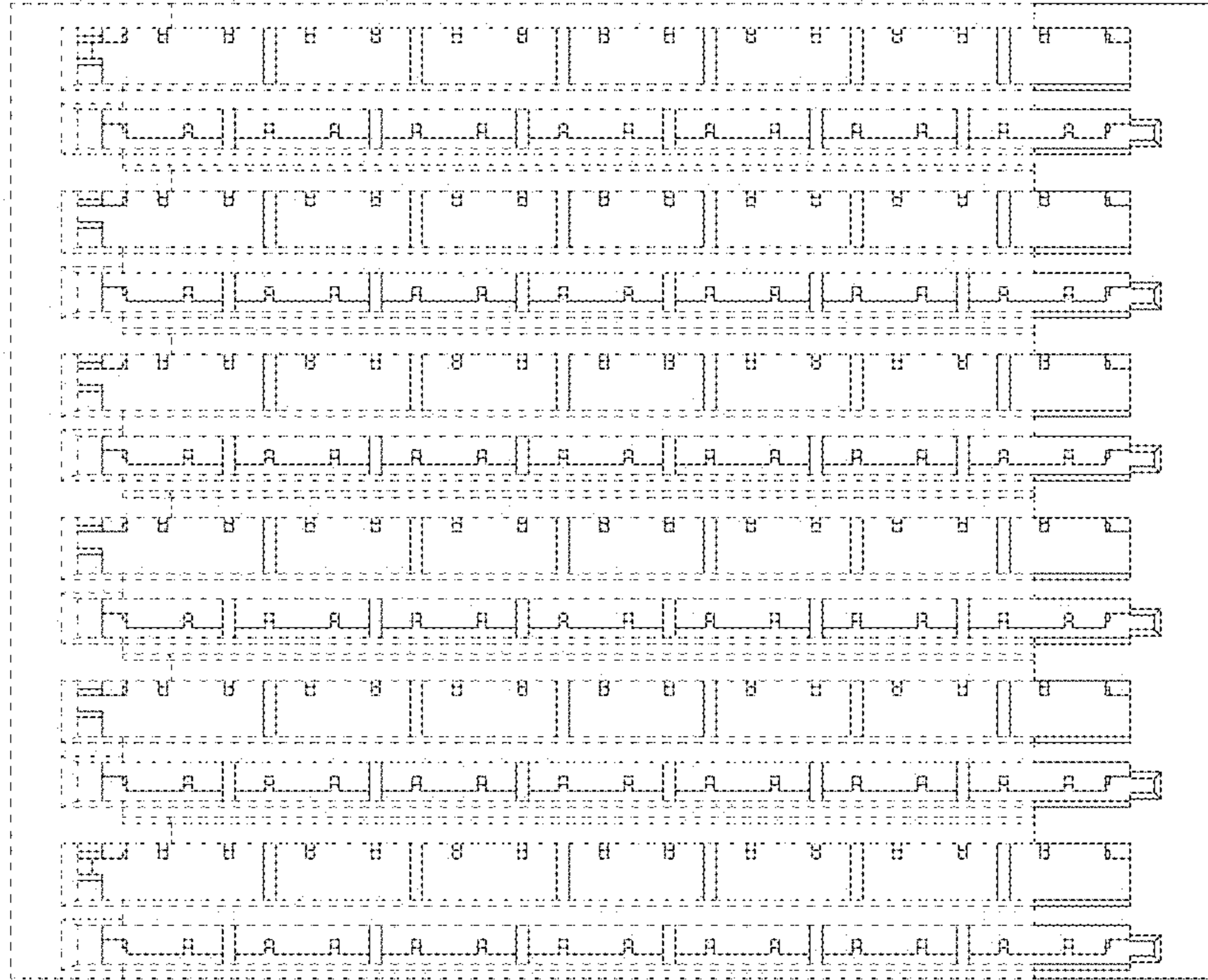


Fig. 8

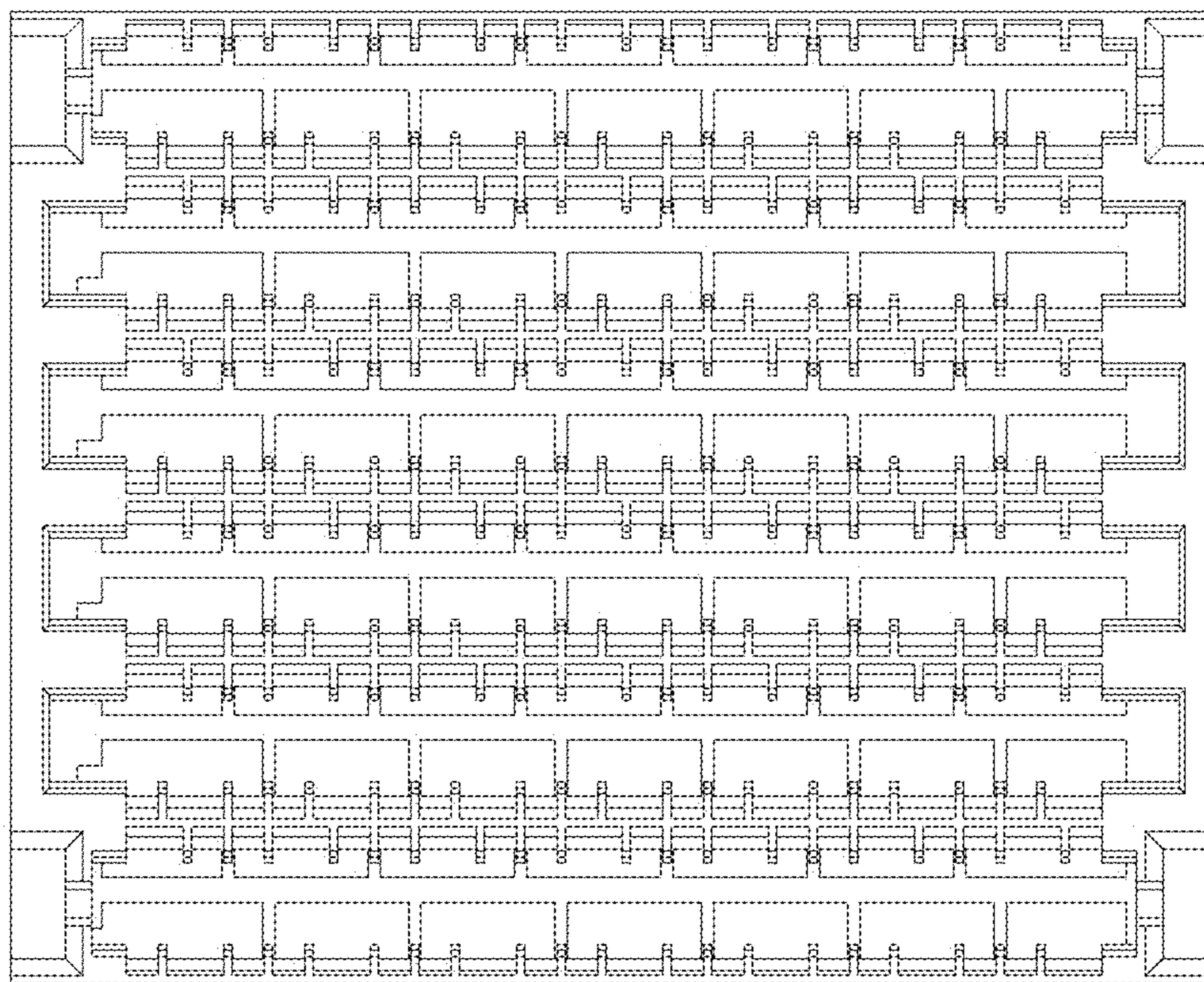


Fig. 7

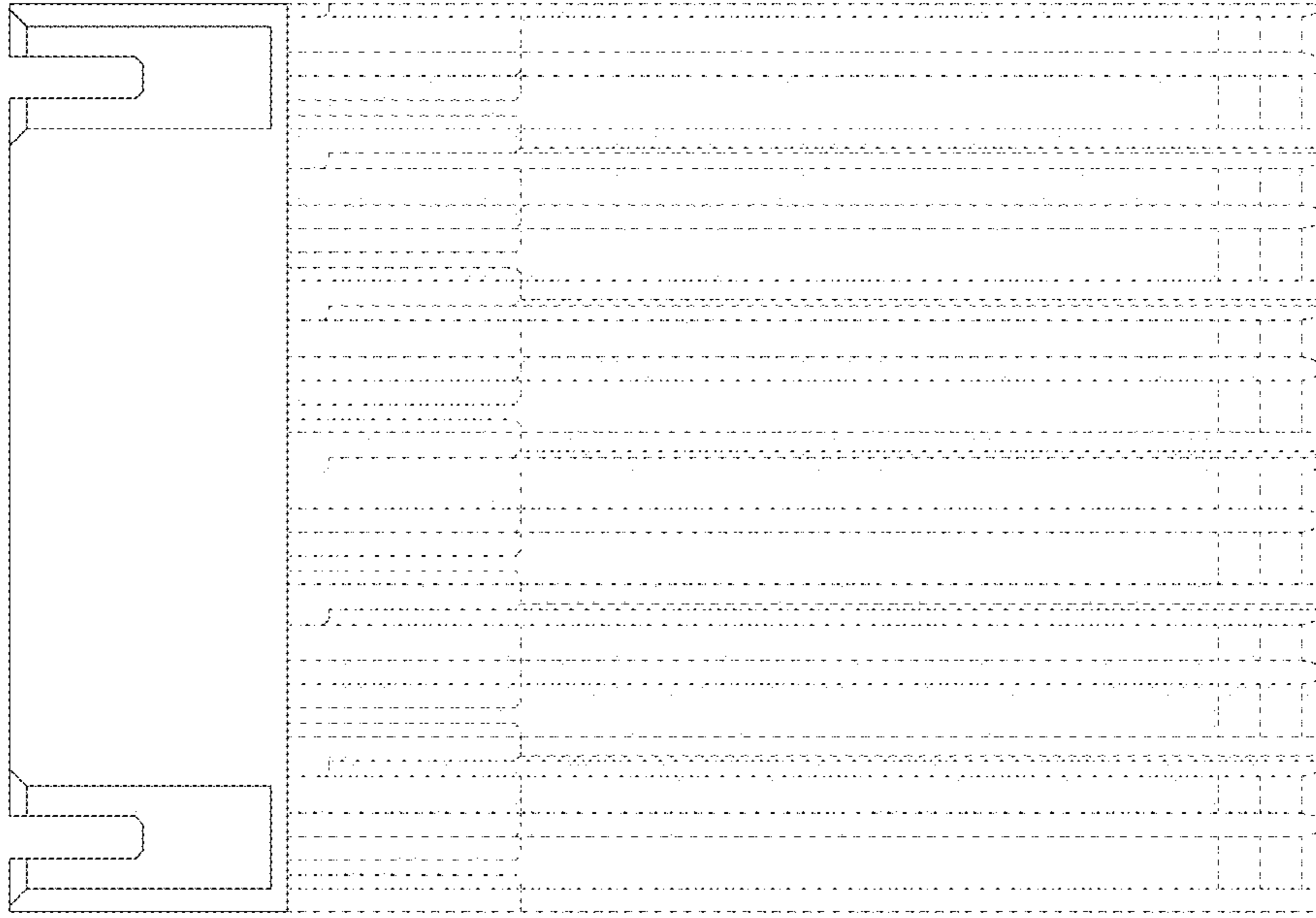


Fig. 9

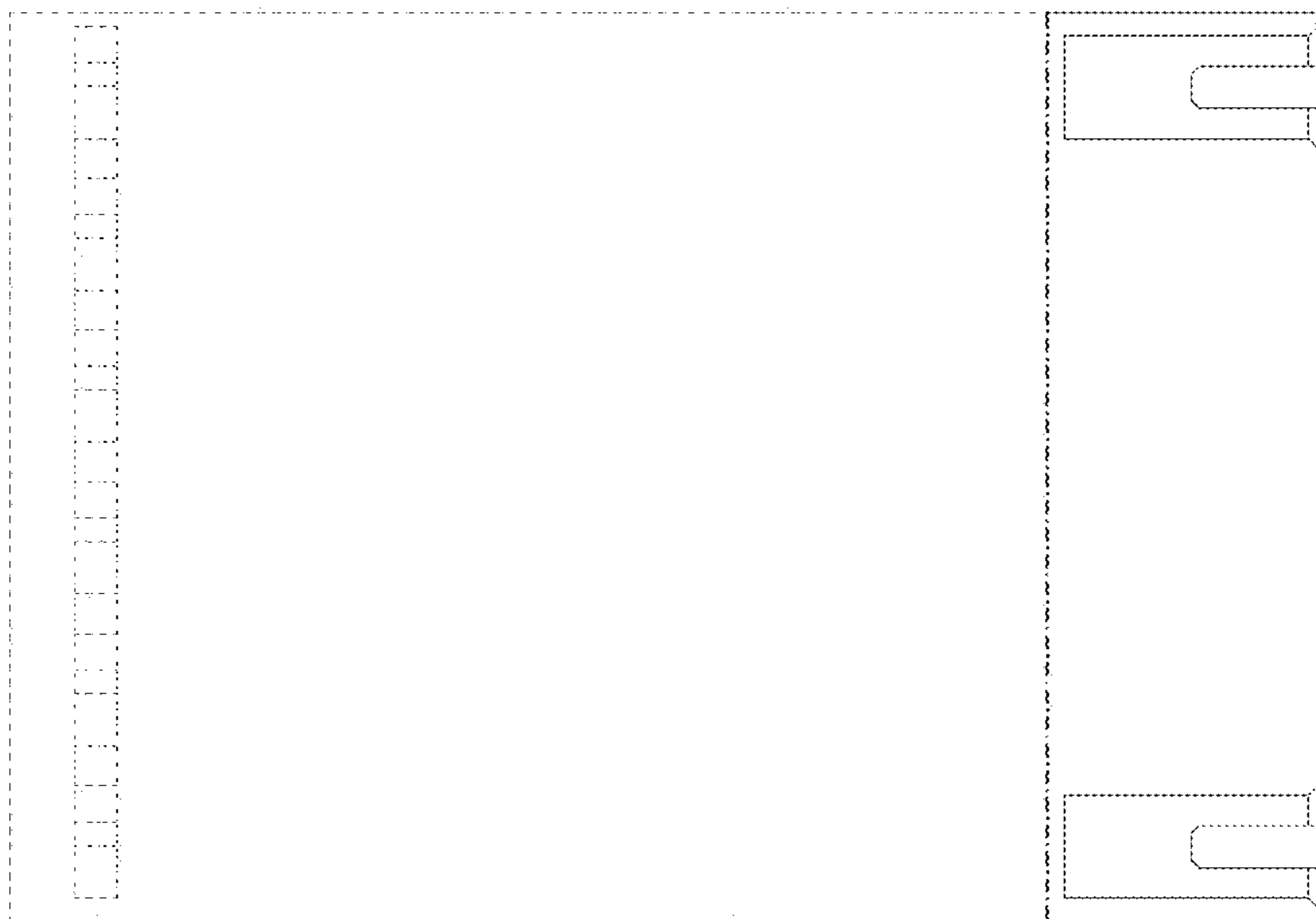


Fig. 10

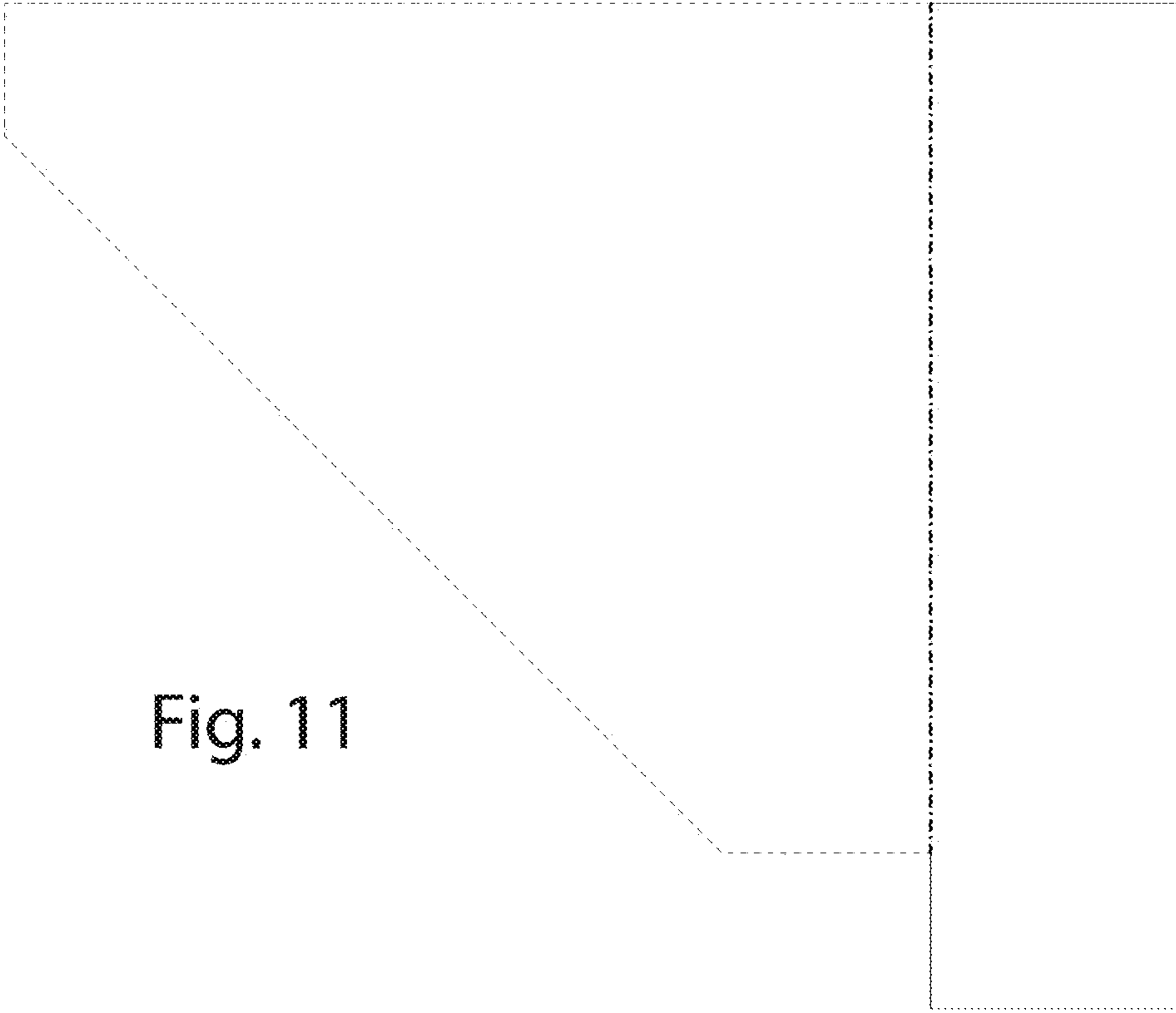


Fig. 11

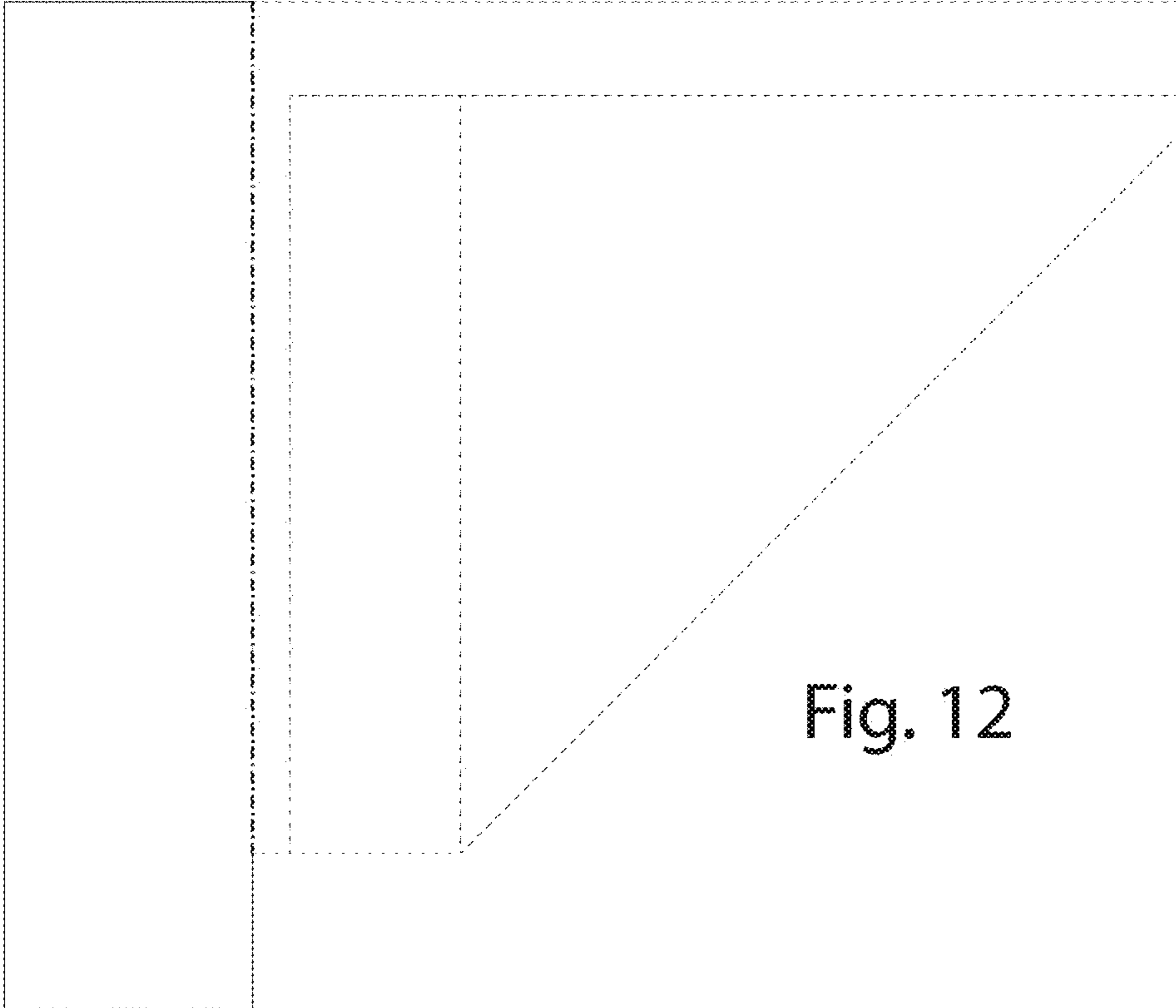


Fig. 12