



US00D751509S

(12) **United States Design Patent**  
**Hanson**

(10) **Patent No.:** **US D751,509 S**  
(45) **Date of Patent:** **\*\* Mar. 15, 2016**

- (54) **CABLE JUNCTION DEVICE**
- (71) Applicant: **PPC Broadband, Inc.**, East Syracuse, NY (US)
- (72) Inventor: **Brian K. Hanson**, East Syracuse, NY (US)
- (73) Assignee: **PPC BROADBAND, INC.**, East Syracuse, NY (US)

- D452,682 S \* 1/2002 Inoue ..... D13/151
- D475,019 S 5/2003 Soulodre
- D475,020 S 5/2003 Soulodre
- D475,350 S 6/2003 Soulodre
- 6,969,278 B2 \* 11/2005 Shapson ..... 439/579
- D532,385 S \* 11/2006 Shapson ..... D14/125
- D596,131 S 7/2009 Soulodre
- D607,413 S 1/2010 Egan et al.
- D607,414 S 1/2010 Egan et al.
- D661,255 S 6/2012 Kane
- D673,914 S 1/2013 Witkowski
- 2009/0077608 A1 \* 3/2009 Romerein et al. .... 725/127

(\*\*) Term: **14 Years**

\* cited by examiner

(21) Appl. No.: **29/466,896**

*Primary Examiner* — Derrick Holland

(22) Filed: **Sep. 12, 2013**

(74) *Attorney, Agent, or Firm* — MH2 Technology Law Group, LLP

**Related U.S. Application Data**

(63) Continuation of application No. 13/969,287, filed on Aug. 16, 2013, now abandoned.

(51) **LOC (10) Cl.** ..... **13-03**

(52) **U.S. Cl.**  
USPC ..... **D13/151**

(58) **Field of Classification Search**  
USPC ..... D13/151, 133, 146, 147, 148, 150, 154, D13/158, 173, 184, 199; D14/125, 217, D14/239, 299; 174/50.52, 51, 59, 60, 61, 174/62, 63, 64, 528; 333/100, 101, 206; 439/55, 63, 578, 579, 580  
CPC ..... H02G 3/08; H02G 3/081; H02G 3/083; H02G 3/18; H02G 15/00; H02G 15/02; H02G 15/04; Y10S 248/906  
See application file for complete search history.

(56) **References Cited**

**U.S. PATENT DOCUMENTS**

- D301,241 S \* 5/1989 Chino ..... D14/217
- D396,691 S \* 8/1998 Shen ..... D13/147
- D399,846 S \* 10/1998 Beggs ..... D14/217
- D404,713 S \* 1/1999 Hsiang ..... D13/147

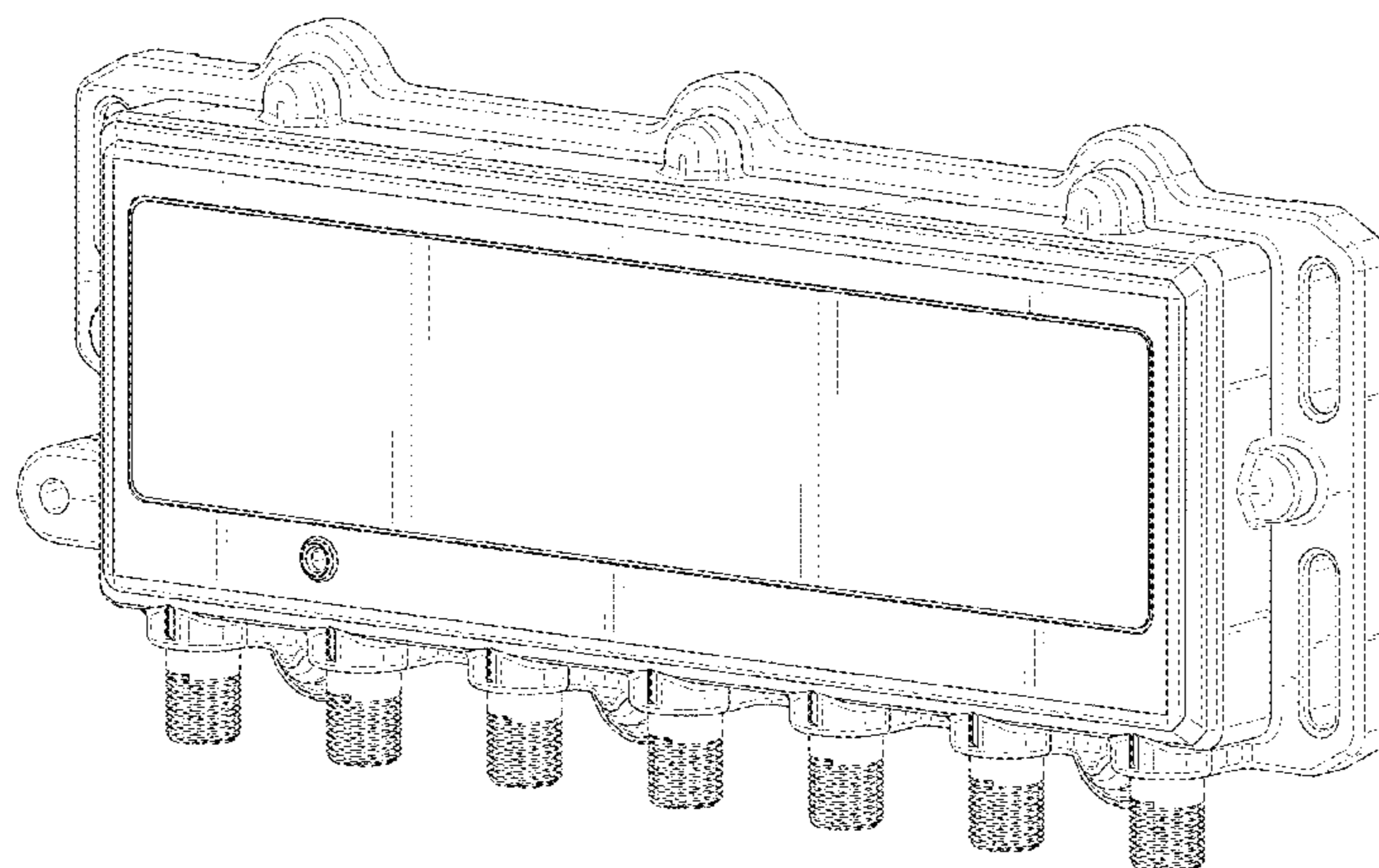
(57) **CLAIM**

The ornamental design for a cable junction device, as shown and described.

**DESCRIPTION**

A portion of the disclosure of this patent document contains or may contain material which is subject to copyright protection. The copyright owner has no objection to the photocopy reproduction by anyone of the patent document in exactly the form it appears in the Patent and Trademark Office patent file or records, but otherwise reserves all copyrights whatsoever. FIG. 1 is a front elevation view of a cable junction device showing my new design; FIG. 2 is a rear elevation view thereof; FIG. 3 is a left side elevation view thereof; FIG. 4 is a right side elevation view thereof; FIG. 5 is a top plan view thereof; FIG. 6 is a bottom plan view thereof; FIG. 7 is a right and front isometric view thereof; and, FIG. 8 is a left and rear isometric view thereof. The broken lines shown represent unclaimed subject matter and form no part of the claimed design.

**1 Claim, 6 Drawing Sheets**



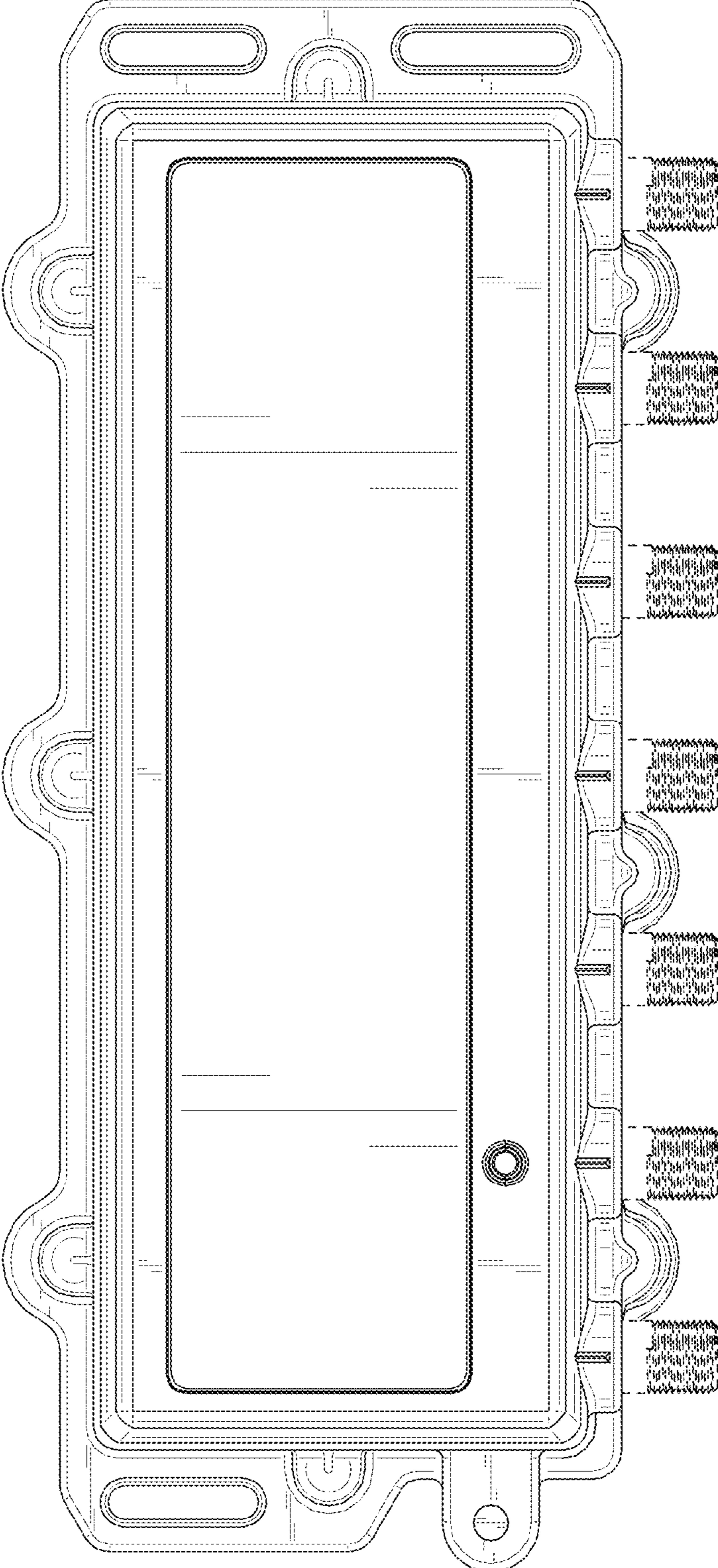


FIG. 1

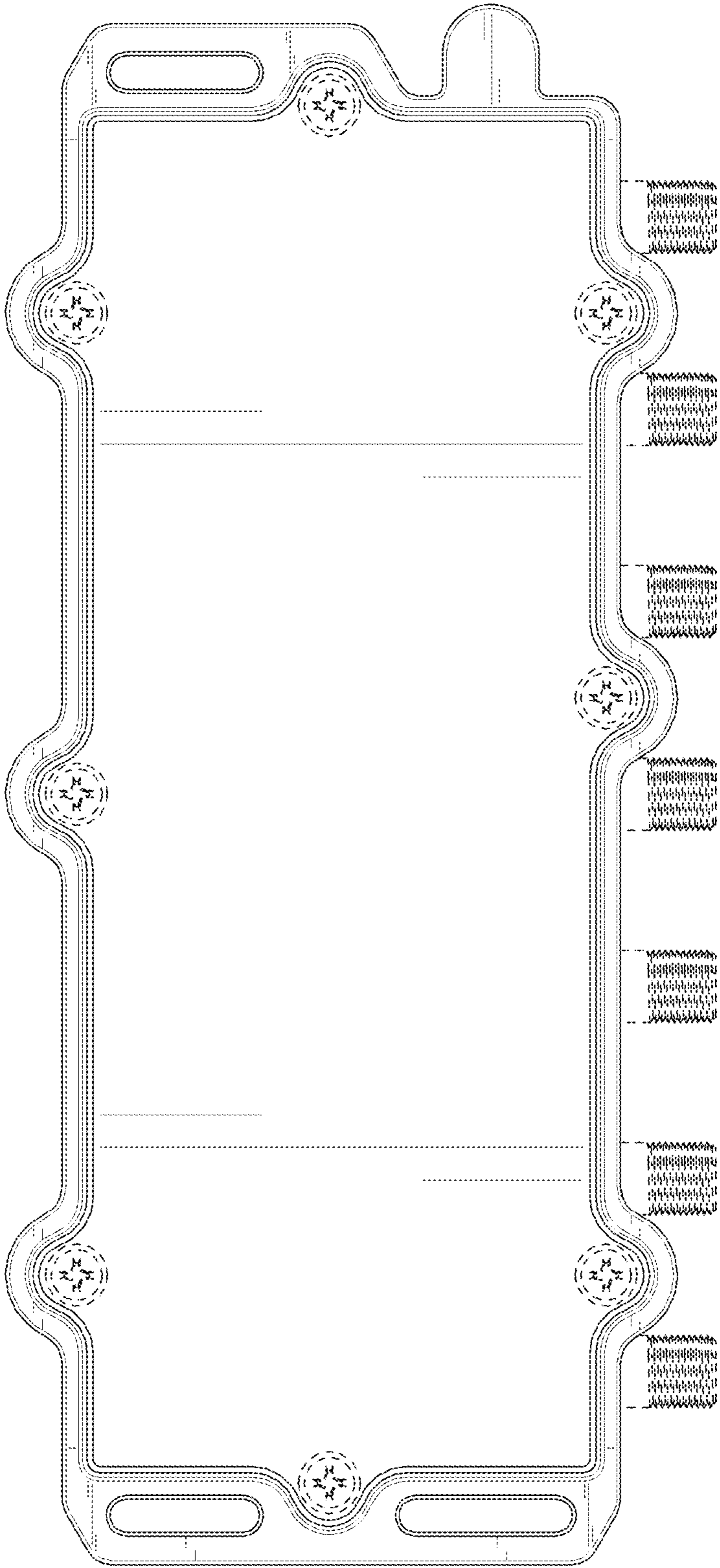


FIG. 2

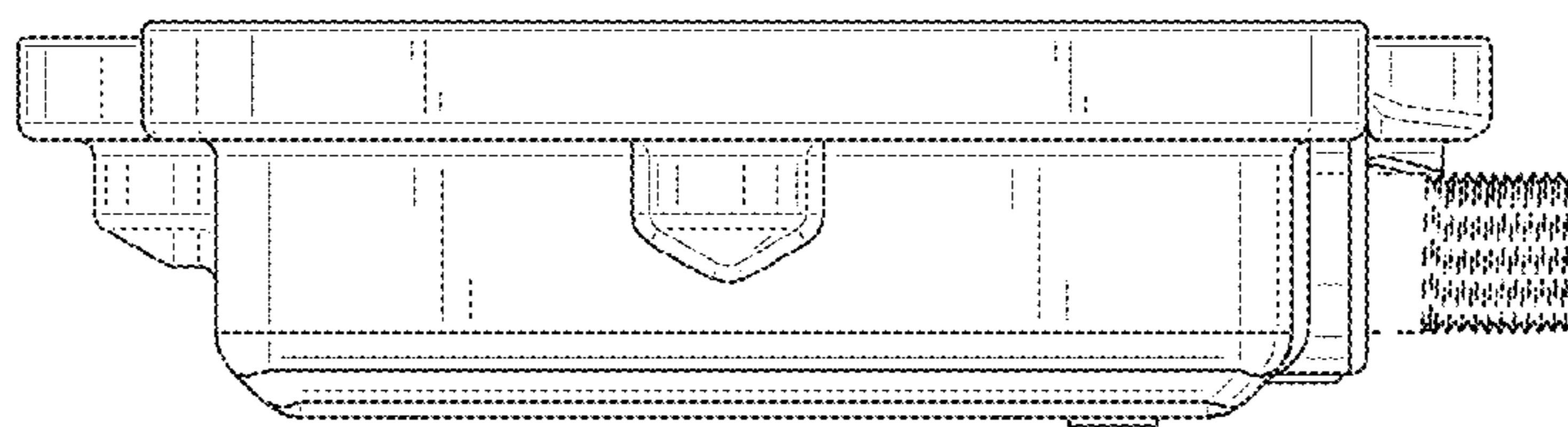


FIG. 4

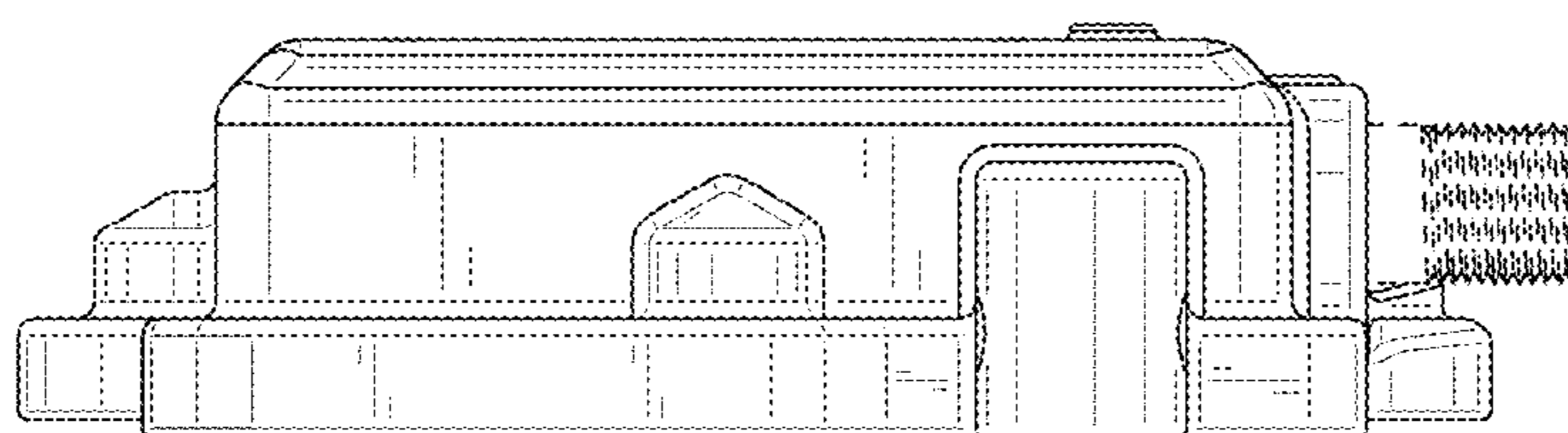


FIG. 3

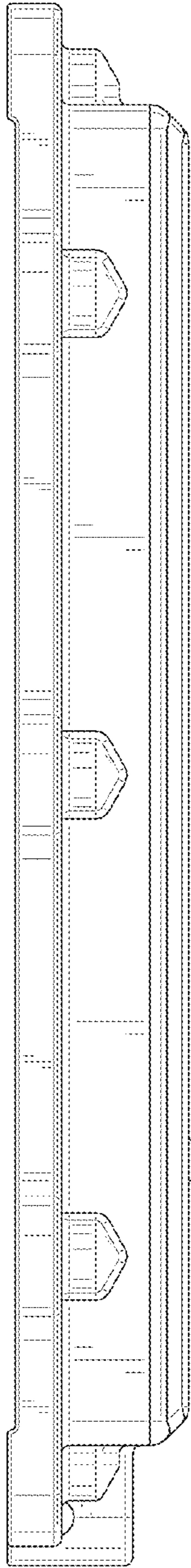


FIG. 5

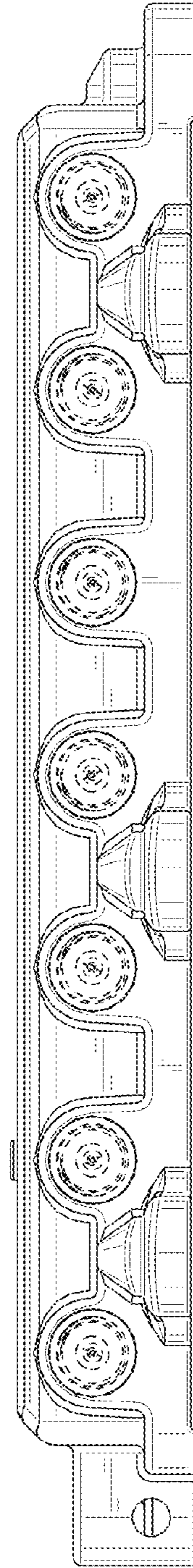


FIG. 6

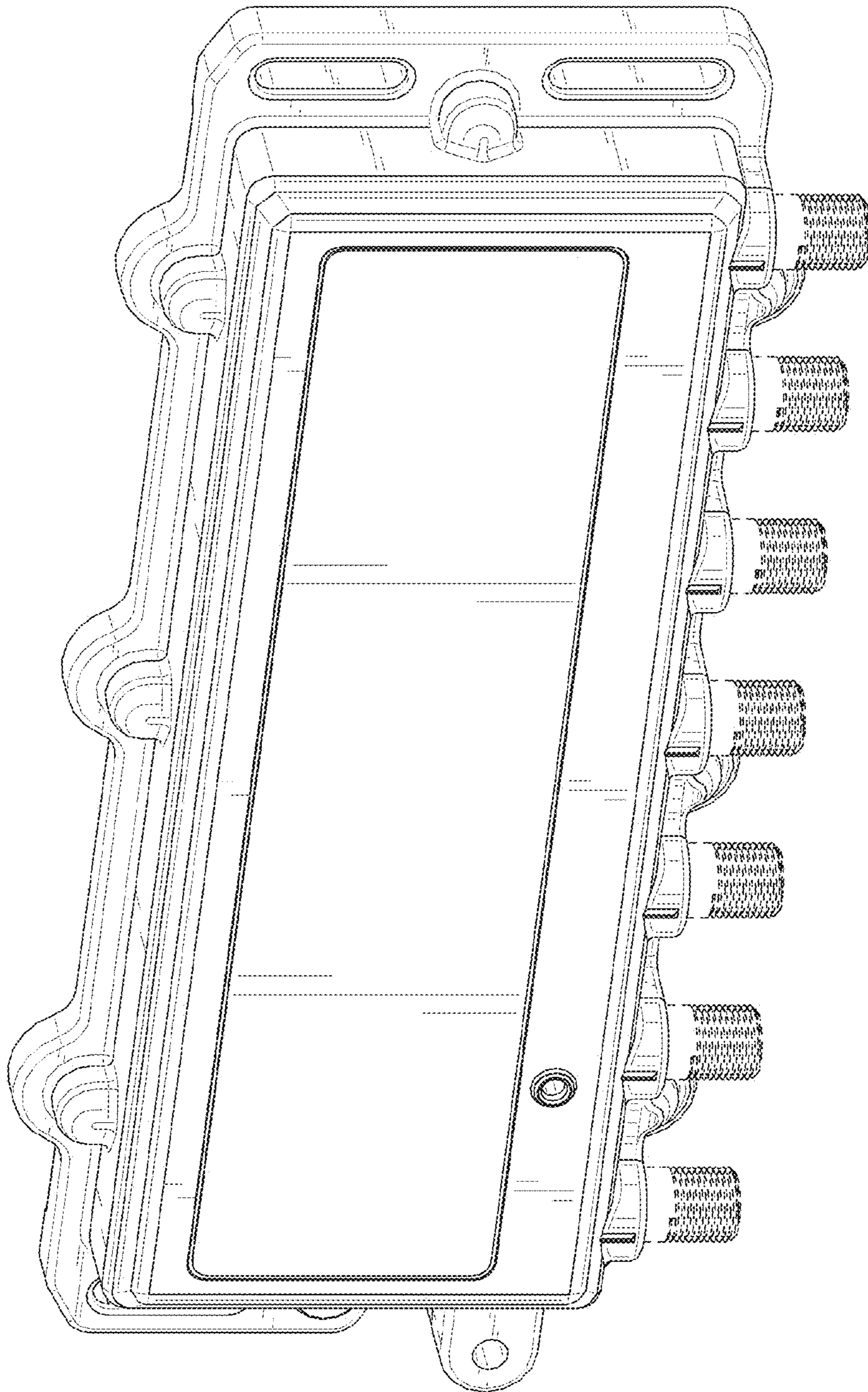


FIG. 7

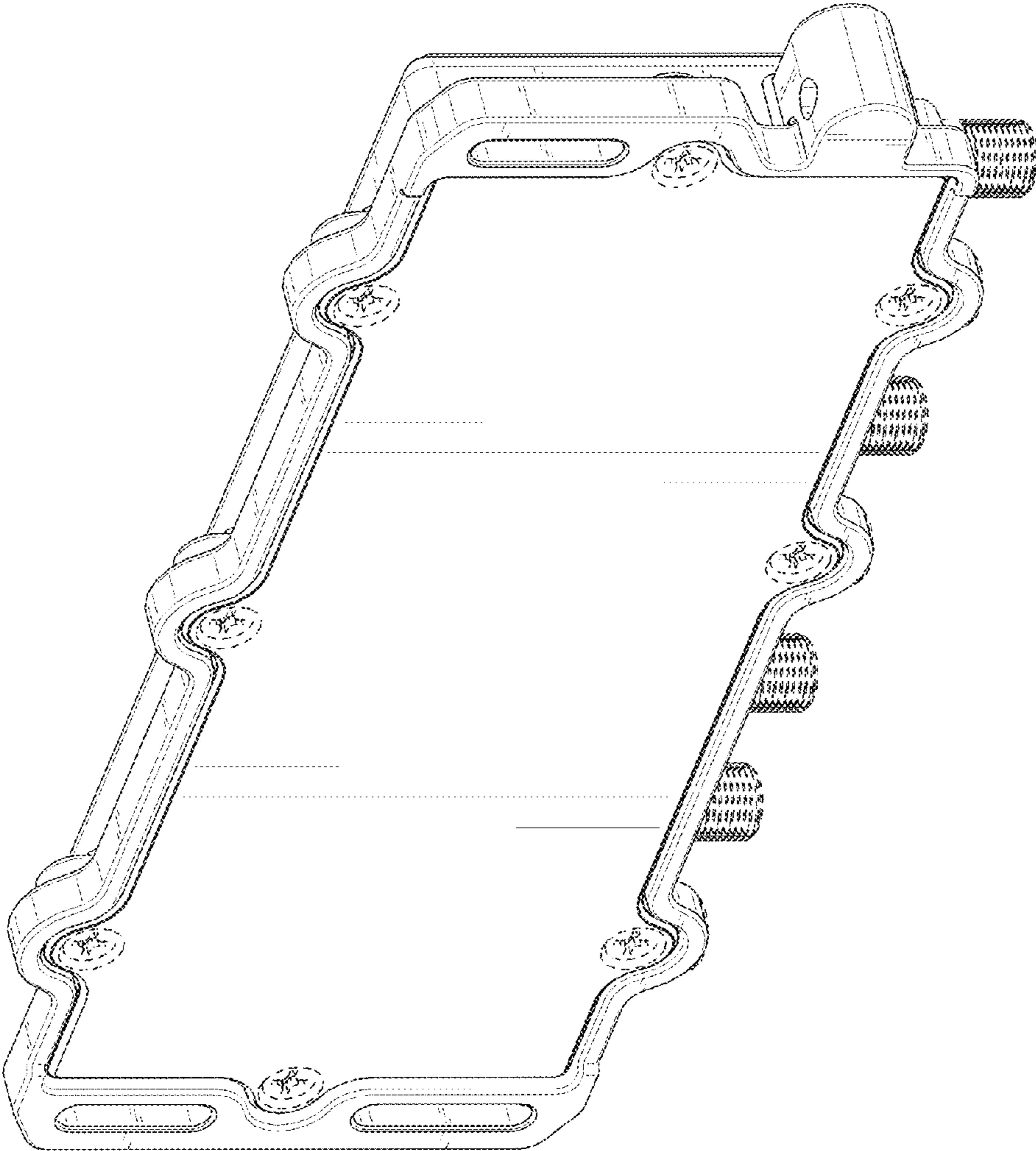


FIG. 8