



US00D751505S

(12) **United States Design Patent**
Katagiyama et al.

(10) **Patent No.:** **US D751,505 S**
(45) **Date of Patent:** **** Mar. 15, 2016**

(54) **OPTICAL CONNECTOR**

(71) Applicant: **Japan Aviation Electronics Industry, Limited**, Tokyo (JP)

(72) Inventors: **Naoki Katagiyama**, Tokyo (JP); **Yuichi Koreeda**, Tokyo (JP)

(73) Assignee: **Japan Aviation Electronics Industry, Limited**, Tokyo (JP)

(**) Term: **14 Years**

(21) Appl. No.: **29/502,621**

(22) Filed: **Sep. 18, 2014**

(30) **Foreign Application Priority Data**

Apr. 3, 2014 (JP) 2014-007391

(51) **LOC (10) Cl.** **13-03**

(52) **U.S. Cl.**
USPC **D13/133**

(58) **Field of Classification Search**
USPC D13/133, 146, 147, 154, 184, 199
See application file for complete search history.

(56) **References Cited**

U.S. PATENT DOCUMENTS

D422,356 S * 4/2000 Marano D24/114
D626,068 S * 10/2010 Giefers D13/133
D626,506 S * 11/2010 Giefers D13/133

D670,650 S * 11/2012 Ebihara D13/133
D691,560 S * 10/2013 Wang D13/133
D708,138 S * 7/2014 Sticker D13/133

FOREIGN PATENT DOCUMENTS

JP 1339764 S 9/2008
JP 1393147 S 7/2010

* cited by examiner

Primary Examiner — Daniel Bui

(74) *Attorney, Agent, or Firm* — Cermak Nakajima & McGowan LLP; Tomoko Nakajima

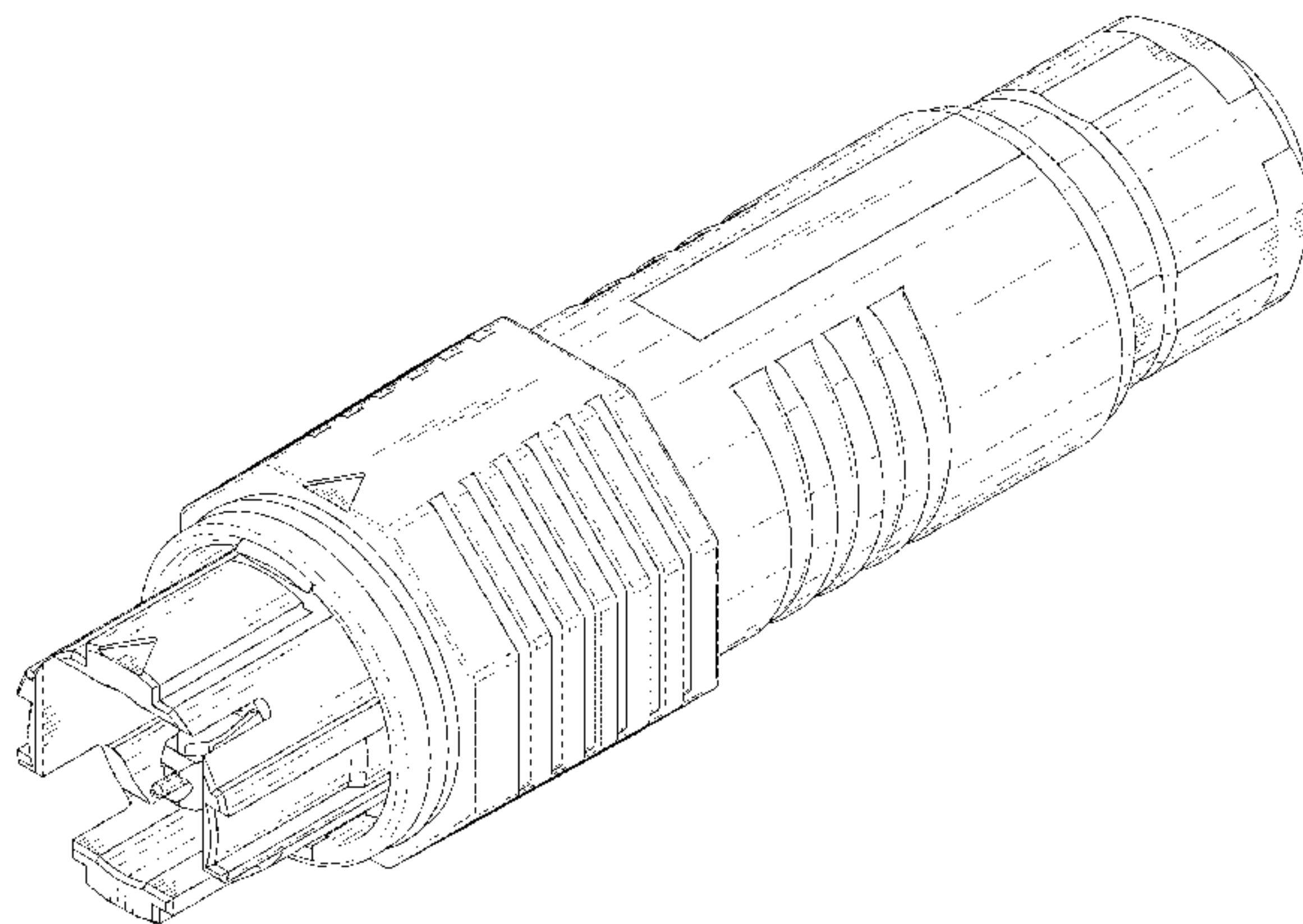
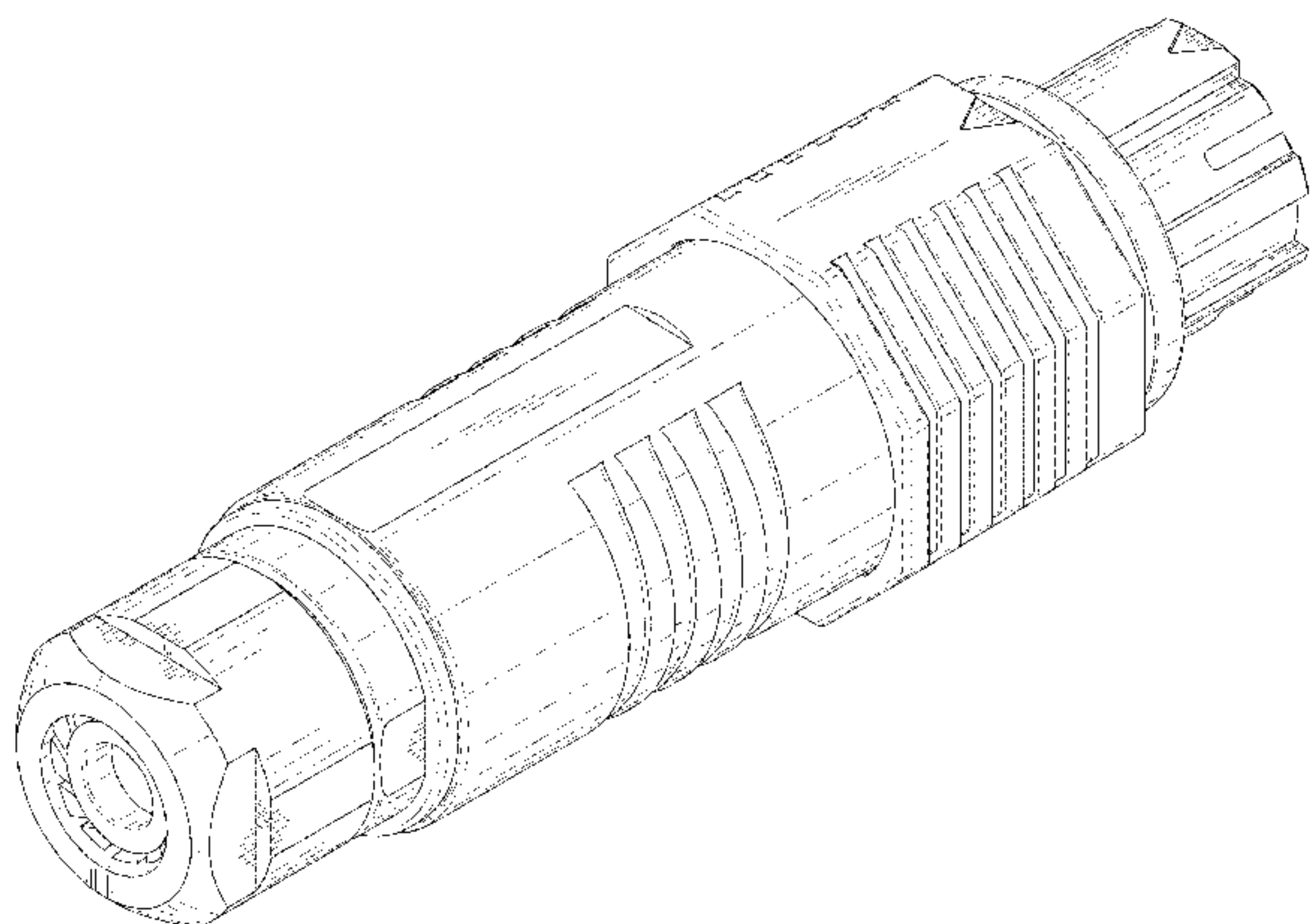
(57) **CLAIM**

The ornamental design for an optical connector, as shown.

DESCRIPTION

FIG. 1 is a front elevational view of an optical connector showing our new design;
FIG. 2 is a top plan view thereof;
FIG. 3 is a right side elevational view thereof;
FIG. 4 is a left side elevational view thereof;
FIG. 5 is a rear elevational view thereof; and
FIG. 6 is a bottom plan view thereof.
FIG. 7 is a front and top perspective view thereof;
FIG. 8 is a rear and top perspective view thereof;
FIG. 9 is a front and bottom perspective view thereof; and
FIG. 10 is a rear and bottom perspective view thereof.

1 Claim, 10 Drawing Sheets



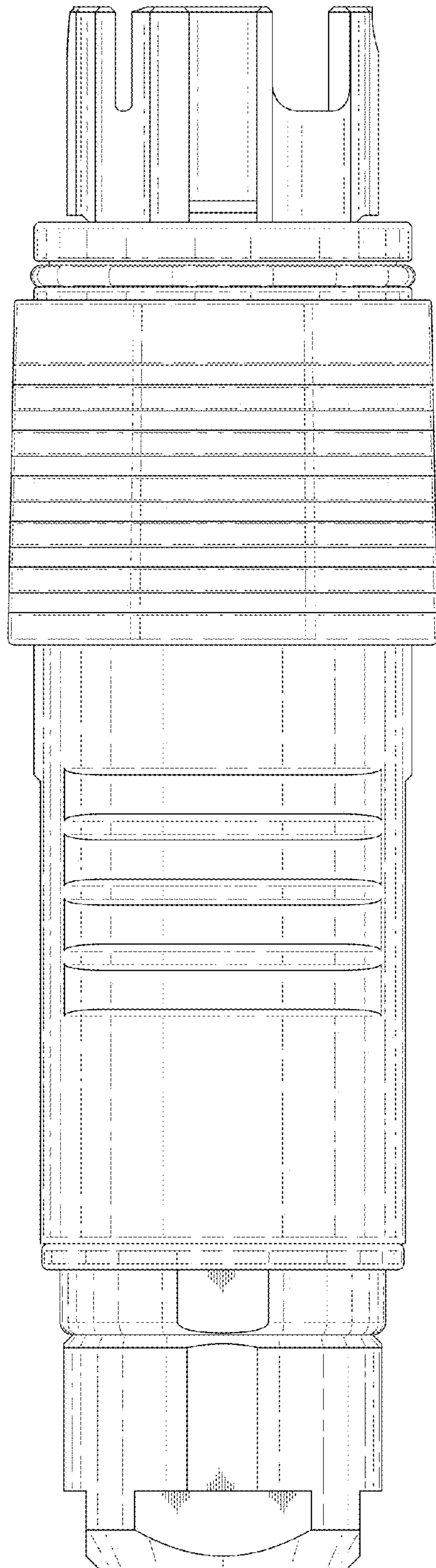


FIG.1

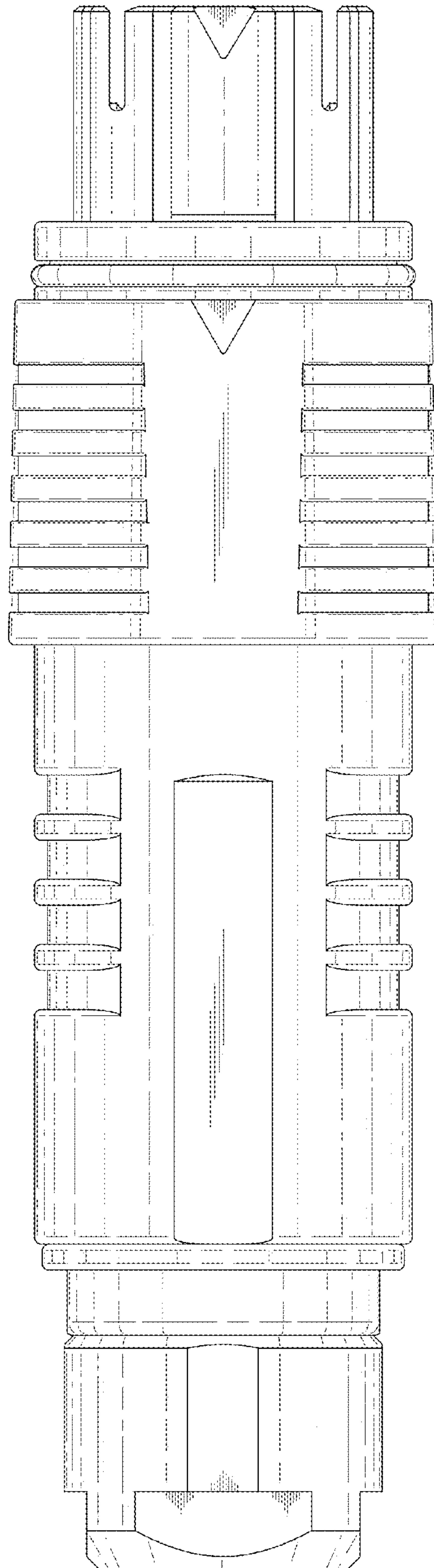


FIG.2

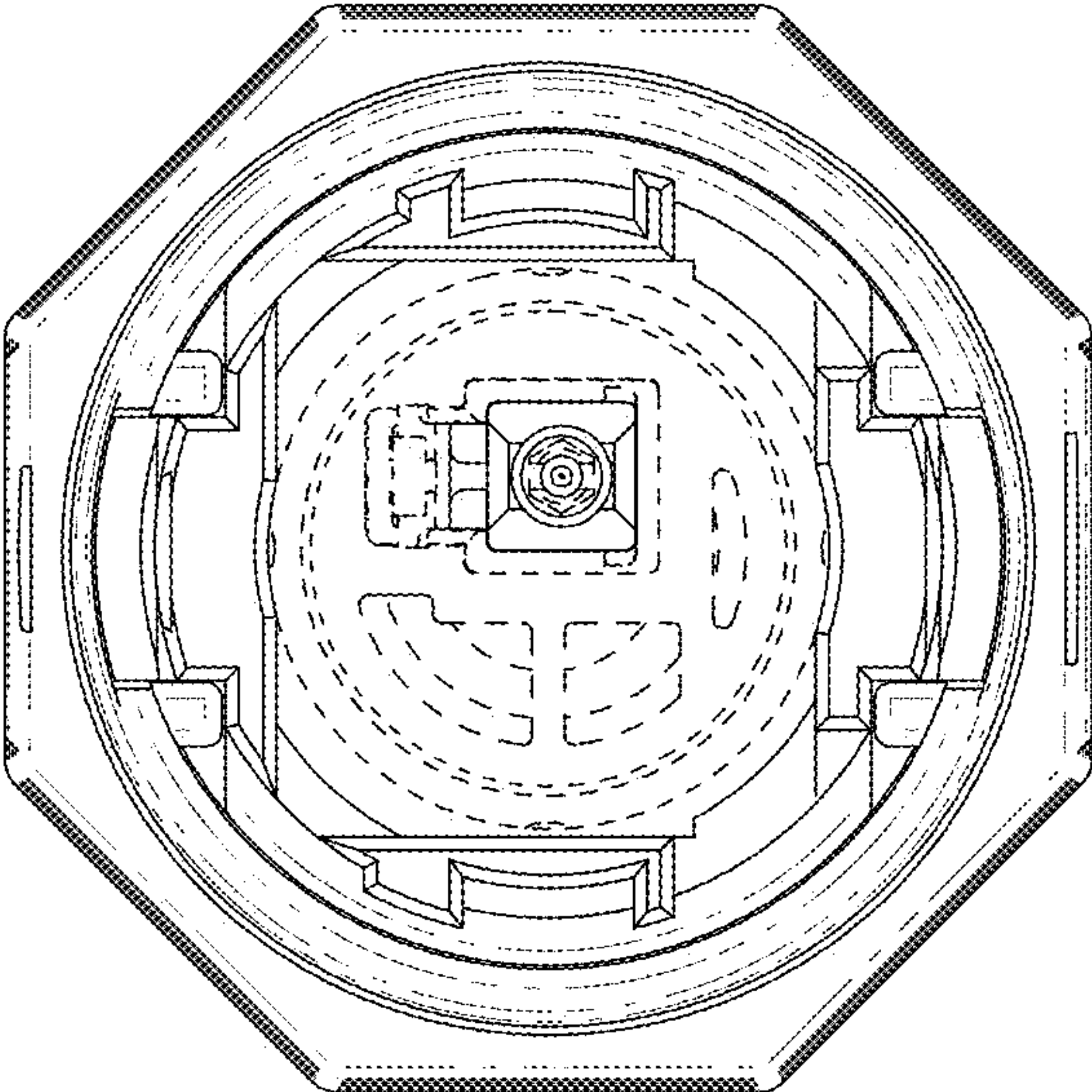


FIG.3

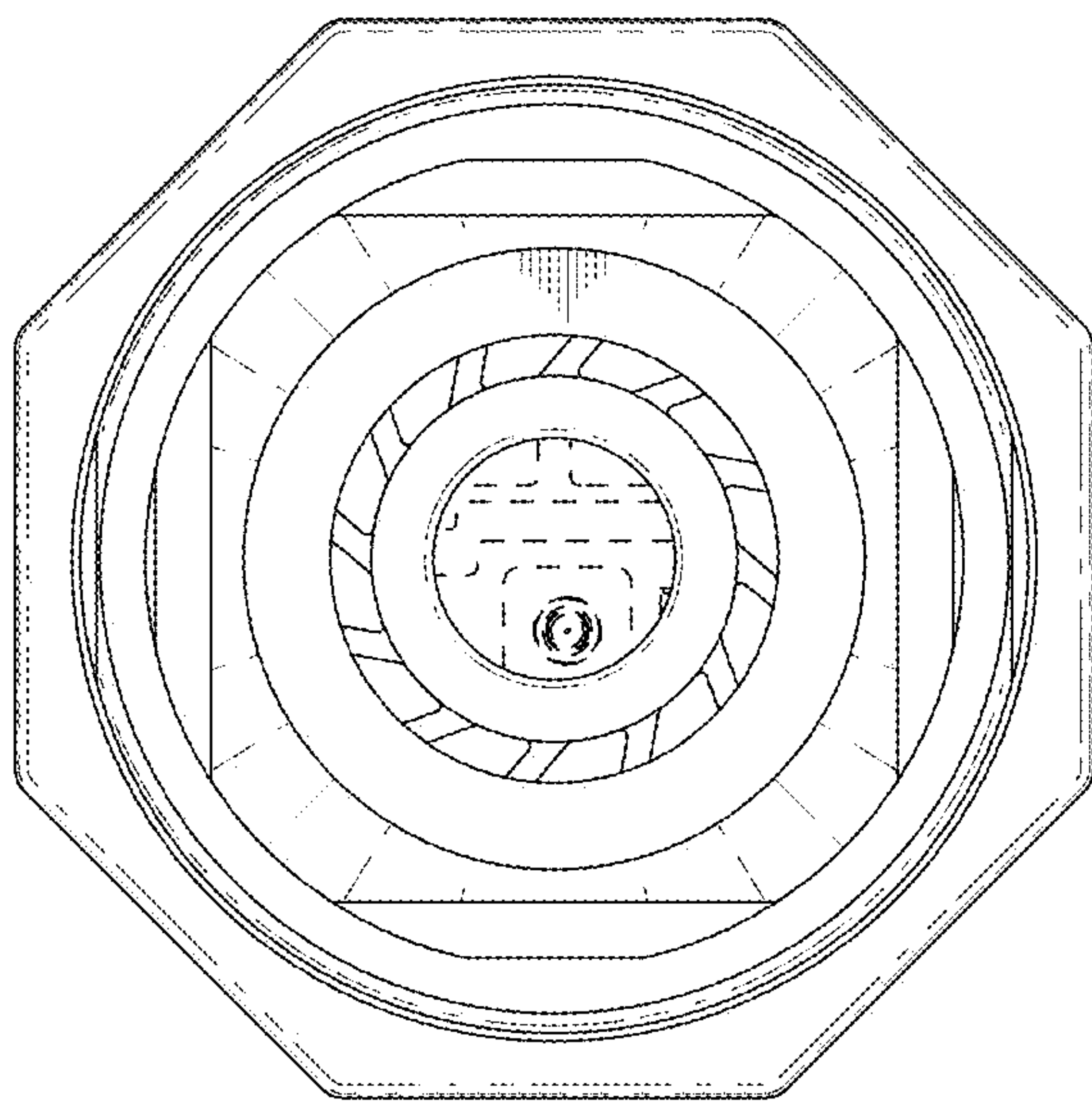


FIG.4

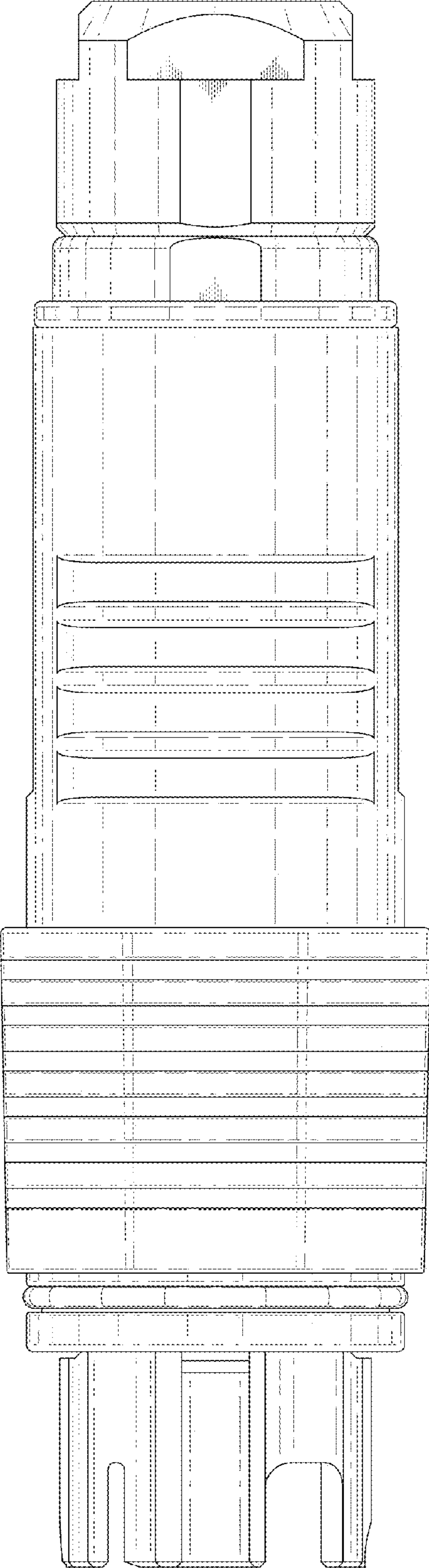


FIG.5

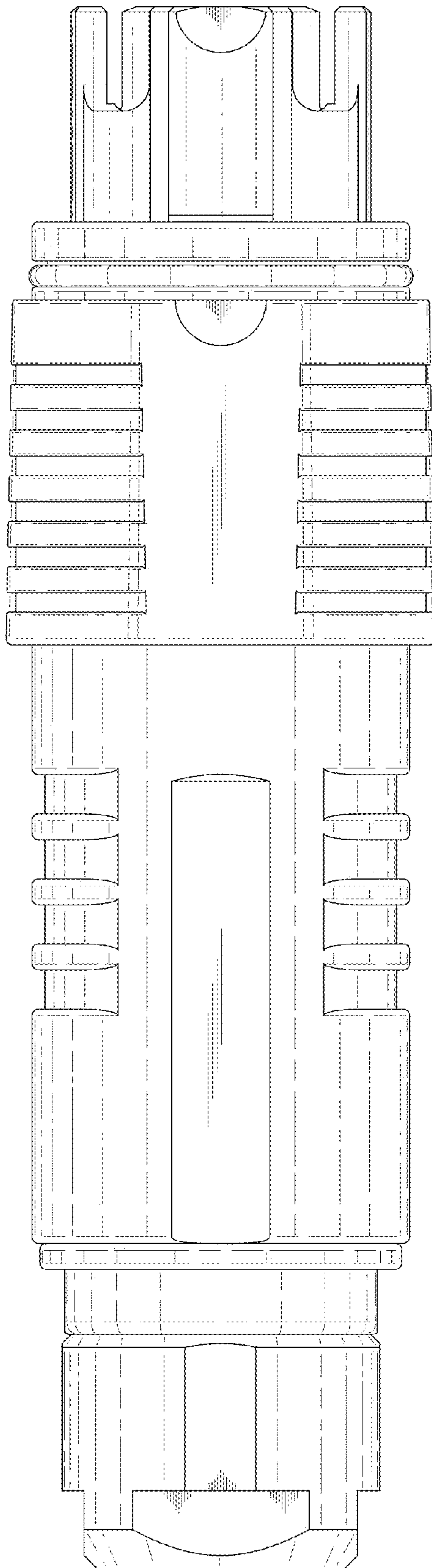


FIG.6

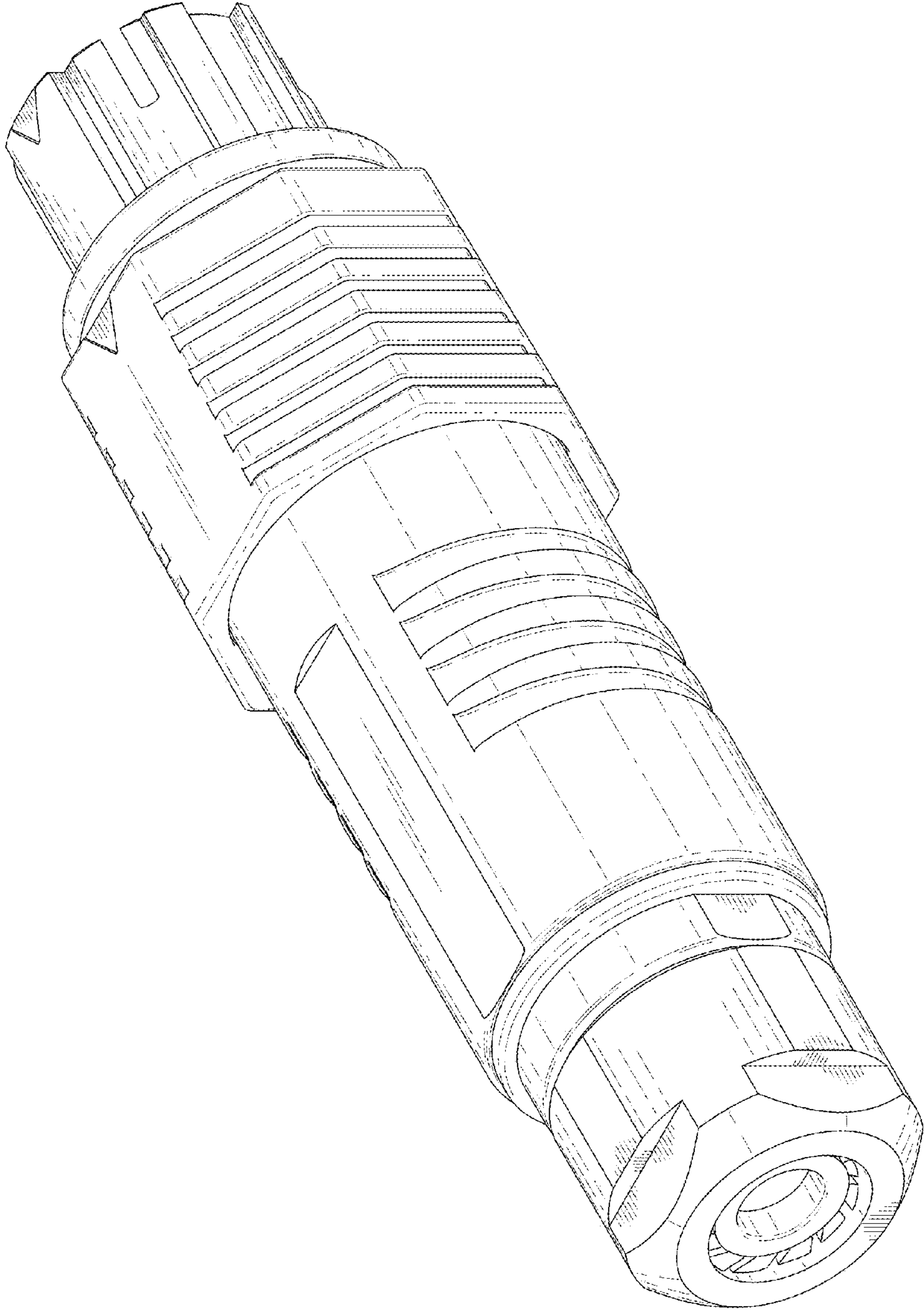


FIG.7

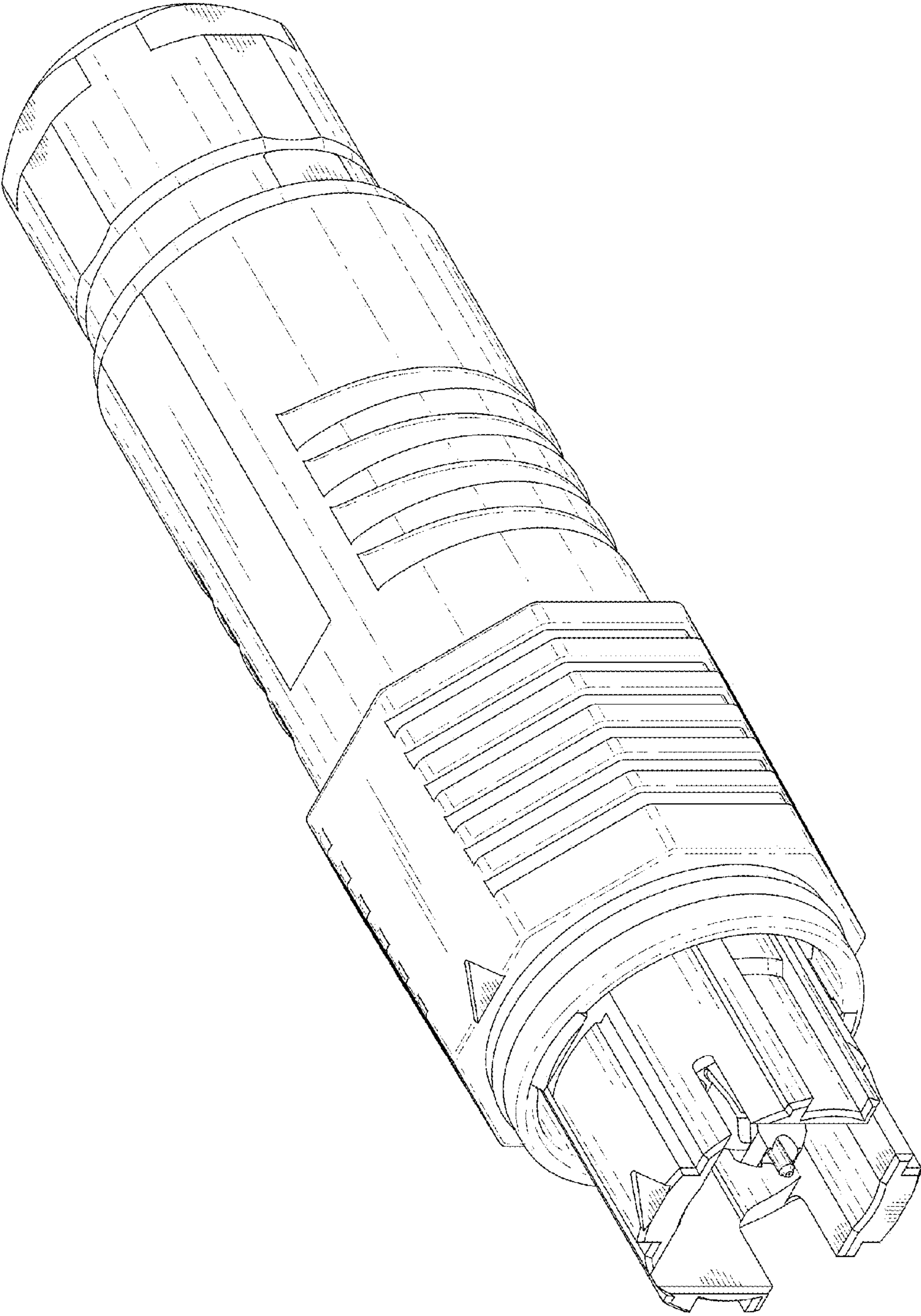


FIG.8

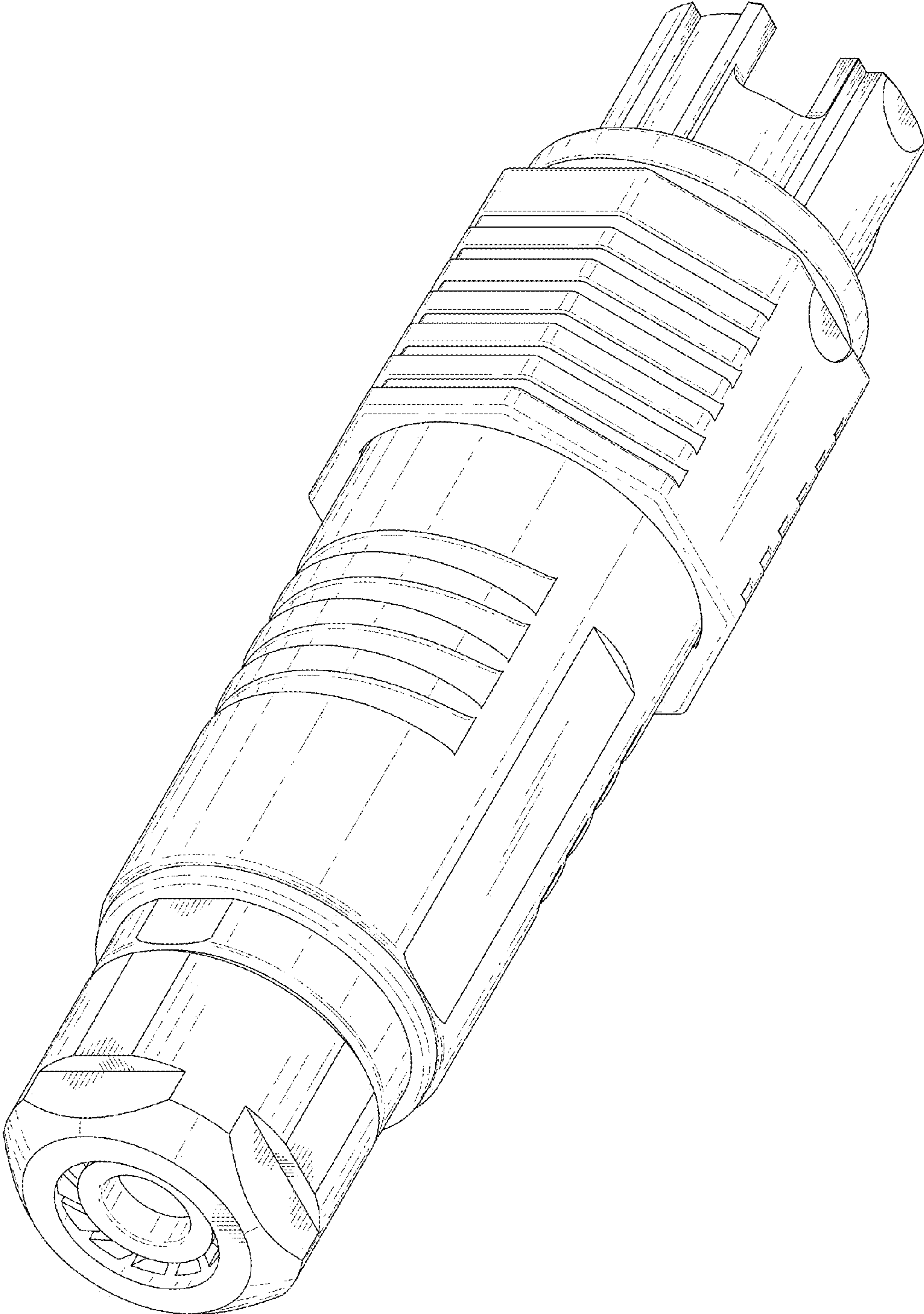


FIG.9

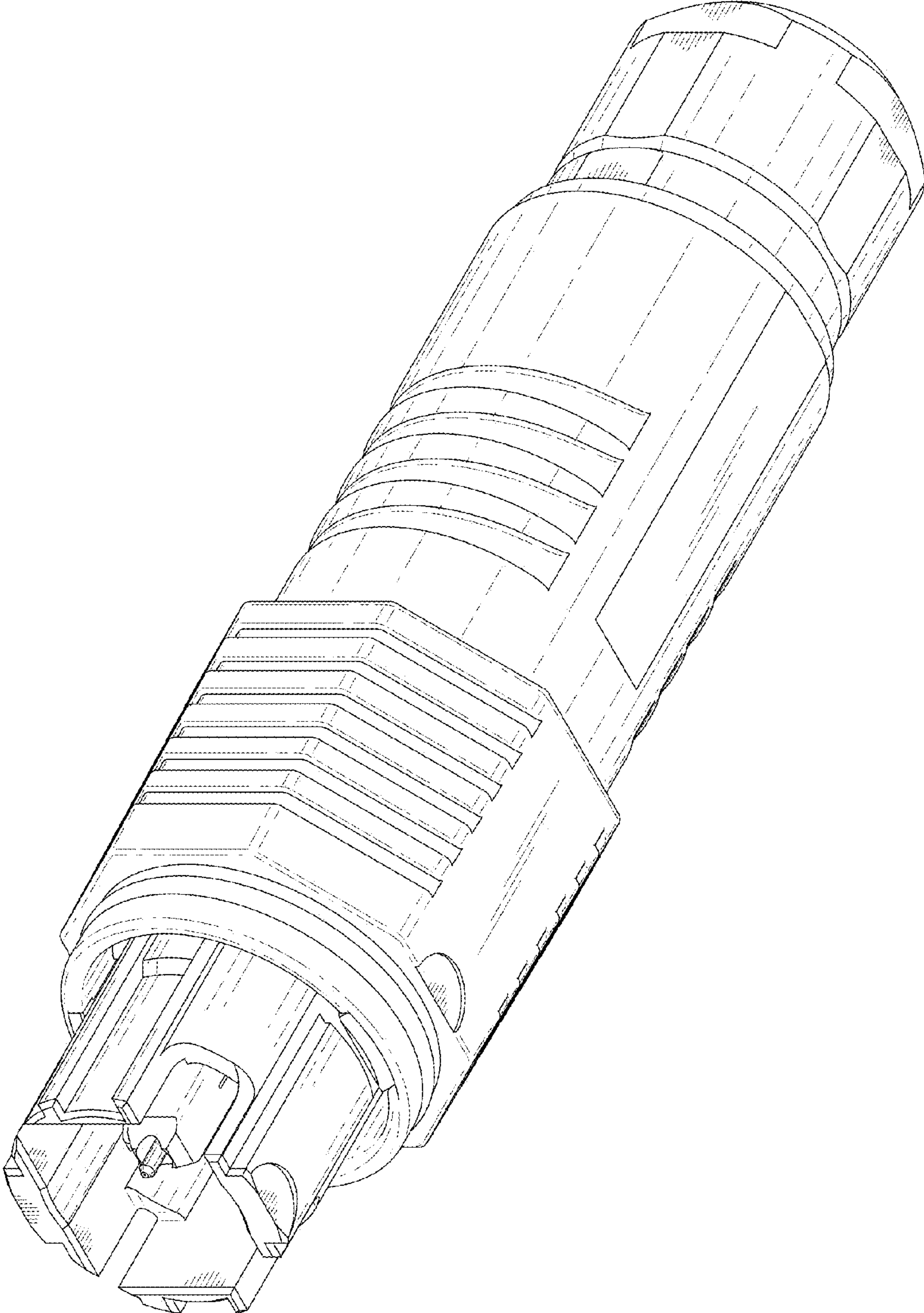


FIG.10