



US00D751504S

(12) **United States Design Patent**
Reiner et al.

(10) **Patent No.:** **US D751,504 S**
(45) **Date of Patent:** **** Mar. 15, 2016**

- (54) **VARIABLE SPEED DRIVE**
- (71) Applicant: **Schneider Toshiba Inverter Europe SAS**, Pacy sur Eure (FR)
- (72) Inventors: **Guillaume Reiner**, Grenoble (FR);
Emmanuel Combe, Grenoble (FR)
- (73) Assignee: **Schneider Toshiba Inverter Europe SAS**, Pacy sur Eure (FR)

D380,193	S	*	6/1997	Yamaguchi	D13/110
D438,176	S	*	2/2001	Cornu	D13/162
6,239,986	B1	*	5/2001	Otsuka	H05K 7/1427 361/728
D455,399	S	*	4/2002	Imamura	D13/110
D502,916	S	*	3/2005	Higuchi	D13/110
D503,379	S	*	3/2005	Gheno	D13/110
D558,141	S	*	12/2007	Kwon	D13/110
D560,607	S	*	1/2008	Suematsu	D13/110
D562,234	S	*	2/2008	Morihara	D13/110
D629,029	S	*	12/2010	Keppelen	D15/149

- (**) Term: **14 Years**
- (21) Appl. No.: **29/489,966**
- (22) Filed: **May 5, 2014**

- (30) **Foreign Application Priority Data**
Nov. 5, 2013 (EM) 002338665-0001
- (51) **LOC (10) Cl.** **13-02**
- (52) **U.S. Cl.**
USPC **D13/110**
- (58) **Field of Classification Search**
USPC D13/110, 101, 123, 162, 164, 184, 199;
307/150-152; 361/600, 601, 622, 702,
361/703, 730, 796, 809; 363/141, 142;
D15/149
CPC H02M 7/00; H02M 7/02; H02M 7/003;
H05K 5/00; H05K 5/0017; H05K 7/00;
H05K 7/1427; H05K 7/20918
See application file for complete search history.

- (56) **References Cited**
U.S. PATENT DOCUMENTS
4,620,263 A * 10/1986 Ito H05K 7/20918
361/690
5,497,289 A * 3/1996 Sugishima H02M 7/003
318/558

OTHER PUBLICATIONS

U.S. Appl. No. 29/489,948, filed May 5, 2014, Reiner, et al.
U.S. Appl. No. 29/489/943, filed May 5, 2014, Reiner, et al.

* cited by examiner

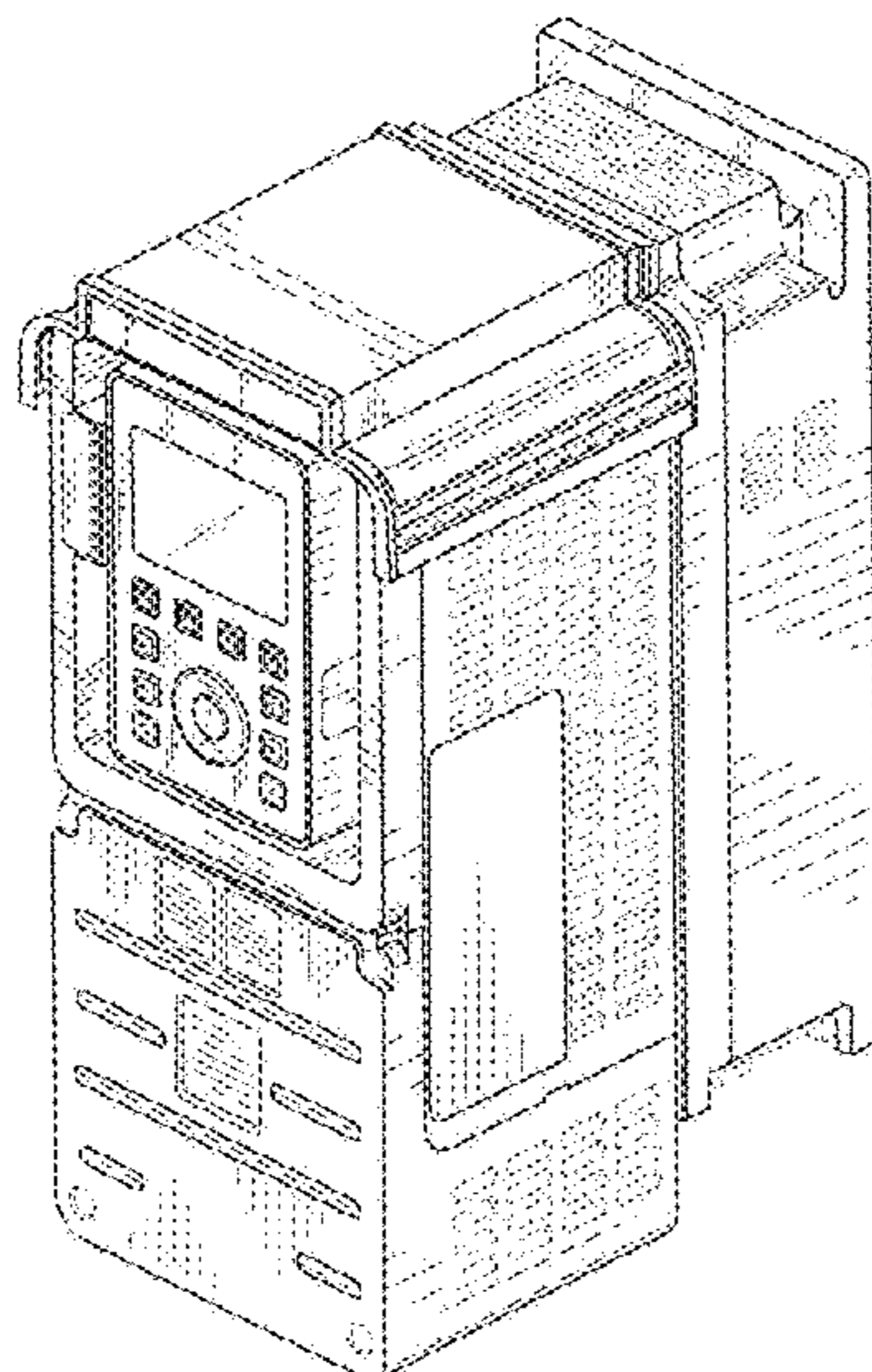
Primary Examiner — Derrick Holland
(74) *Attorney, Agent, or Firm* — Oblon, McClelland, Maier & Neustadt, L.L.P.

(57) **CLAIM**
The ornamental design for a variable speed drive, as shown and described.

DESCRIPTION

FIG. 1 is a front, top, and right side perspective view of a variable speed drive;
FIG. 2 is a front, bottom and left side perspective view thereof;
FIG. 3 is a rear, bottom and right side perspective view thereof;
FIG. 4 is a front elevation view thereof; and,
FIG. 5 is a left side elevational view thereof.
The broken lines in the drawings depict environmental subject matter only and form no part of the claimed design.

1 Claim, 5 Drawing Sheets



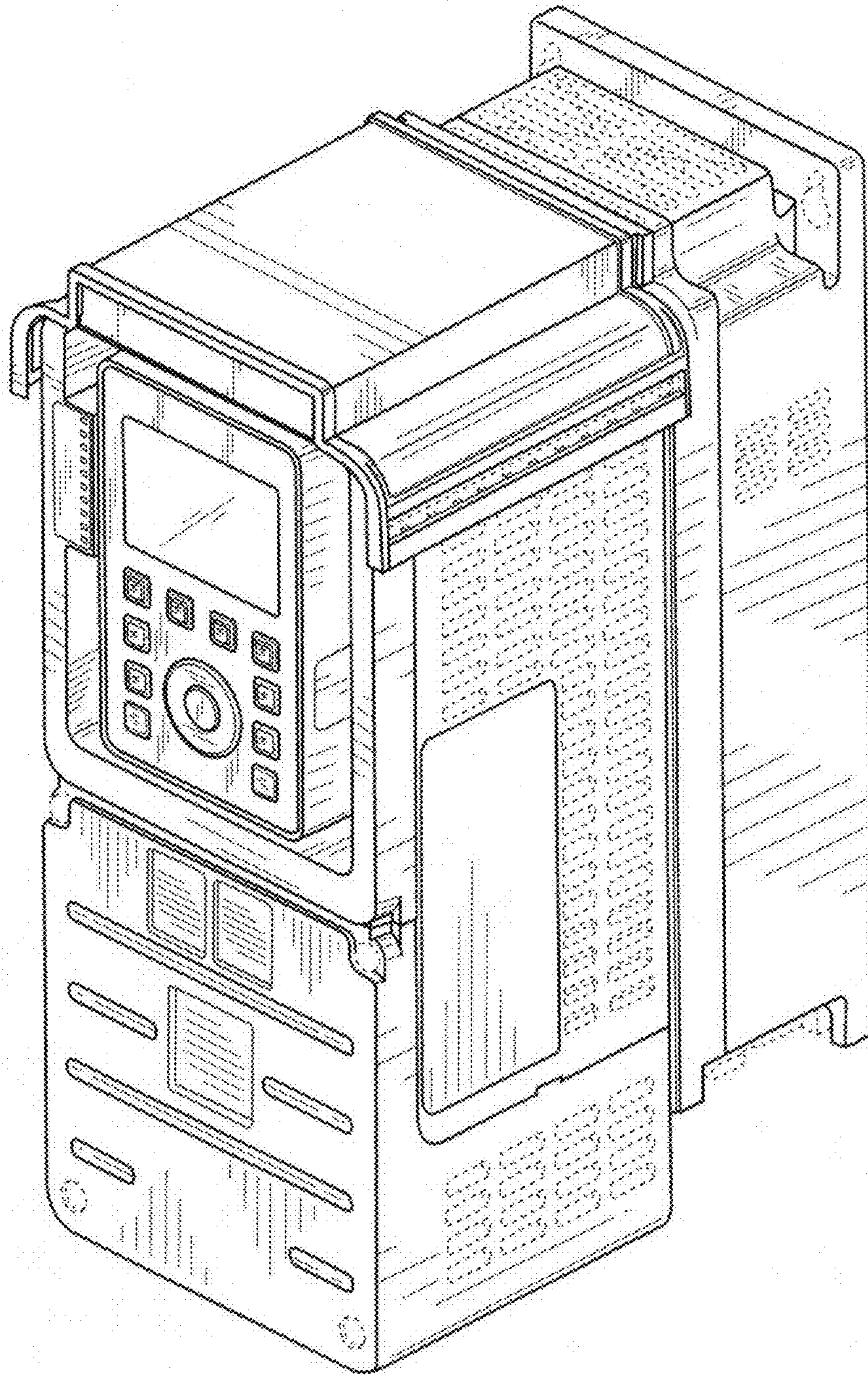


FIG. 1

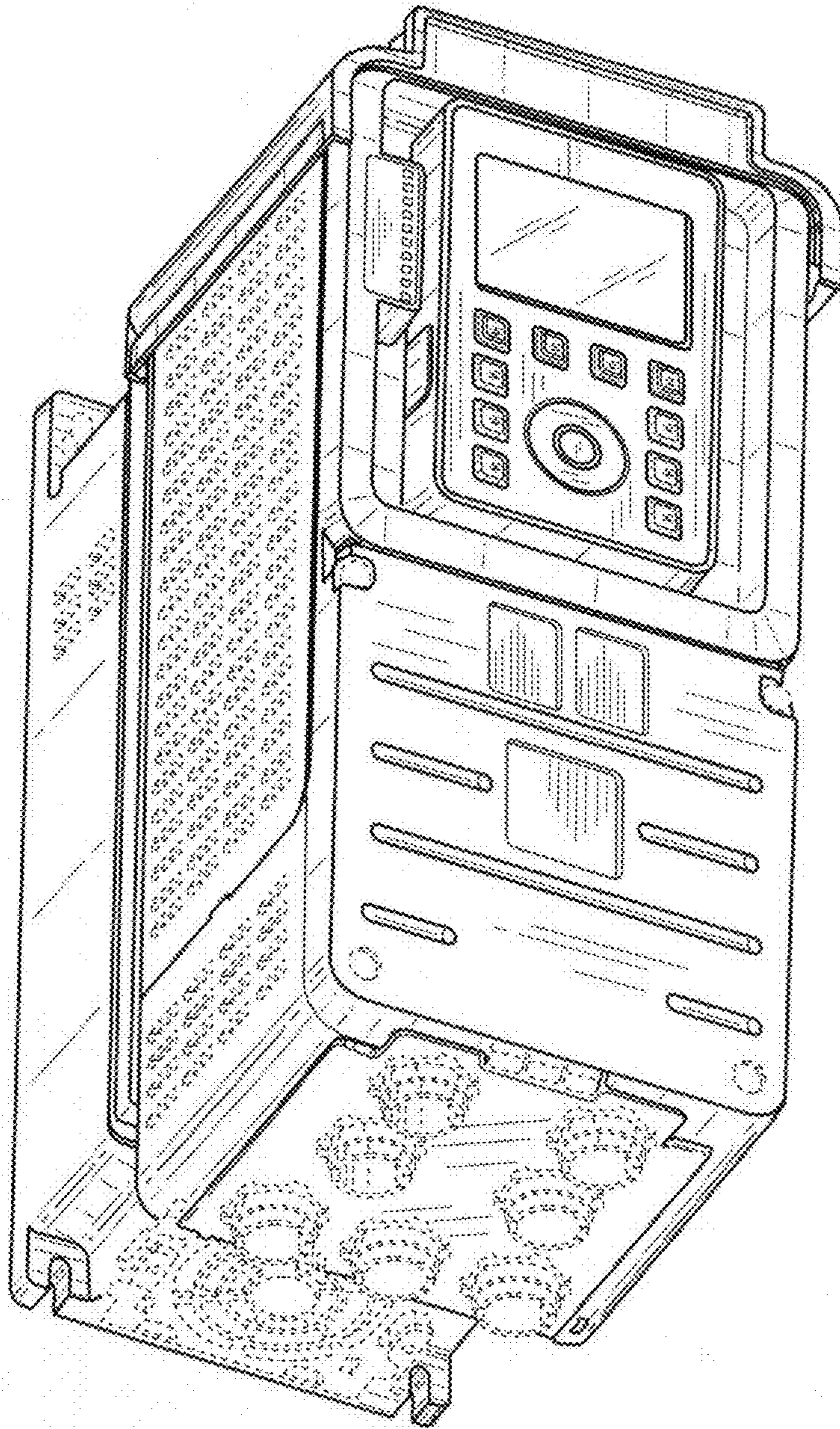


FIG. 2

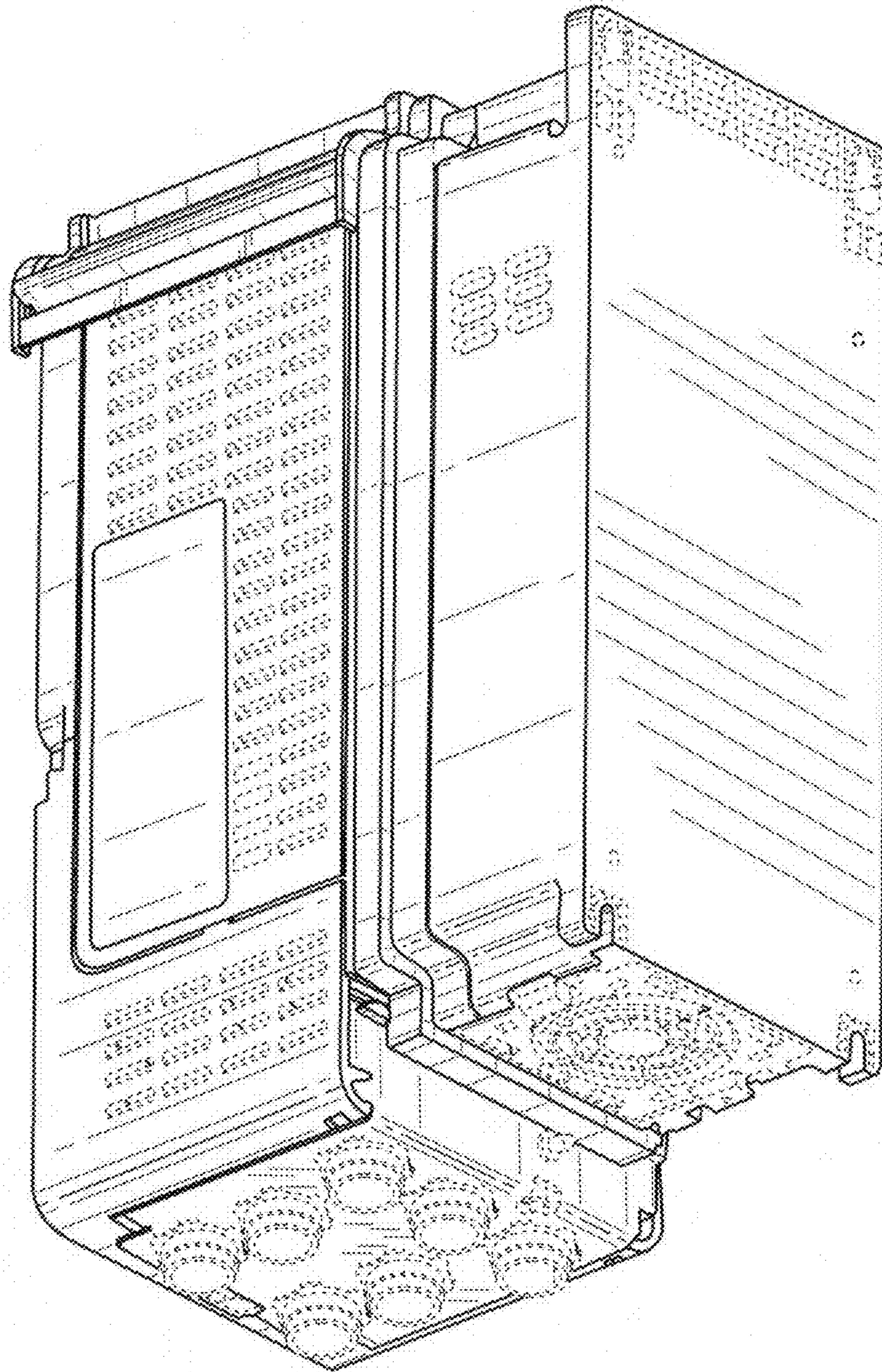


FIG. 3

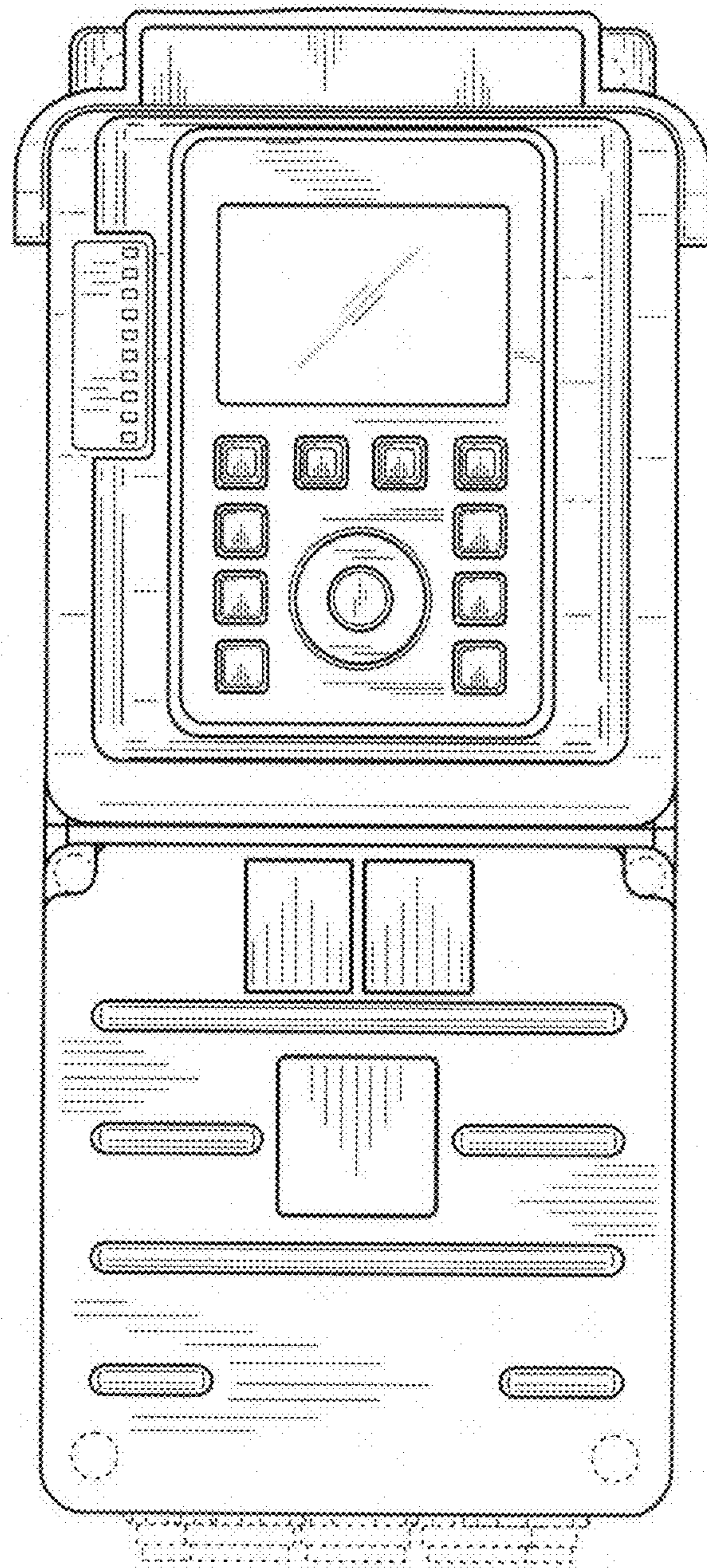


FIG. 4

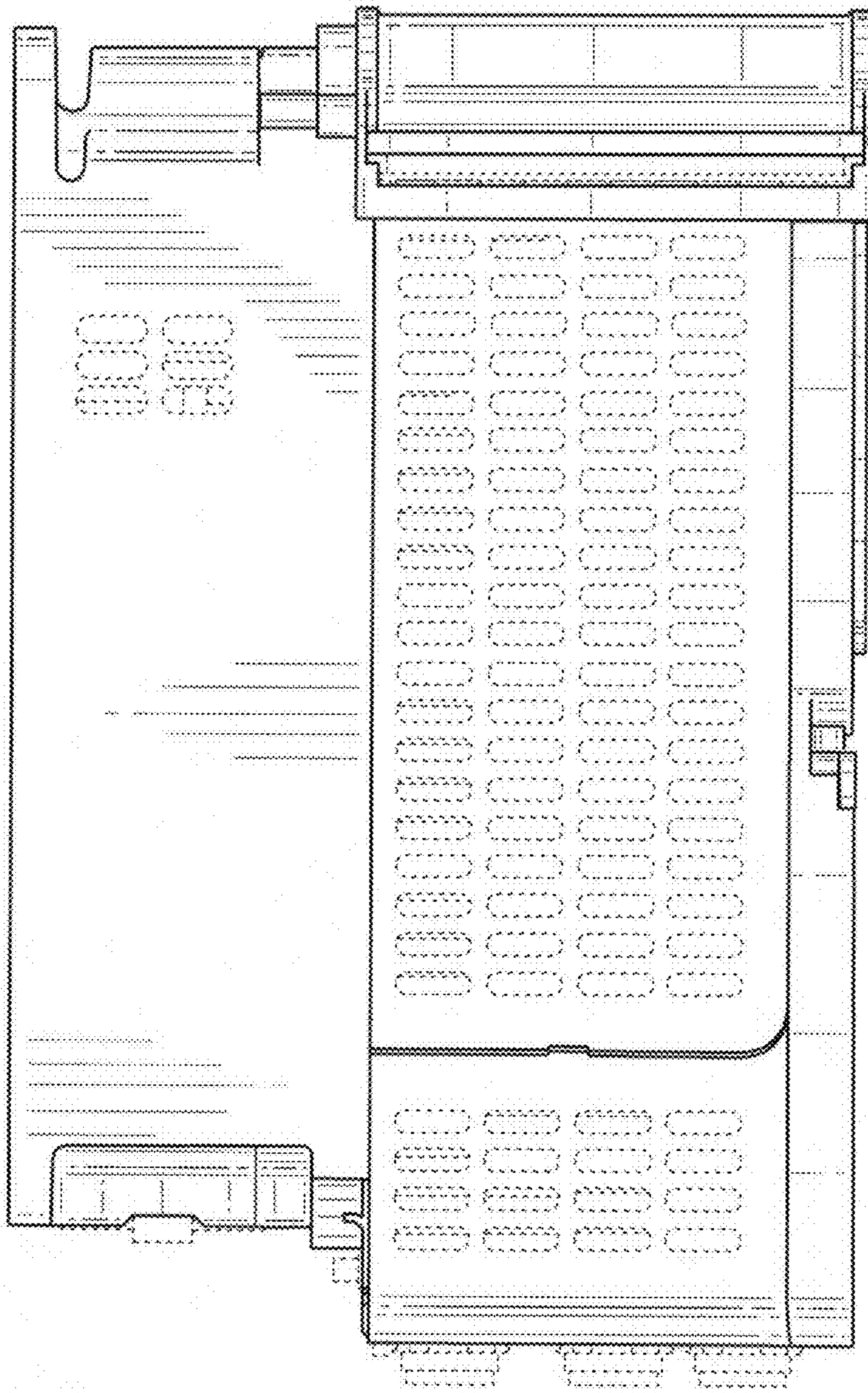


FIG. 5