

US00D751503S

(12) **United States Design Patent**
Fournier et al.

(10) **Patent No.:** **US D751,503 S**
(45) **Date of Patent:** **** Mar. 15, 2016**

(54) **FLAMELESS CANDLE RECHARGING TRAY**

H01M 10/482; H01M 2200/30; H01M 2250/30; H01M 2250/40

(71) Applicant: **WINVIC SALES INC.**, Markham (CA)

See application file for complete search history.

(72) Inventors: **Bernard Fournier**, Delson (CA);
Frédéric Boucher, Delson (CA); **Carlos Carpintero**, Delson (CA)

(56) **References Cited**

U.S. PATENT DOCUMENTS

(73) Assignee: **Winvic Sales Inc.**, Markham, Ontario (CA)

D278,426 S *	4/1985	Lanci	D13/107
4,764,853 A	8/1988	Thomas et al.	
D326,200 S	5/1992	Allen	
D348,046 S	6/1994	Hulsebus	
D350,329 S	9/1994	Lindeman	
D395,281 S *	6/1998	Waldner	D13/108
D397,084 S *	8/1998	Siddoway	D13/107
5,814,968 A	9/1998	Lovegreen et al.	
D413,021 S	8/1999	Wheatley	
D444,472 S *	7/2001	Russell	D14/434
D446,854 S *	8/2001	Cheney, II	D13/108
D461,814 S *	8/2002	Felix	D13/108
D462,657 S *	9/2002	Kaneko	D13/107
6,479,965 B2	11/2002	Barbeau et al.	
D476,659 S *	7/2003	Ying	D14/434
D486,787 S *	2/2004	Krieger	D13/108

(**) Term: **15 Years**

(21) Appl. No.: **29/533,318**

(22) Filed: **Jul. 16, 2015**

Related U.S. Application Data

(63) Continuation of application No. 29/478,066, filed on Dec. 31, 2013, now Pat. No. Des. 734,718, which is a continuation of application No. 14/077,736, filed on Nov. 12, 2013, now Pat. No. 8,878,485, which is a continuation of application No. 13/096,424, filed on Apr. 28, 2011, now Pat. No. 8,579,461.

(Continued)

Primary Examiner — Rosemary K Tarcza

(74) *Attorney, Agent, or Firm* — McAndrews, Held & Malloy, Ltd.

(51) **LOC (10) Cl.** **13-02**

(52) **U.S. Cl.**
USPC **D13/108**

(58) **Field of Classification Search**
USPC D13/107–110, 118–119, 133, 184, 199;
D14/251, 253, 432, 434; 320/107–115

(57) **CLAIM**

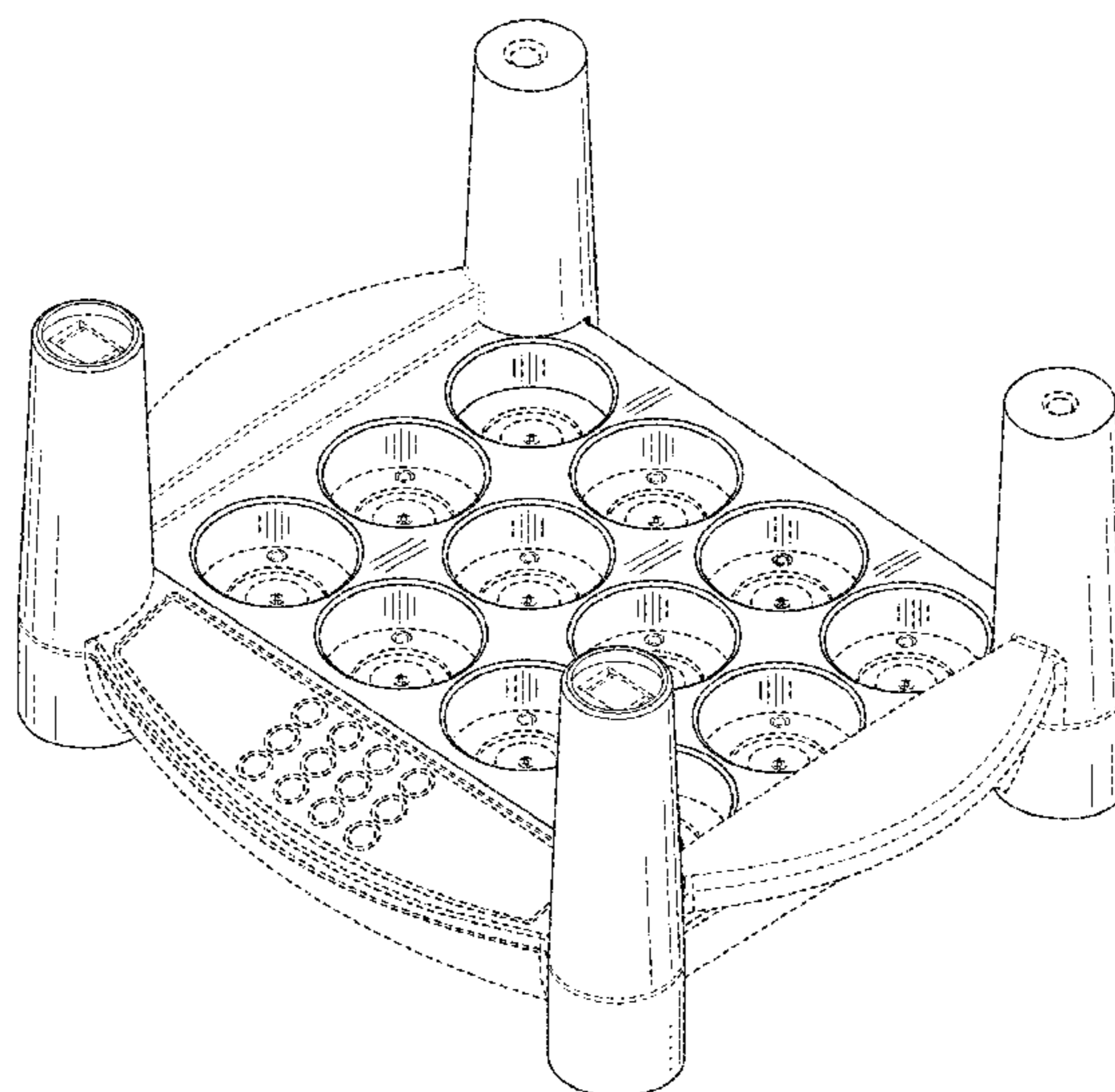
The ornamental design for a flameless candle recharging tray, as shown and described.

CPC Y02E 60/10; Y02E 60/12; Y02E 60/122;
Y02E 60/124; Y02E 60/50; H01M 2/02;
H01M 2/022; H01M 2/0202; H01M 2/0207;
H01M 2/0212; H01M 2/1061; H01M 2/1022;
H01M 2/1055; H01M 2/1066; H01M 2/105;
H01M 2/20; H01M 2/202; H01M 2/204;
H01M 2/206; H02J 7/00; H02J 7/0003;
H02J 7/0011; H02J 7/0013; H02J 7/0054;
H02J 7/0055; H02J 7/0057; H02J 2007/0062;
H01M 10/44; H01M 10/46; H01M 10/465;

DESCRIPTION

FIG. 1 is a top perspective view for a first embodiment of a flameless candle recharging tray; and, FIG. 2 is a bottom perspective view thereof. The dotted lines are for environmental purposes only and form no part of the claimed design. Any portion not shown is not part of the claimed design.

1 Claim, 2 Drawing Sheets



(56)

References Cited

U.S. PATENT DOCUMENTS

6,926,423 B2	8/2005	Bucher et al.		8,007,144 B2	8/2011	Lederer	
D510,562 S	10/2005	Lodato		8,210,708 B2	7/2012	Hau	
D519,921 S	5/2006	Claxton		8,378,624 B2	2/2013	Boyles	
D520,447 S	5/2006	Liu		D680,066 S *	4/2013	Kinoshita	D13/107
D523,810 S	6/2006	Doong		8,454,190 B2	6/2013	Hau	
D526,995 S *	8/2006	Claxton	D13/108	8,704,485 B1	4/2014	Tsukamoto	
D528,072 S	9/2006	Chen		D710,797 S	8/2014	Awiszus	
D530,667 S *	10/2006	Viduya	D13/107	D710,798 S *	8/2014	Awiszus	D13/107
D567,171 S	4/2008	Yu		D712,828 S *	9/2014	Delrue	D13/108
D588,536 S	3/2009	Wahl		2005/0169666 A1	8/2005	Porchia et al.	
D591,674 S *	5/2009	McConnell	D13/107	2005/0264261 A1	12/2005	Barbeau	
D601,953 S *	10/2009	Asai	D13/107	2007/0114969 A1	5/2007	Marmaropoulos	
D605,587 S *	12/2009	Nomi	D13/107	2007/0223217 A1	9/2007	Hsu	
D609,637 S	2/2010	Chu		2007/0258226 A1	11/2007	Ong et al.	
D609,638 S *	2/2010	Biheller	D13/108	2010/0060232 A1 *	3/2010	Boyles	H02J 7/0027 320/107
D629,355 S	12/2010	Bodley		2010/0124050 A1	5/2010	Hau	
D631,435 S	1/2011	Cacioppo		2011/0121783 A1	5/2011	Boyles	
D638,020 S	5/2011	Johnson		2013/0088190 A1 *	4/2013	Kang	B01F 7/00916 320/107
D638,790 S	5/2011	Daniel		2013/0265748 A1	10/2013	Hau	
7,967,484 B2	6/2011	Lederer		2013/0285606 A1	10/2013	Ben-Shalom	
				2014/0266008 A1	9/2014	Partee	

* cited by examiner

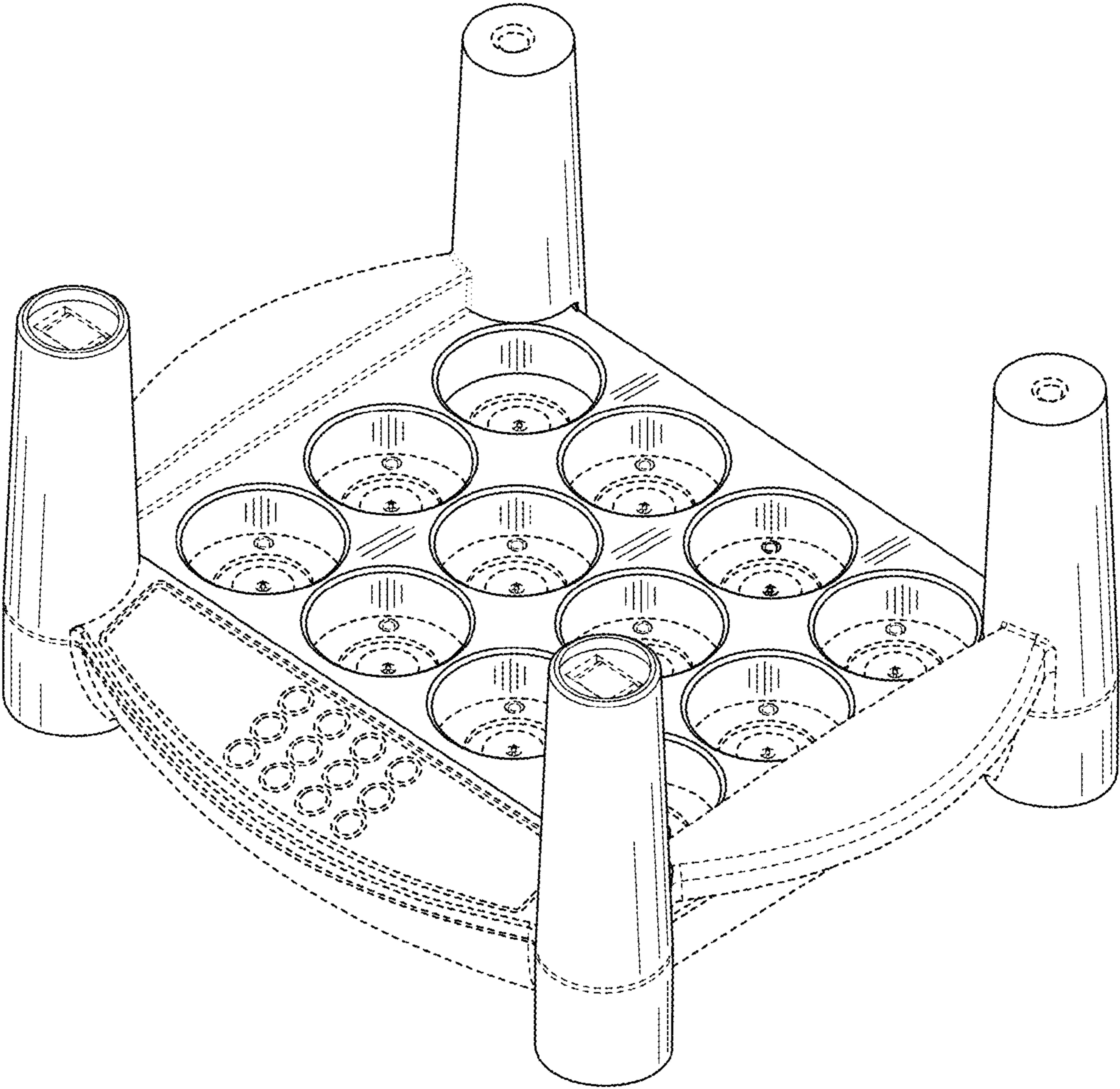


FIG. 1

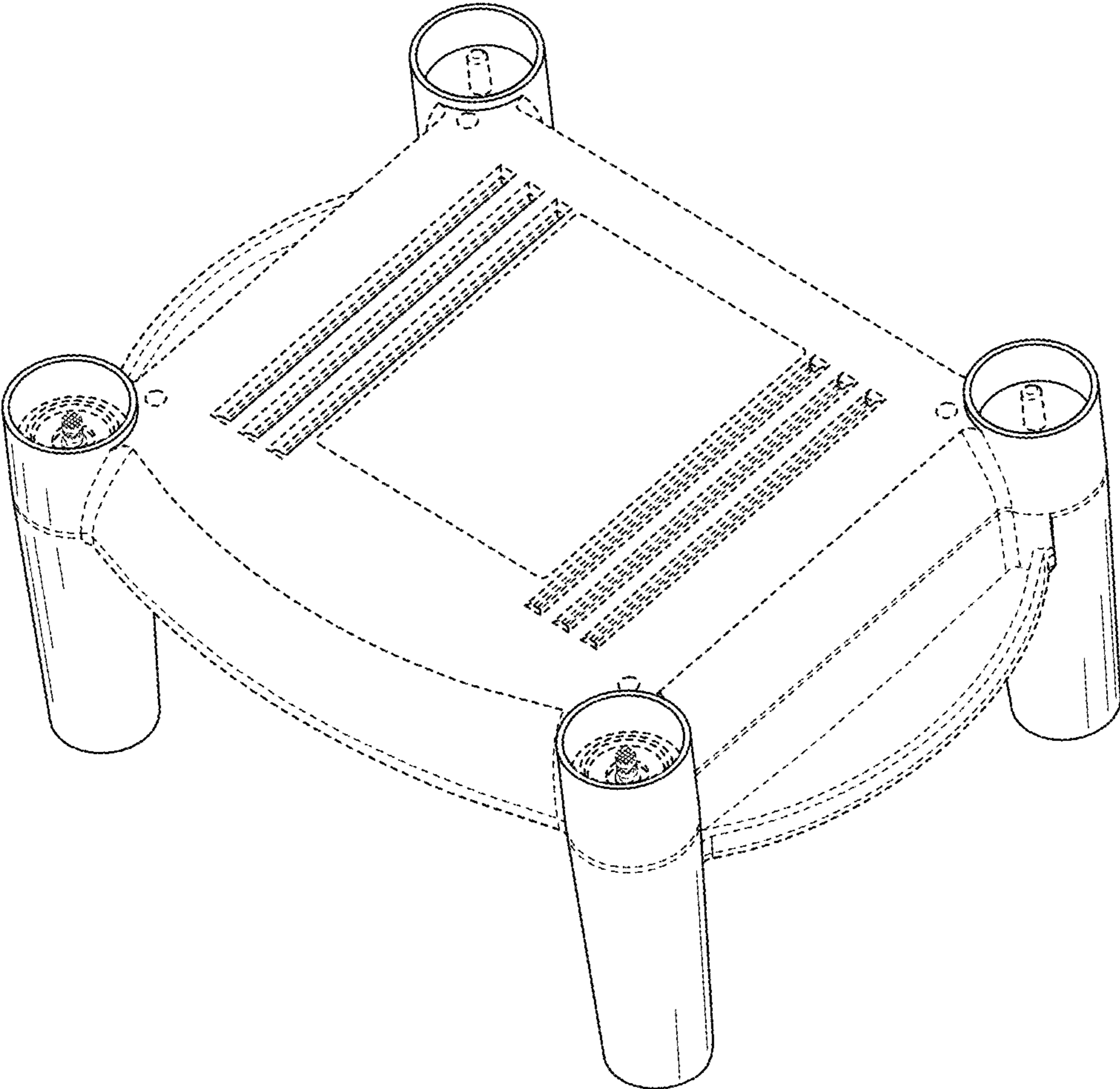


FIG. 2