



US00D751502S

(12) **United States Design Patent**
Riner

(10) **Patent No.:** **US D751,502 S**

(45) **Date of Patent:** **** Mar. 15, 2016**

(54) **MOUNTED USB CHARGER**

7/0054; H02J 7/0055; H02J 7/0057; H02J
2007/0062

(71) Applicant: **Group Dekko, Inc.**, Garrett, IN (US)

See application file for complete search history.

(72) Inventor: **Raymond H. Riner**, Fort Wayne, IN
(US)

(56) **References Cited**

(73) Assignee: **Group Dekko, Inc.**, Garrett, IN (US)

U.S. PATENT DOCUMENTS

(**) Term: **14 Years**

D672,310 S * 12/2012 Scharf D13/102
D713,343 S * 9/2014 Lee D13/133
D721,647 S * 1/2015 Dekeuster D13/104
D728,474 S * 5/2015 Orlando D13/110

(21) Appl. No.: **29/502,796**

* cited by examiner

(22) Filed: **Sep. 19, 2014**

Primary Examiner — Rosemary K Tarcza

Assistant Examiner — Sanjeev Paul

(51) **LOC (10) Cl.** **13-02**

(74) *Attorney, Agent, or Firm* — Taylor IP, P.C.

(52) **U.S. Cl.**
USPC **D13/108**

(57) **CLAIM**

The ornamental design for a mounted USB charger, as shown and described.

(58) **Field of Classification Search**

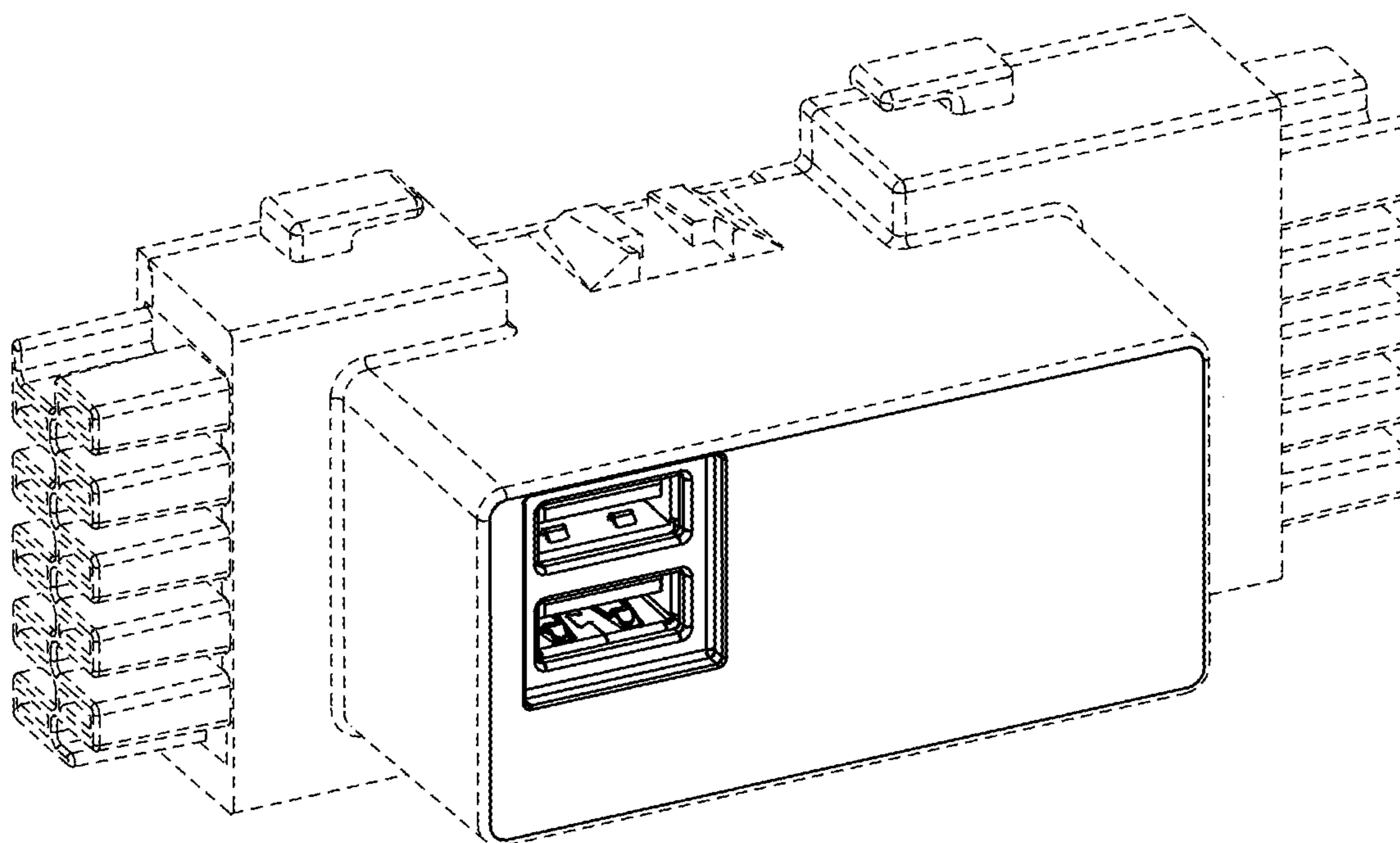
DESCRIPTION

USPC D13/102-110, 118-119, 184, 199, 133;
D14/356, 432, 251, 253, 434;
320/107-115, 135, 138, 140, 103-105
CPC Y02E 60/12; Y02E 60/122; Y02E 60/124;
Y02E 60/50; H01M 2/02; H01M 2/022;
H01M 2/0202; H01M 2/0207; H01M 2/0212;
H01M 2/1061; H01M 2/1022; H01M 2/1055;
H01M 2/1066; H01M 2/105; H01M 2/204;
H01M 2/20; H01M 2/202; H01M 2/206;
H01M 10/4257; H01M 10/0436; H01M 10/48;
H01M 10/44; H01M 10/46; H01M 10/465;
H01M 10/482; H01M 2200/30; H01M
2250/30; H01M 2250/40; H02J 7/00; H02J
7/0003; H02J 7/0011; H02J 7/0013; H02J

FIG. 1 is a perspective view of a mounted USB charger showing my new design;
FIG. 2 is a front view thereof;
FIG. 3 is a rear view thereof;
FIG. 4 is a side view thereof;
FIG. 5 is another side view thereof;
FIG. 6 is a top view thereof; and,
FIG. 7 is a bottom view thereof.

The broken line showing of a mounted USB charger is for the purpose of illustrating unclaimed portions of the article and forms no part of the claimed design.

1 Claim, 3 Drawing Sheets



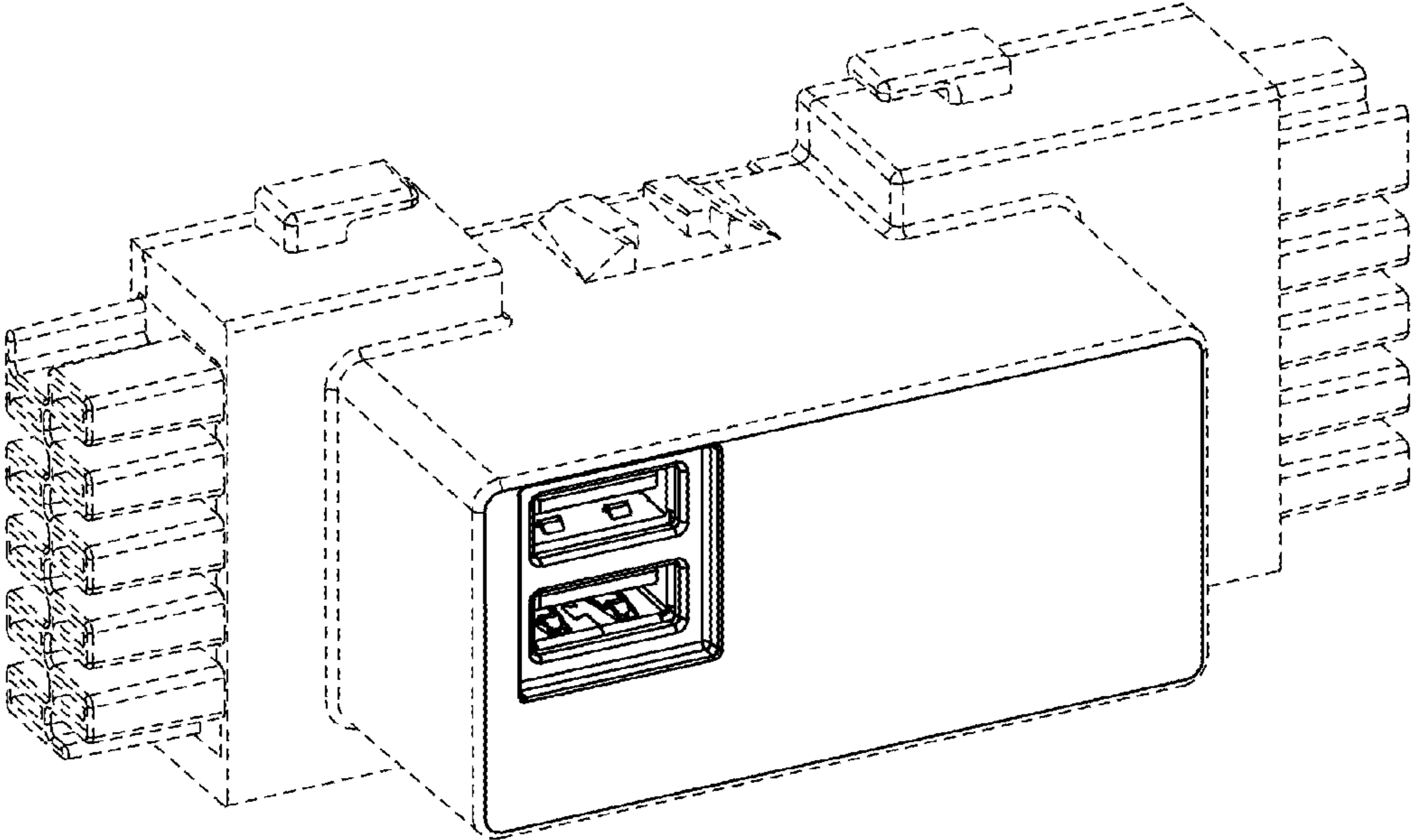


Fig. 1

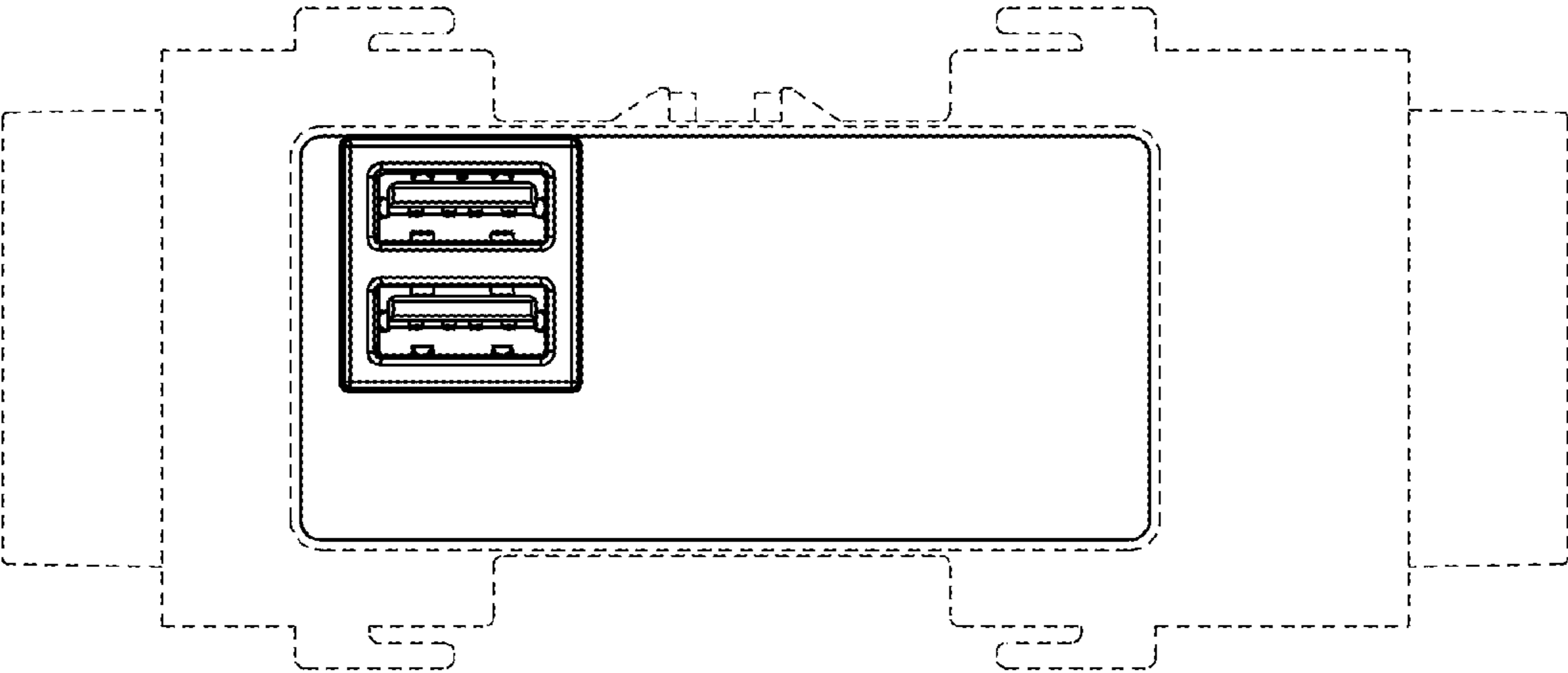


Fig. 2

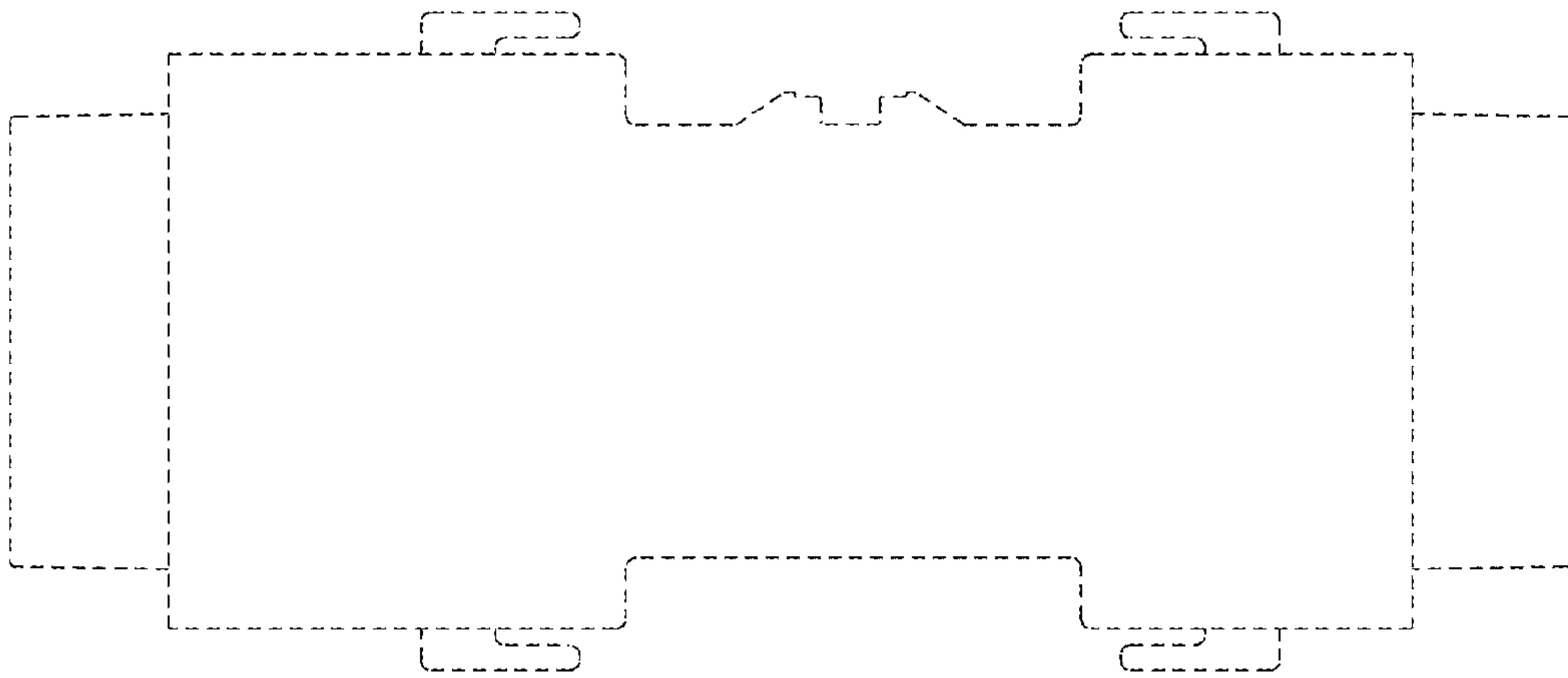


Fig. 3

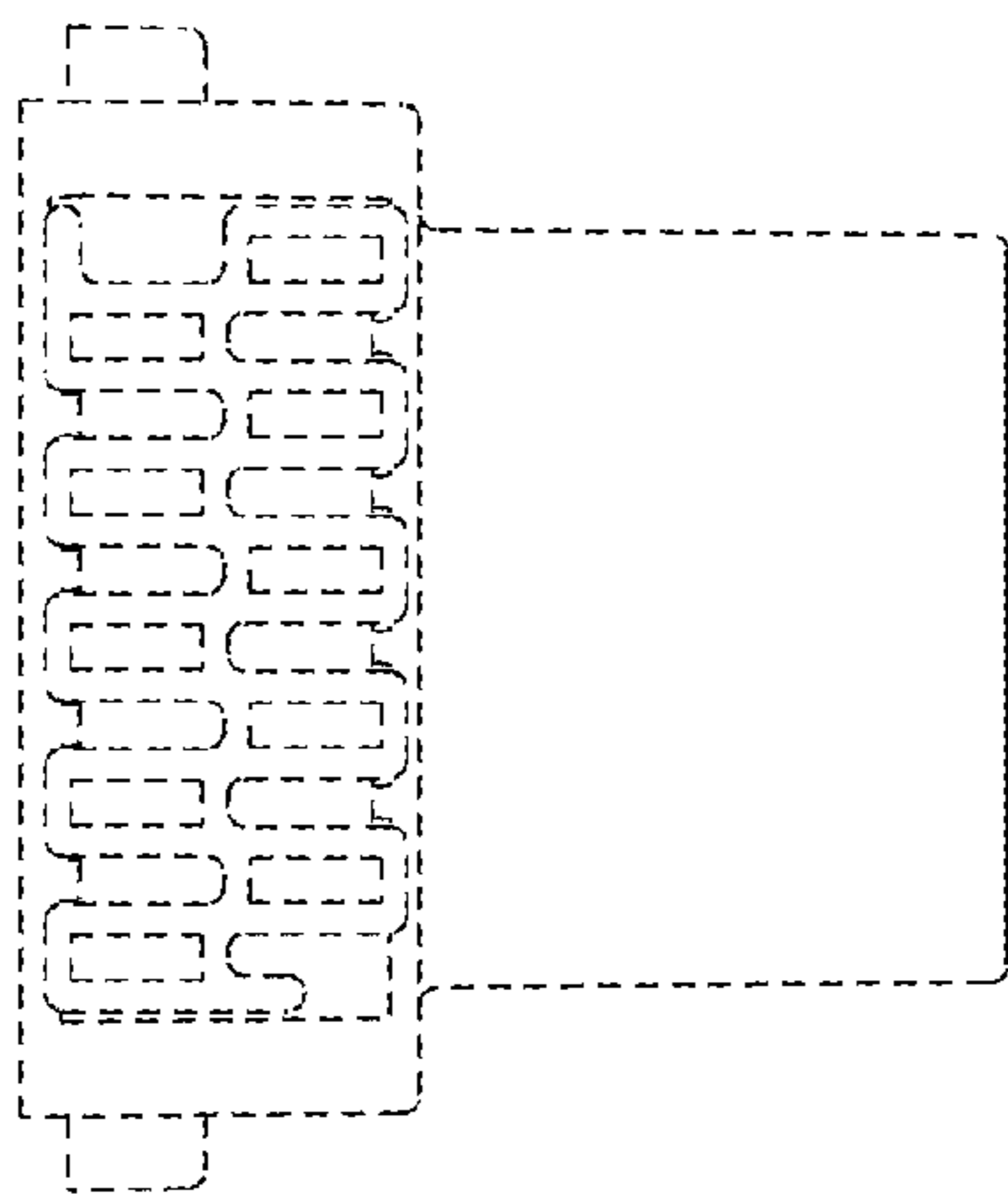


Fig. 4

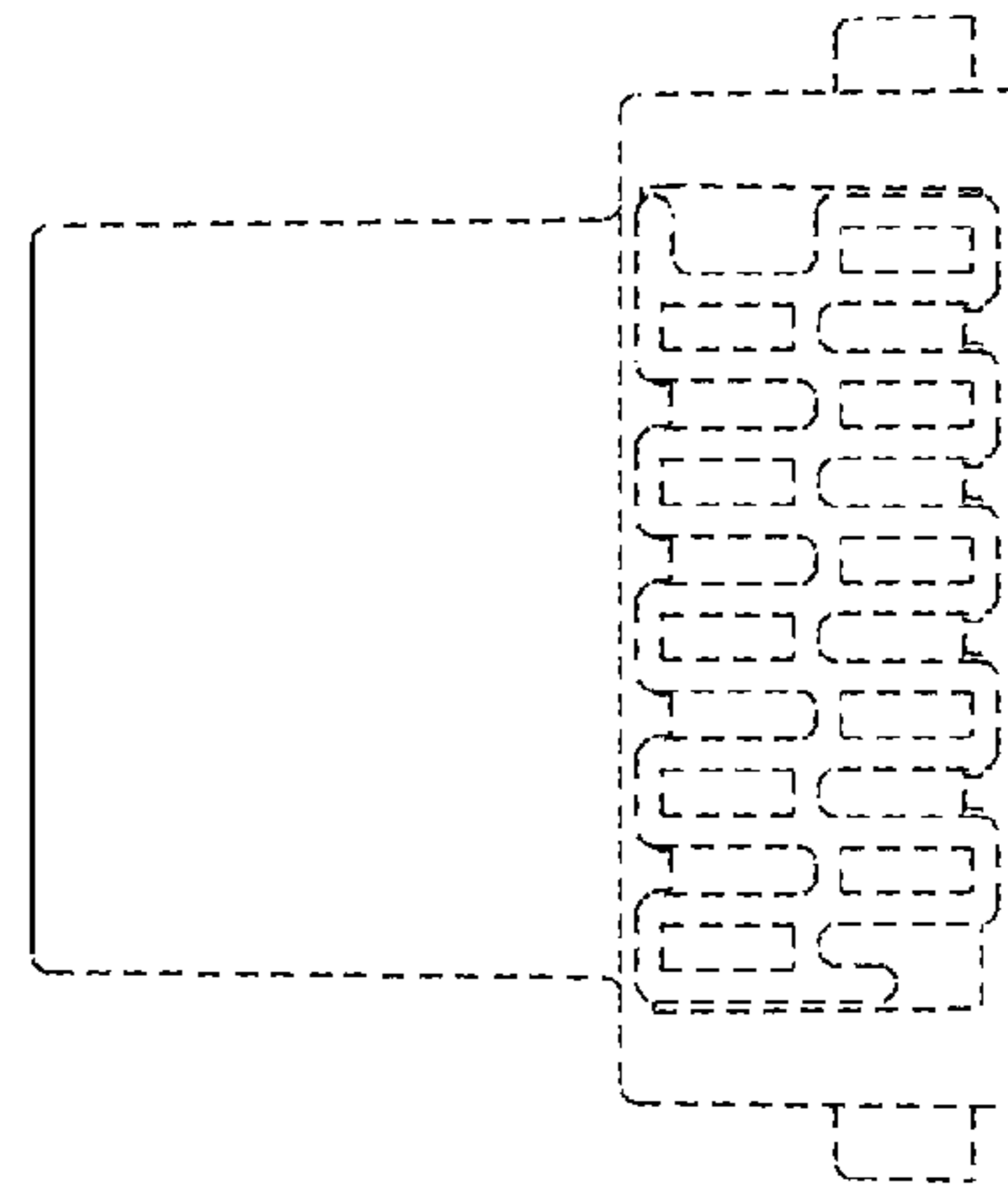


Fig. 5

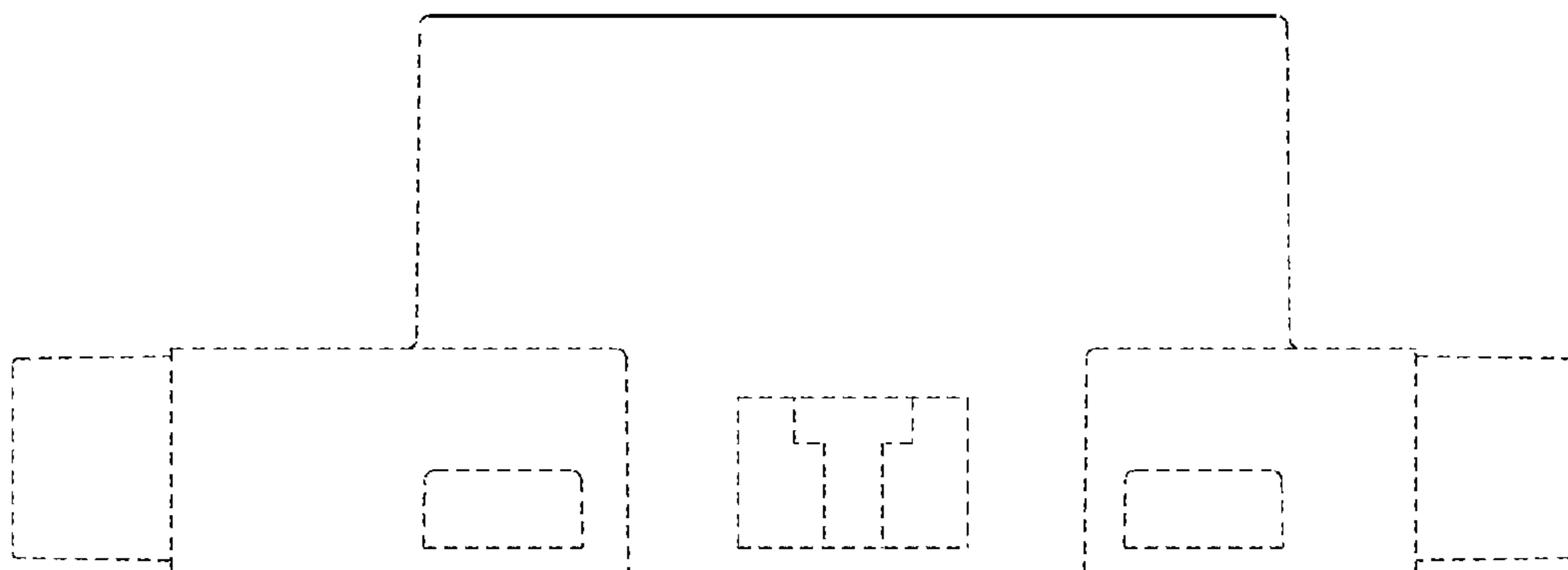


Fig. 6

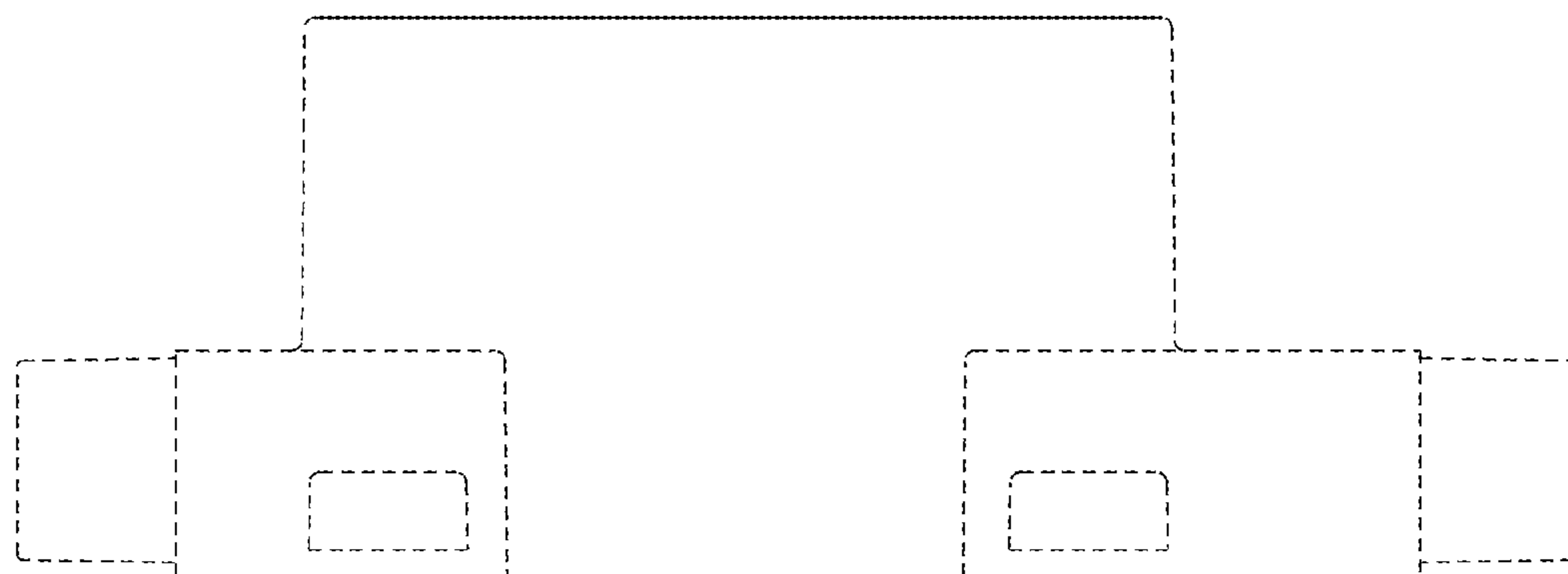


Fig. 7