

US00D751497S

(12) **United States Design Patent**
Kidney

(10) **Patent No.:** **US D751,497 S**
(45) **Date of Patent:** **** Mar. 15, 2016**

(54) **TIRE TREAD PERFORMANCE INDICATOR**

(71) Applicant: **Bridgestone Americas Tire Operations, LLC**, Nashville, TN (US)

(72) Inventor: **Jacob R. Kidney**, Wadsworth, OH (US)

(73) Assignee: **Bridgestone Americas Tire Operations, LLC**, Nashville, TN (US)

(**) Term: **14 Years**

(21) Appl. No.: **29/485,300**

(22) Filed: **Mar. 18, 2014**

(51) **LOC (10) Cl.** **12-15**

(52) **U.S. Cl.**
USPC **D12/604**

(58) **Field of Classification Search**
USPC D12/503, 604; D14/488, 489, 492, 494, D14/495; D18/27
CPC Y10T 152/10027; B60C 11/24; B60C 11/243; B60C 11/246
See application file for complete search history.

(56) **References Cited**

U.S. PATENT DOCUMENTS

D613,235 S	4/2010	Kossi et al.	
D667,441 S *	9/2012	Majeti et al.	D14/492
D674,405 S *	1/2013	Guastella et al.	D14/488
D689,091 S *	9/2013	Impas et al.	D14/489
8,695,655 B2 *	4/2014	Cuny et al.	152/154.2
D707,703 S *	6/2014	d'Amore et al.	D14/488
D711,921 S *	8/2014	Penico et al.	D14/492
D712,920 S *	9/2014	Sloo et al.	D14/487
D716,340 S *	10/2014	Bresin et al.	D14/488
2012/0103484 A1 *	5/2012	Ohashi	152/154.2

FOREIGN PATENT DOCUMENTS

EM	0005849170004	10/2006
EM	0016310290002	11/2009

OTHER PUBLICATIONS

“Tread depth indicator” <http://web.archive.org/web/20121118011028/http://www.viking-tyres.com/service/tyre-viki.html>, available online Nov. 18, 2012.*

“Water drop shape poem” <http://web.archive.org/web/20120523114451/http://www.enchantedlearning.com/poetry/shapemoems/waterdrop/>, available online 05/23/1.*

“Rain drop shape with line” <http://www.printabletreats.com/rain-drop-shape-lines/>, available online Oct. 18, 2014.*

“Raindrop” <http://frogsandcupcakes.blogspot.com/2013/01/i-like-rain-because.html>, available online Jan. 4, 2013.*

“Water acrostic poem” <http://web.archive.org/web/20120521151543/http://www.enchantedlearning.com/poetry/acrostic/water/index.shtml>, available online May 21, 2012.*

Office Action with English translation from Japanese Patent Application No. 2014-020522, dated Feb. 3, 2015 (5 pp.).

Kato, Maju, Office Action with Translation from JPO Application #2014020522, 3pp. (May 26, 2015).

* cited by examiner

Primary Examiner — Cynthia M Chin
(74) *Attorney, Agent, or Firm* — Shaun Fox

(57) **CLAIM**

The ornamental design for a tire tread performance indicator, as shown and described.

DESCRIPTION

FIG. 1 is a side perspective view of a tire performance indicator showing my new design;

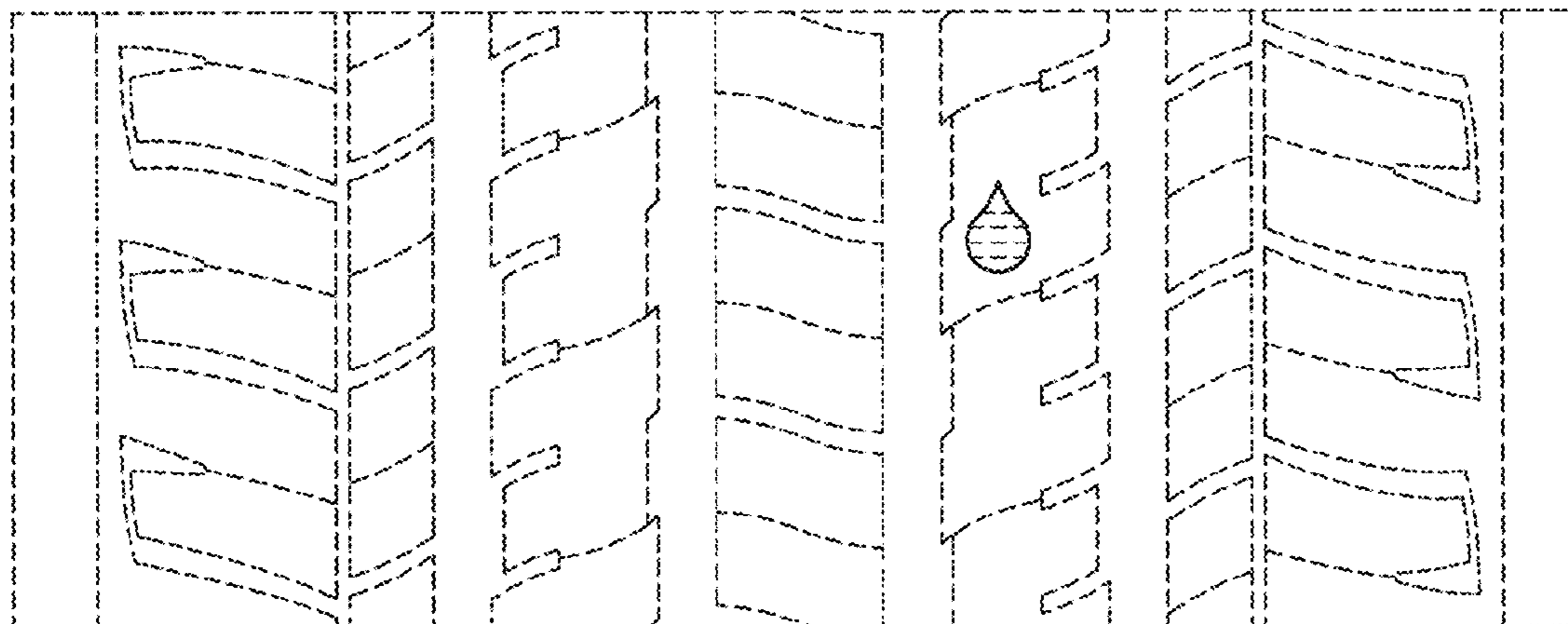
FIG. 2 is a front elevational view thereof; and,

FIG. 3 is an enlarged fragmentary front elevational view thereof.

The broken lines defining the tread pattern, sidewall, and inner bead depict environmental subject matter which forms no part of the claimed design.

The broken lines extending laterally inside the shape of the water drop are surface ornamentation and form a part of the claimed design.

1 Claim, 3 Drawing Sheets



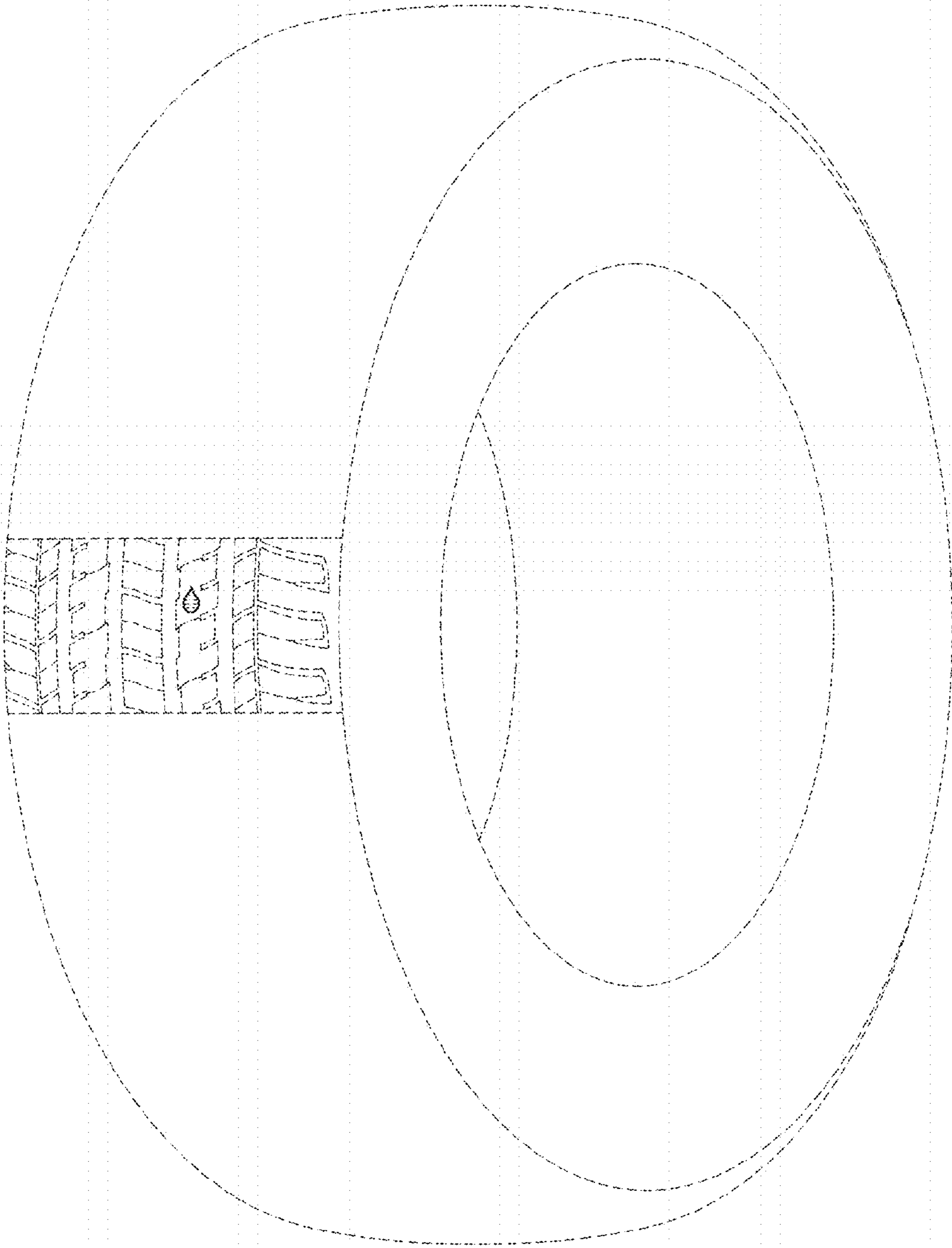


FIG-1

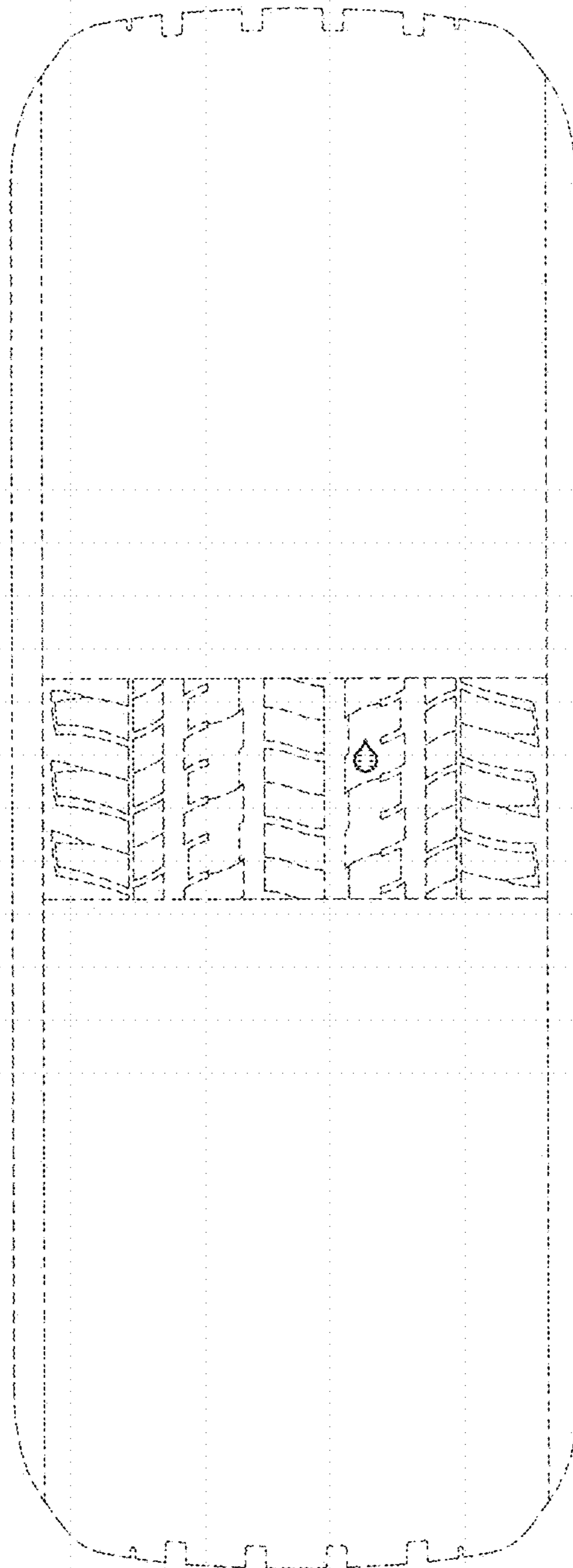


FIG-2

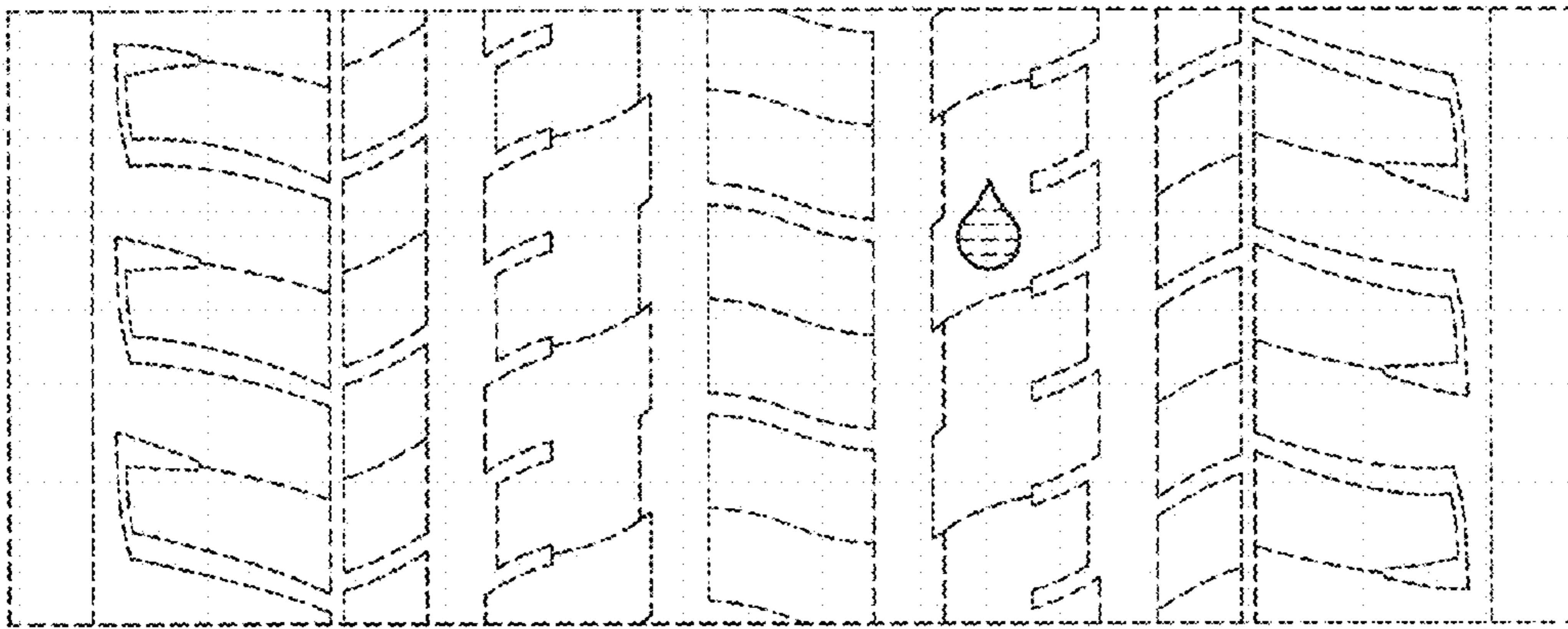


FIG-3