



US00D751492S

(12) **United States Design Patent**
Kobayashi

(10) **Patent No.:** **US D751,492 S**
(45) **Date of Patent:** **** Mar. 15, 2016**

(54) **LUGGAGE RACK FOR MOTORCYCLES**

(71) Applicant: **Kawasaki Jukogyo Kabushiki Kaisha,**
Hyogo (JP)

(72) Inventor: **Mitsuru Kobayashi,** Kobe (JP)

(73) Assignee: **Kawasaki Jukogyo Kabushiki Kaisha,**
Hyogo (JP)

(**) Term: **14 Years**

(21) Appl. No.: **29/474,493**

(22) Filed: **Oct. 7, 2014**

(51) **LOC (10) Cl.** **12-11**

(52) **U.S. Cl.**
USPC **D12/407**

(58) **Field of Classification Search**
USPC D12/115, 120, 407, 412, 413, 414,
D12/414.1; D3/304-306; D6/552; 211/5,
211/17-22; 224/309-310, 315-316, 319,
224/323-329, 400, 331, 321, 229.1, 316.4,
224/924, 299.1; 248/176.1, 309.1; 280/293,
280/760-762, 848, 727, 769; 293/3, 100
CPC B62J 7/00; B62J 7/02; B62J 7/04;
B62J 7/08

See application file for complete search history.

(56) **References Cited**

U.S. PATENT DOCUMENTS

D208,895 S * 10/1967 Lahti D12/407
D244,928 S * 7/1977 Oakes D12/407

D255,561 S * 6/1980 Pold et al. D12/407
D276,330 S * 11/1984 Stahel D12/407
D364,140 S * 11/1995 Gustavsen D12/407
D374,422 S * 10/1996 Gogan et al. D12/407
D392,247 S * 3/1998 Gogan et al. D12/407
D395,420 S * 6/1998 Gogan et al. D12/407
D427,963 S * 7/2000 Gogan et al. D12/407
D428,848 S * 8/2000 Wurst D12/407
D575,722 S * 8/2008 Beauchamp et al. D12/412
D719,904 S * 12/2014 Rickard D12/412
2003/0010556 A1 * 1/2003 Galbraith et al. 180/219

* cited by examiner

Primary Examiner — Philip S Hyder

Assistant Examiner — Darlington Ly

(57) **CLAIM**

The ornamental design for a luggage rack for motorcycles, as shown and described.

DESCRIPTION

FIG. 1 is a top plan view of a luggage rack for motorcycles showing my new design;

FIG. 2 is a bottom plan view thereof;

FIG. 3 is front elevation view thereof;

FIG. 4 is a rear elevation view thereof;

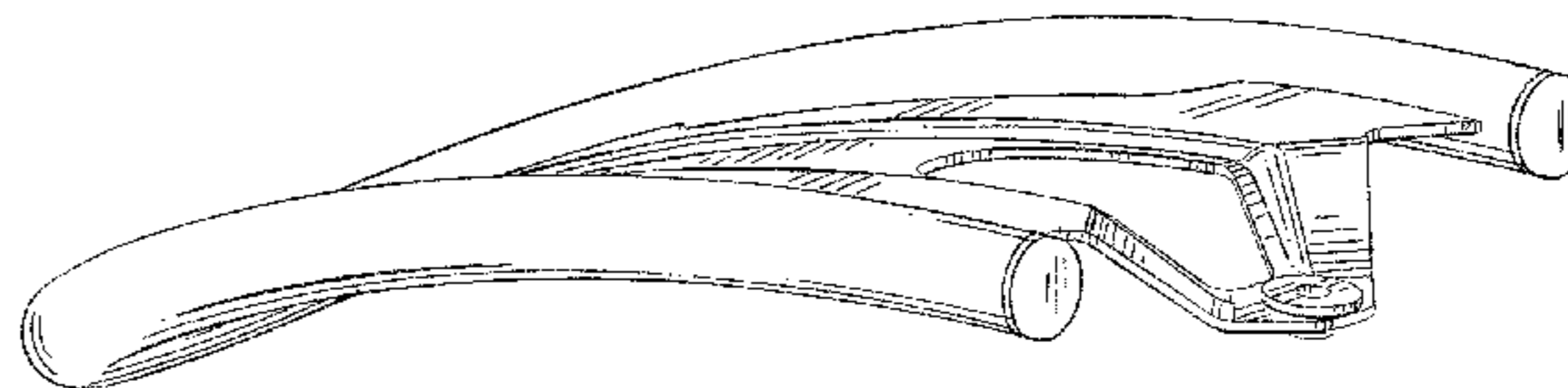
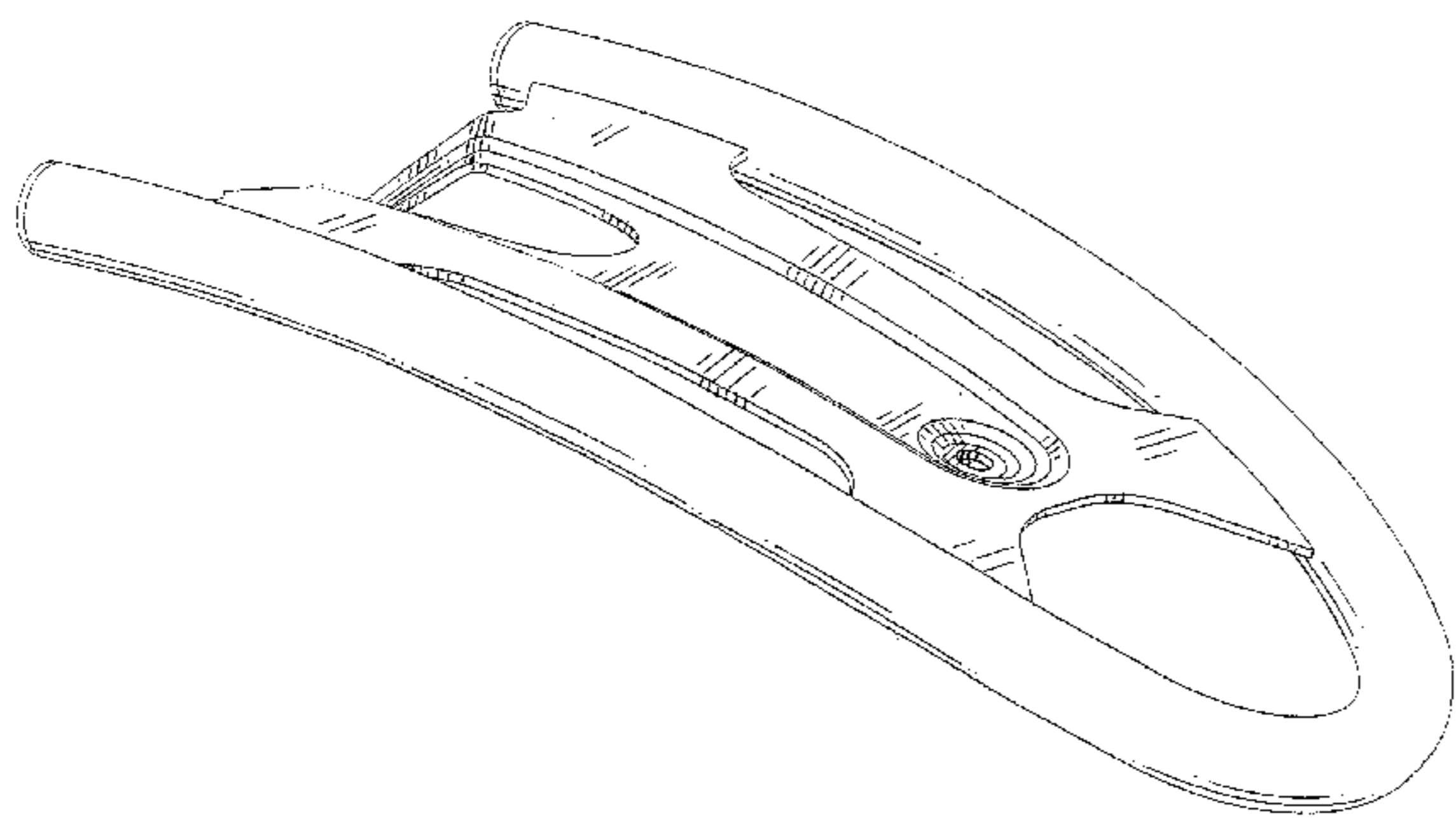
FIG. 5 is a left-side elevation view thereof;

FIG. 6 is a right-side elevation view thereof;

FIG. 7 is a top, rear and left-side perspective view thereof; and,

FIG. 8 is a top, front, and right-side perspective view thereof.

1 Claim, 8 Drawing Sheets



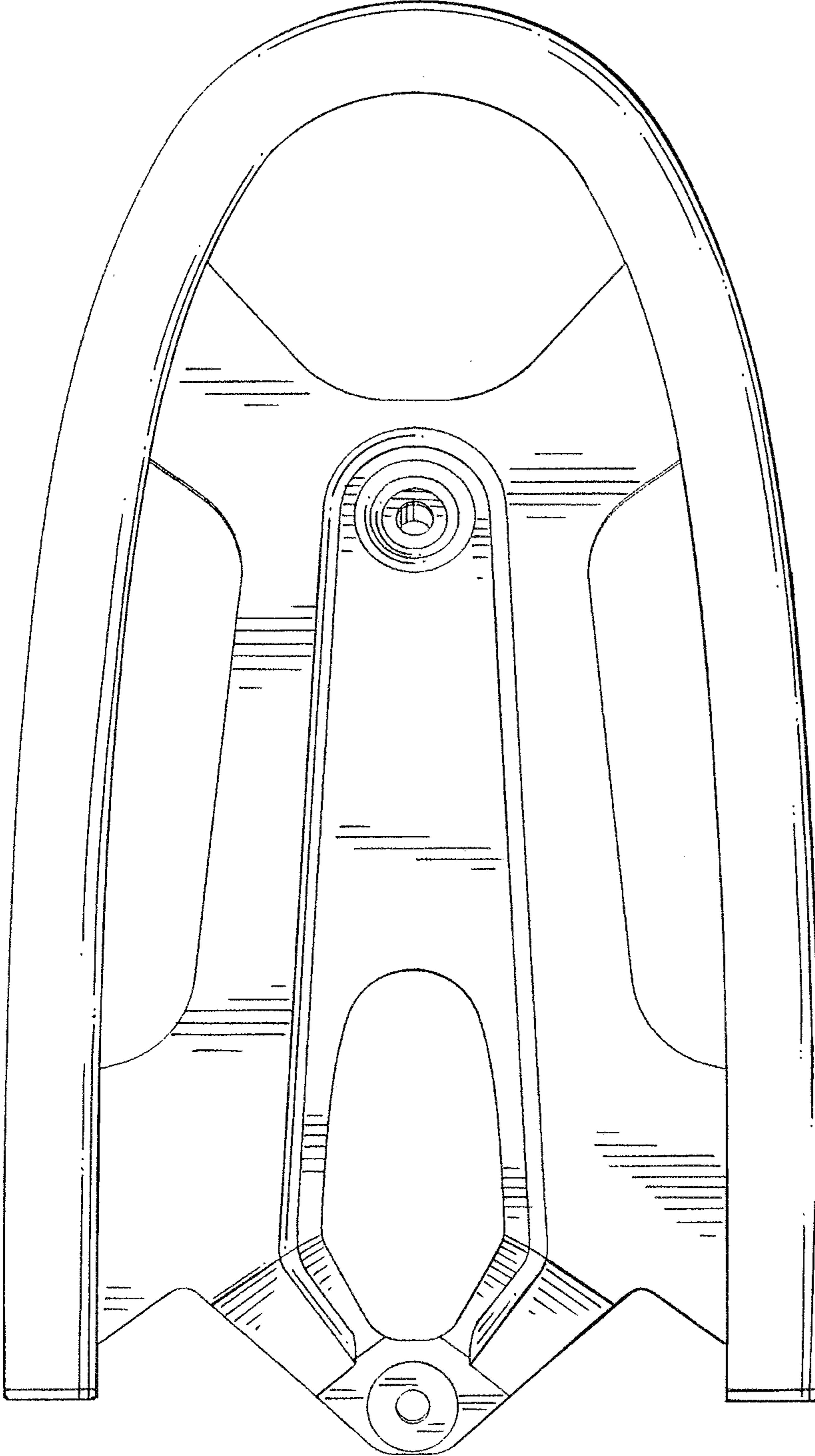


FIG. 1

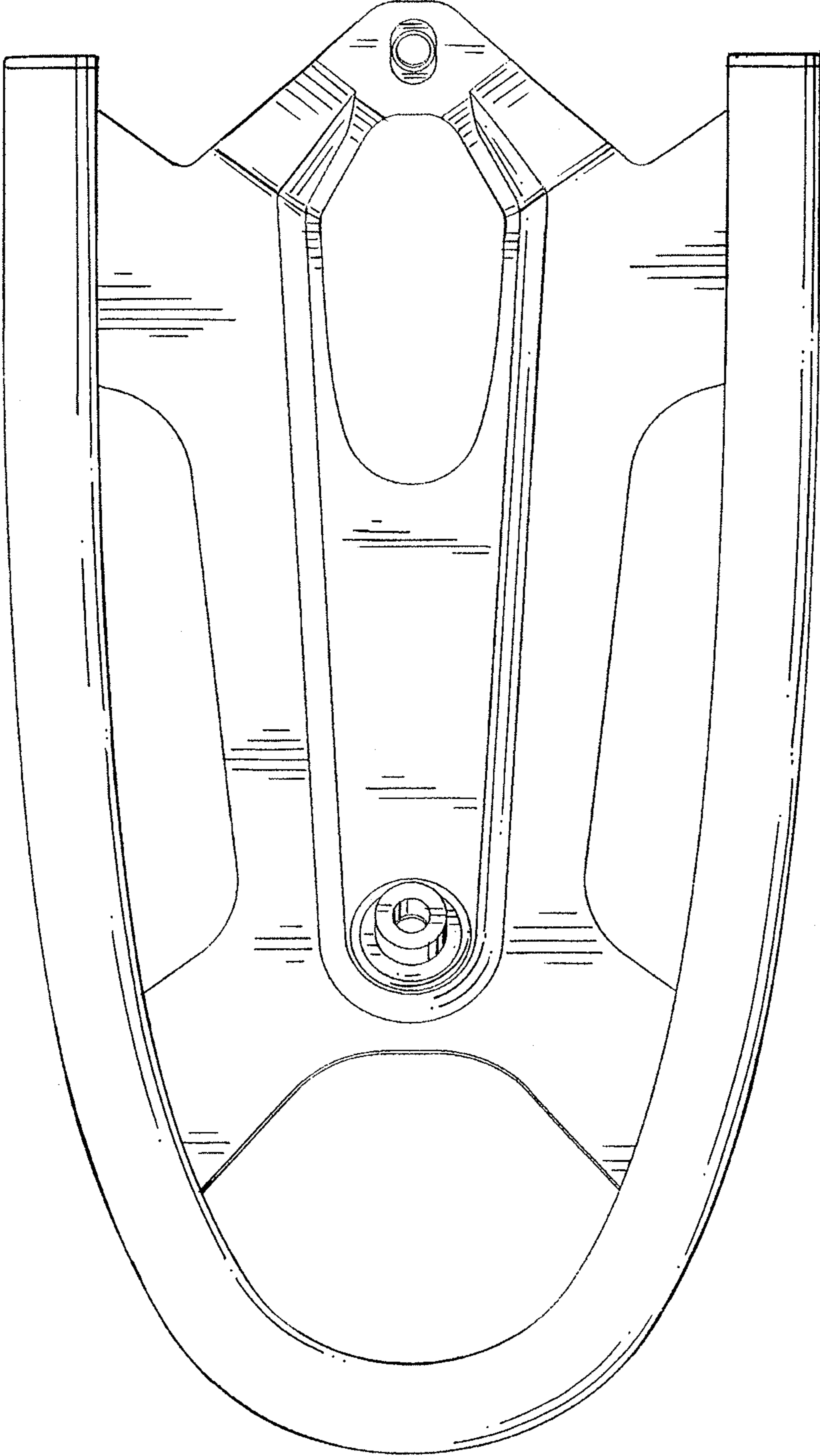


FIG. 2

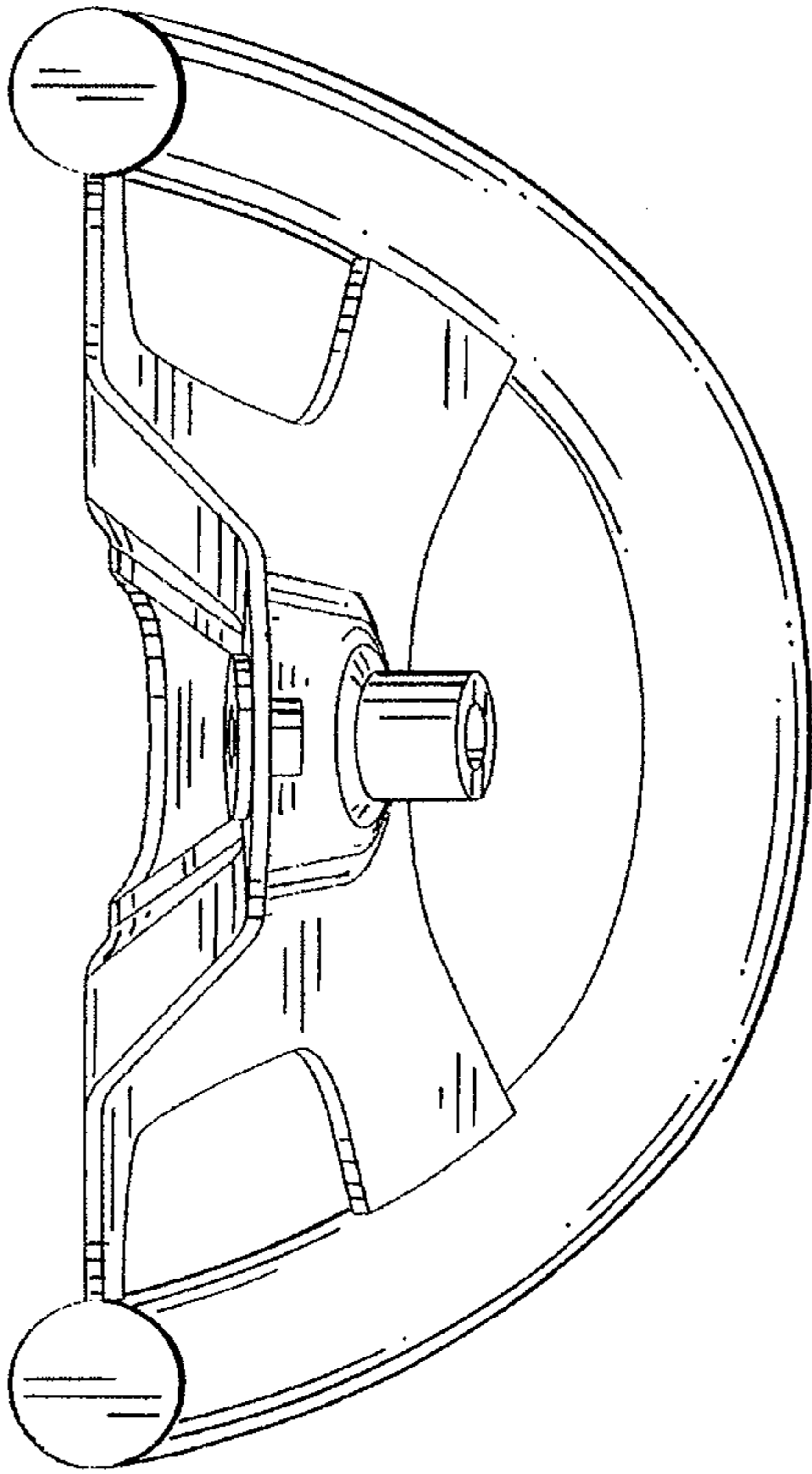


FIG. 3

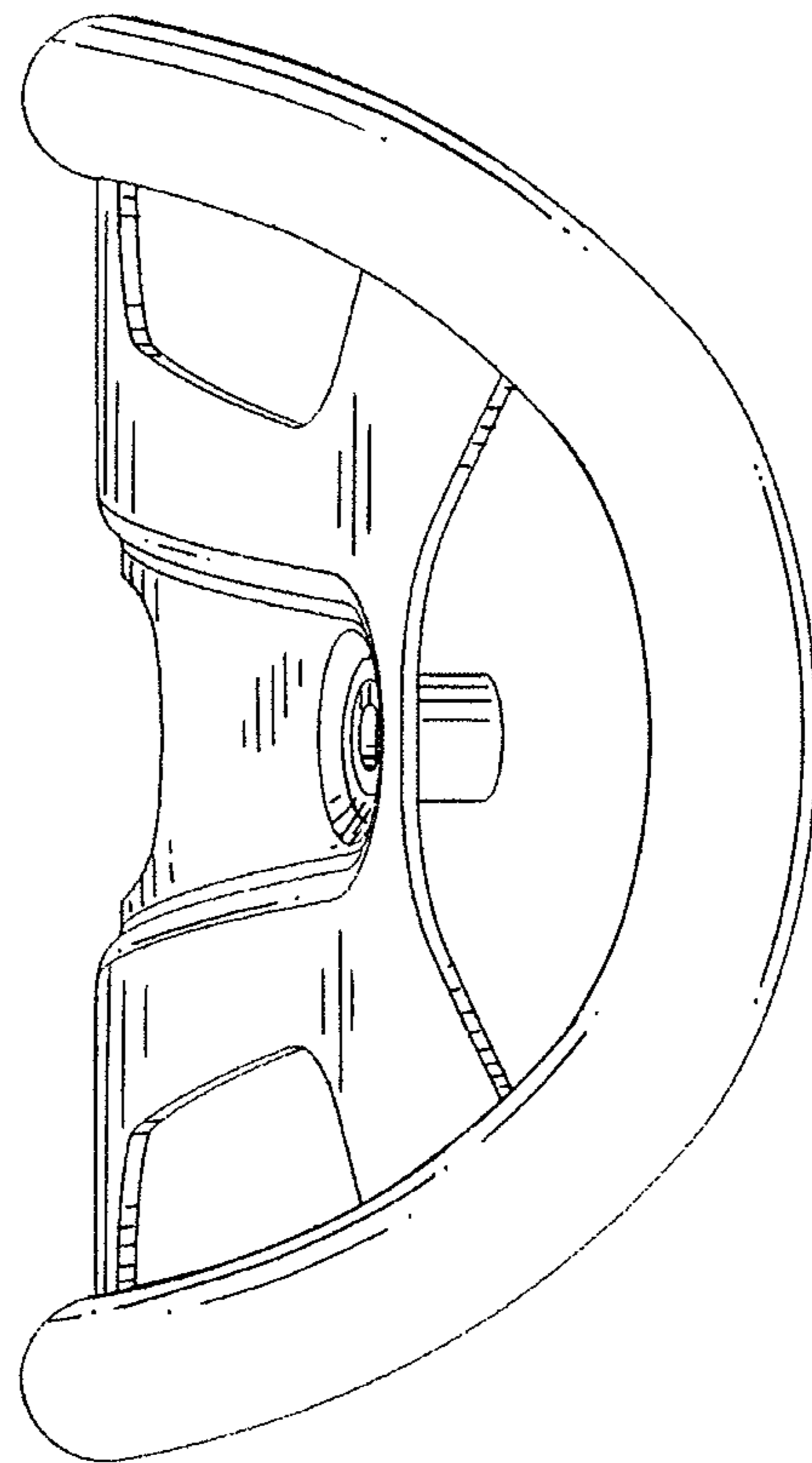


FIG. 4

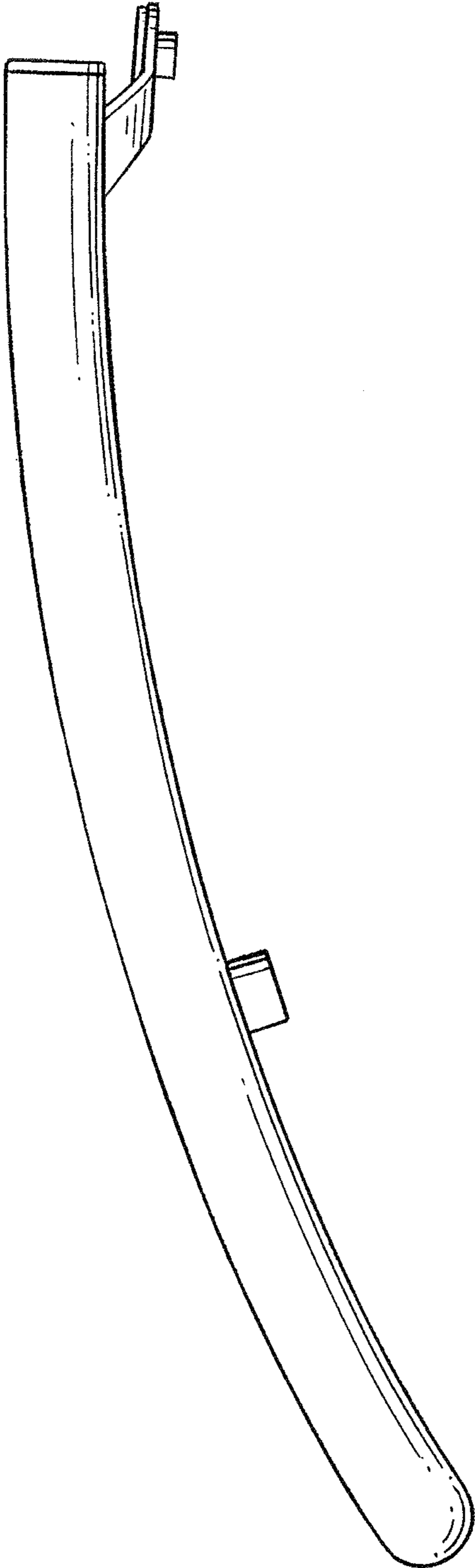


FIG. 5

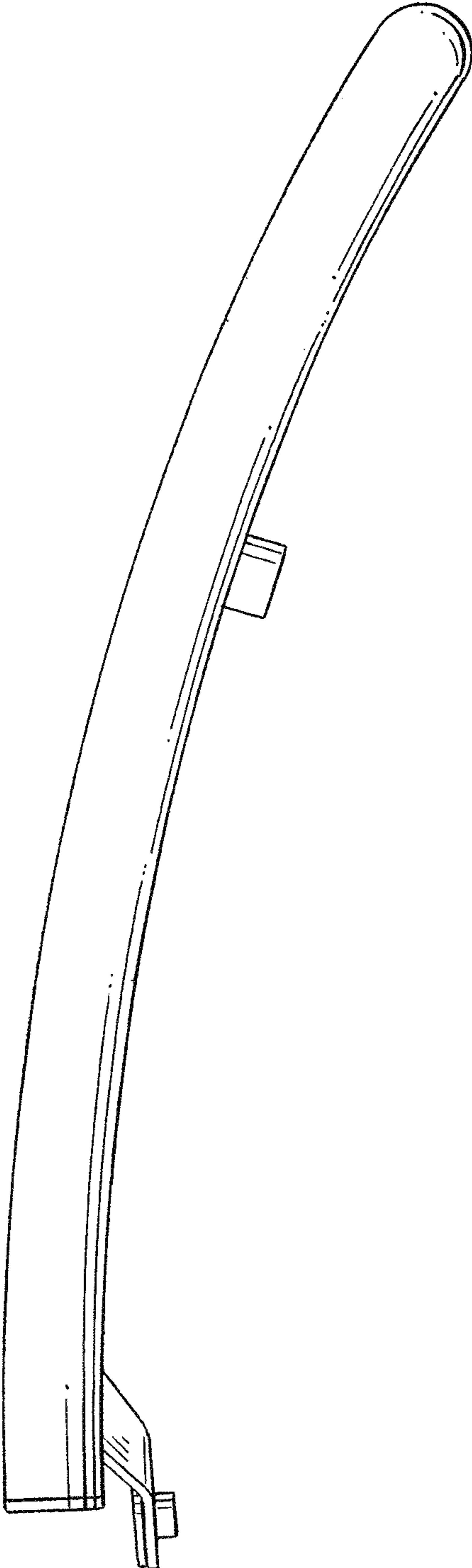


FIG. 6

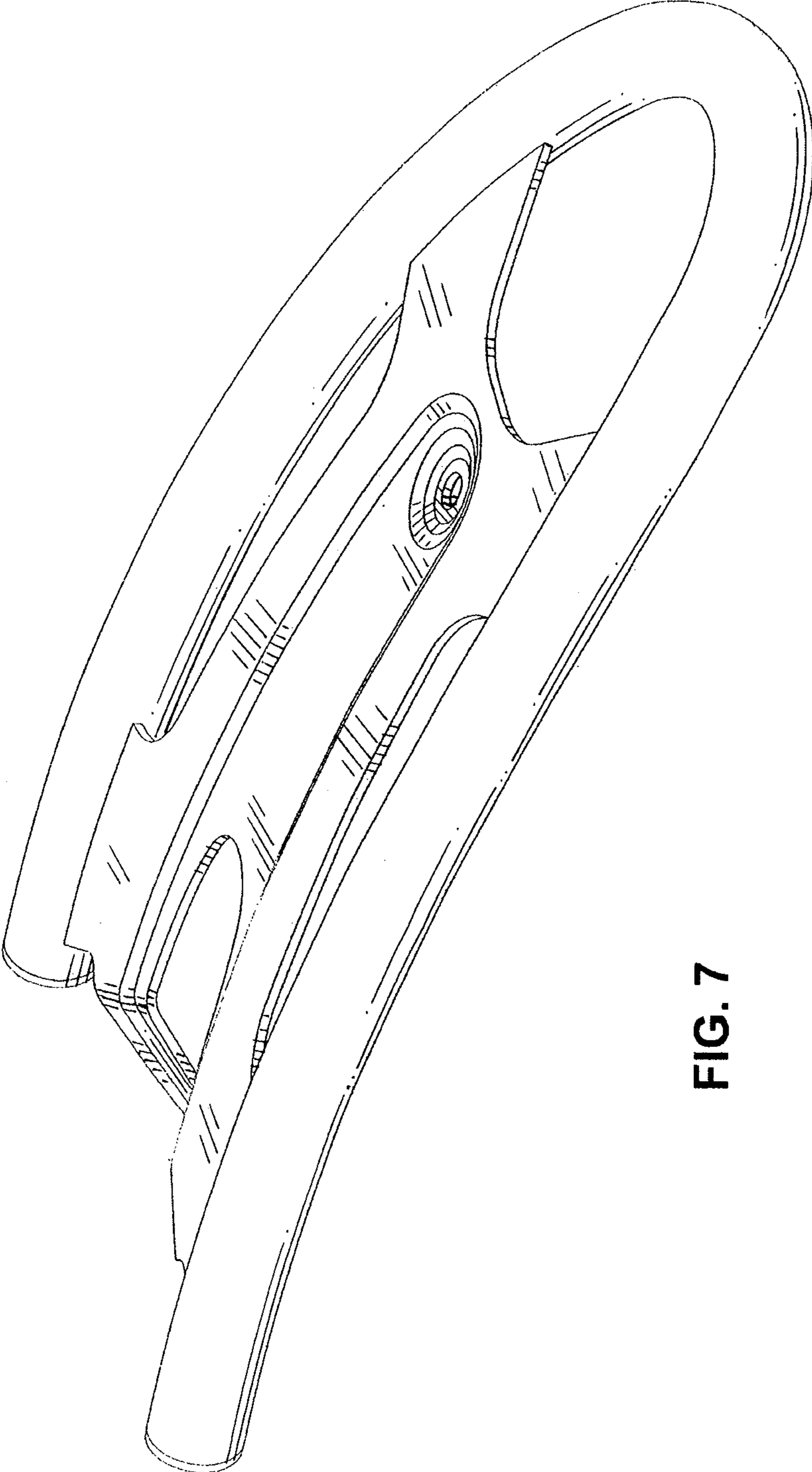


FIG. 7

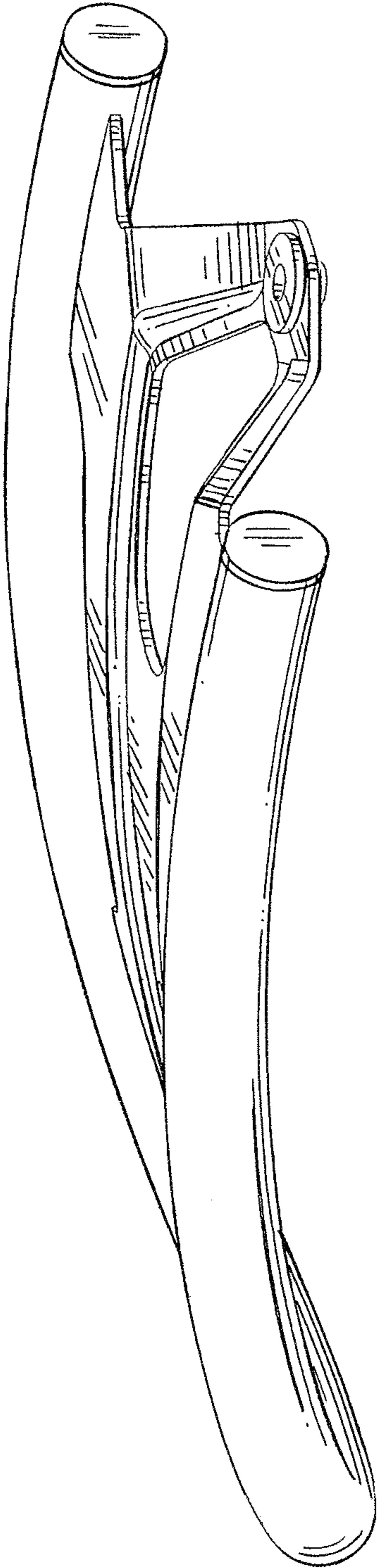


FIG. 8