



US00D751491S

(12) **United States Design Patent**
Chen

(10) **Patent No.:** **US D751,491 S**
(45) **Date of Patent:** **** Mar. 15, 2016**

(54) **AIRCRAFT**

(71) Applicant: **SZ DJI TECHNOLOGY CO., LTD.**,
Shenzhen (CN)

(72) Inventor: **Shao-Jie Chen**, Shenzhen (CN)

(73) Assignee: **SZ DJI TECHNOLOGY CO., LTD.**,
Shenzhen (CN)

(**) Term: **14 Years**

(21) Appl. No.: **29/511,610**

(22) Filed: **Dec. 12, 2014**

(30) **Foreign Application Priority Data**

Jun. 12, 2014 (CN) 2014 3 0178384

(51) **LOC (10) Cl.** **12-07**

(52) **U.S. Cl.**
USPC **D12/319**; D12/16.1; D12/326

(58) **Field of Classification Search**
USPC D12/16.1, 319, 326, 327, 328, 329, 330,
D12/331, 344, 345, 99, 125, 404, 414, 190,
D12/214, 223; D21/437, 442, 447, 446,
D21/448, 449, 450, 453
CPC F41H 13/00; A01K 67/033; B64C 2201/108;
B64C 27/54; A63H 27/12; A63H 17/00;
G05D 1/0016
See application file for complete search history.

8,214,088 B2 * 7/2012 Lefebure A63H 27/12
244/189

D691,514 S * 10/2013 Wang D12/16.1

8,662,438 B2 * 3/2014 Savoye A63H 27/12
244/17.11

D708,272 S * 7/2014 Schmelter D12/16.1

D710,452 S * 8/2014 Barajas D12/16.1

D710,454 S * 8/2014 Barajas D12/16.1

8,794,564 B2 * 8/2014 Hutson B64D 45/00
244/17.17

8,967,029 B1 * 3/2015 Calvert F41H 13/00
239/171

8,973,861 B2 * 3/2015 Zhou A63H 27/12
244/17.23

8,991,740 B2 * 3/2015 Olm B60F 5/02
244/2

9,004,973 B2 * 4/2015 Condon A63F 13/00
446/37

9,061,558 B2 * 6/2015 Kalantari A63H 27/12

2007/0105474 A1 * 5/2007 Gotou A63H 27/02
446/37

2008/0048065 A1 * 2/2008 Kuntz A63H 17/00
244/17.23

2009/0283629 A1 * 11/2009 Kroetsch A63H 27/12
244/17.23

* cited by examiner

Primary Examiner — Robert M Spear
Assistant Examiner — Marissa J Cash
(74) *Attorney, Agent, or Firm* — Novak Druce Connolly
Bove + Quigg LLP

(57) **CLAIM**
The ornamental design for an aircraft, as shown and described.

(56) **References Cited**

U.S. PATENT DOCUMENTS

D189,462 S * 12/1960 Vogt D12/329

3,053,480 A * 9/1962 Vanderlip B64C 27/54
244/17.13

3,614,029 A * 10/1971 Eickmann B64C 11/00
244/17.23

4,913,377 A * 4/1990 Eickmann B64C 29/00
244/17.11

5,082,079 A * 1/1992 Lissaman B64C 27/20
180/118

D465,196 S * 11/2002 Dammar D12/328

D659,771 S * 5/2012 Seydoux D21/441

8,167,234 B1 * 5/2012 Moore B64C 37/00
244/17.23

DESCRIPTION

FIG. 1 is a perspective view of an aircraft showing my new design.

FIG. 2 is a front elevational view thereof.

FIG. 3 is a rear elevational view thereof.

FIG. 4 is a left-side, elevational view thereof.

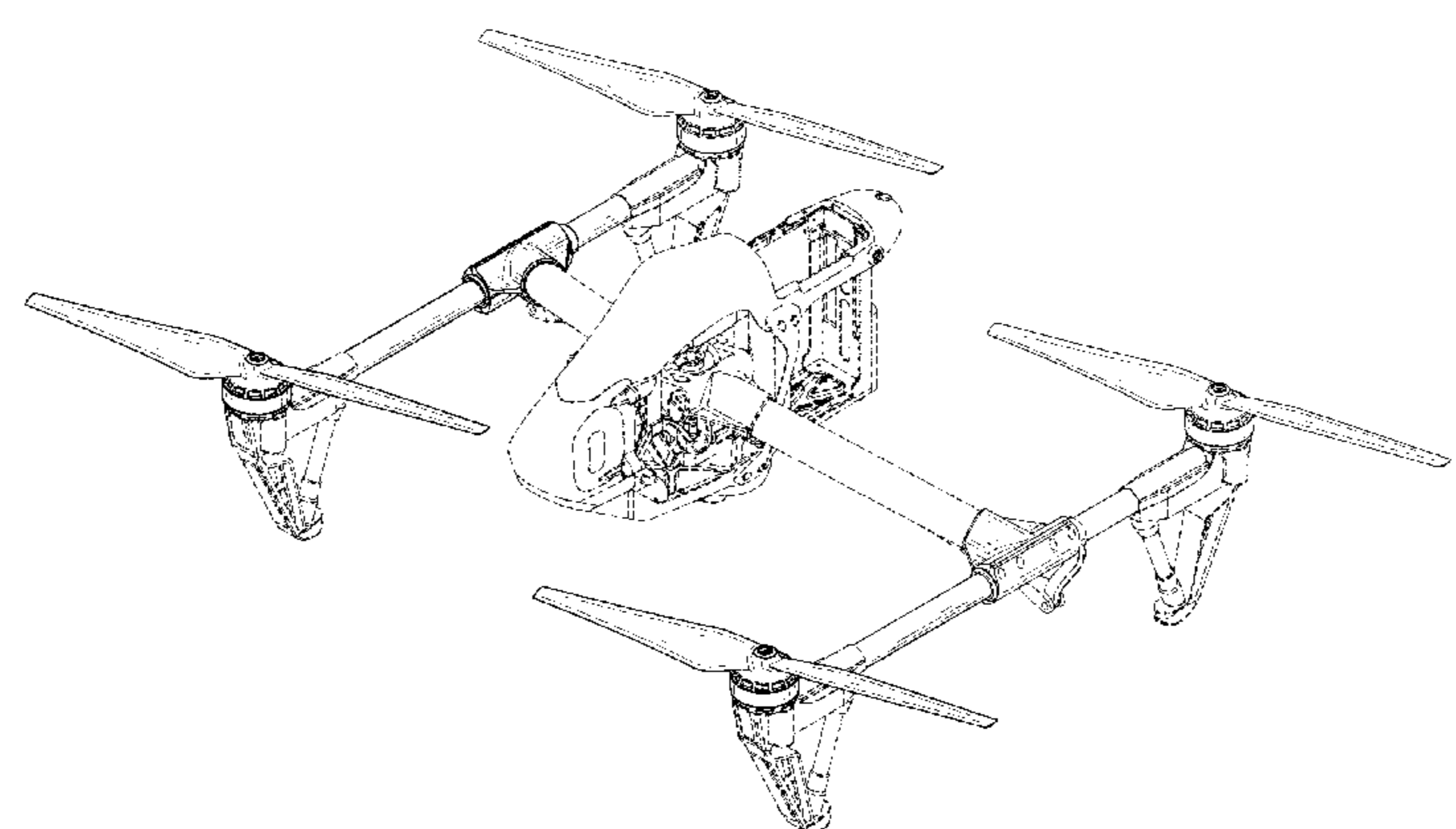
FIG. 5 is a right-side, elevational view thereof.

FIG. 6 is a top plan view thereof; and,

FIG. 7 is a bottom plan view thereof.

The broken lines in the drawings are employed to show unclaimed portions of the aircraft, and form no part of the claimed design.

1 Claim, 7 Drawing Sheets



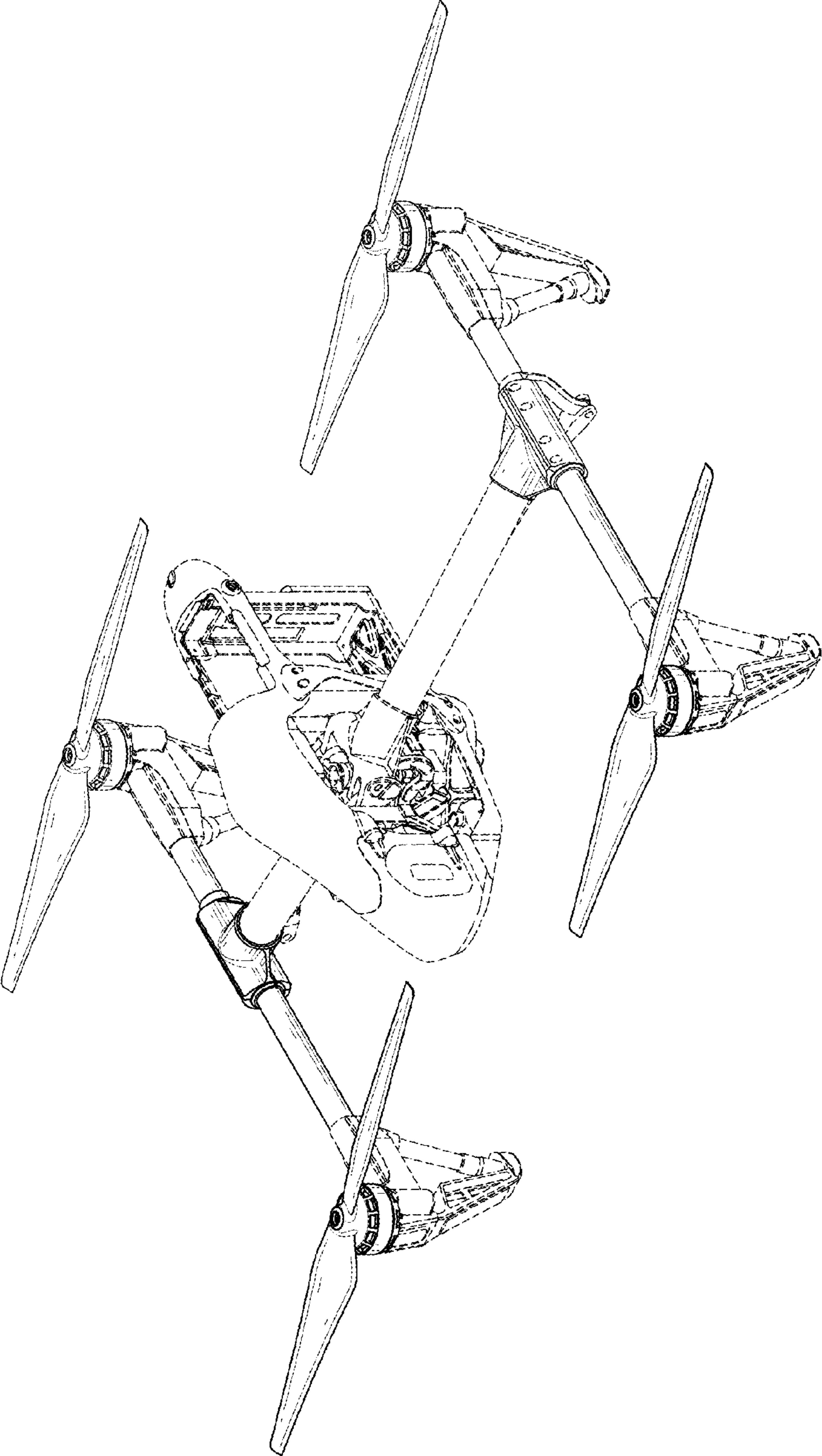


FIG. 1

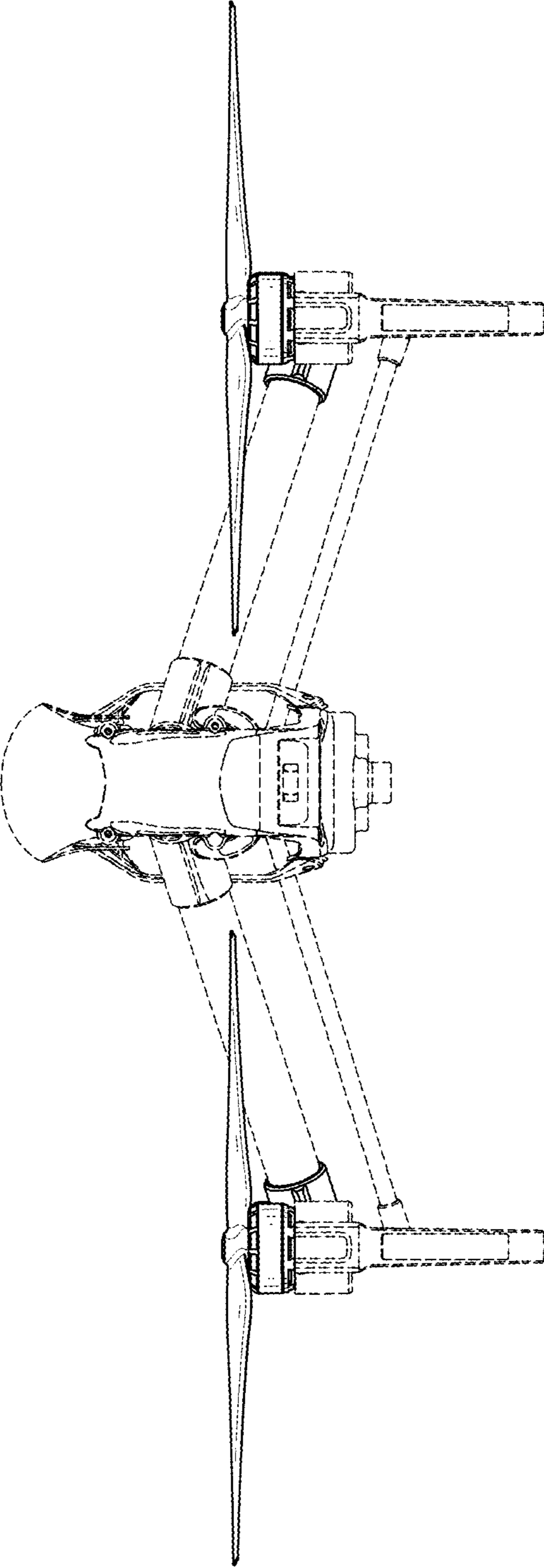


FIG. 2

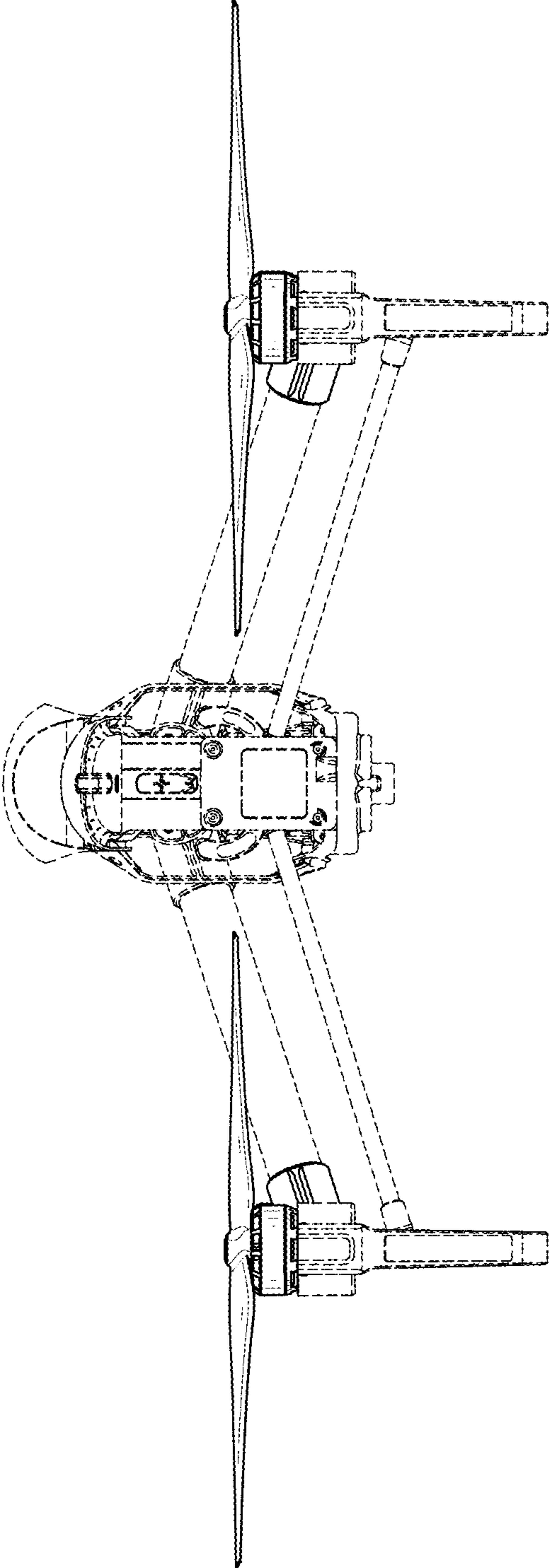


FIG. 3

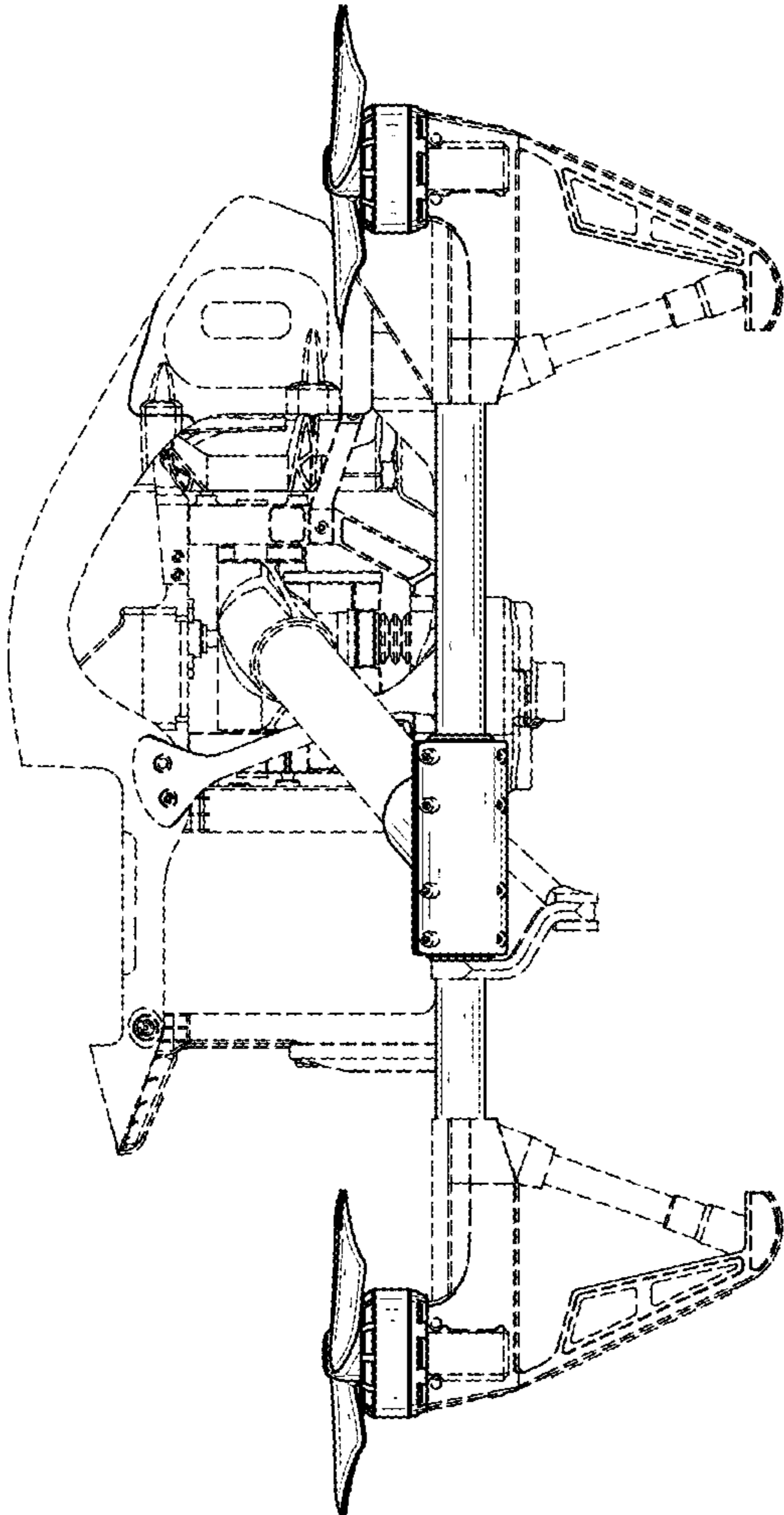


FIG. 4

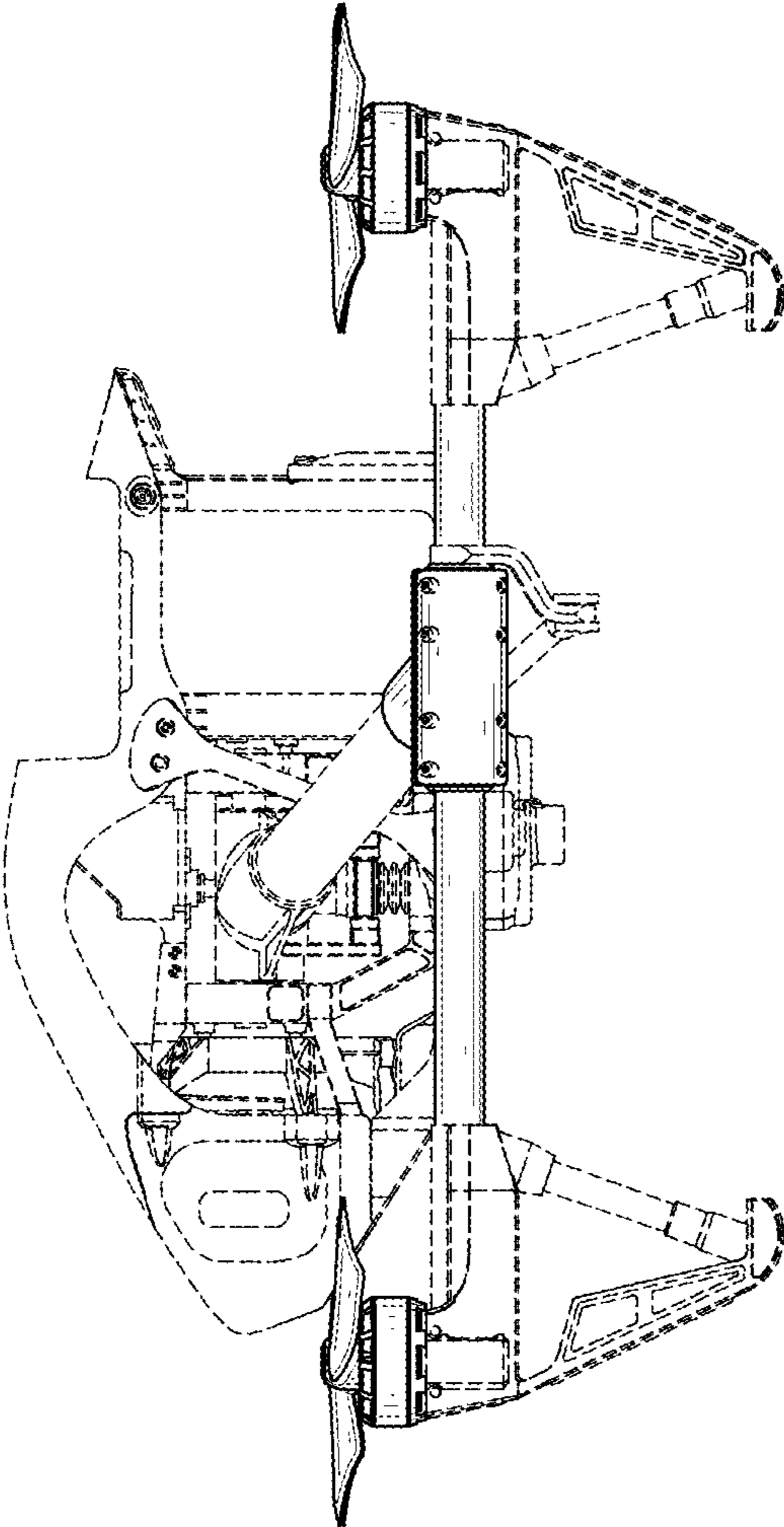


FIG. 5

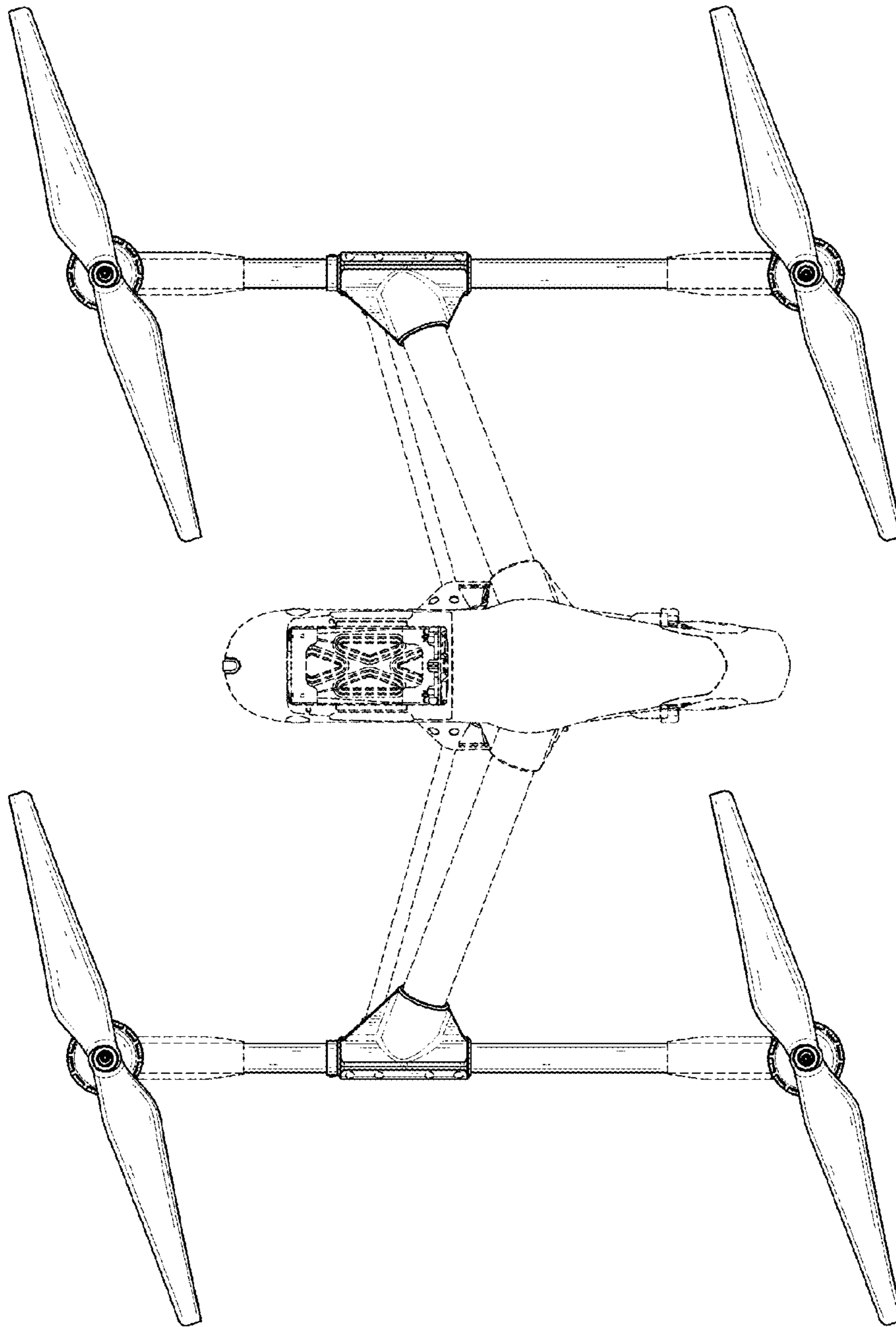


FIG. 6

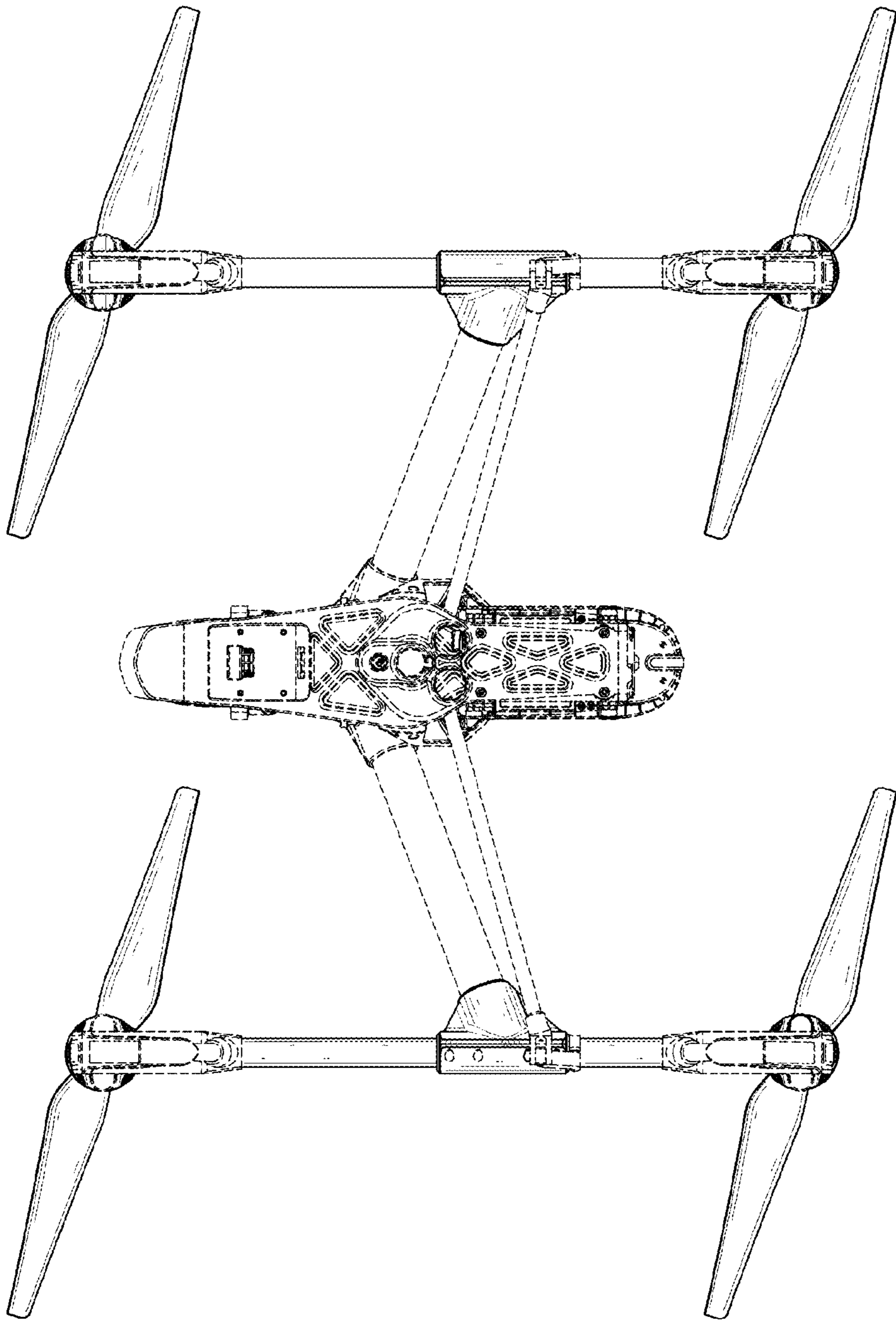


FIG. 7