



US00D751487S

(12) **United States Design Patent**
Harriton et al.

(10) **Patent No.:** **US D751,487 S**
(45) **Date of Patent:** **** Mar. 15, 2016**

(54) **WHEEL**

(71) Applicant: **StreetCar ORV LLC**, Commerce Township, MI (US)

(72) Inventors: **David Harriton**, Missoula, MT (US);
Mark Stouffer, Oakland Township, MI (US)

(73) Assignee: **STREETCAR ORV LLC**, Commerce Township, MI (US)

(**) Term: **14 Years**

(21) Appl. No.: **29/501,166**

(22) Filed: **Sep. 2, 2014**

(51) **LOC (10) Cl.** **12-16**

(52) **U.S. Cl.**
USPC **D12/211**

(58) **Field of Classification Search**
USPC D12/204–213
CPC B60B 7/00; B60B 7/02; B60B 7/04;
B60B 7/01; B60B 7/06; B60B 3/02; B60B
3/04; B60B 3/06; B60B 3/10; B60B 1/00;
B60B 1/08; B60B 1/10; B60B 1/12
See application file for complete search history.

(56) **References Cited**

U.S. PATENT DOCUMENTS

D44,318 S * 7/1913 Moore D12/211
D83,715 S * 3/1931 Bentley D12/211
D205,032 S * 6/1966 Reid D12/211

D215,928 S * 11/1969 Porsche D12/211
D237,703 S * 11/1975 Clement et al. D12/211
D238,421 S * 1/1976 Wittine D12/211
D248,749 S * 8/1978 Siroonian D12/211
D288,313 S * 2/1987 Sandberg D12/211
D344,924 S * 3/1994 Braungart et al. D12/211
D441,708 S * 5/2001 Pfeiffer D12/211
D480,677 S * 10/2003 Atwell D12/211
D502,136 S * 2/2005 Pfeiffer D12/211
D523,801 S * 6/2006 Madden D12/211
D560,589 S * 1/2008 Celik D12/211
D577,649 S * 9/2008 Ettensberger D12/211
D597,920 S * 8/2009 Idei D12/211
D658,106 S * 4/2012 Thurner D12/211
D658,562 S * 5/2012 Junghanns D12/211
D715,721 S * 10/2014 Chung D12/211

* cited by examiner

Primary Examiner — Stacia Cadmus

(74) *Attorney, Agent, or Firm* — Quinn Law Group, PLLC

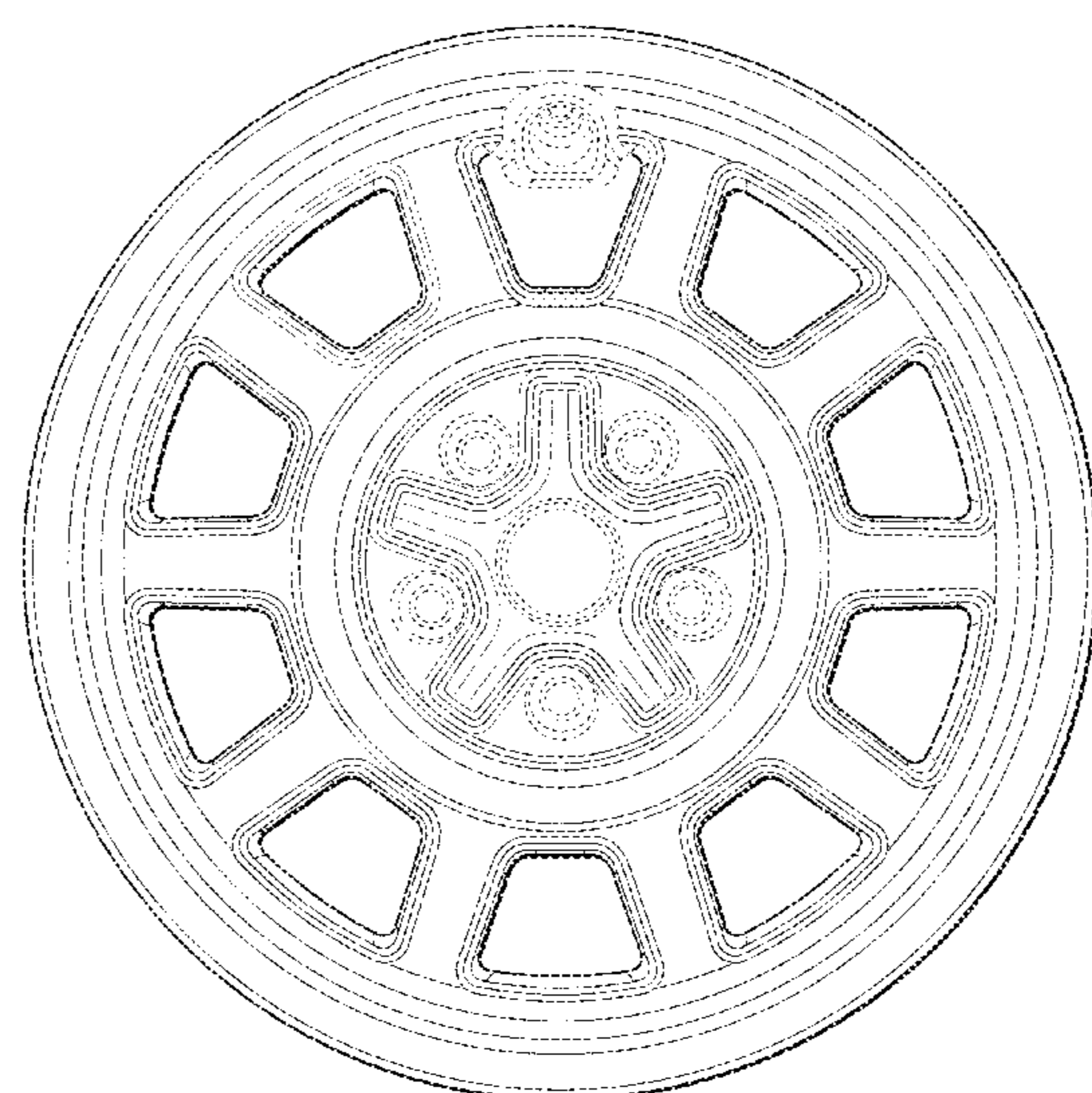
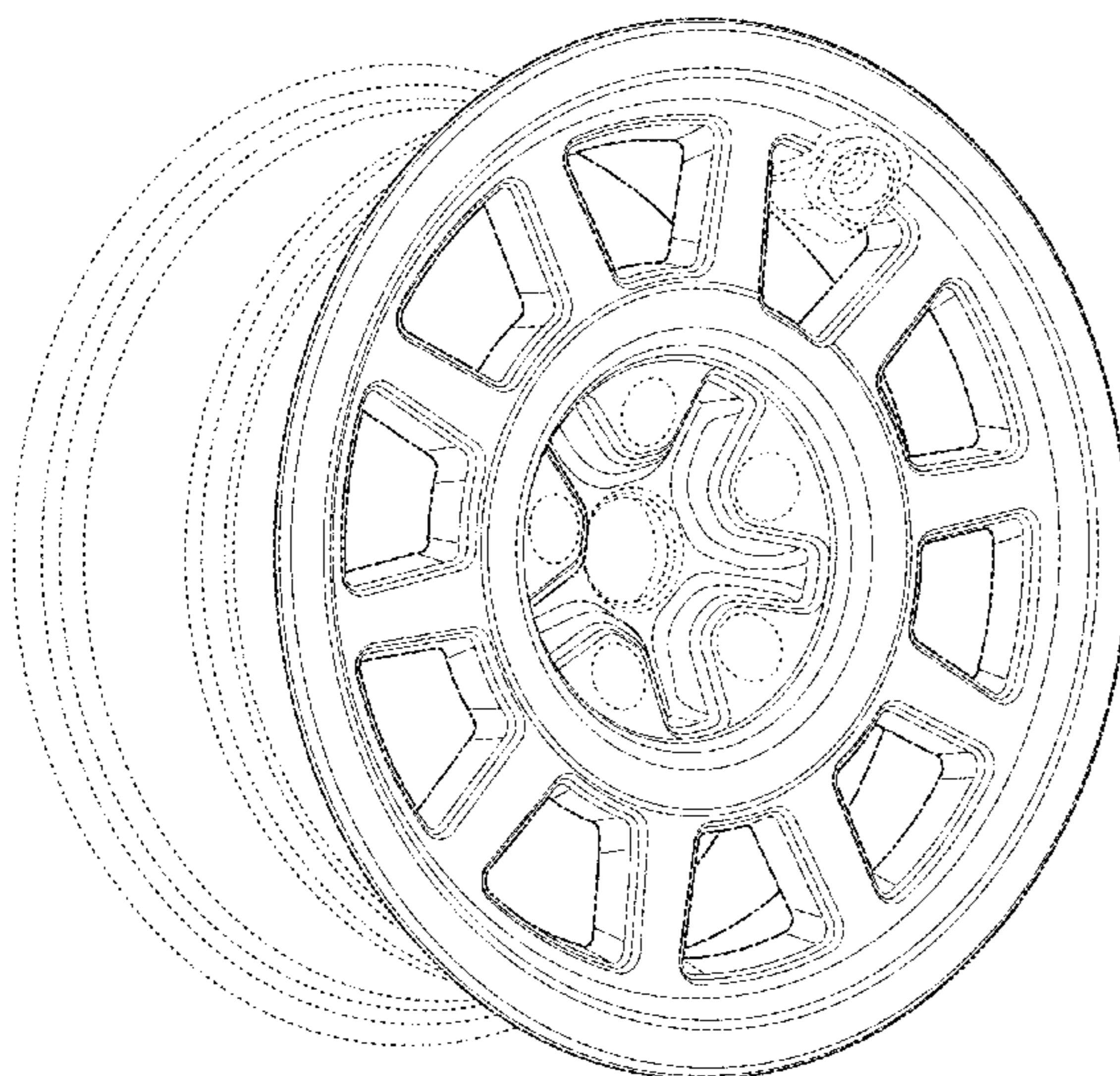
(57) **CLAIM**

We claim the ornamental design for a wheel, as shown and described.

DESCRIPTION

FIG. 1 is a front perspective view of the wheel.
FIG. 2 is a rear perspective view of the wheel.
FIG. 3 is a front view of the wheel.
FIG. 4 is a rear view of the wheel.
FIG. 5 is a side view of the wheel; and,
FIG. 6 is another side view of the wheel.
All broken lines illustrate portions of the wheel to which the design is applied that form no part of the claim.

1 Claim, 5 Drawing Sheets



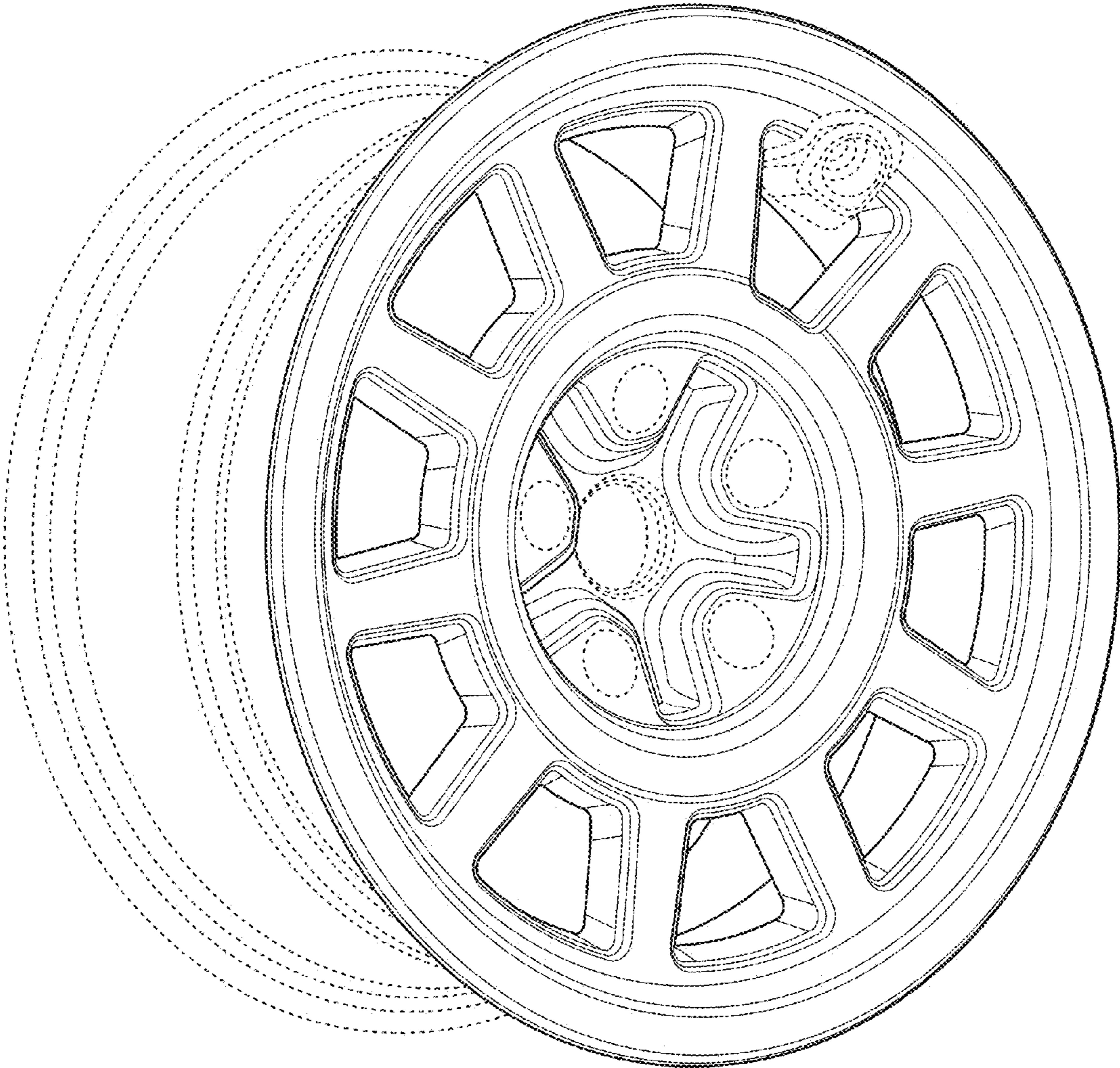


FIG. 1

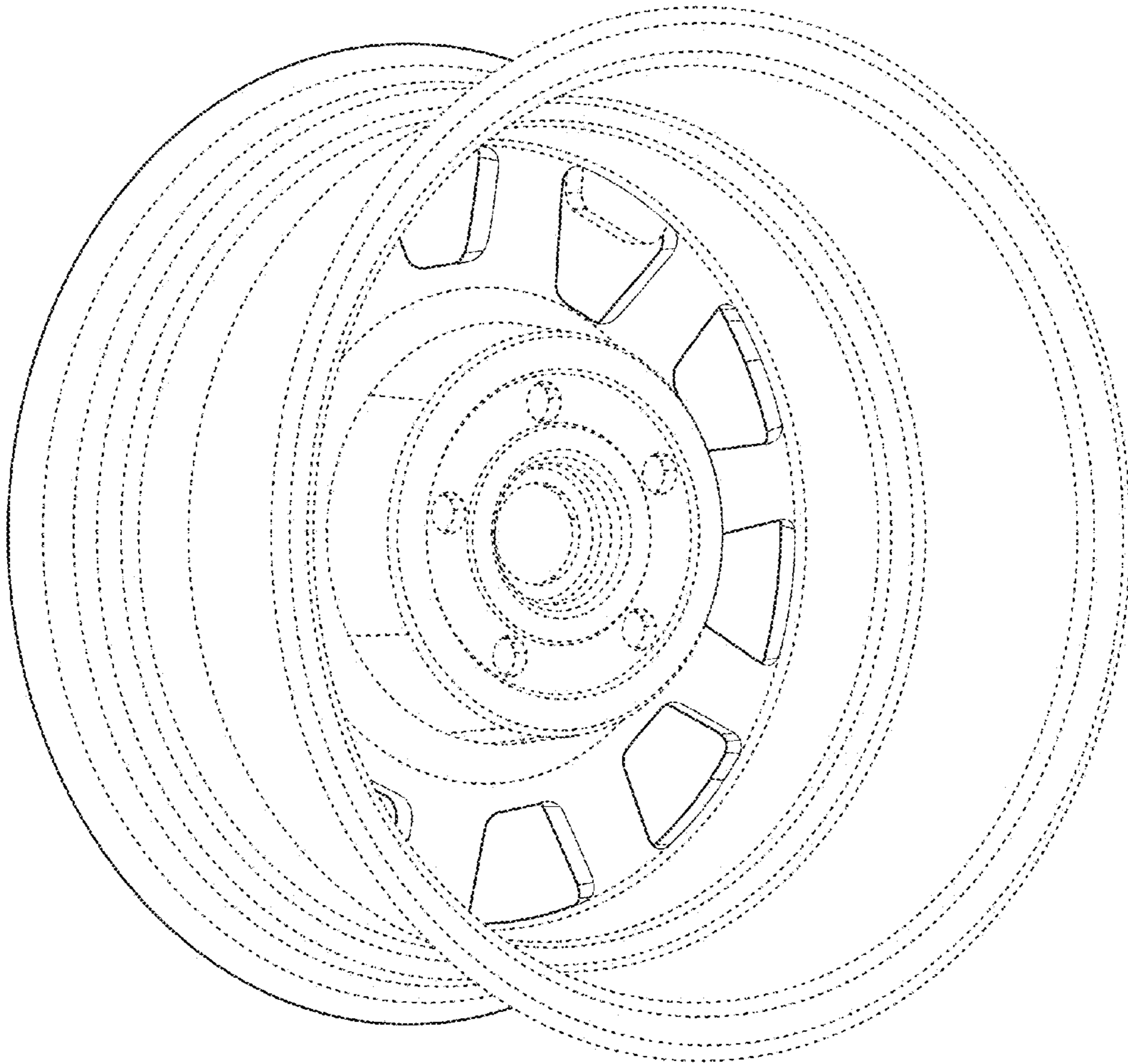


FIG. 2

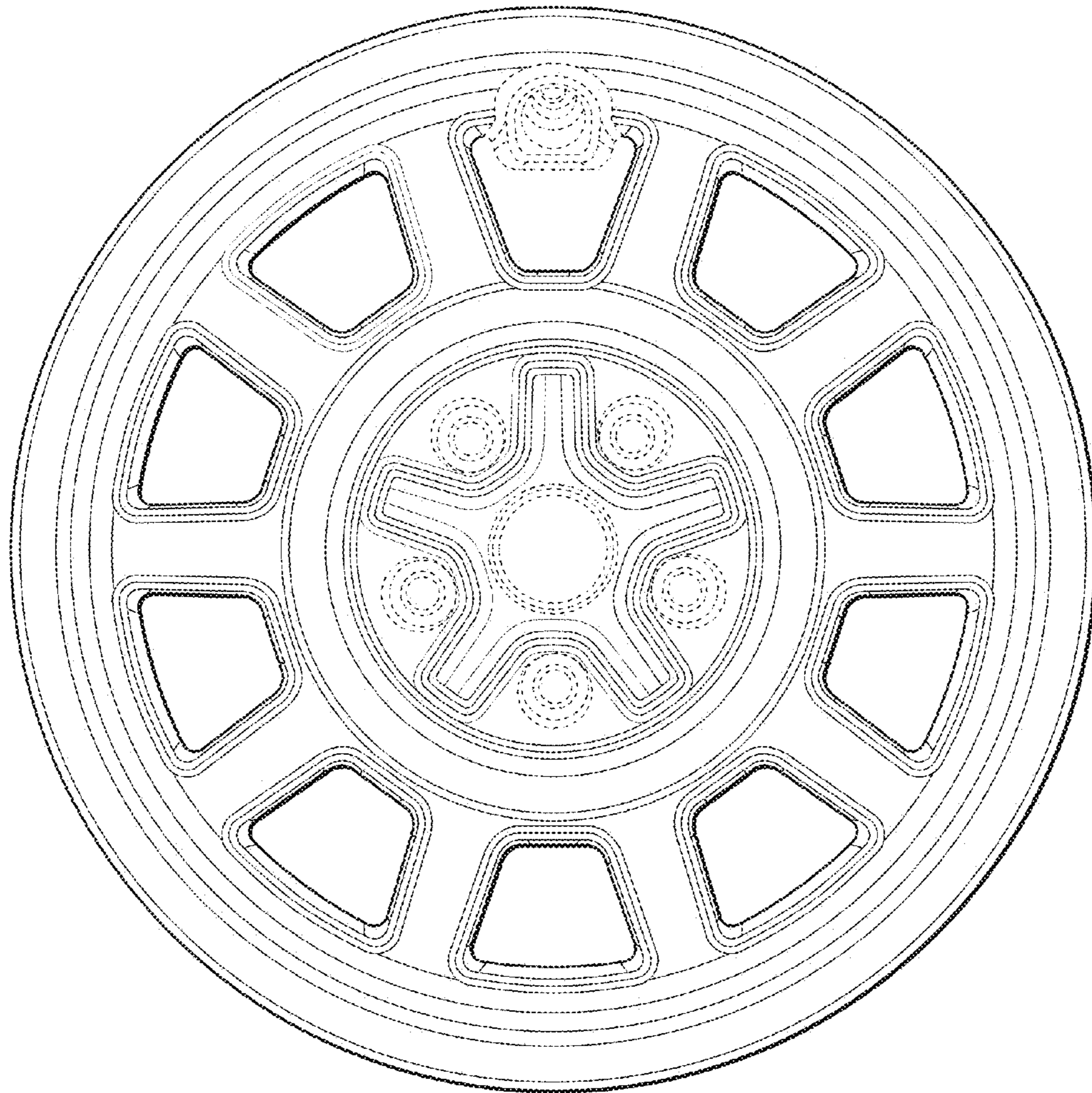


FIG. 3

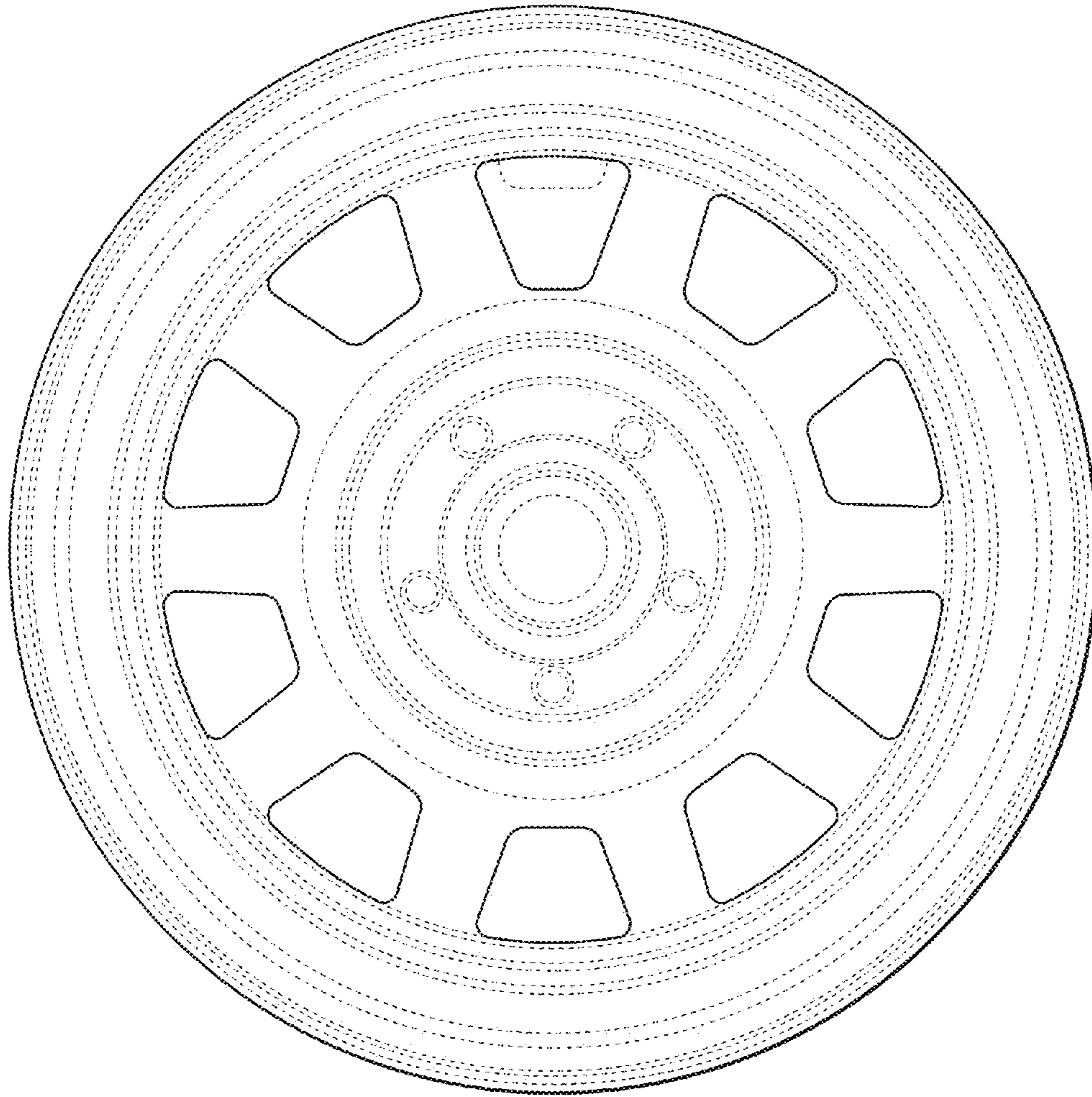


FIG. 4

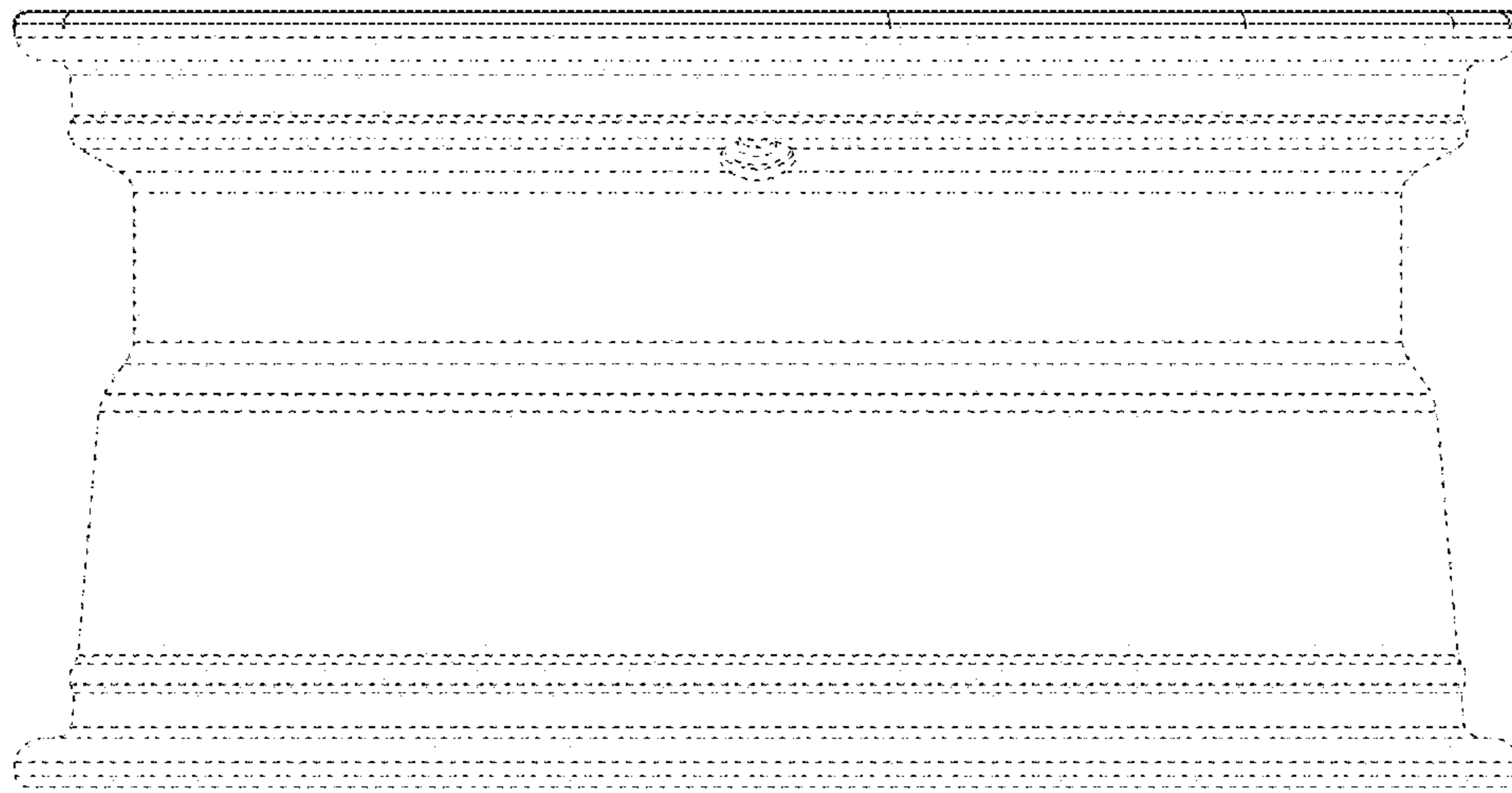


FIG. 6

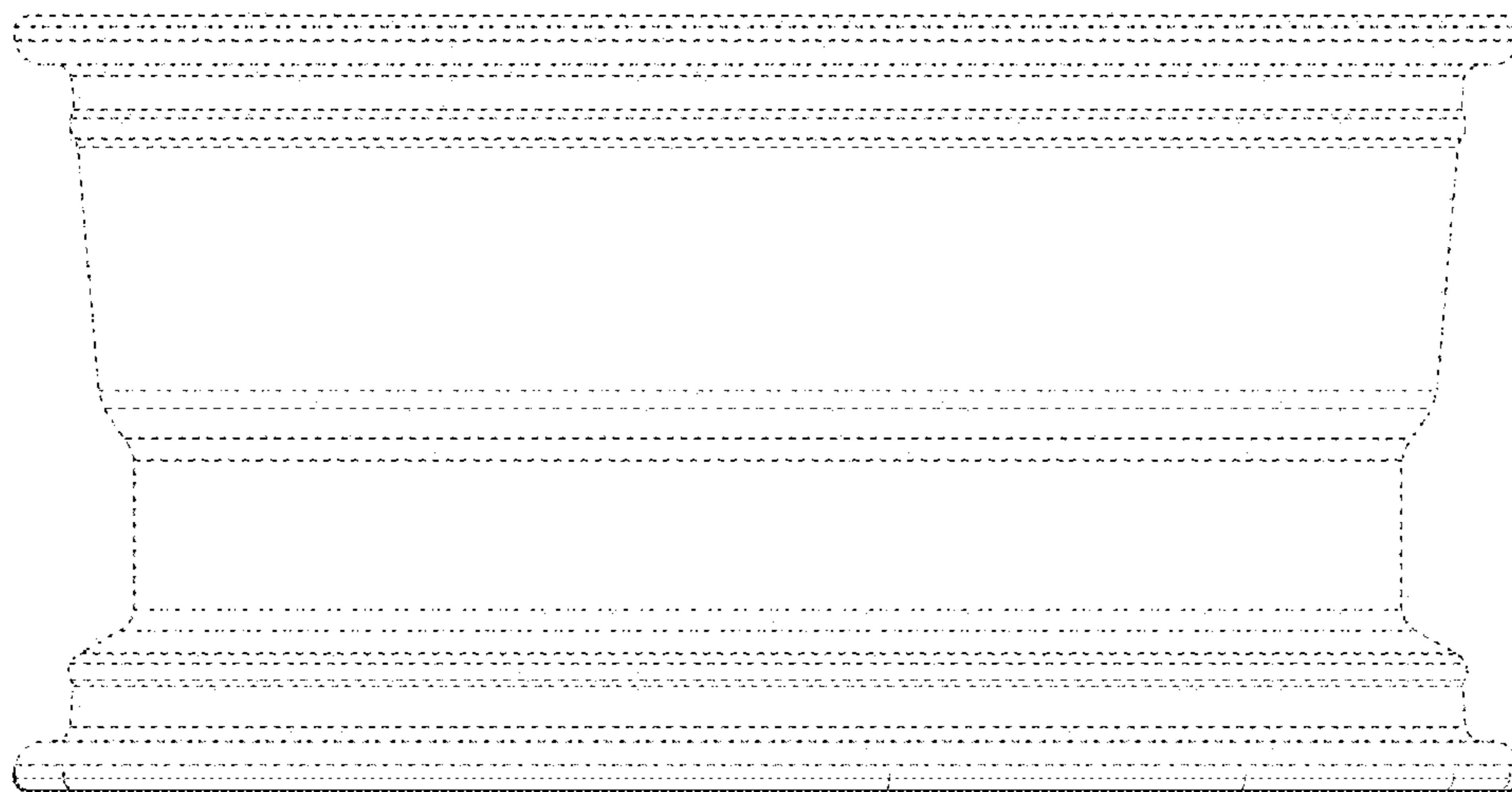


FIG. 5