



US00D751482S

(12) **United States Design Patent**
Caswell et al.

(10) **Patent No.:** **US D751,482 S**
(45) **Date of Patent:** **** Mar. 15, 2016**

(54) **VEHICLE WHEEL**

- (71) Applicant: **Ford Motor Company**, Dearborn, MI (US)
- (72) Inventors: **John C. Caswell**, Grosse Pointe, MI (US); **David C. Mahoney**, Orchard Lake, MI (US); **Christopher Hamilton**, Cold Norton (GB)
- (73) Assignee: **Ford Motor Company**, Dearborn, MI (US)
- (**) Term: **14 Years**
- (21) Appl. No.: **29/491,450**
- (22) Filed: **May 21, 2014**
- (51) **LOC (10) Cl.** **12-16**
- (52) **U.S. Cl.**
USPC **D12/209**
- (58) **Field of Classification Search**
USPC D12/204–213
CPC B60B 7/00; B60B 7/02; B60B 7/04; B60B 7/01; B60B 7/06; B60B 3/02; B60B 3/04; B60B 3/06; B60B 3/10; B60B 1/00; B60B 1/08; B60B 1/10; B60B 1/12
See application file for complete search history.

(56) **References Cited**

U.S. PATENT DOCUMENTS

D522,433	S	*	6/2006	Szavits	D12/209
D580,842	S	*	11/2008	Kim	D12/211
D608,713	S	*	1/2010	Bucher	D12/209
D617,243	S	*	6/2010	Juergens	D12/209
D649,503	S	*	11/2011	Platto	D12/209
D654,006	S	*	2/2012	Baum	D12/209
D673,095	S	*	12/2012	Behmer	D12/209
D674,330	S	*	1/2013	Kito	D12/209
D683,682	S	*	6/2013	Alfonso	D12/209
D697,004	S	*	1/2014	Pollmann	D12/209
D697,007	S	*	1/2014	Pollmann	D12/209
D707,170	S	*	6/2014	Wheel	D12/211
D728,441	S	*	5/2015	Zhang	D12/209
D734,234	S	*	7/2015	Juergens	D12/209
D739,326	S	*	9/2015	Juergens	D12/209
D740,192	S	*	10/2015	Buck	D12/209

* cited by examiner

Primary Examiner — Stacia Cadmus

(74) *Attorney, Agent, or Firm* — Damian Porcari

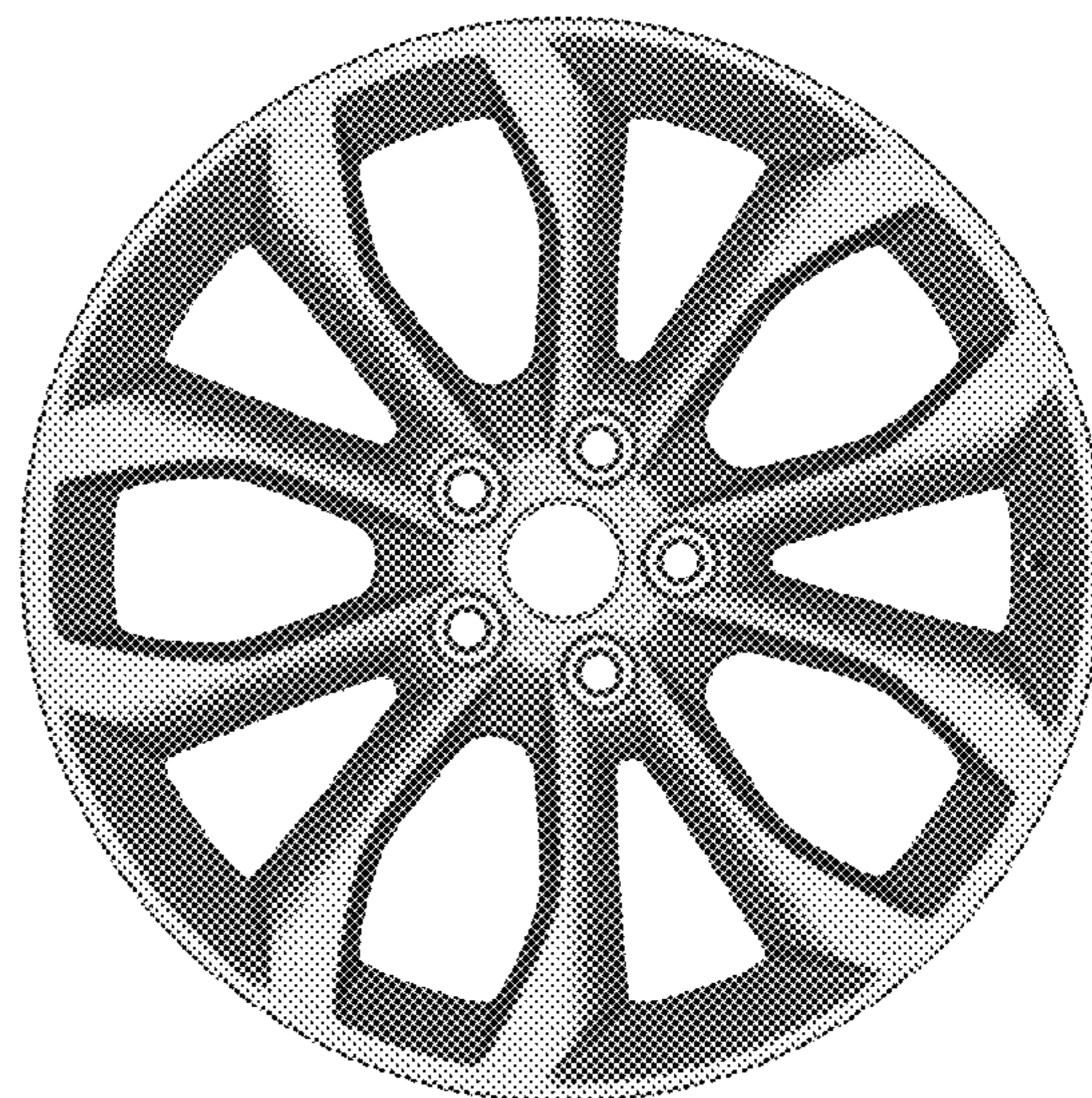
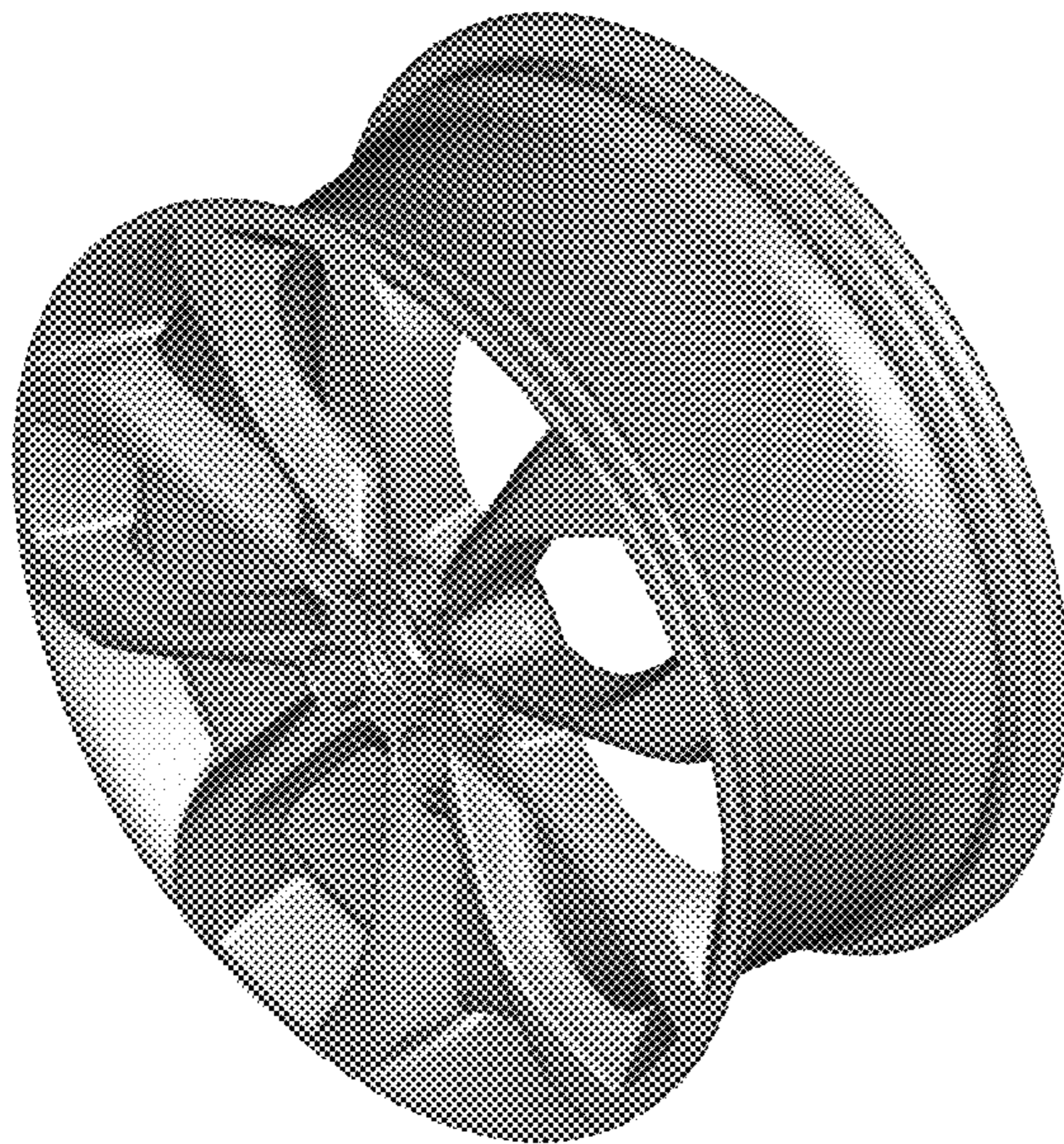
(57) **CLAIM**

The ornamental design for a vehicle wheel, as shown and described.

DESCRIPTION

FIG. 1 is a perspective view of a vehicle wheel; and, FIG. 2 is a front view thereof.

1 Claim, 2 Drawing Sheets



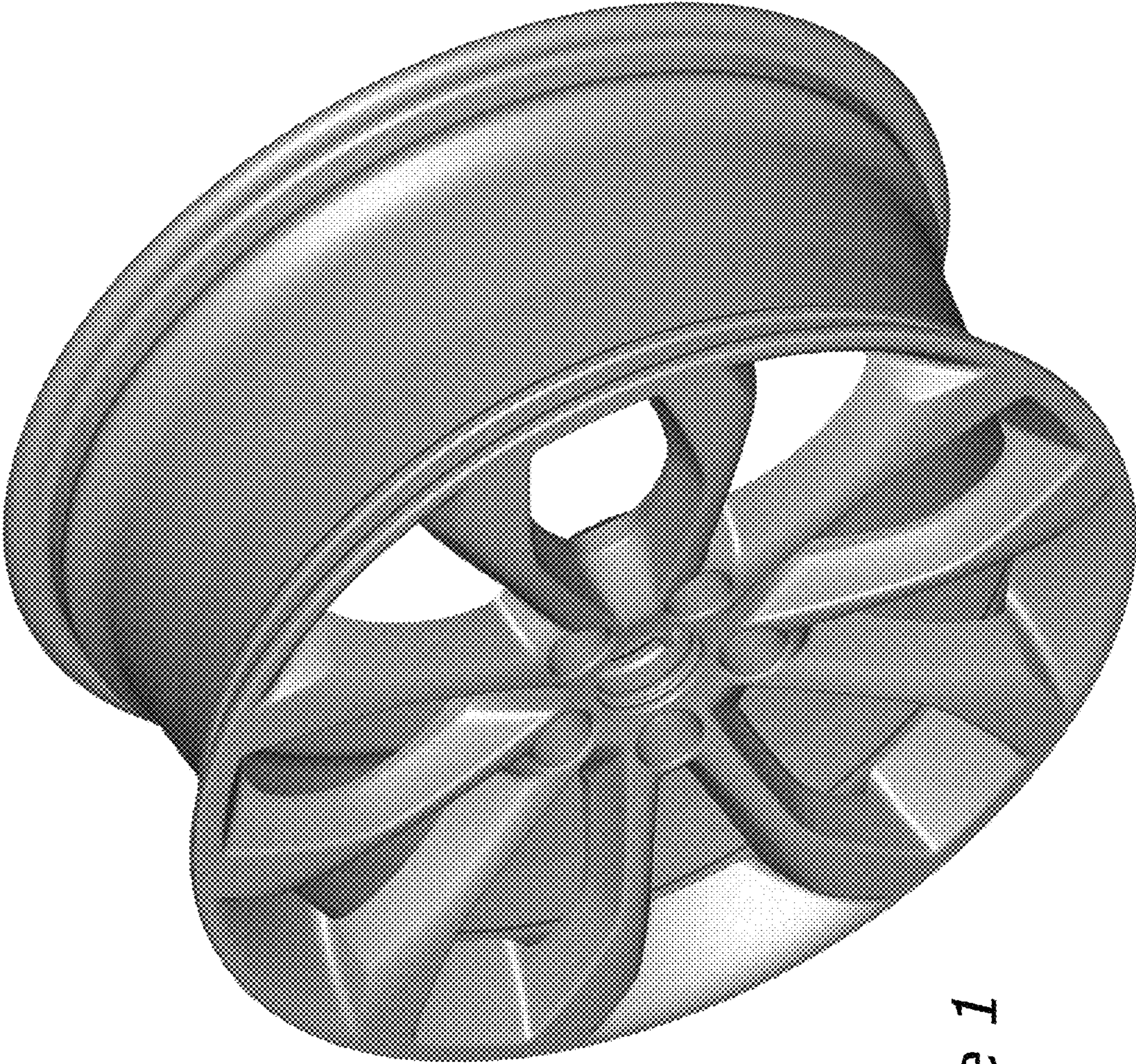


Figure 1



Figure 2