



US00D751481S

(12) **United States Design Patent**
Chung

(10) **Patent No.:** **US D751,481 S**

(45) **Date of Patent:** **** *Mar. 15, 2016**

(54) **AUTOMOTIVE WHEEL**

(71) Applicant: **Suny Chung**, Anaheim, CA (US)

(72) Inventor: **Suny Chung**, Anaheim, CA (US)

(*) Notice: This patent is subject to a terminal disclaimer.

(**) Term: **14 Years**

(21) Appl. No.: **29/486,854**

(22) Filed: **Apr. 3, 2014**

(51) **LOC (10) Cl.** **12-16**

(52) **U.S. Cl.**
USPC **D12/209**

(58) **Field of Classification Search**
USPC D12/204-213
CPC B60B 7/00; B60B 7/02; B60B 7/04;
B60B 7/01; B60B 7/06; B60B 3/02; B60B
3/04; B60B 3/06; B60B 3/10; B60B 1/00;
B60B 1/08; B60B 1/10; B60B 1/12
See application file for complete search history.

(56) **References Cited**

U.S. PATENT DOCUMENTS

D337,563 S *	7/1993	Boselli	D12/209
D450,030 S *	11/2001	Pfeiffer	D12/211
D456,332 S *	4/2002	Vian	D12/211
D504,101 S *	4/2005	Pfeiffer	D12/211

D538,730 S *	3/2007	Turner	D12/209
D543,922 S *	6/2007	Young	D12/209
D548,167 S *	8/2007	Groom	D12/211
D582,828 S *	12/2008	Young	D12/211
D582,830 S *	12/2008	Musser	D12/211
D617,720 S *	6/2010	Zhao	D12/211
D633,840 S *	3/2011	Johnson	D12/209
D660,220 S *	5/2012	Chan	D12/211
D691,542 S *	10/2013	Chan	D12/209
D704,122 S *	5/2014	Chung	D12/211
D706,196 S *	6/2014	Lee	D12/211
D721,317 S *	1/2015	Kern	D12/211
D721,318 S *	1/2015	Kim	D12/211
D724,515 S *	3/2015	Chung	D12/209
D727,825 S *	4/2015	Chung	D12/211

* cited by examiner

Primary Examiner — Stacia Cadmus

(57) **CLAIM**

The ornamental design for an automotive wheel, as shown and described.

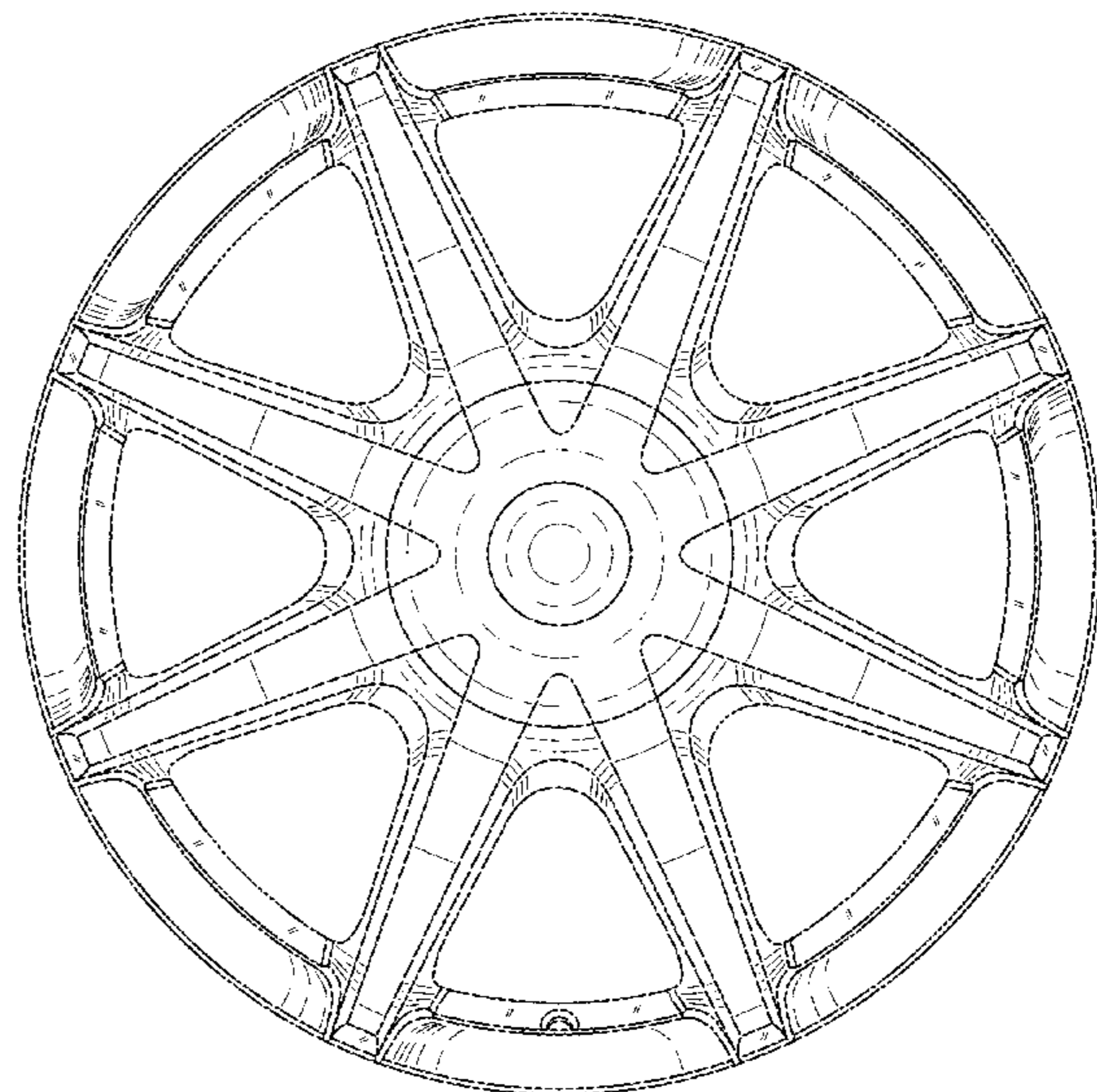
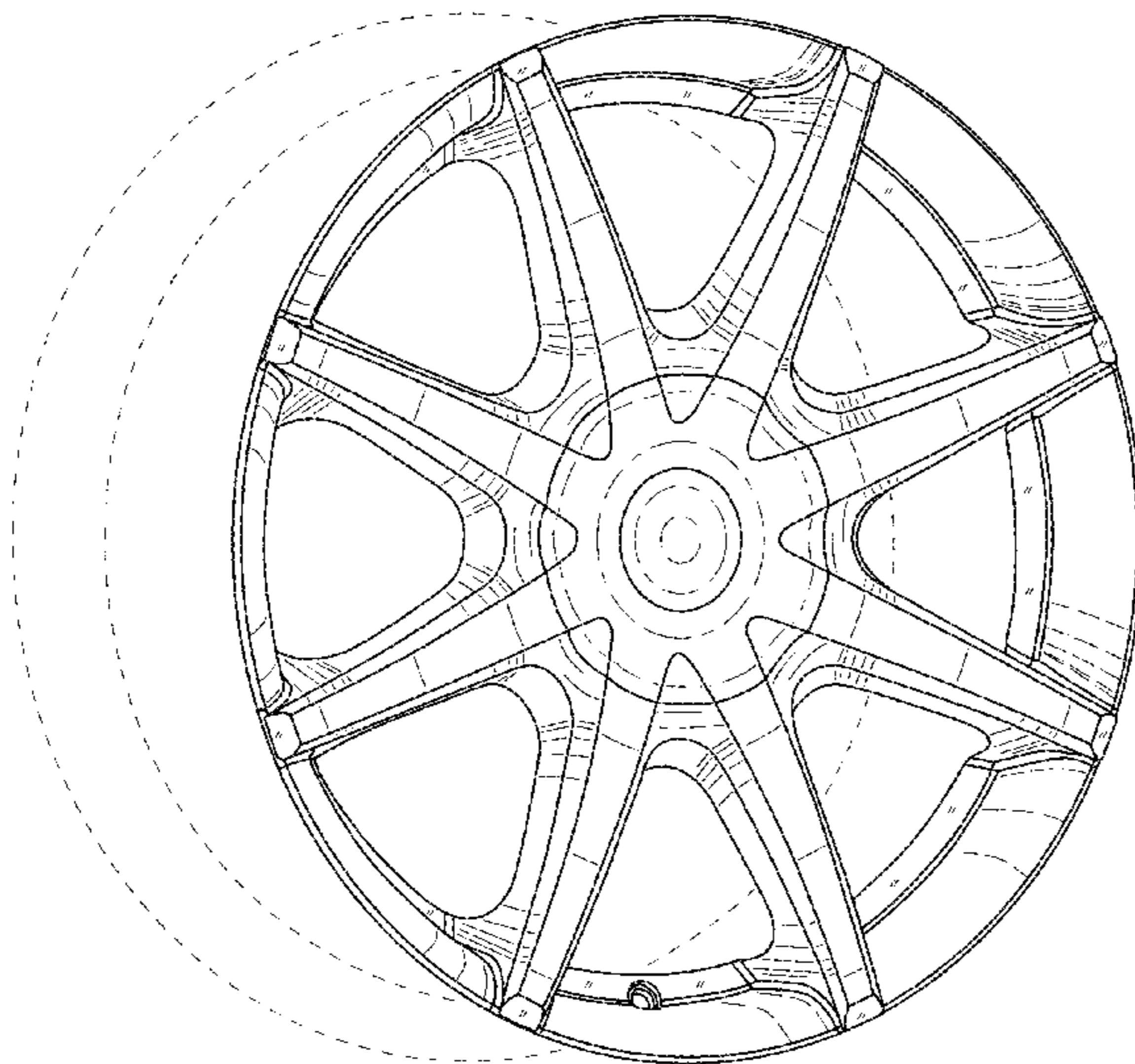
DESCRIPTION

FIG. 1 is a perspective view of an automotive wheel, showing my new design; and,

FIG. 2 is a front view thereof.

The broken line showing of the rear portion of the wheel is included for the purpose of illustrating environment and forms no part of the claimed design.

1 Claim, 2 Drawing Sheets



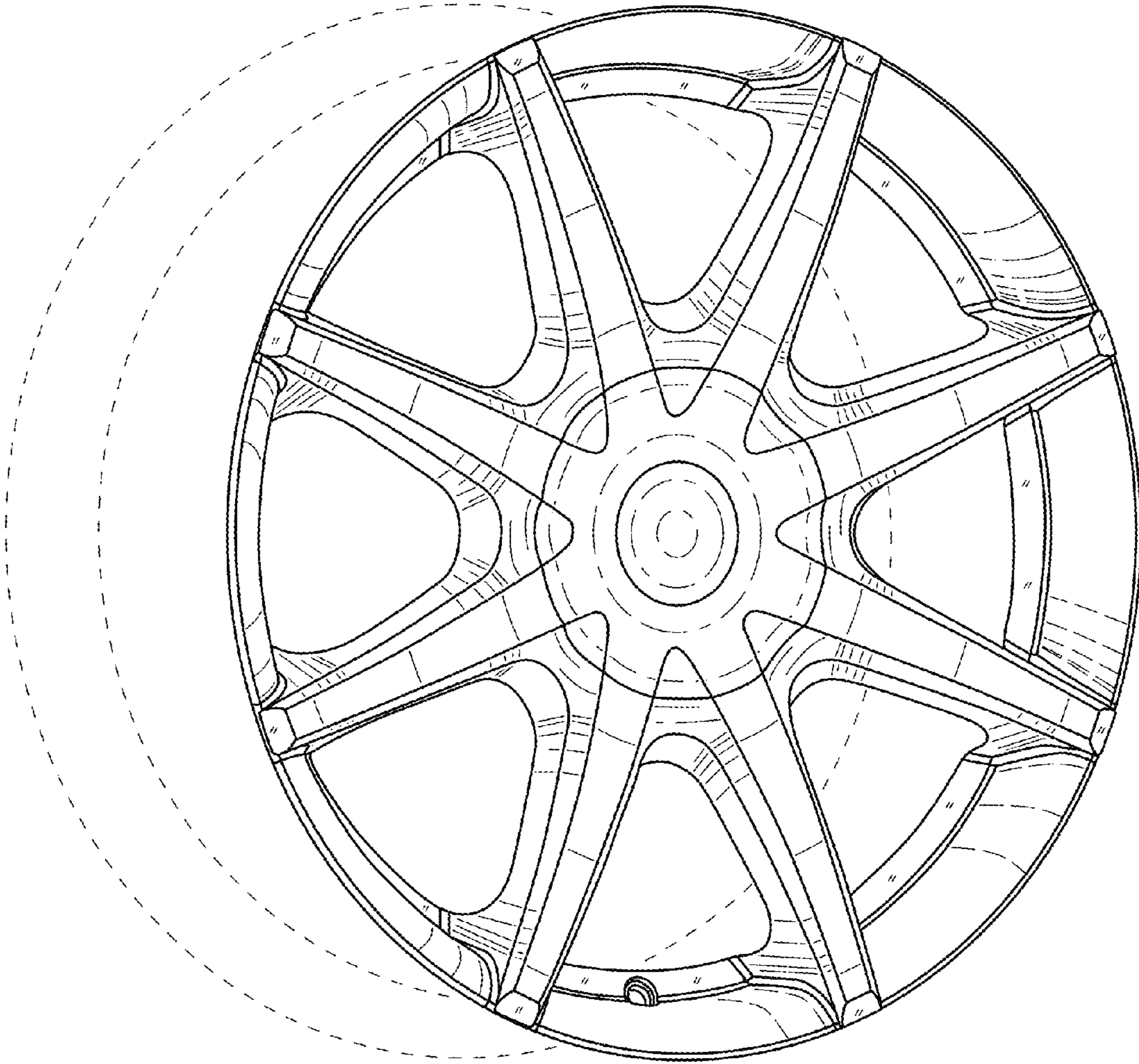


FIGURE 1

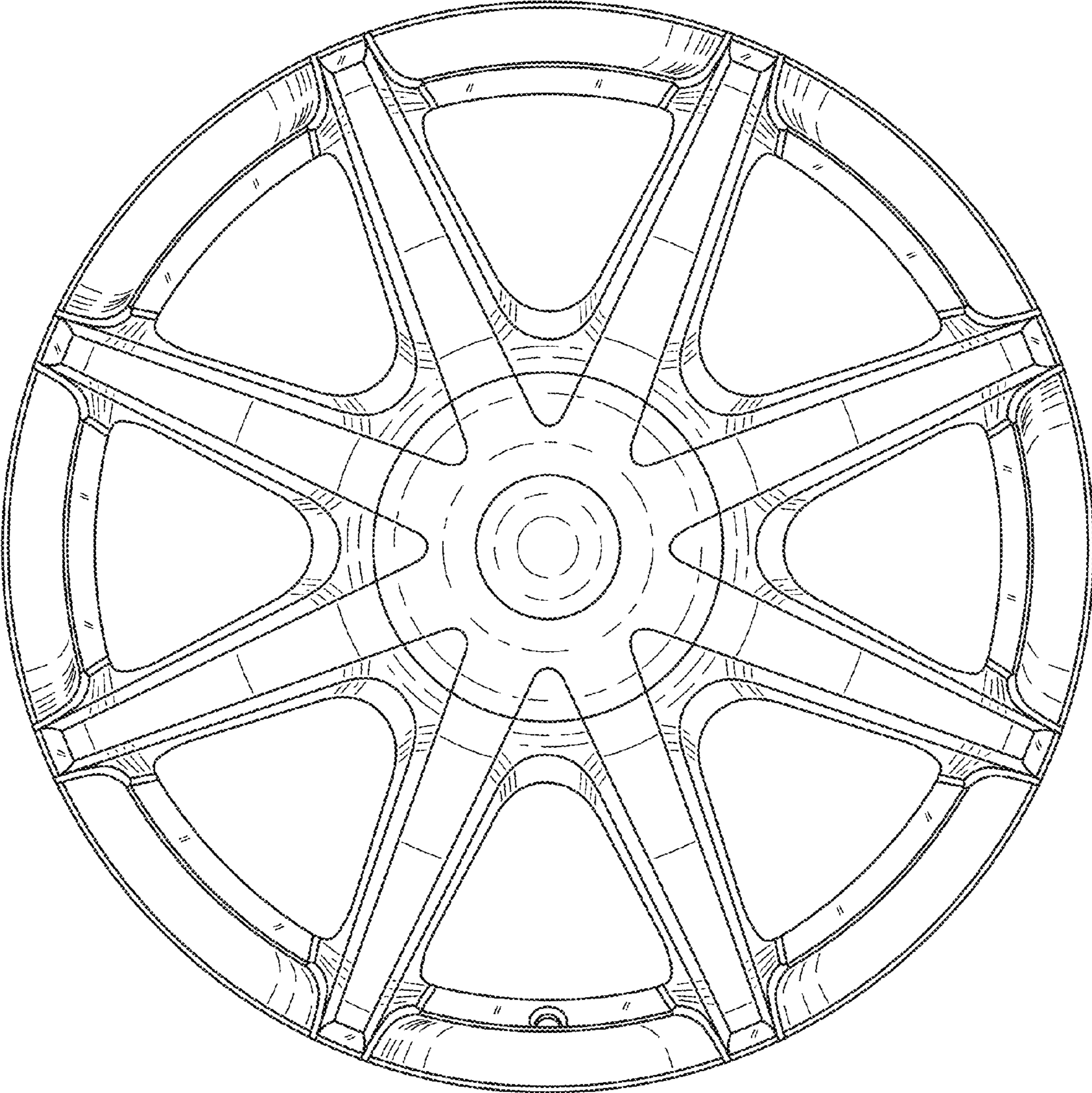


FIGURE 2