



US00D751480S

(12) **United States Design Patent**
Chung

(10) **Patent No.:** **US D751,480 S**
(45) **Date of Patent:** **** Mar. 15, 2016**

(54) **AUTOMOTIVE WHEEL**

(71) Applicant: **Suny Chung**, Anaheim, CA (US)

(72) Inventor: **Suny Chung**, Anaheim, CA (US)

(**) Term: **14 Years**

(21) Appl. No.: **29/486,853**

(22) Filed: **Apr. 3, 2014**

(51) **LOC (10) Cl.** **12-16**

(52) **U.S. Cl.**
USPC **D12/209**

(58) **Field of Classification Search**
USPC D12/204–213
CPC B60B 7/00; B60B 7/02; B60B 7/04;
B60B 7/01; B60B 7/06; B60B 3/02; B60B
3/04; B60B 3/06; B60B 3/10; B60B 1/00;
B60B 1/08; B60B 1/10; B60B 1/12
See application file for complete search history.

(56) **References Cited**

U.S. PATENT DOCUMENTS

| | | | | |
|--------------|---------|------------|-------|---------|
| D337,563 S * | 7/1993 | Boselli | | D12/209 |
| D448,712 S * | 10/2001 | Laengerer | | D12/209 |
| D449,267 S * | 10/2001 | Fitzgerald | | D12/211 |
| D458,208 S * | 6/2002 | Hartl | | D12/211 |
| D470,449 S * | 2/2003 | Bernoni | | D12/211 |
| D488,763 S * | 4/2004 | Takechi | | D12/211 |

| | | | | |
|--------------|---------|----------|-------|---------|
| D518,766 S * | 4/2006 | Burns | | D12/211 |
| D522,429 S * | 6/2006 | Ishiwata | | D12/209 |
| D524,215 S * | 7/2006 | Guevara | | D12/211 |
| D579,848 S * | 11/2008 | Kim | | D12/211 |
| D582,828 S * | 12/2008 | Young | | D12/211 |
| D617,721 S * | 6/2010 | Zhao | | D12/211 |
| D619,074 S * | 7/2010 | Zhao | | D12/211 |
| D653,189 S * | 1/2012 | Zhao | | D12/211 |
| D656,450 S * | 3/2012 | Zhao | | D12/211 |
| D680,048 S * | 4/2013 | Zhao | | D12/211 |
| D684,518 S * | 6/2013 | Zhao | | D12/211 |
| D723,994 S * | 3/2015 | Chung | | D12/211 |

* cited by examiner

Primary Examiner — Stacia Cadmus

(57) **CLAIM**

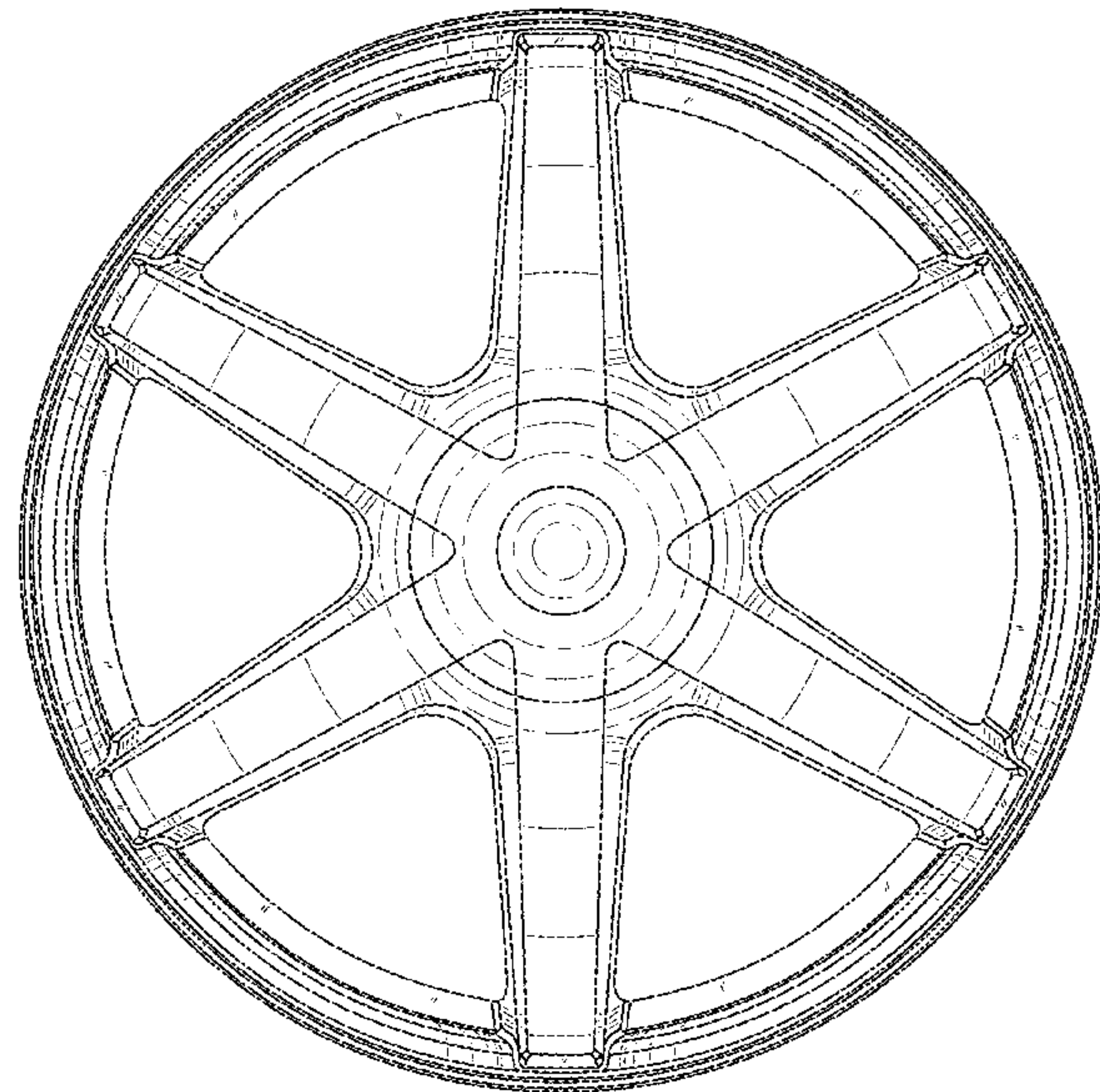
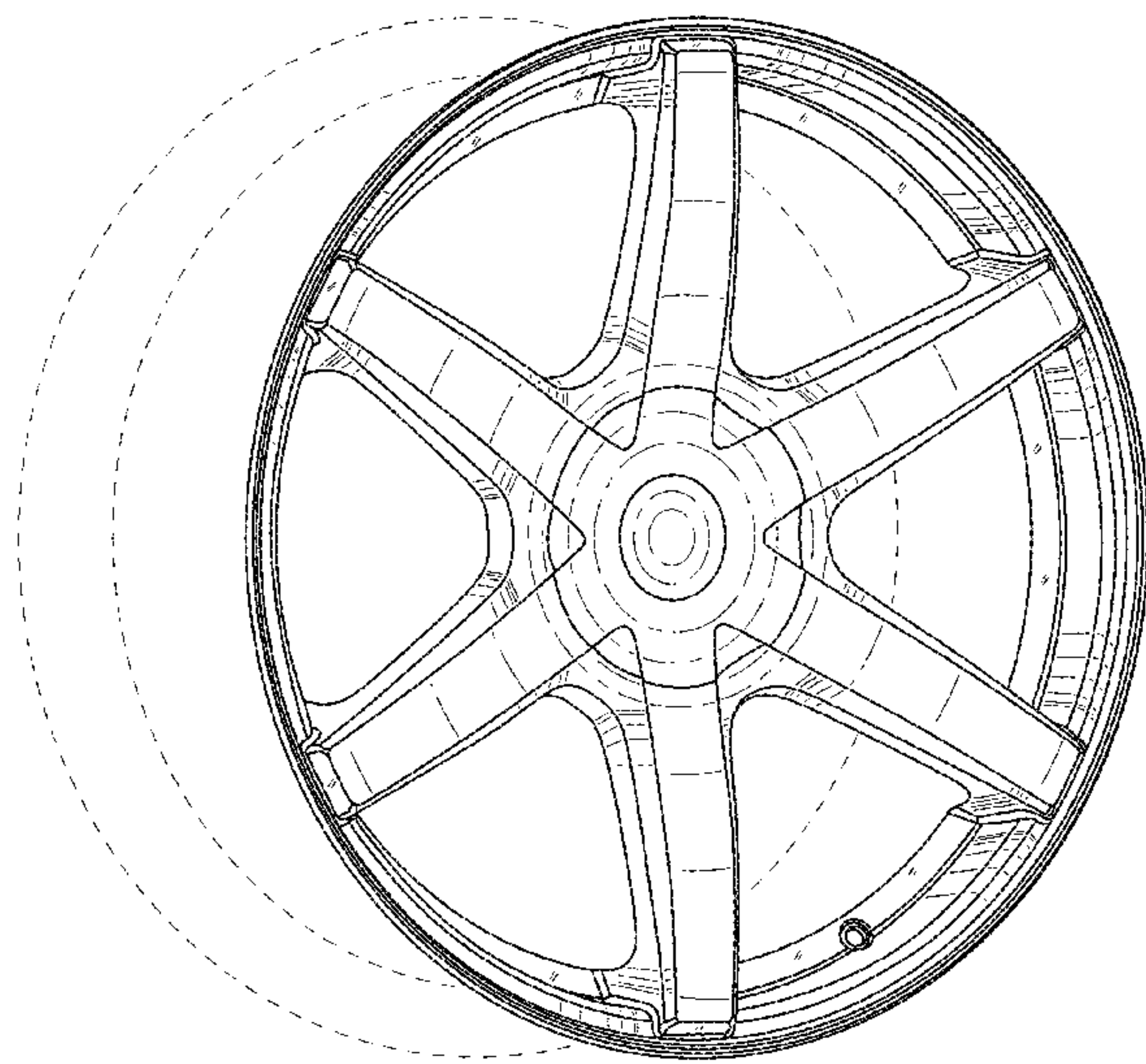
The ornamental design for an automotive wheel, as shown and described.

DESCRIPTION

FIG. 1 is a perspective view of an automotive wheel, showing my new design; and, FIG. 2 is a front view thereof.

The broken line showing of the rear portion of the wheel is included for the purpose of illustrating environment and forms no part of the claimed design.

1 Claim, 2 Drawing Sheets



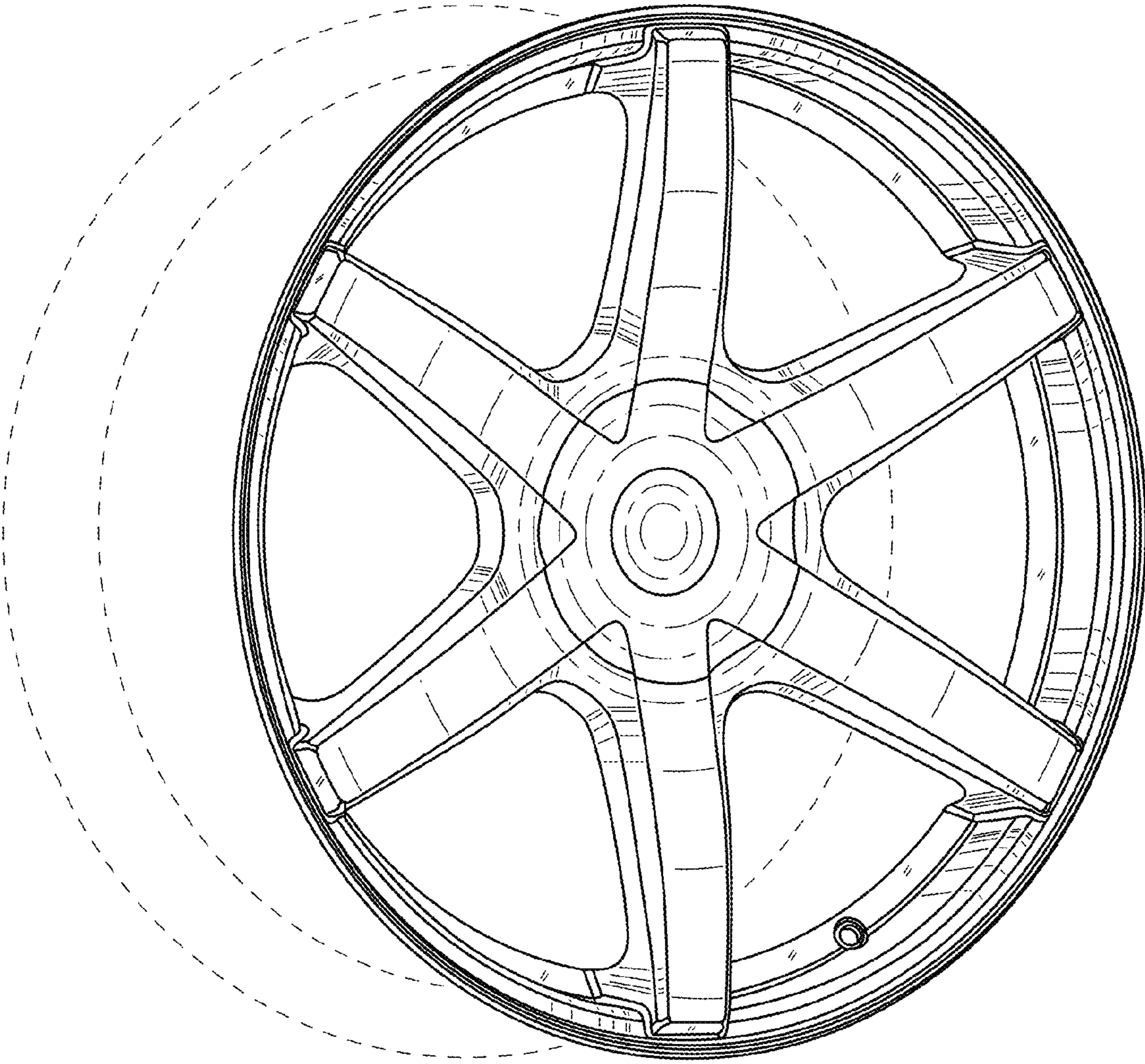


FIGURE 1

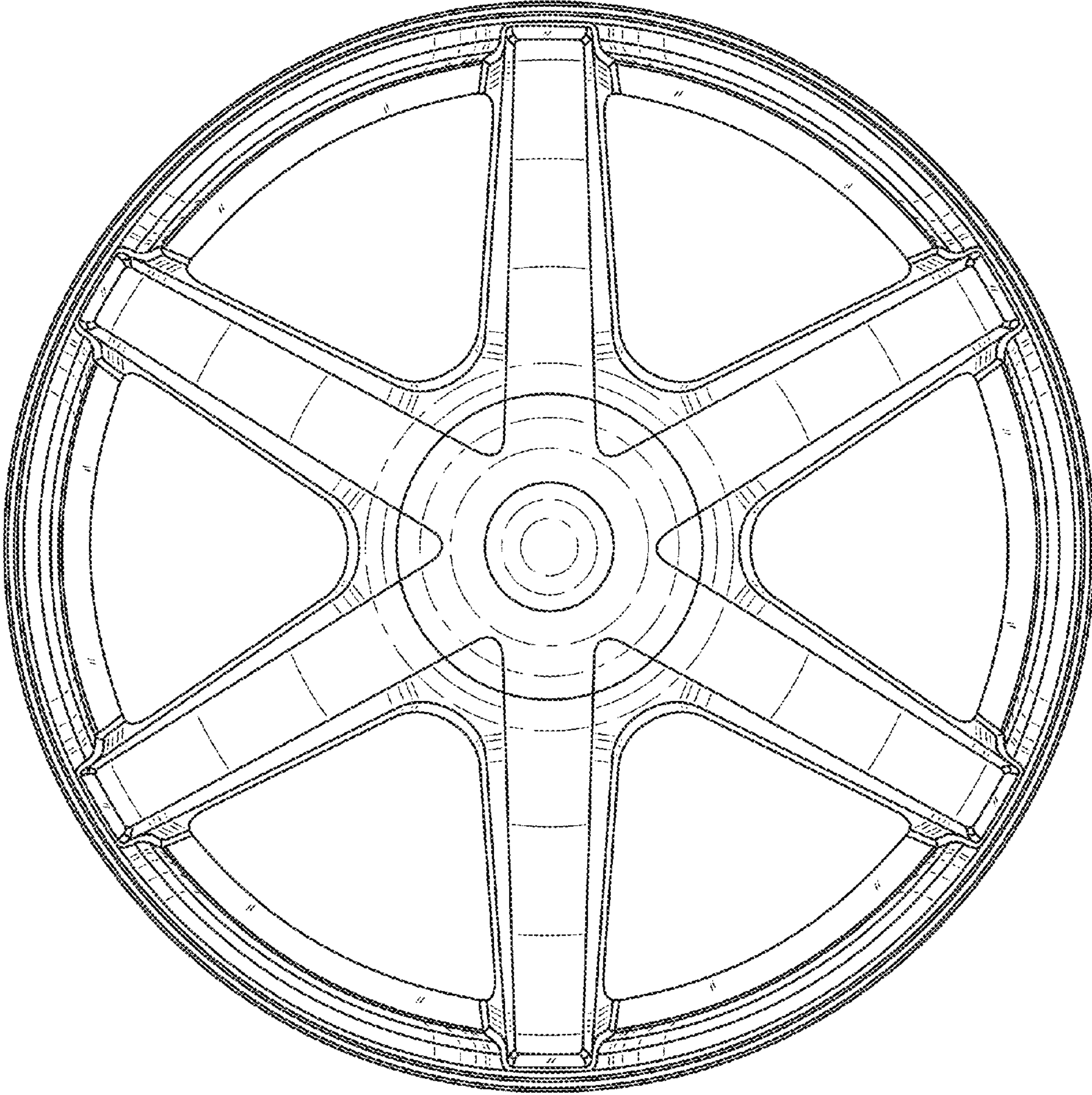


FIGURE 2