



US00D751479S

(12) **United States Design Patent**  
**Nagano**

(10) **Patent No.:** **US D751,479 S**  
(45) **Date of Patent:** **\*\* Mar. 15, 2016**

(54) **EXHAUST ADAPTER**  
(71) Applicant: **NORITZ CORPORATION**, Hyogo  
(JP)

(72) Inventor: **Takanori Nagano**, Kakogawa (JP)  
(73) Assignee: **NORITZ CORPORATION**, Hyogo  
(JP)

(\*\*) Term: **14 Years**

(21) Appl. No.: **29/492,341**

(22) Filed: **May 30, 2014**

(51) **LOC (10) Cl.** ..... **12-16**

(52) **U.S. Cl.**  
USPC ..... **D12/194**

(58) **Field of Classification Search**  
USPC ..... D23/320; D8/349-352; 122/424, 365;  
285/41, 42, 46, 53, 65, 223, 226, 405,  
285/903  
CPC ... B60H 1/00; B60H 1/00021; B60H 1/00271  
See application file for complete search history.

(56) **References Cited**

**U.S. PATENT DOCUMENTS**

|              |      |         |                 |          |
|--------------|------|---------|-----------------|----------|
| 3,208,914    | A *  | 9/1965  | Dickson         | 376/262  |
| 3,306,109    | A *  | 2/1967  | Caparone        | 428/616  |
| 4,844,274    | A *  | 7/1989  | Sterk           | 220/581  |
| 8,596,226    | B2 * | 12/2013 | McAnally et al. | 122/17.1 |
| 2010/0269943 | A1   | 10/2010 | Arai            |          |
| 2011/0074149 | A1 * | 3/2011  | Matsui et al.   | 285/363  |

|              |      |         |               |           |
|--------------|------|---------|---------------|-----------|
| 2011/0240143 | A1 * | 10/2011 | Lang et al.   | 137/343   |
| 2012/0272928 | A1 * | 11/2012 | Kameyama      | 122/19.2  |
| 2012/0323221 | A1 * | 12/2012 | Gallo et al.  | 604/514   |
| 2015/0056903 | A1 * | 2/2015  | Nagano et al. | 454/47    |
| 2015/0219000 | A1 * | 8/2015  | Nojiri        | 250/338.3 |

**FOREIGN PATENT DOCUMENTS**

|    |             |   |         |
|----|-------------|---|---------|
| JP | 2000-179750 | A | 6/2000  |
| JP | 2006-349327 | A | 12/2006 |
| JP | 2009-281057 | A | 12/2009 |

\* cited by examiner

*Primary Examiner* — Michael A Pratt

(74) *Attorney, Agent, or Firm* — Studebaker & Brackett PC

(57) **CLAIM**

The ornamental design for an exhaust adapter, as shown and described.

**DESCRIPTION**

FIG. 1 is a front view of an exhaust adapter having its outer circumference supported by an exhaust pipe and its inner circumference supporting an exhaust tube in accordance with the present design;

FIG. 2 is a rear view thereof;

FIG. 3 is a top plan view thereof;

FIG. 4 is a bottom plan view thereof;

FIG. 5 is a right side view thereof;

FIG. 6 is a left side view thereof;

FIG. 7 is a top perspective view thereof;

FIG. 8 is a bottom perspective view thereof; and,

FIG. 9 is a cross sectional view thereof.

**1 Claim, 5 Drawing Sheets**

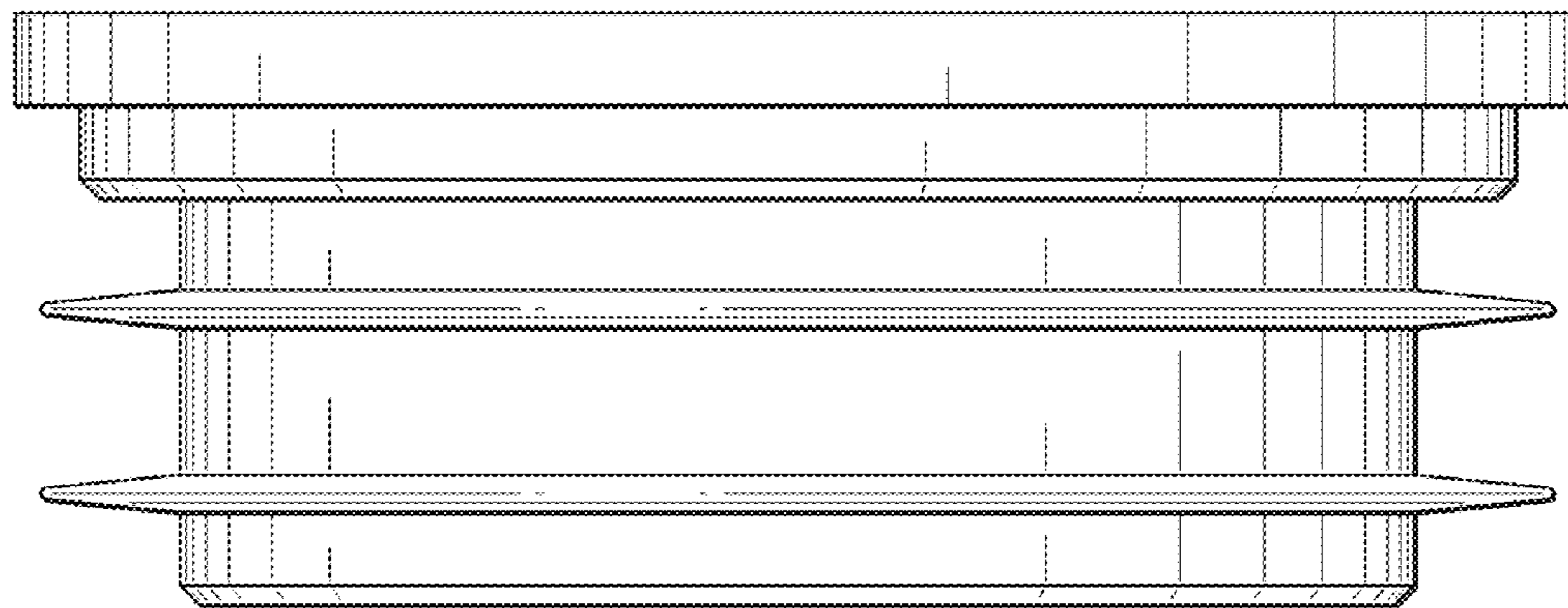


FIG.1

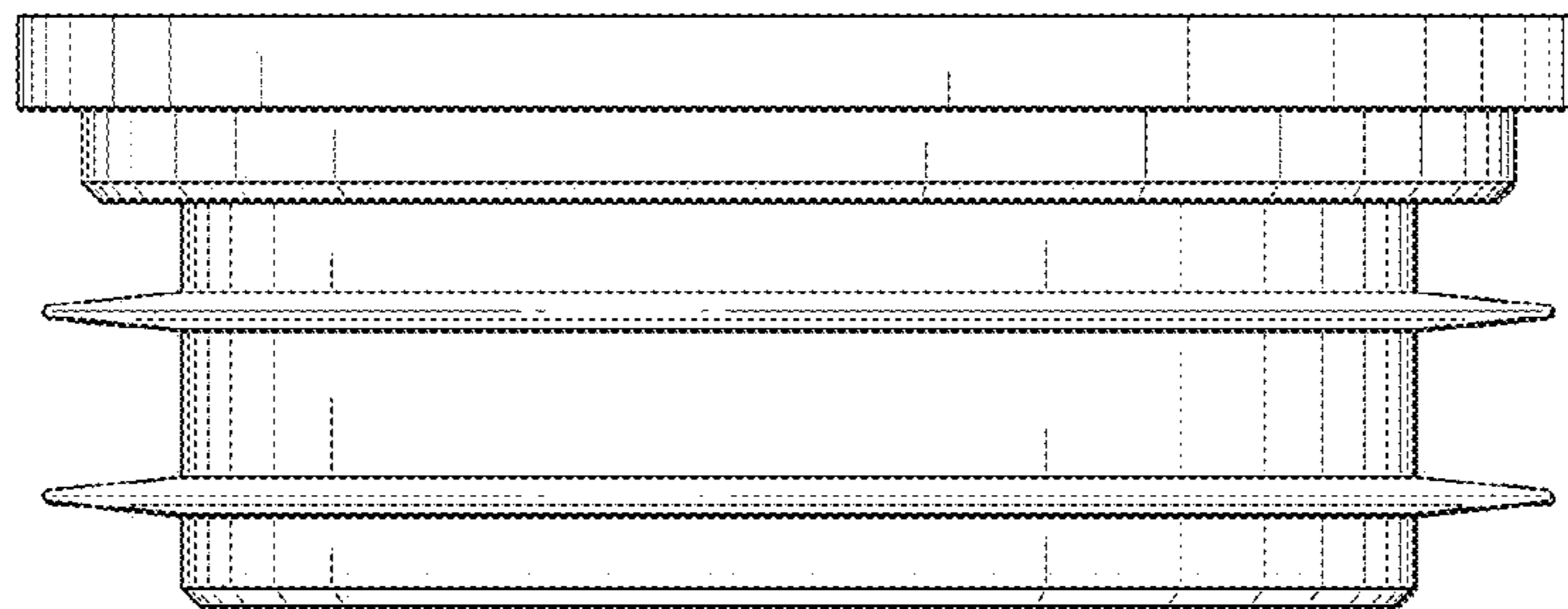


FIG.2

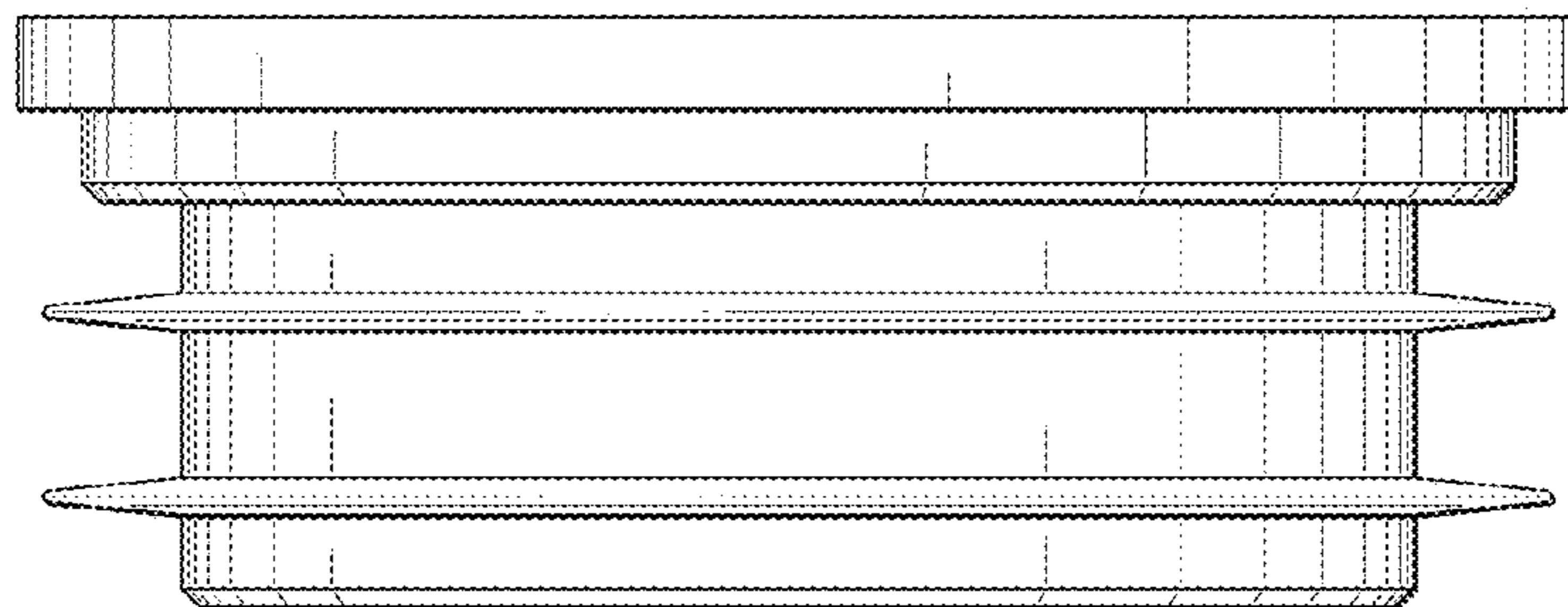


FIG.3

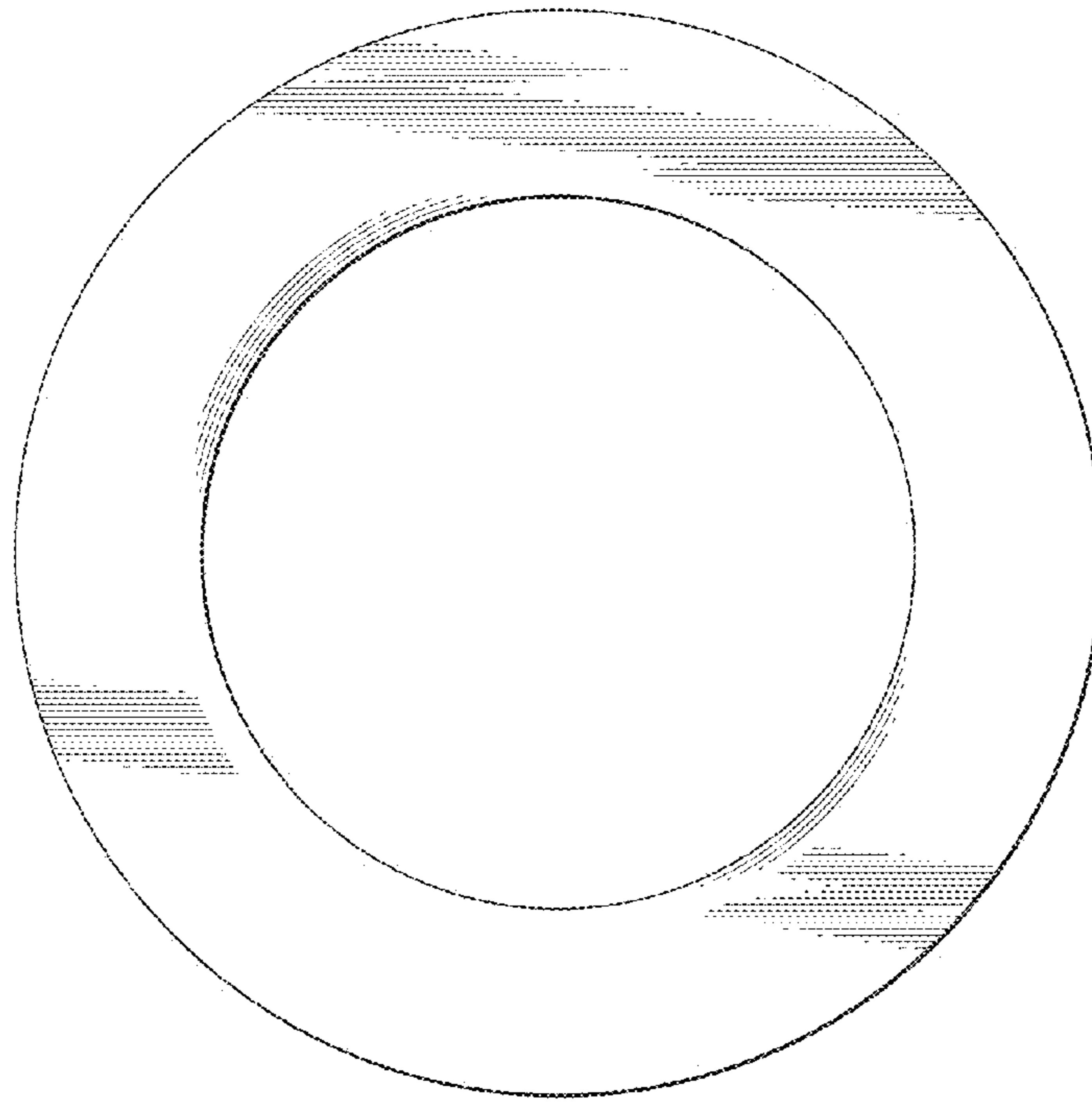


FIG.4

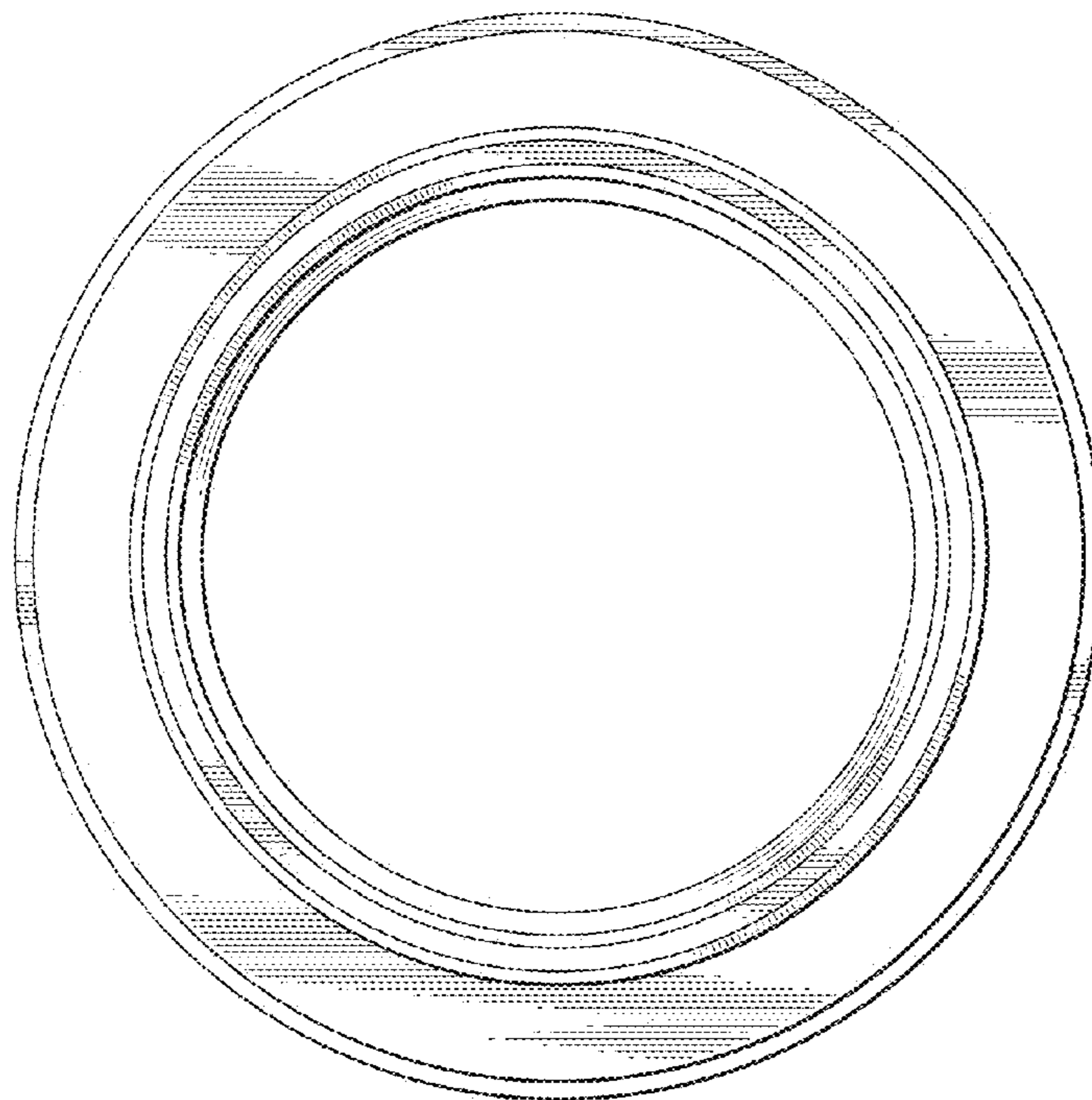


FIG.5

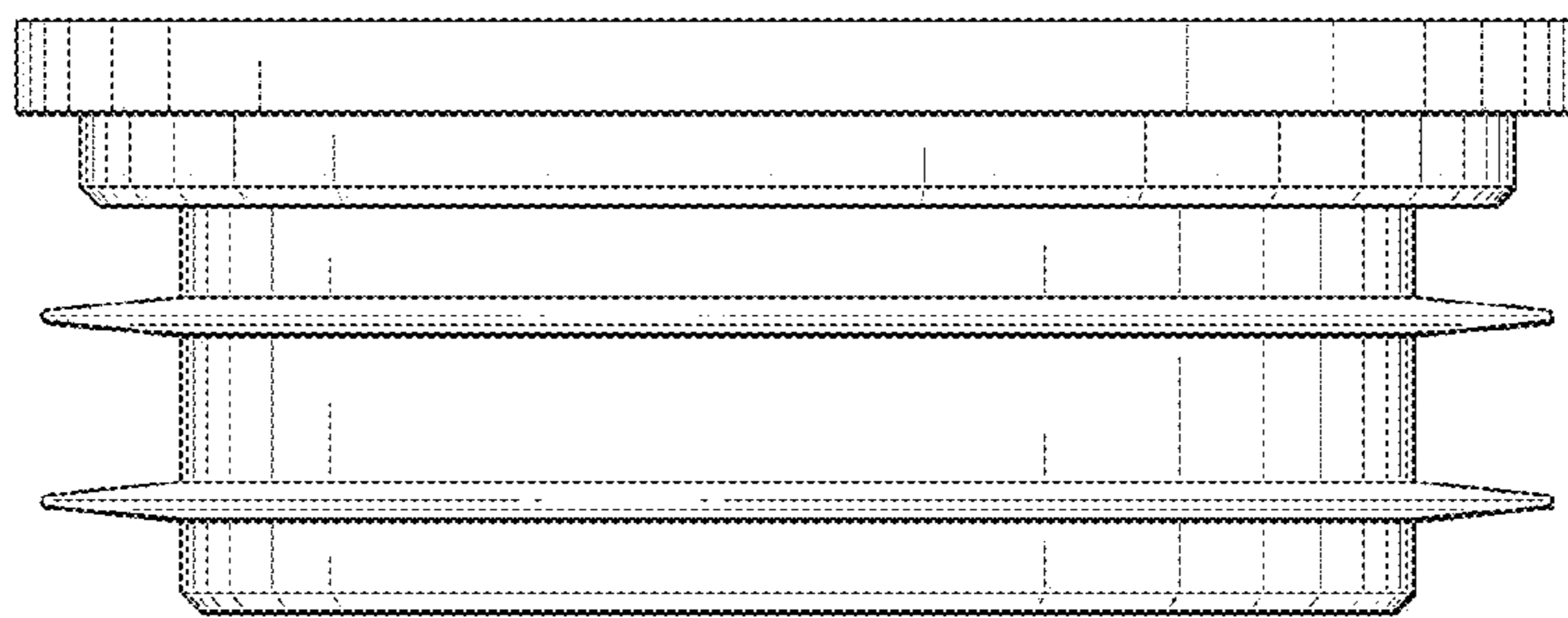


FIG.6

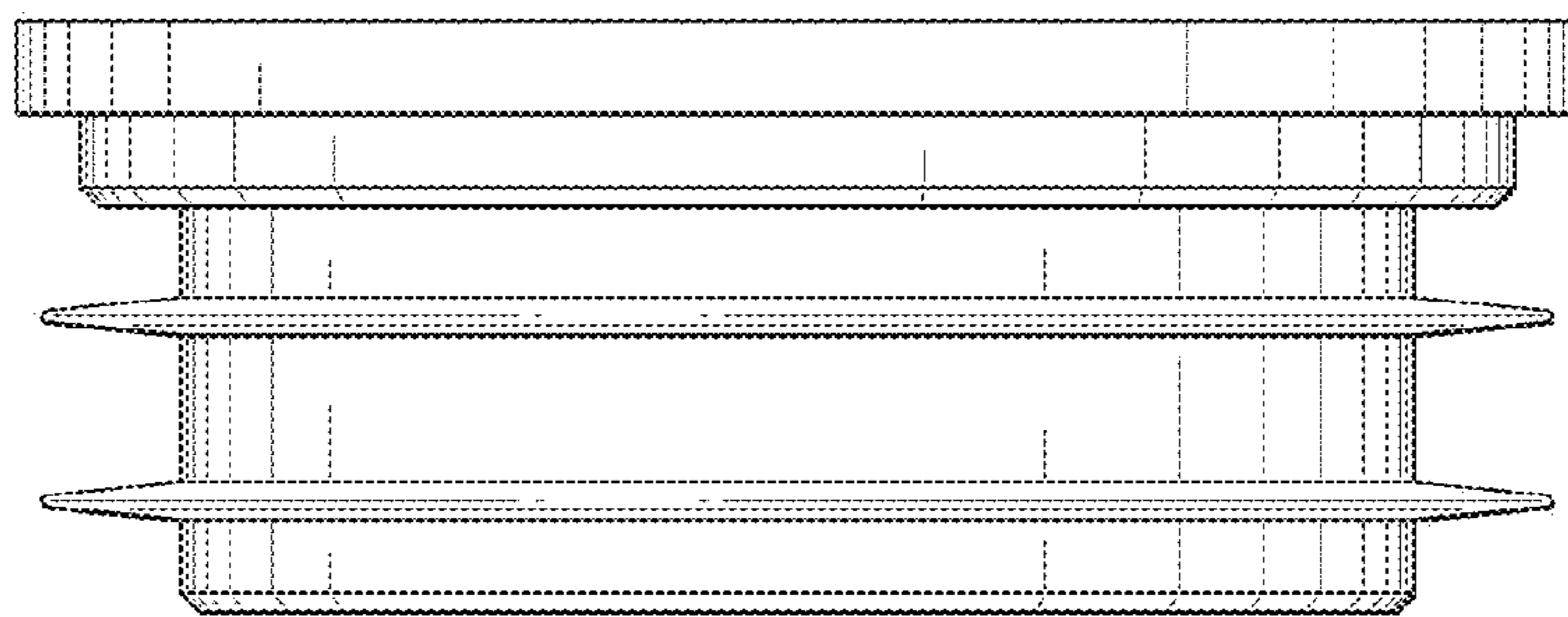


FIG.7

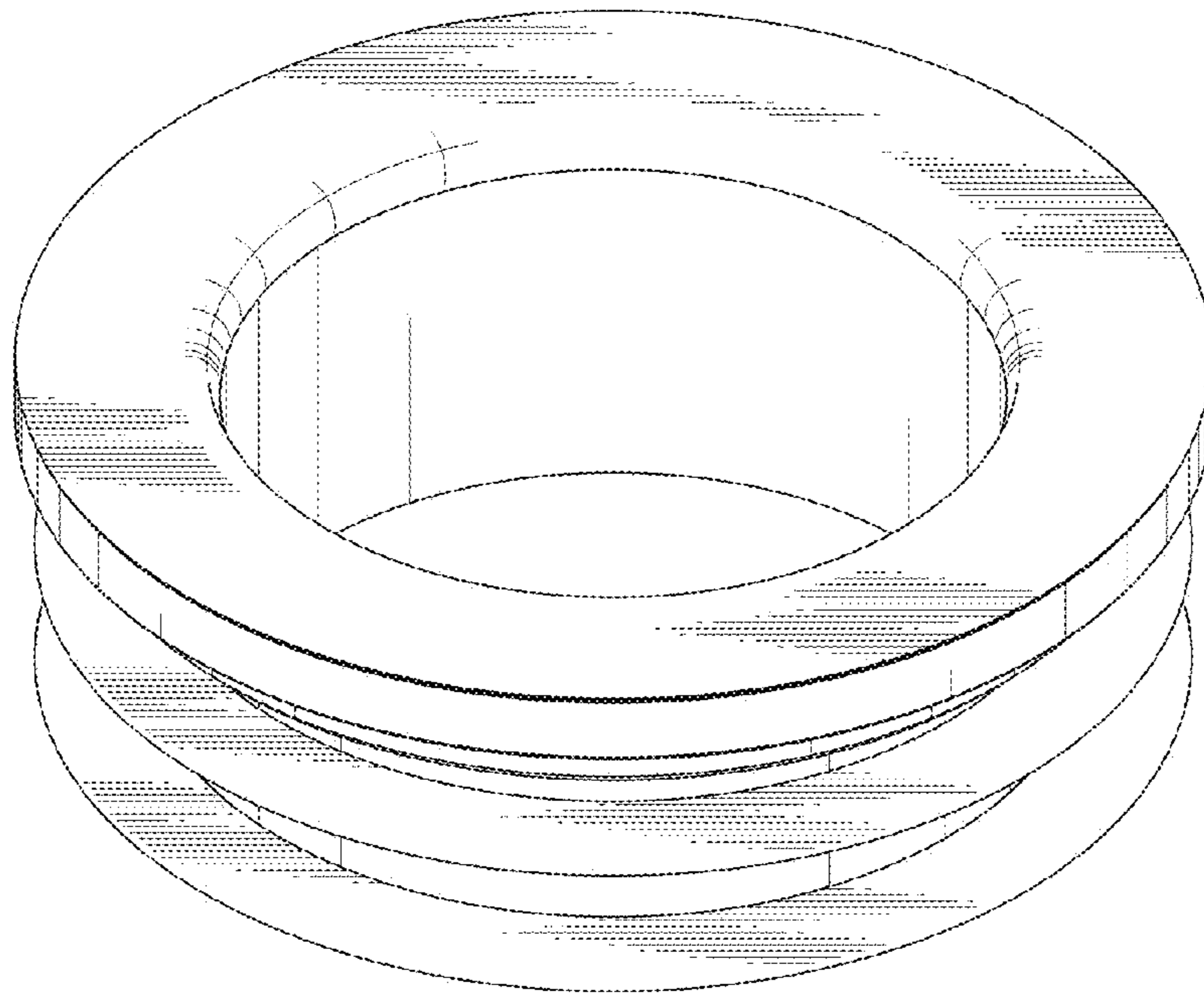


FIG.8

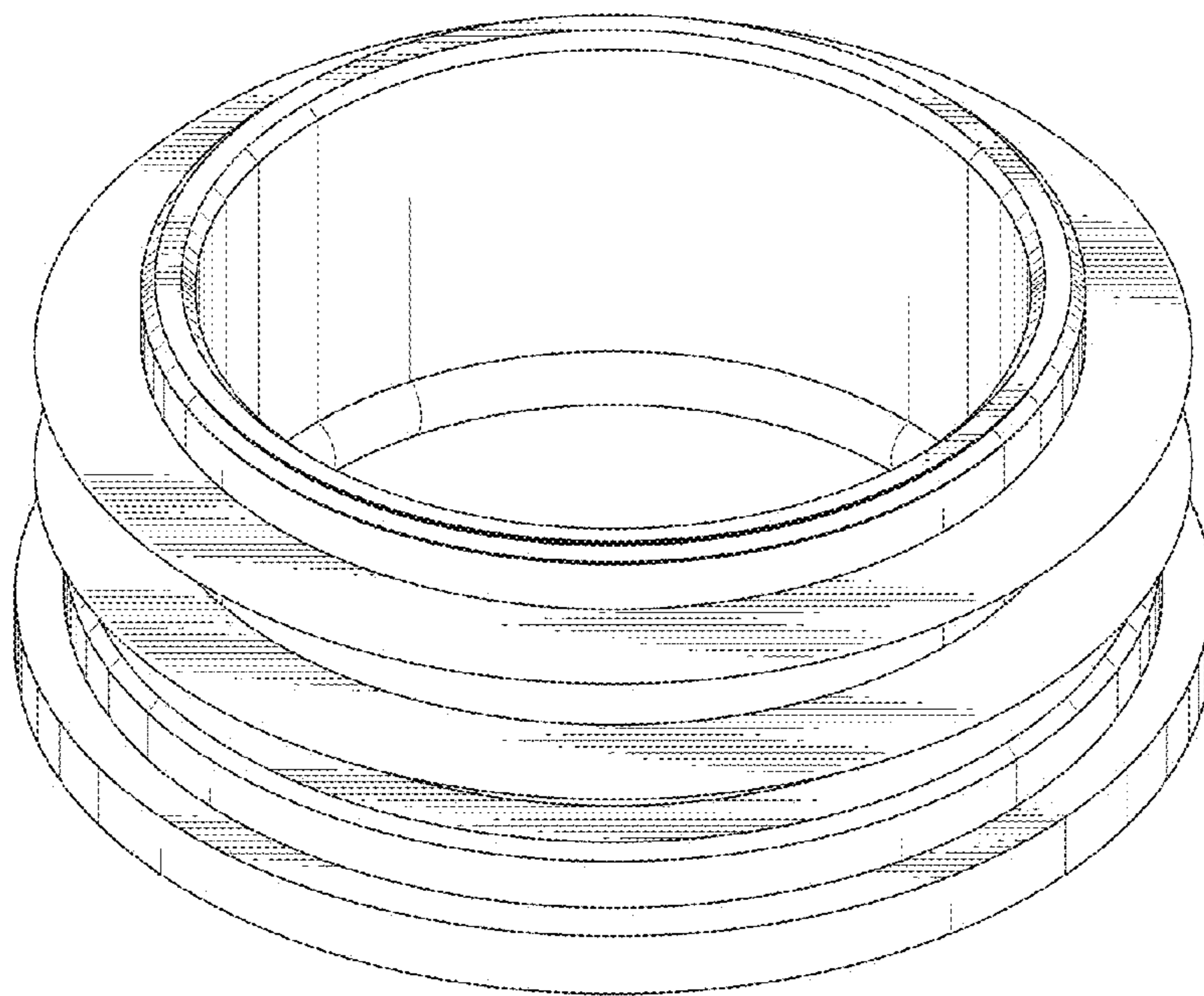


FIG. 9

