



US00D751473S

(12) **United States Design Patent**
Rupar et al.

(10) **Patent No.:** **US D751,473 S**
(45) **Date of Patent:** **** Mar. 15, 2016**

(54) **VEHICLE FRONT BUMPER COVER**

- (71) Applicant: **Ford Motor Company**, Dearborn, MI (US)
- (72) Inventors: **Ernesto Rupar**, Cologne (DE); **Stefan Lamm**, Cologne (DE)
- (73) Assignee: **Ford Motor Company**, Dearborn, MI (US)

(**) Term: **14 Years**

(21) Appl. No.: **29/516,201**

(22) Filed: **Jan. 30, 2015**

(51) **LOC (10) Cl.** **12-16**

(52) **U.S. Cl.**
USPC **D12/169**

(58) **Field of Classification Search**
USPC D12/169, 216, 90-92, 86, 171, 196,
D12/163; 293/102, 113, 115, 117, 120;
296/180.1, 180.2
CPC . B60R 19/52; B60R 2019/25; B62D 25/0845
See application file for complete search history.

(56) **References Cited**

U.S. PATENT DOCUMENTS

D634,679 S *	3/2011	Lamm	D12/169
D677,200 S *	3/2013	Hamilton	D12/169
D678,141 S *	3/2013	Behmer	D12/169
D699,165 S *	2/2014	Rupar	D12/169
D725,012 S *	3/2015	Murase	D12/169
D727,225 S *	4/2015	Rupar	D12/169

OTHER PUBLICATIONS

Jake Holmes. 2016 Ford Focus RS Spied [online], [retrieved on Jan. 23, 2015] Retrieved from the Internet <URL: http://www.automobilemag.com/features/news/1406-2016-ford-focus-rs-spied/?cx_source>.
Joseph Capparella. 2016 Ford Focus RS Drifts around the Track in Teaser Video [online], [retrieved on Jan. 23, 2015] Retrieved from the Internet <URL: <http://www.automobilemag.com/features/news/1501-2016-ford-focus-rs-drifts-around-the-track-in-teaser-video>>.

* cited by examiner

Primary Examiner — Melody N Brown

(74) *Attorney, Agent, or Firm* — Damian Porcari

(57) **CLAIM**

The ornamental design for a vehicle front bumper cover, as shown and described.

DESCRIPTION

FIG. 1 is a top left perspective view of a vehicle front bumper cover;
FIG. 2 is a top right perspective view thereof;
FIG. 3 is a top rear perspective view thereof;
FIG. 4 is a front elevational view thereof;
FIG. 5 is a rear elevational view thereof;
FIG. 6 is a left side elevational view thereof;
FIG. 7 is a right side elevational view thereof;
FIG. 8 is a top plan view thereof; and,
FIG. 9 is a bottom plan view thereof.

1 Claim, 9 Drawing Sheets

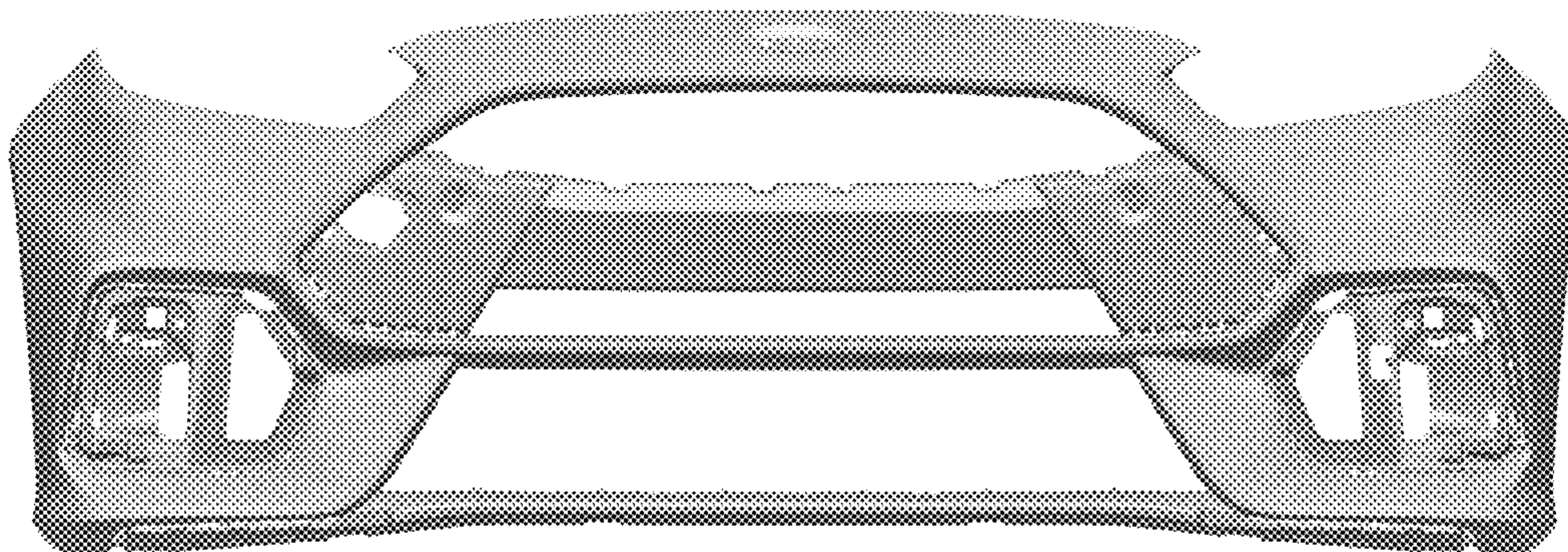




Figure 1



Figure 2

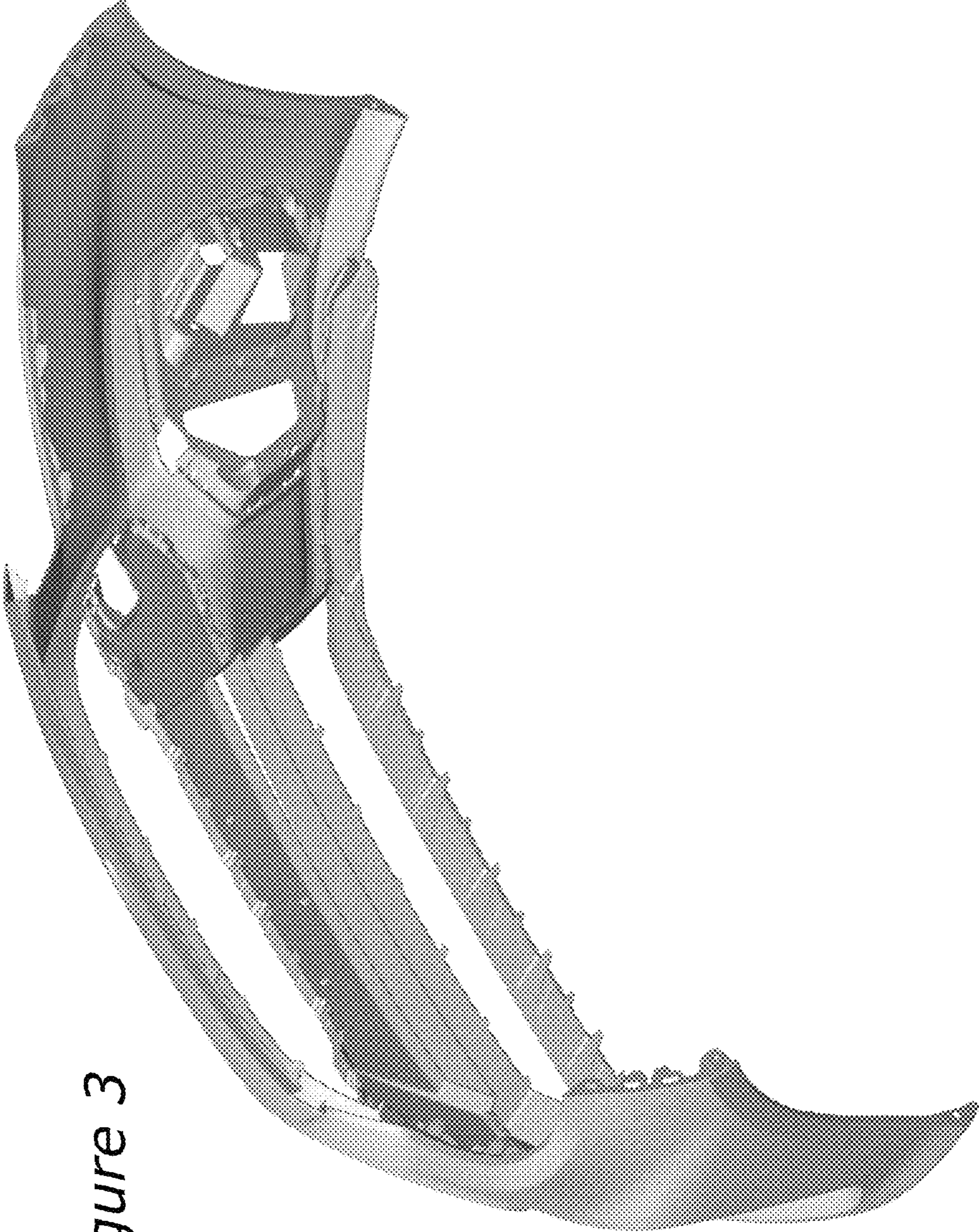


Figure 3

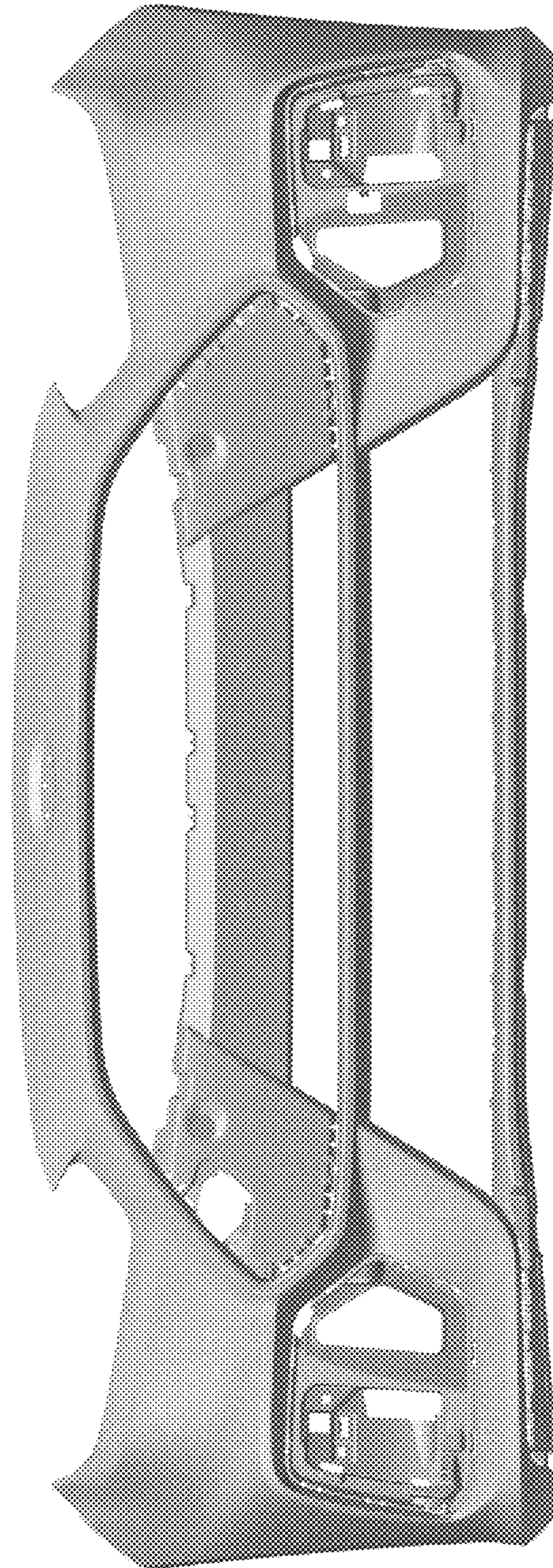


Figure 4

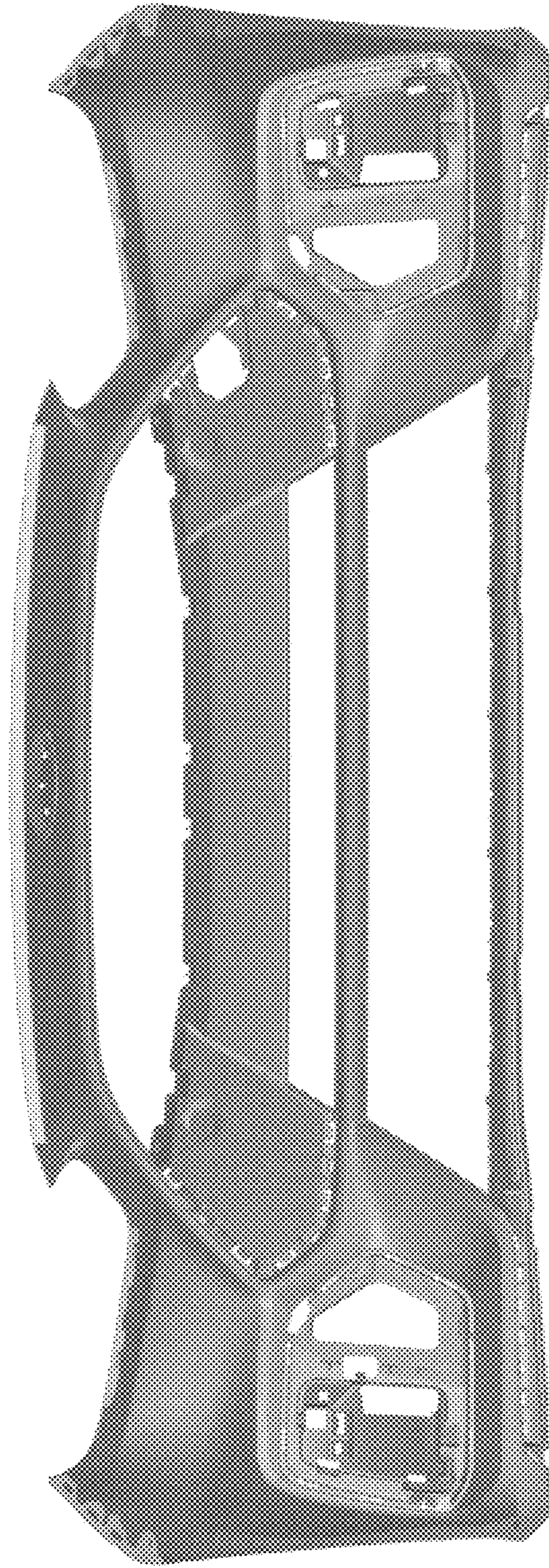


Figure 5

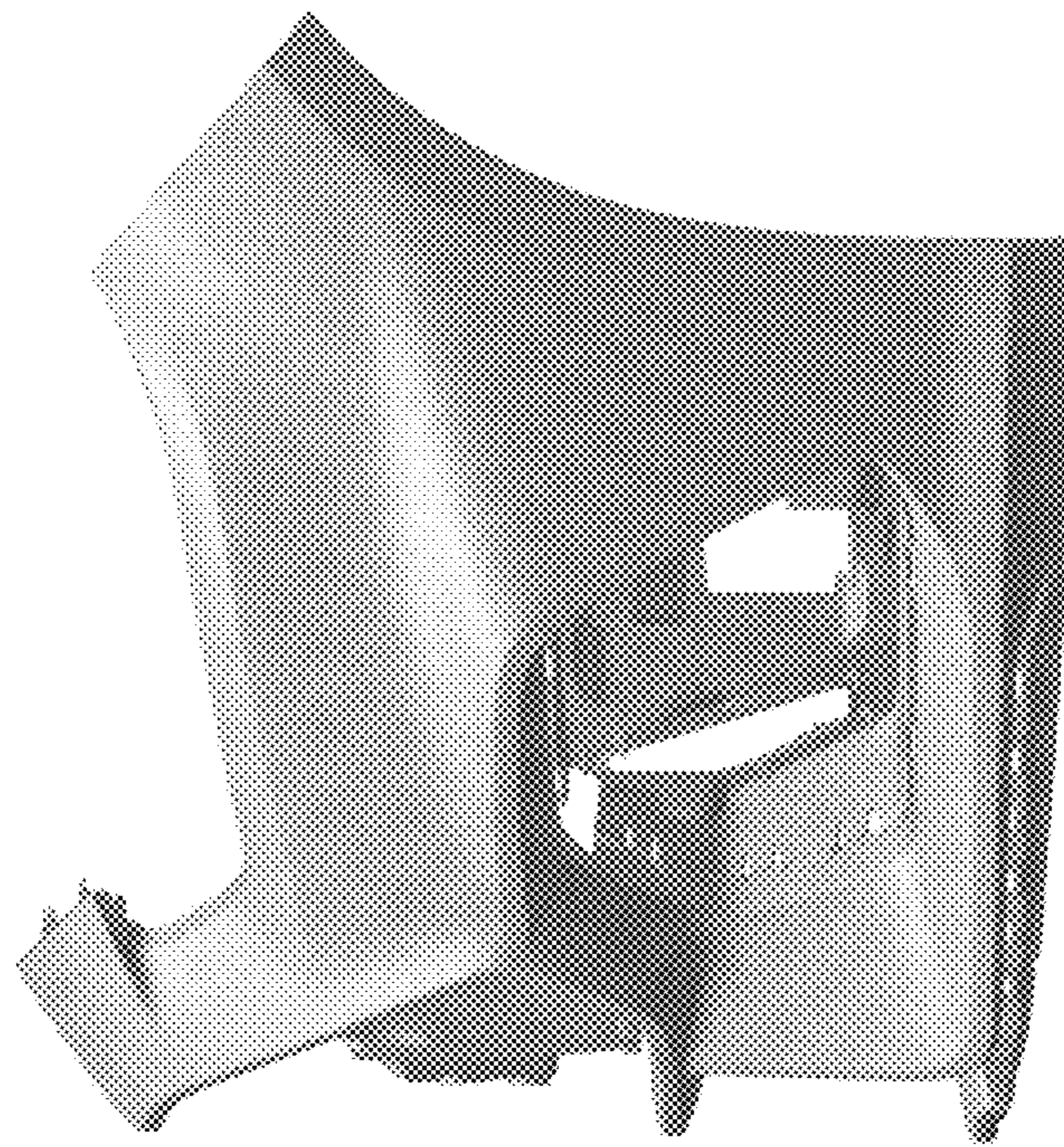


Figure 6

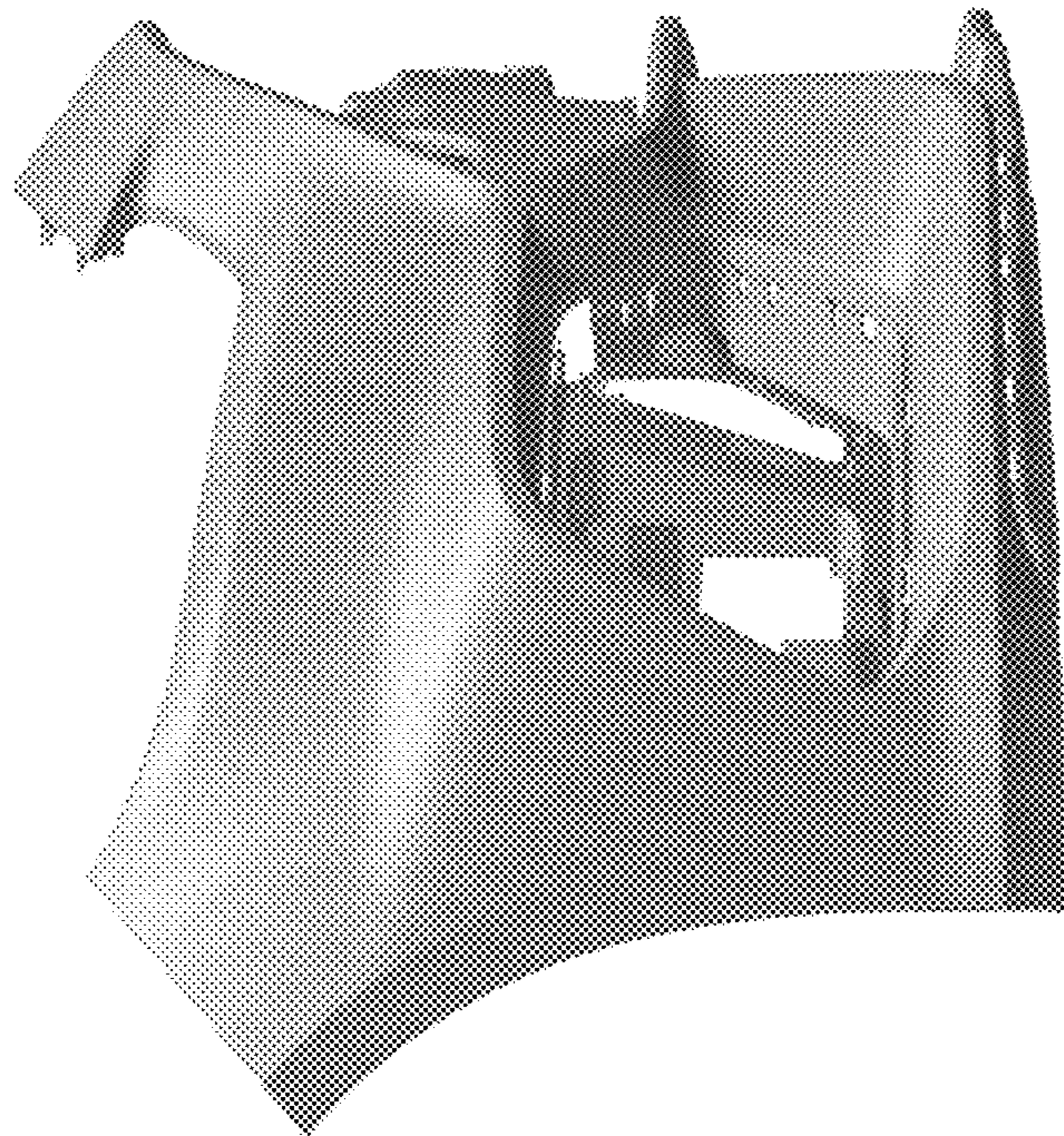


Figure 7

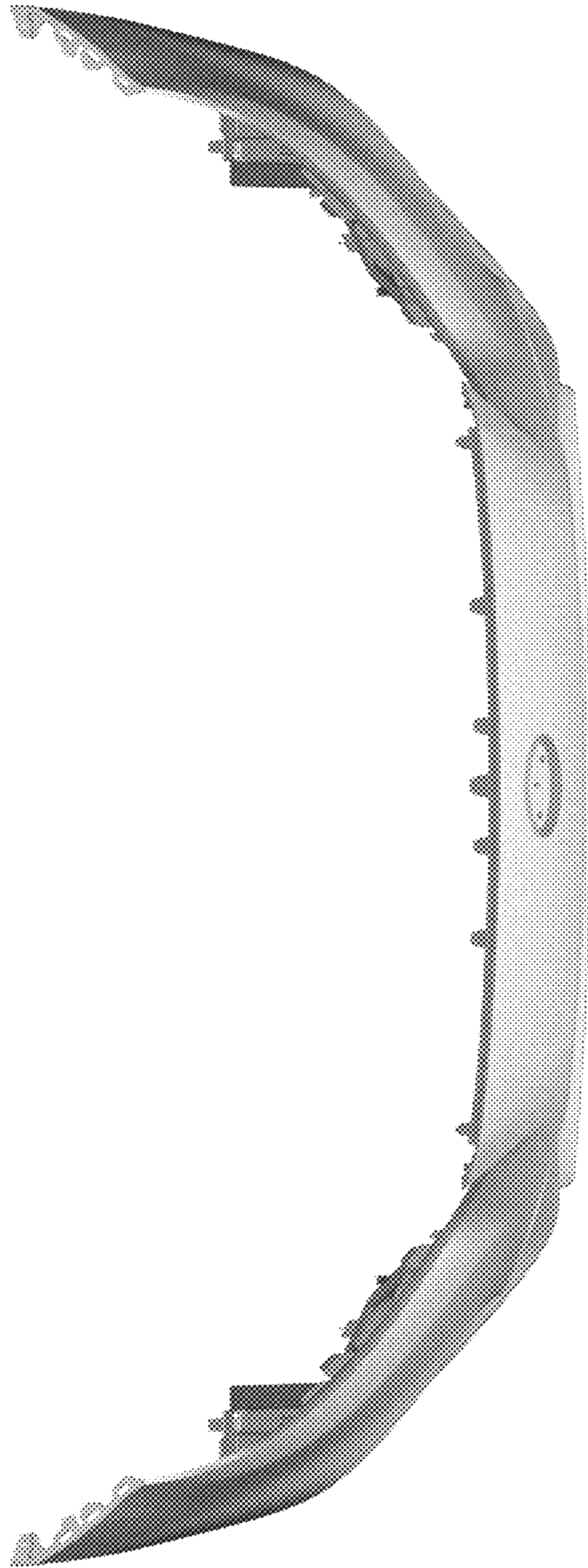


Figure 8

Figure 9

