



US00D751472S

(12) **United States Design Patent**
Pruitt

(10) **Patent No.:** **US D751,472 S**
(45) **Date of Patent:** **** Mar. 15, 2016**

- (54) **BOLT-ON RADIATOR**
- (71) Applicant: **Randall Industries, Inc.**, Romulus, MI (US)
- (72) Inventor: **John R. Pruitt**, Riverview, MI (US)
- (73) Assignee: **Randall Industries, Inc.**, Romulus, MI (US)
- (**) Term: **15 Years**
- (21) Appl. No.: **29/538,786**
- (22) Filed: **Sep. 8, 2015**
- (51) **LOC (10) Cl.** **12-16**
- (52) **U.S. Cl.**
USPC **D12/166**
- (58) **Field of Classification Search**
USPC D12/164, 165, 166; 165/67, 140, 148, 165/149; 180/68.4; 228/183
CPC F28F 9/001; F28D 1/05366; F28D 1/0435
See application file for complete search history.

- 4,756,361 A 7/1988 Lesage
 - 4,776,417 A 10/1988 Takeuchi et al.
 - 4,926,934 A 5/1990 Ivy
 - 5,183,103 A * 2/1993 Tokutake F28F 9/002
165/149
 - 5,360,059 A 11/1994 Olson
- (Continued)

FOREIGN PATENT DOCUMENTS

EP 1707421 A1 10/2006

OTHER PUBLICATIONS

Mishimoto Automotive. "2008-2010 Ford 6.4L Powerstroke Performance Radiator by Mishimoto . . ." YouTube., Sep. 3, 2013 [online], [retrieved on Sep. 21, 2014]. Retrieved from the Internet <URL: http://www.youtube.com/watch?v=6AyaKA_i0bE>.*

(Continued)

Primary Examiner — Philip S Hyder
Assistant Examiner — Darlington Ly
(74) *Attorney, Agent, or Firm* — Bill C. Panagos; J. Scott Martin; Butzel Long, P.C.

(56) **References Cited**

U.S. PATENT DOCUMENTS

- 294,707 A 3/1884 Wentworth
- 517,193 A 3/1894 Ratsey
- 1,344,351 A 6/1920 Norelius et al.
- 2,065,515 A 12/1936 Cornell, Jr.
- 3,123,170 A 3/1964 Bryant
- 3,165,151 A 1/1965 Astrup et al.
- 3,982,587 A 9/1976 Tramontini
- 4,137,982 A 2/1979 Crews et al.
- 4,140,177 A 2/1979 Ivie, Sr.
- 4,169,501 A 10/1979 Takeuchi et al.
- D263,461 S * 3/1982 Young D12/166
- 4,382,464 A 5/1983 Melnyk
- 4,420,058 A 12/1983 Sato et al.
- 4,540,044 A 9/1985 Lenz
- 4,619,313 A 10/1986 Rhodes et al.
- 4,730,668 A 3/1988 LeMaster

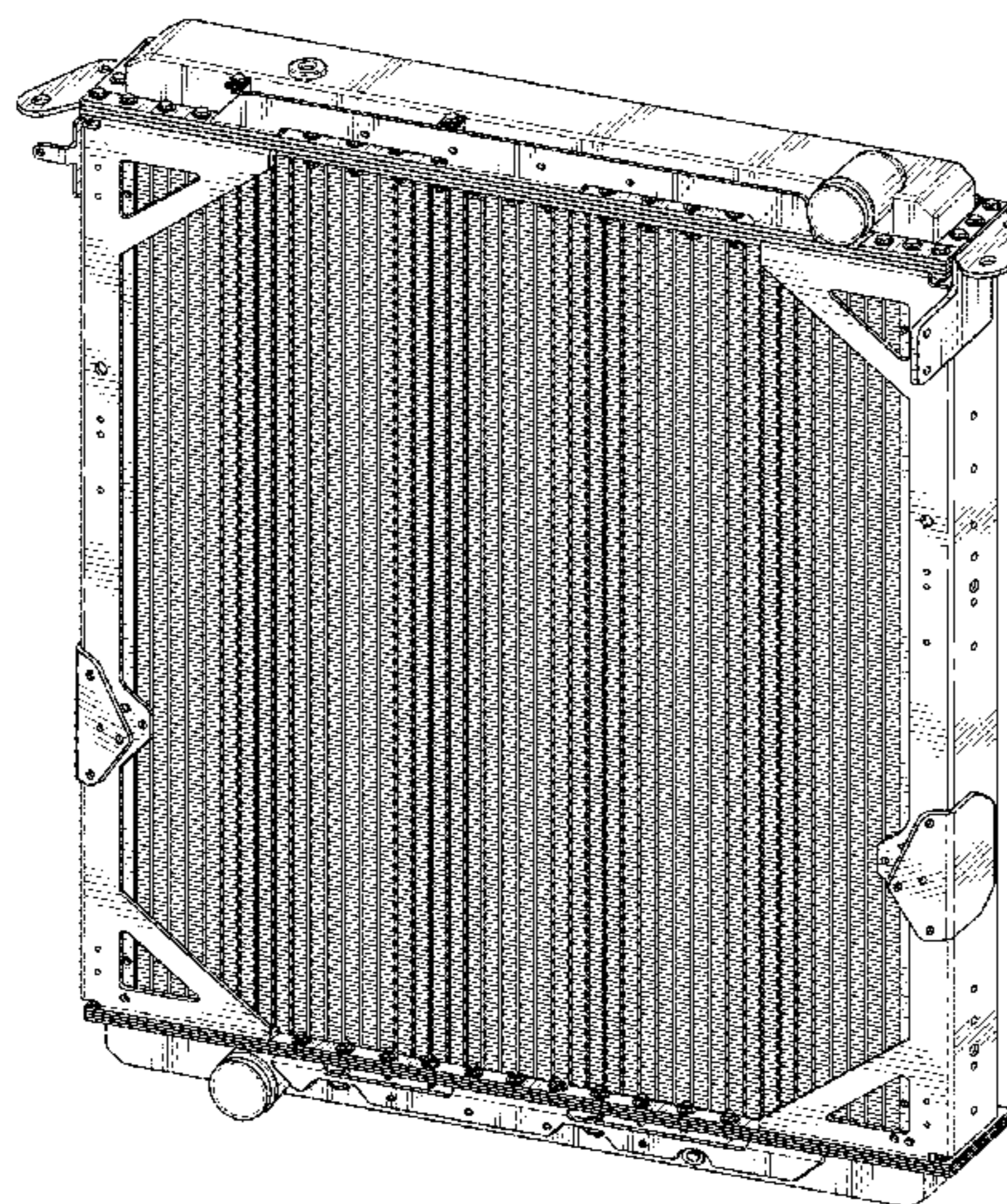
(57) **CLAIM**

The ornamental design for a bolt-on radiator, as shown and described.

DESCRIPTION

FIG. 1 is a front perspective view of a bolt-on radiator showing our new design;
FIG. 2 is a back perspective view thereof;
FIG. 3 is a front view thereof;
FIG. 4 is a back view thereof;
FIG. 5 is a left side elevation view thereof;
FIG. 6 is a right side elevation view thereof;
FIG. 7 is a top view thereof; and,
FIG. 8 is a bottom view thereof.

1 Claim, 6 Drawing Sheets



(56)

References Cited

U.S. PATENT DOCUMENTS

5,613,551 A 3/1997 Rhodes
 6,129,142 A 10/2000 Beldam
 6,675,921 B2 1/2004 Brown
 6,899,167 B2* 5/2005 Martins F28D 1/0435
 165/140
 7,320,360 B2* 1/2008 Leitch F28F 9/002
 165/149
 7,441,620 B2 10/2008 Riniker et al.
 7,500,514 B2* 3/2009 Heine F01P 11/08
 165/140
 7,503,380 B2 3/2009 Jakob
 7,637,309 B2* 12/2009 Contet F28D 1/0435
 165/153
 7,694,724 B2 4/2010 Kolb et al.
 D619,511 S* 7/2010 Sullivan D12/166
 7,942,223 B2 5/2011 Obayashi et al.
 8,061,410 B2* 11/2011 Machanek F28D 1/0443
 165/140
 8,376,073 B2 2/2013 Nantais et al.
 D686,543 S 7/2013 Weil
 8,646,554 B2 2/2014 Takahashi et al.

D703,126 S* 4/2014 Tafe D12/223
 D717,218 S* 11/2014 Tafe D12/166
 D717,702 S* 11/2014 McCardle D12/166
 9,090,159 B2 7/2015 Pruitt
 2002/0056541 A1* 5/2002 Kokubunji B60K 11/04
 165/67
 2005/0029028 A1 2/2005 Steinmacher
 2006/0213640 A1 9/2006 Matsuoka et al.
 2008/0164015 A1 7/2008 Papapanu
 2010/0059214 A1* 3/2010 Xu F28D 1/05366
 165/148
 2010/0163324 A1 7/2010 Jyoutaki et al.
 2011/0155358 A1 6/2011 Galahroudi et al.

OTHER PUBLICATIONS

“2011-2014 Ford 6.7L Powerstroke Performance Aluminum Radiator, Part 2: Prototype Design . . .” Mishimoto Engineering., Aug. 29, 2014 [online], [retrieved on Sep. 21, 2014]. Retrieved from the Internet <URL: <http://engineering.mishimoto.com/2014/08/2011-2014-ford-6-7l-powerstroke-performance-aluminum-radiator-part-2-prototype-design-evaluation/>>.*

* cited by examiner

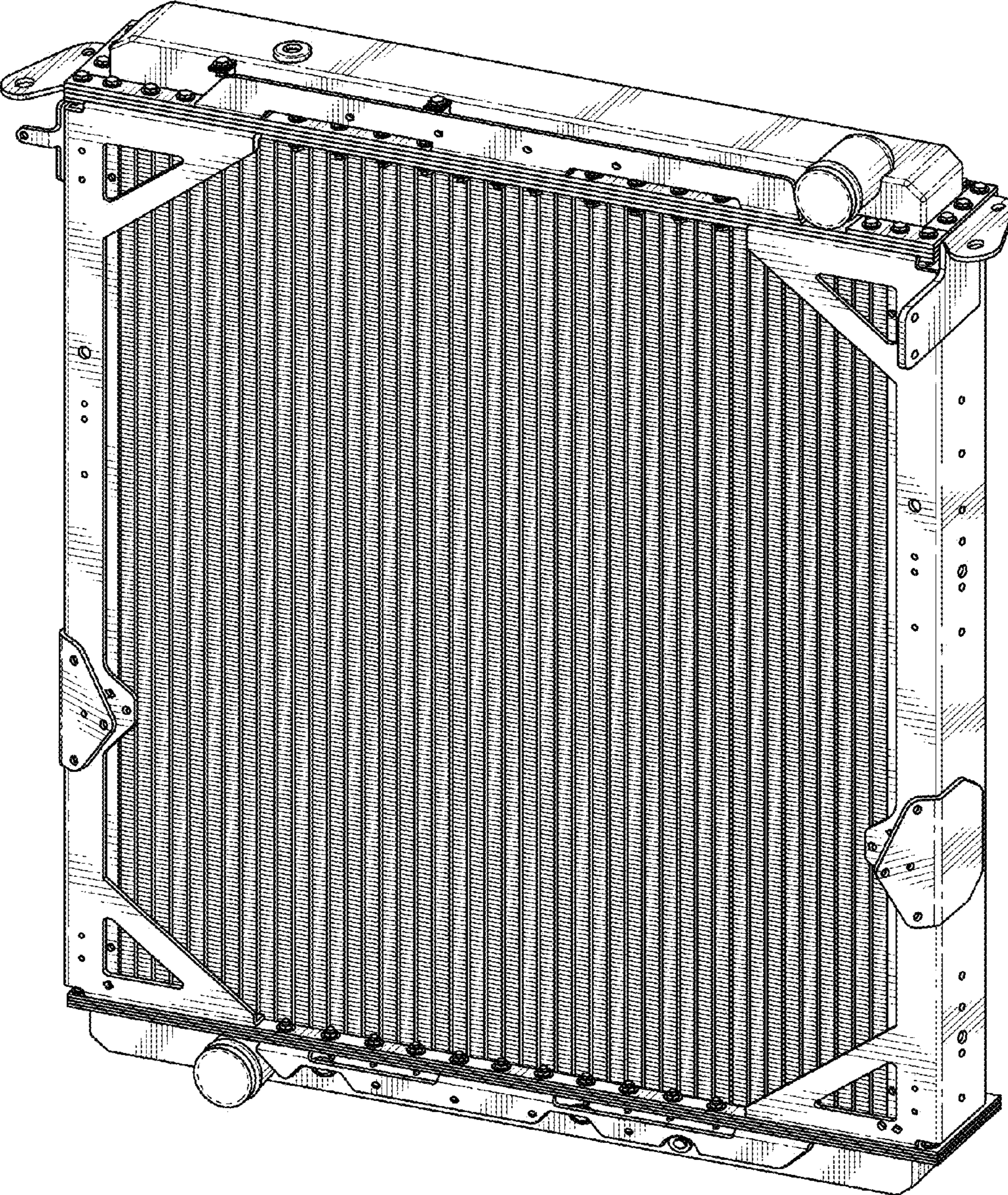


FIG. 1

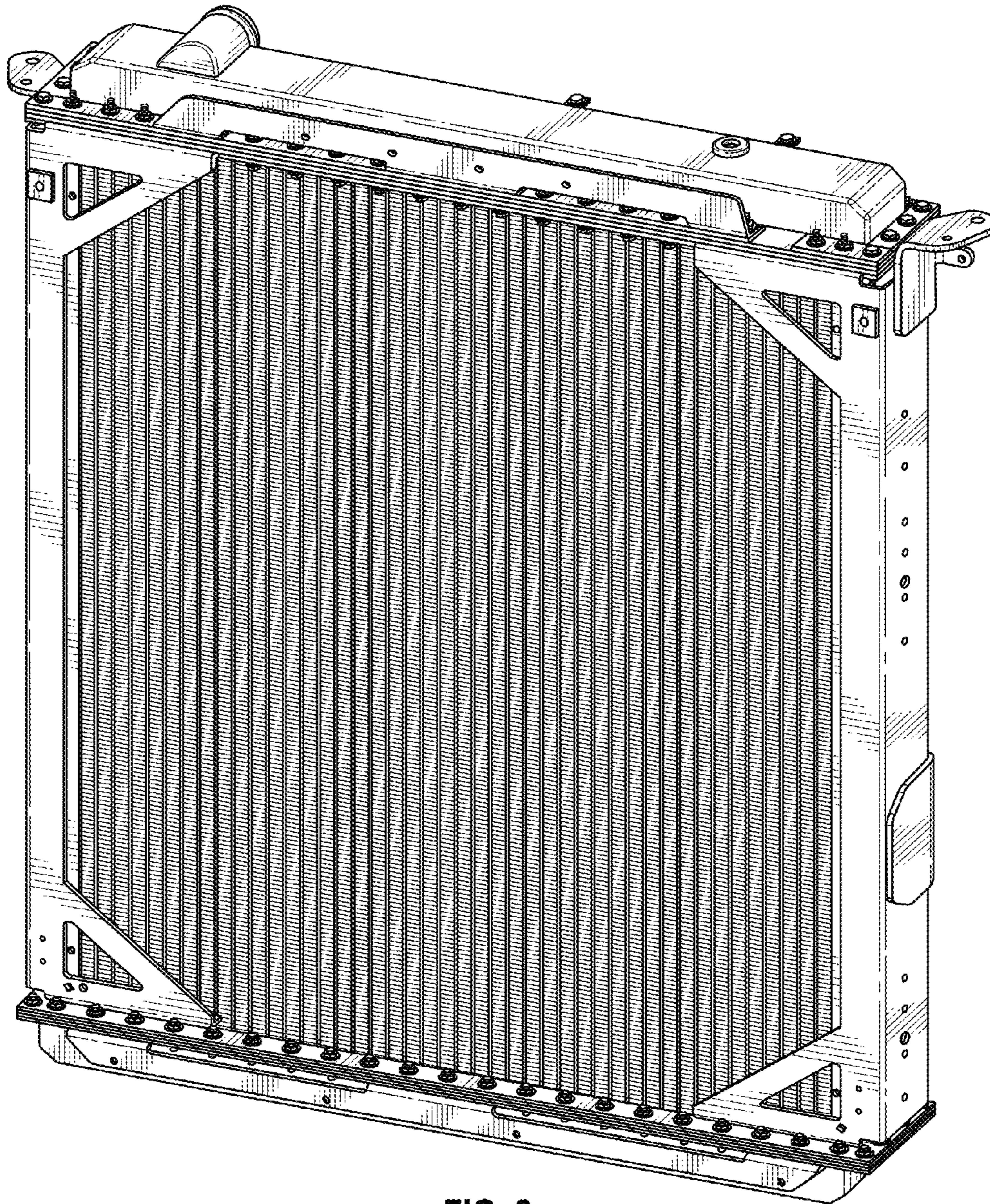


FIG. 2

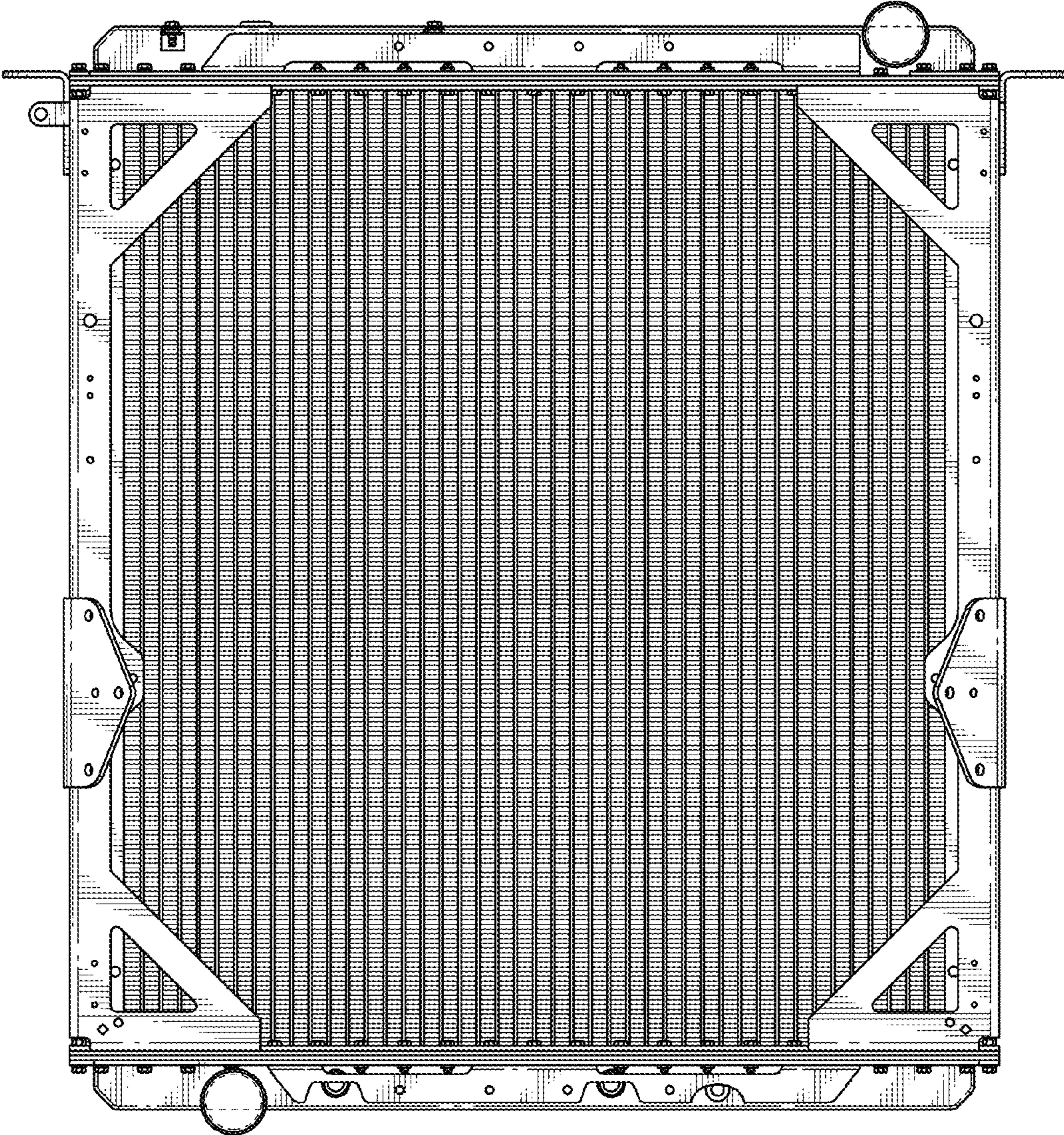


FIG. 3

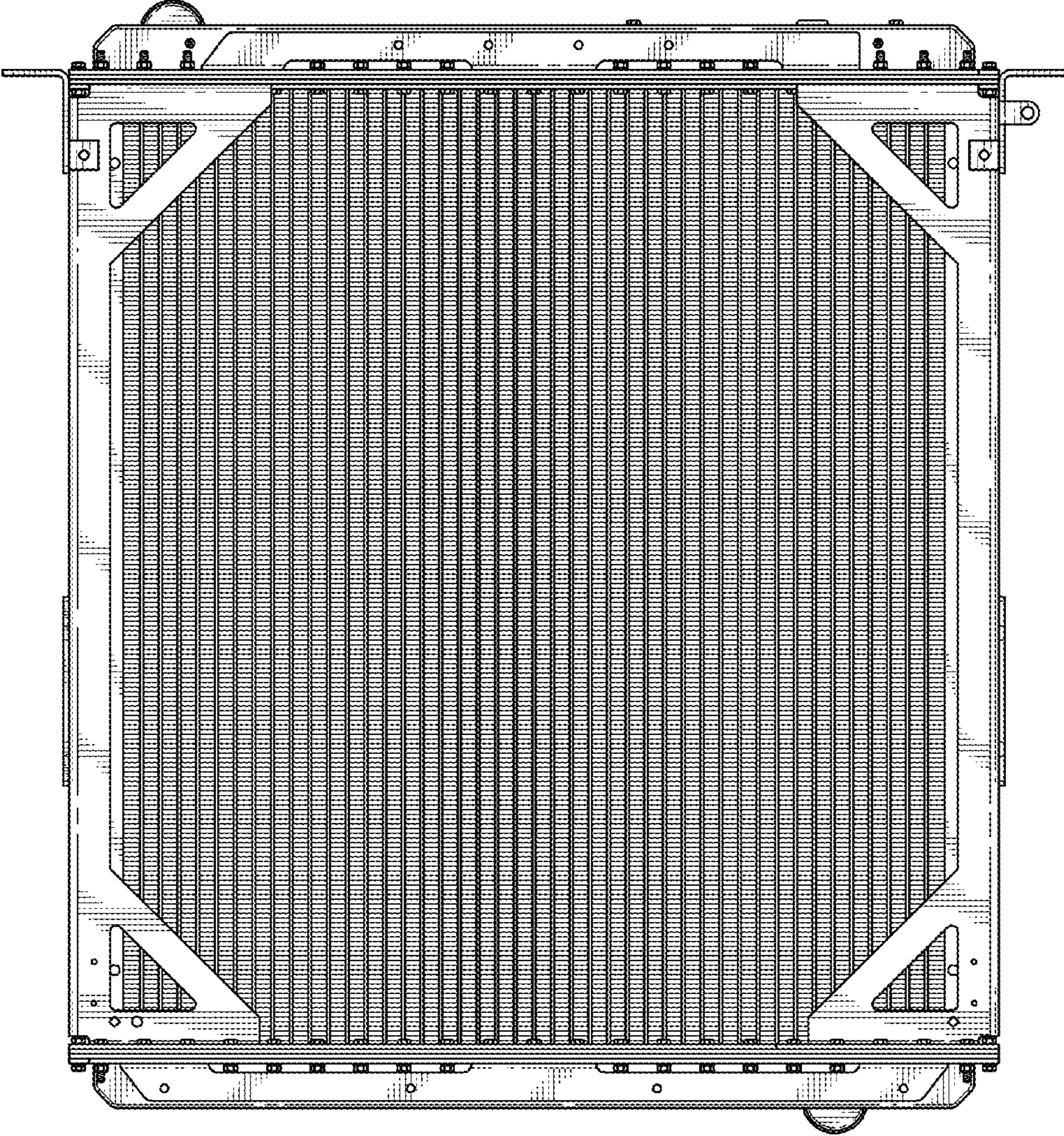


FIG. 4

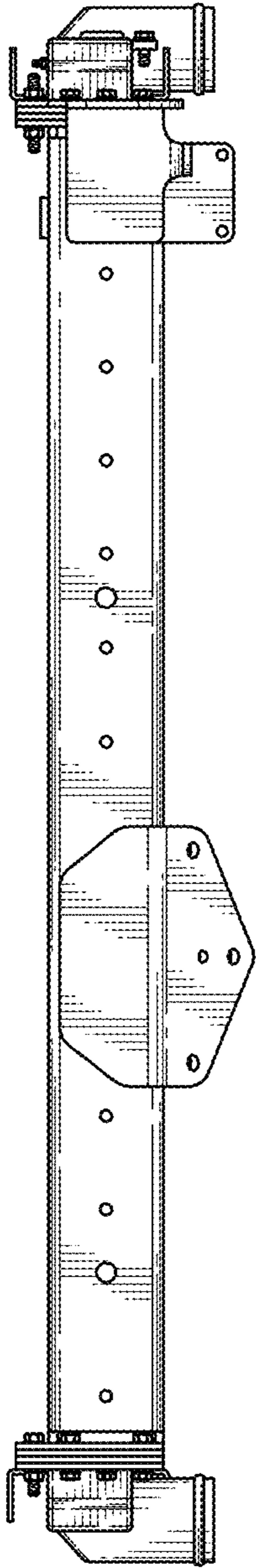


FIG. 5

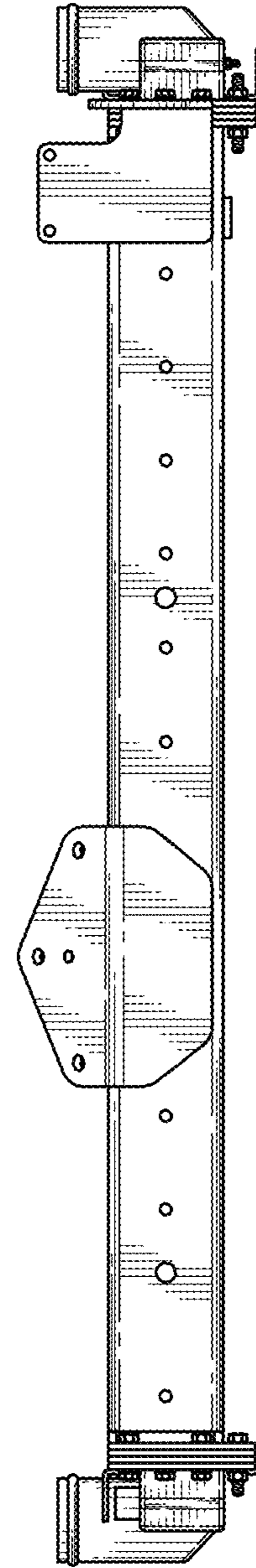


FIG. 6

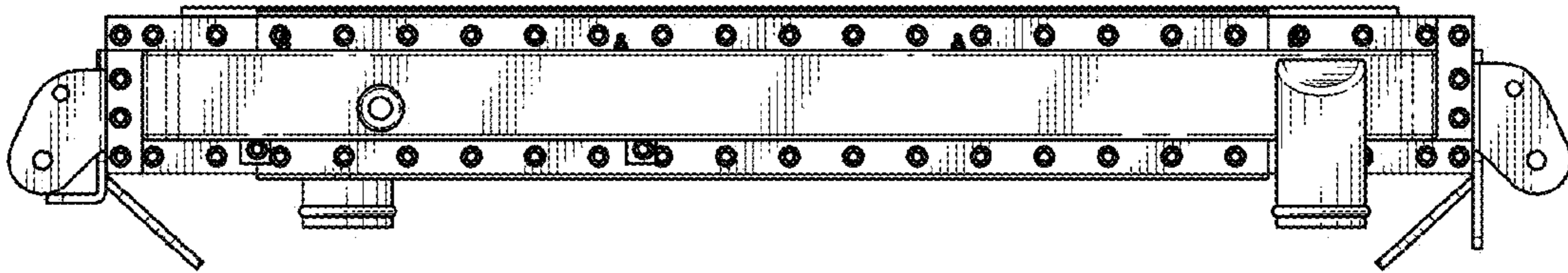


FIG. 7

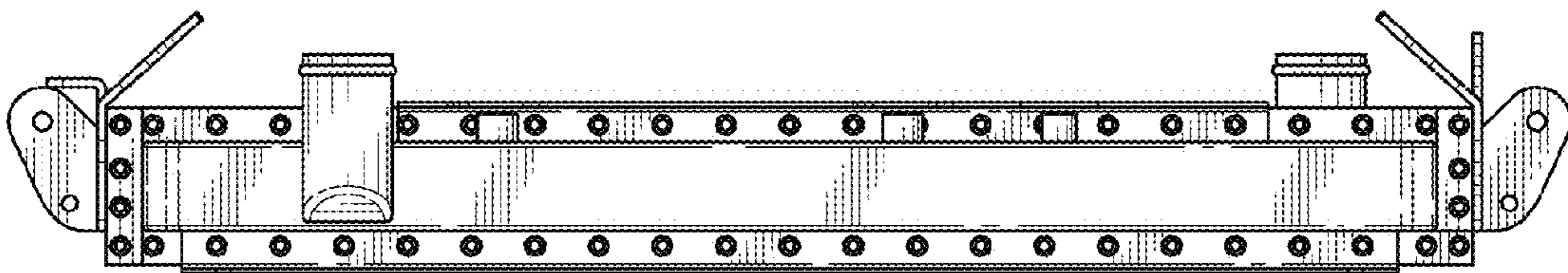


FIG. 8