



US00D751471S

(12) **United States Design Patent**  
**Futschik et al.**

(10) **Patent No.:** **US D751,471 S**  
(45) **Date of Patent:** **\*\* Mar. 15, 2016**

(54) **REAR PORTION OF A VEHICLE, TOY,  
AND/OR REPLICAS THEREOF**

(71) Applicant: **Daimler AG**, Stuttgart (DE)  
(72) Inventors: **Hans-Dieter Futschik**, Gechingen (DE);  
**Carsten Guenther**, Boeblingen (DE);  
**Robert Lesnik**, Leonberg (DE); **Gorden  
Wagener**, Gaeufelden (DE)  
(73) Assignee: **Daimler AG**, Stuttgart (DE)

(\*\*) Term: **14 Years**  
(21) Appl. No.: **29/507,831**  
(22) Filed: **Oct. 31, 2014**

(30) **Foreign Application Priority Data**  
May 1, 2014 (WO) ..... DM/083 557  
(51) **LOC (10) Cl.** ..... **12-16**  
(52) **U.S. Cl.**  
USPC ..... **D12/164**  
(58) **Field of Classification Search**  
USPC ..... D12/86, 90-92, 164; D21/421, 433,  
D21/434; 296/181.1, 181.5  
CPC ..... B62D 35/00; B62D 25/00; B62D 25/06;  
B62D 25/08; B62D 33/00

See application file for complete search history.

(56) **References Cited**  
U.S. PATENT DOCUMENTS

D615,464 S *	5/2010	Frei	.....	D12/164
D617,682 S *	6/2010	Frei	.....	D12/91
D643,348 S *	8/2011	Burki	.....	D12/164
D670,606 S *	11/2012	Frenzel	.....	D12/91
D670,621 S	11/2012	Frenzel et al.		
D671,033 S *	11/2012	Fetherston	.....	D12/91
D697,455 S *	1/2014	Kubota	.....	D12/164
D697,457 S *	1/2014	Kubota	.....	D12/164
D699,163 S *	2/2014	Janssen	.....	D12/164
D704,602 S *	5/2014	Frenzel	.....	D12/164

\* cited by examiner

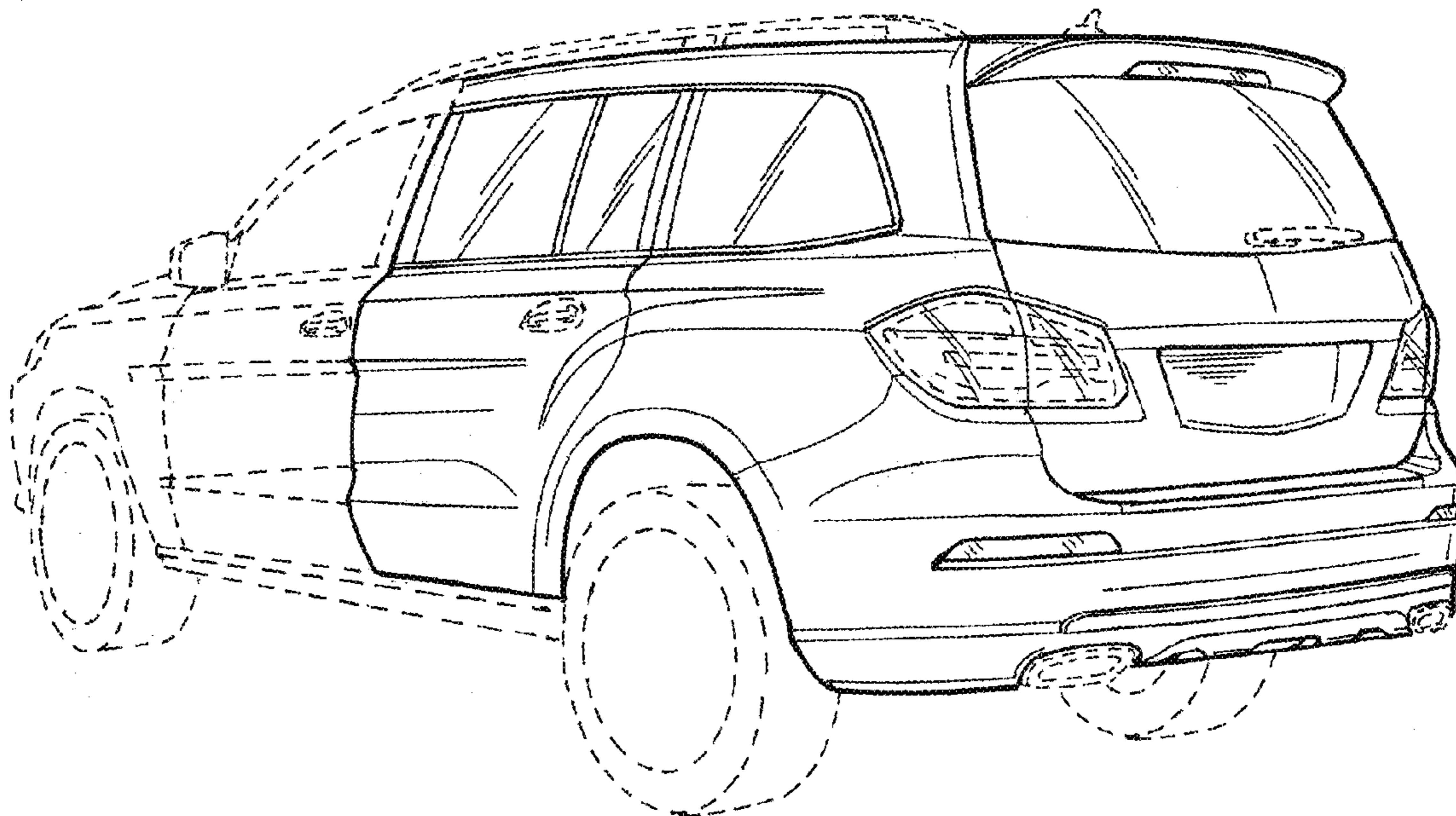
*Primary Examiner* — Melody N Brown  
(74) *Attorney, Agent, or Firm* — Crowell & Moring LLP

(57) **CLAIM**  
The ornamental design for a rear portion of a vehicle, toy,  
and/or replicas thereof, as shown and described.

**DESCRIPTION**

This application contains subject matter related to the follow-  
ing co-pending U.S. design patent applications:  
Application Ser. No. 29/507,829, filed herewith and entitled  
“Vehicle, Toy, and/or Replicas Thereof”; and  
Application Ser. No. 29/507,835, filed herewith and entitled  
“Taillight for a Vehicle”.  
FIG. 1 is a left, front perspective view of a rear portion of a  
vehicle, toy, and/or replicas thereof according to the design;  
FIG. 2 is a left side view thereof;  
FIG. 3 is a right side view thereof;  
FIG. 4 is a front view thereof; and,  
FIG. 5 is a top view thereof.  
The broken lines are for illustrative purposes only and form  
no part of the claimed design.

**1 Claim, 5 Drawing Sheets**



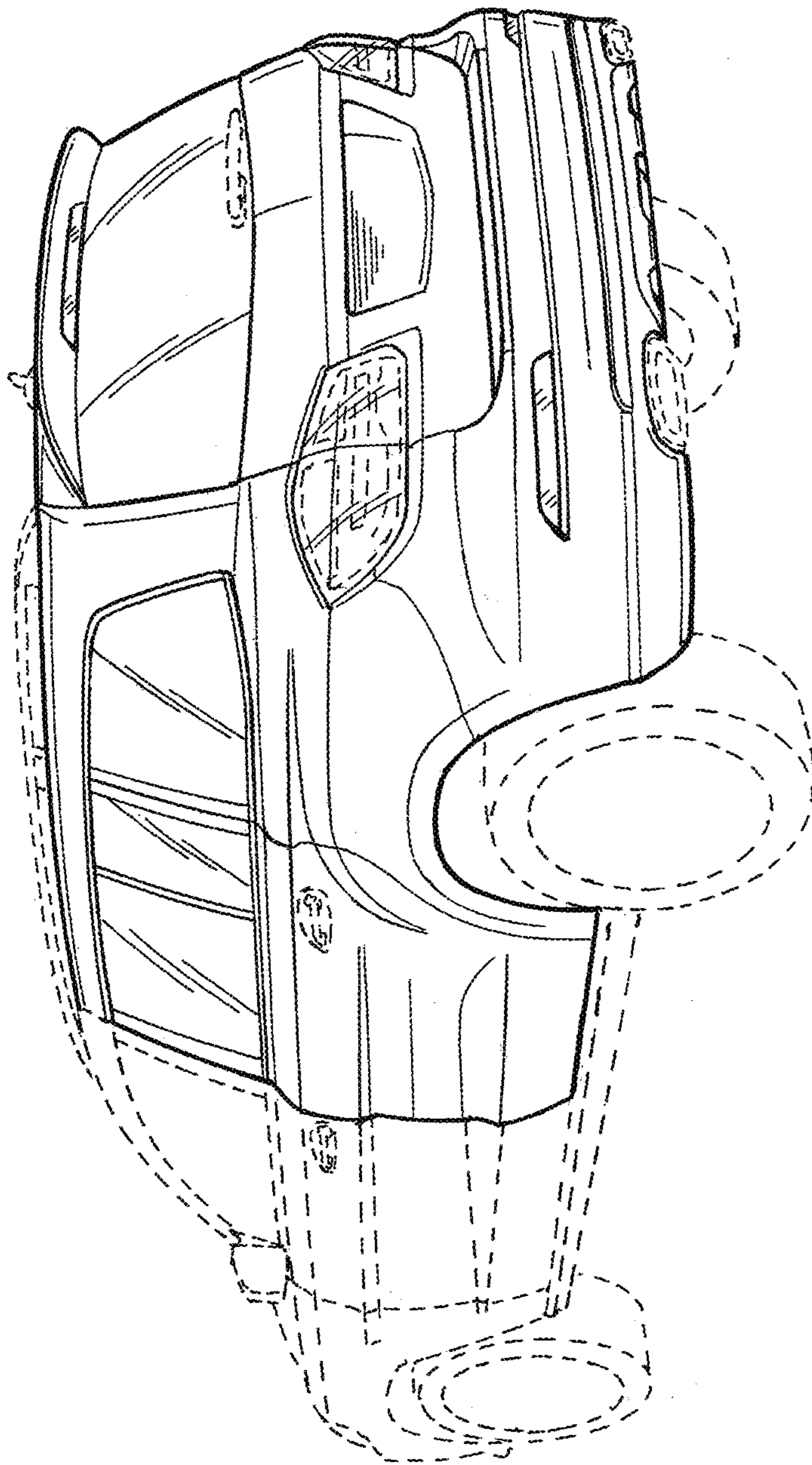


FIG. 1

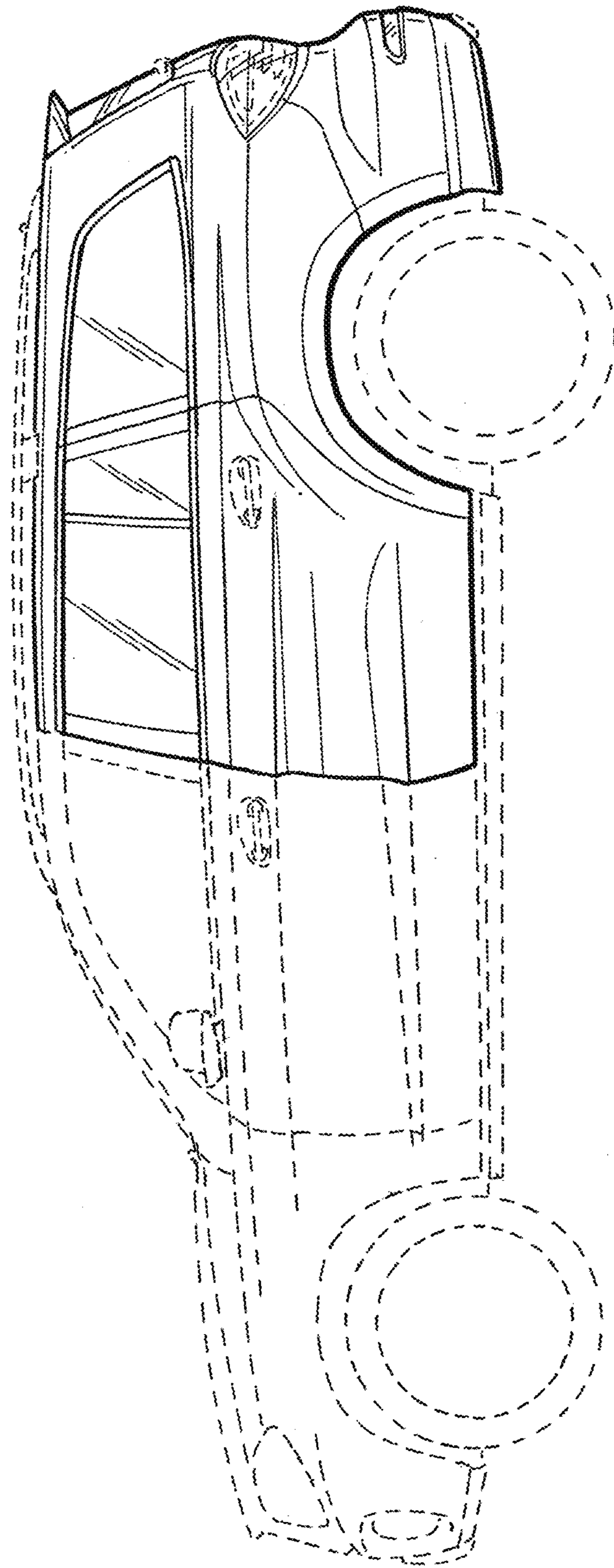


FIG. 2

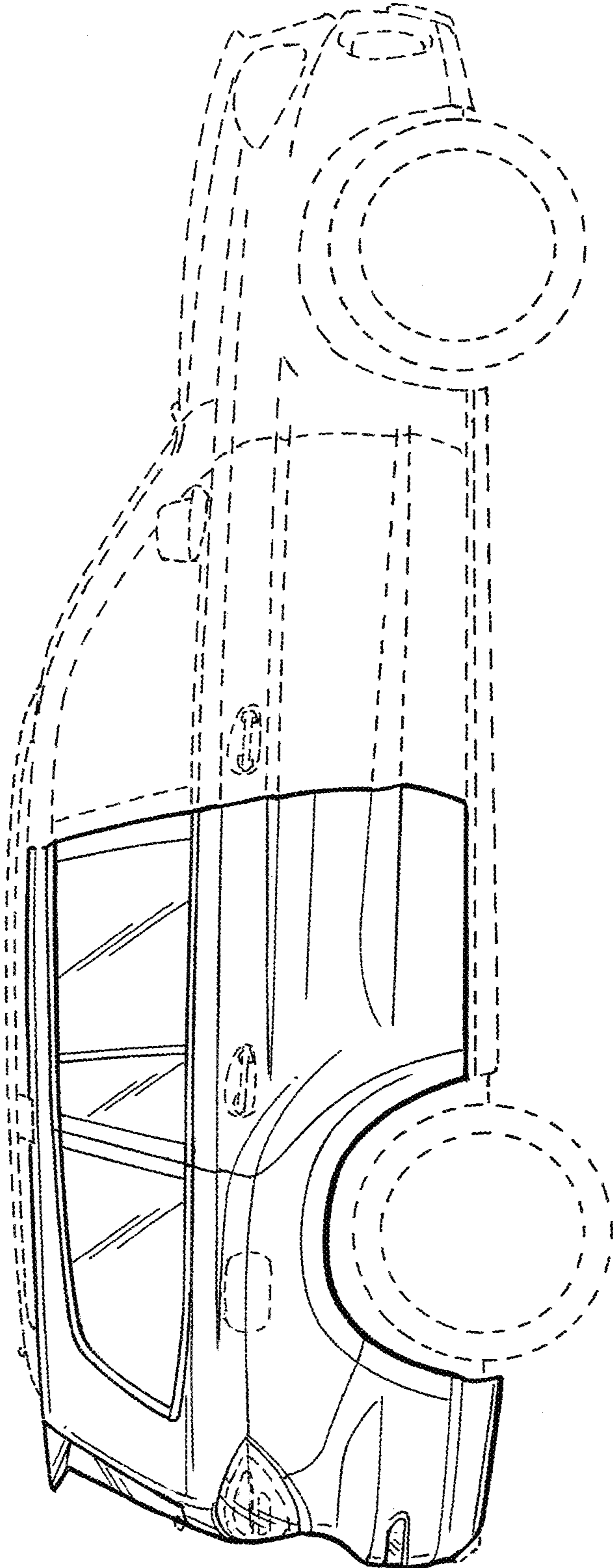


FIG. 3

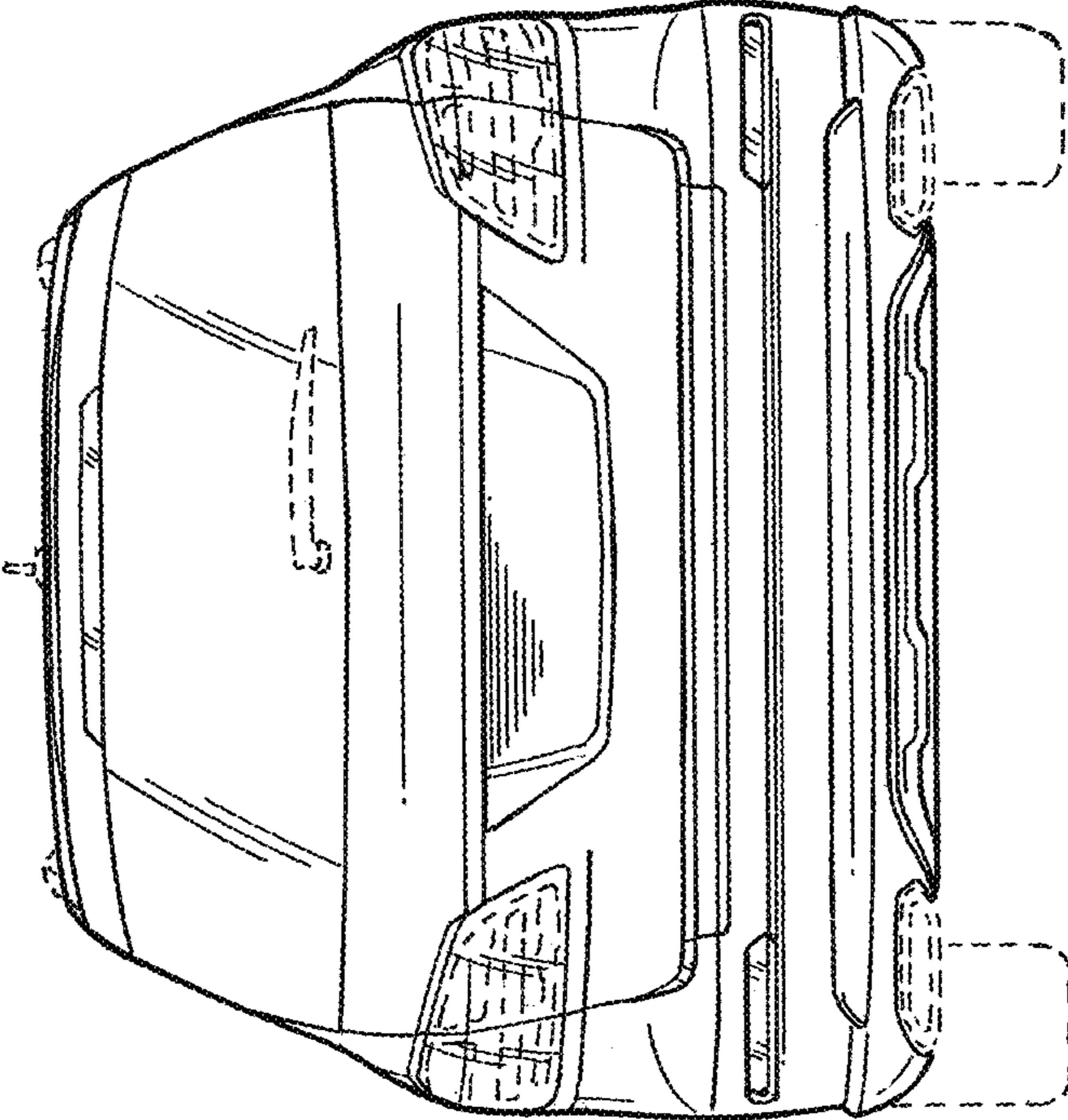


FIG. 4

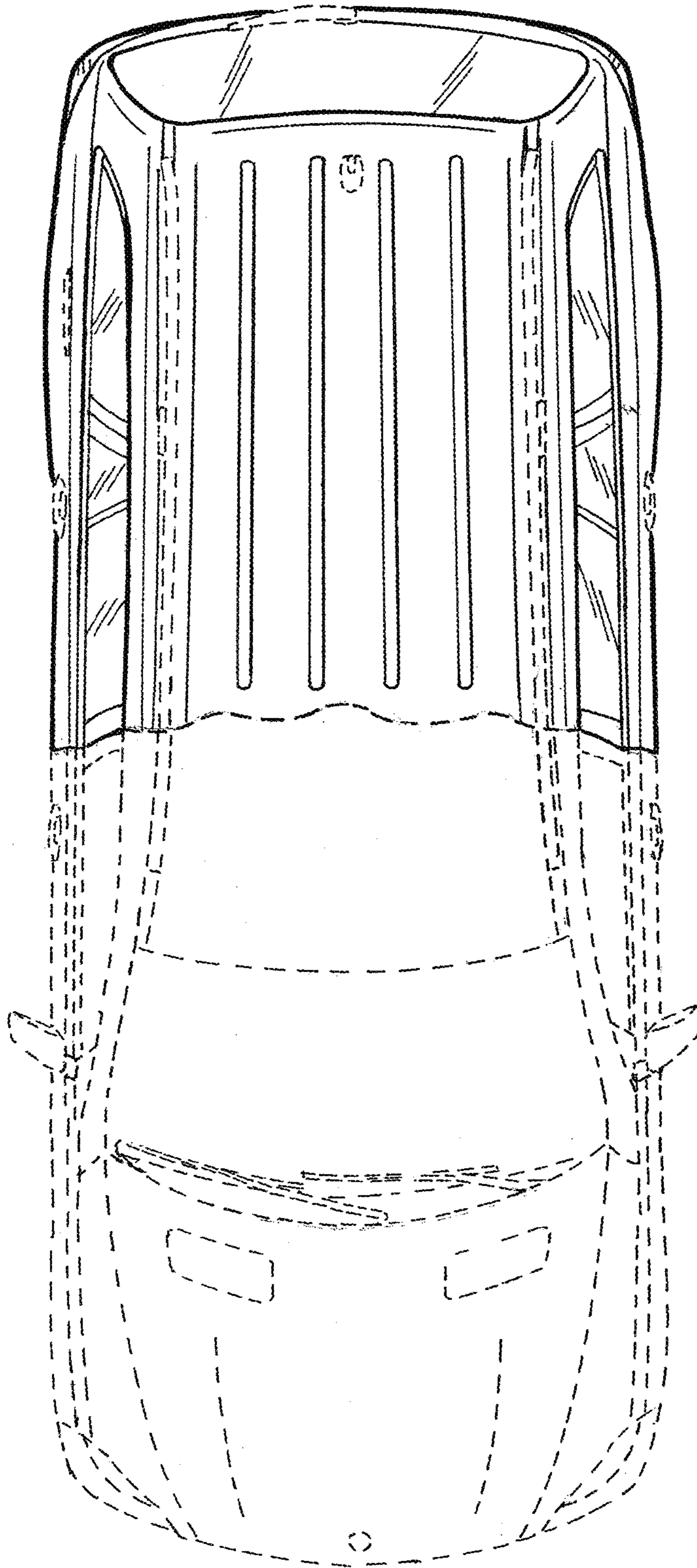


FIG. 5