



US00D751469S

(12) **United States Design Patent**  
**Rackleff et al.**

(10) **Patent No.:** **US D751,469 S**

(45) **Date of Patent:** **\*\* Mar. 15, 2016**

(54) **TRAILER HITCH ATTACHABLE CART**

(71) Applicants: **Richard Kevin Rackleff**, Statesboro, GA (US); **Roy Elmer Blackburn**, Metter, GA (US)

(72) Inventors: **Richard Kevin Rackleff**, Statesboro, GA (US); **Roy Elmer Blackburn**, Metter, GA (US)

(73) Assignee: **BIG KAT BUGGY, LLC**, Statesboro, GA (US)

(\*\*) Term: **14 Years**

(21) Appl. No.: **29/502,462**

(22) Filed: **Sep. 16, 2014**

(51) **LOC (10) Cl.** ..... **12-16**

(52) **U.S. Cl.**  
USPC ..... **D12/162**

(58) **Field of Classification Search**  
USPC ..... D12/162, 159, 160, 161  
CPC ..... B60D 1/065; B60D 1/00; B60D 1/60; B60D 1/06  
See application file for complete search history.

(56) **References Cited**

**U.S. PATENT DOCUMENTS**

6,846,017 B2	1/2005	Martin	
7,380,803 B2	6/2008	Thomas	
7,905,508 B2	3/2011	Crawford et al.	
8,672,200 B2	3/2014	O'Hare	
D705,704 S *	5/2014	Lane	D12/162
D708,099 S *	7/2014	Oman	D12/162
D709,804 S *	7/2014	Provost	D12/162
D709,805 S *	7/2014	Hill	D12/162
D714,194 S *	9/2014	DePietro	D12/162

D729,703 S *	5/2015	Song	D12/162
D729,704 S *	5/2015	Song	D12/162
D737,734 S *	9/2015	McGinnes	D12/162
D738,796 S *	9/2015	DePietro	D12/162
2004/0173654 A1	9/2004	McAlister	
2006/0118586 A1	6/2006	Heravi	
2009/0146394 A1	6/2009	Seivert et al.	
2010/0066069 A1	3/2010	Bradshaw	

\* cited by examiner

*Primary Examiner* — Katrina A Betton

(74) *Attorney, Agent, or Firm* — Withers & Keys, LLC

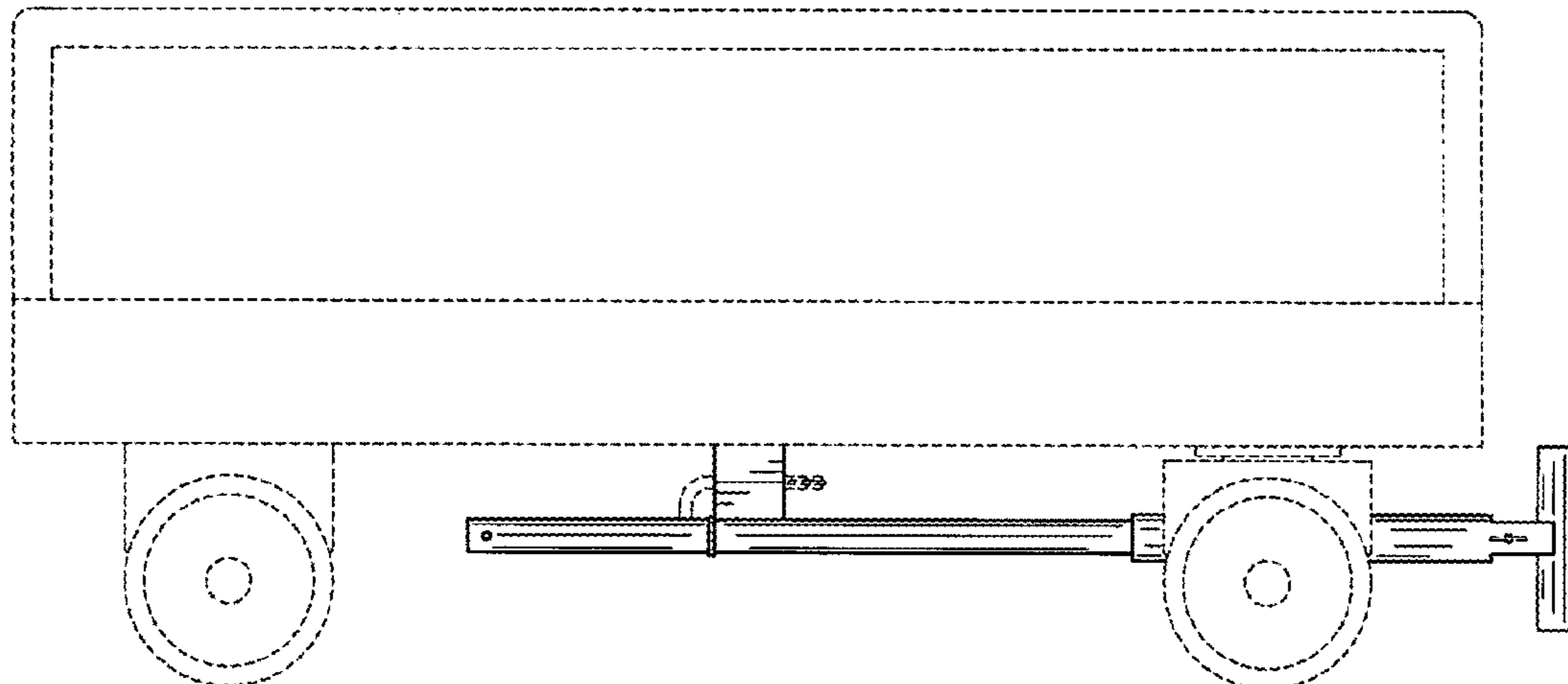
(57) **CLAIM**

The ornamental design for a trailer hitch attachable cart, as shown and described.

**DESCRIPTION**

FIG. 1 is a perspective view of a trailer hitch attachable cart showing my new design;  
 FIG. 2 is a bottom view of the trailer hitch attachable cart showing the detachable handle in a storage position;  
 FIG. 3 is a top view thereof;  
 FIG. 4 is a rear view thereof;  
 FIG. 5 is a frontal view thereof;  
 FIG. 6 is a side view thereof as viewed from the right-hand side of the trailer hitch attachable cart shown in FIG. 5;  
 FIG. 7 is an exploded view of the area labeled "7" in FIG. 6;  
 FIG. 8 is a side view thereof as viewed from the left-hand side of the trailer hitch attachable cart shown in FIG. 5; and,  
 FIG. 9 is a bottom view of the trailer hitch attachable cart showing (i) the detachable handle in a use position, and (ii) an extendable tubular member sized to fit within a trailer hitch receiver in a use position.  
 The broken lines shown in the drawings illustrate portions of the trailer hitch attachable cart that forms no part of the claimed design.

**1 Claim, 8 Drawing Sheets**



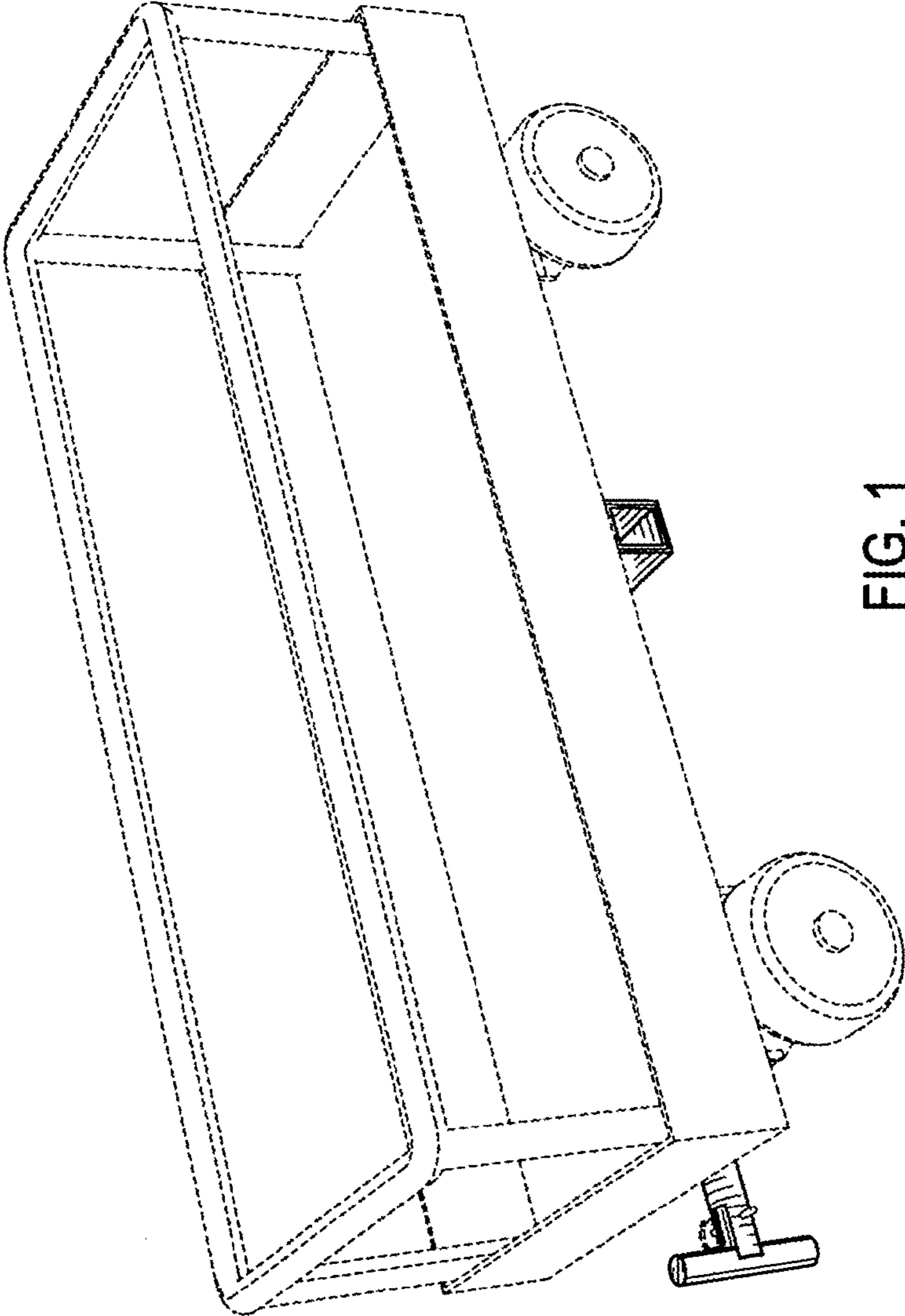


FIG. 1

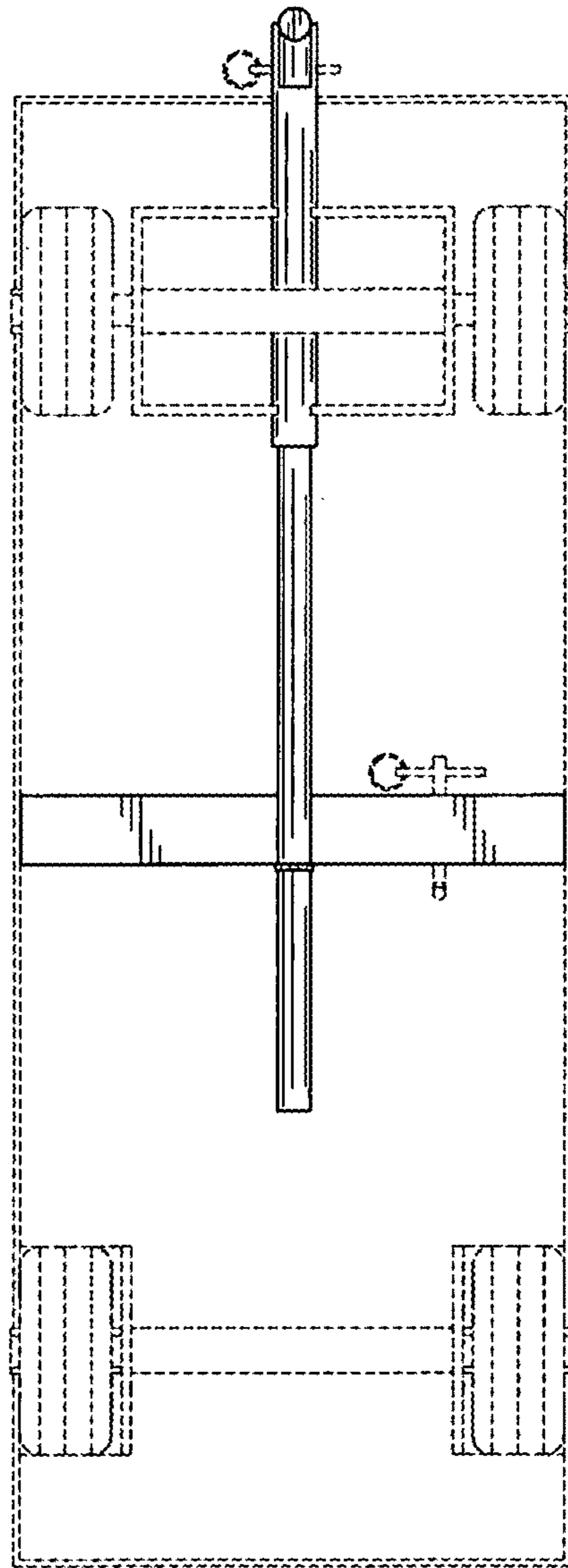


FIG. 2

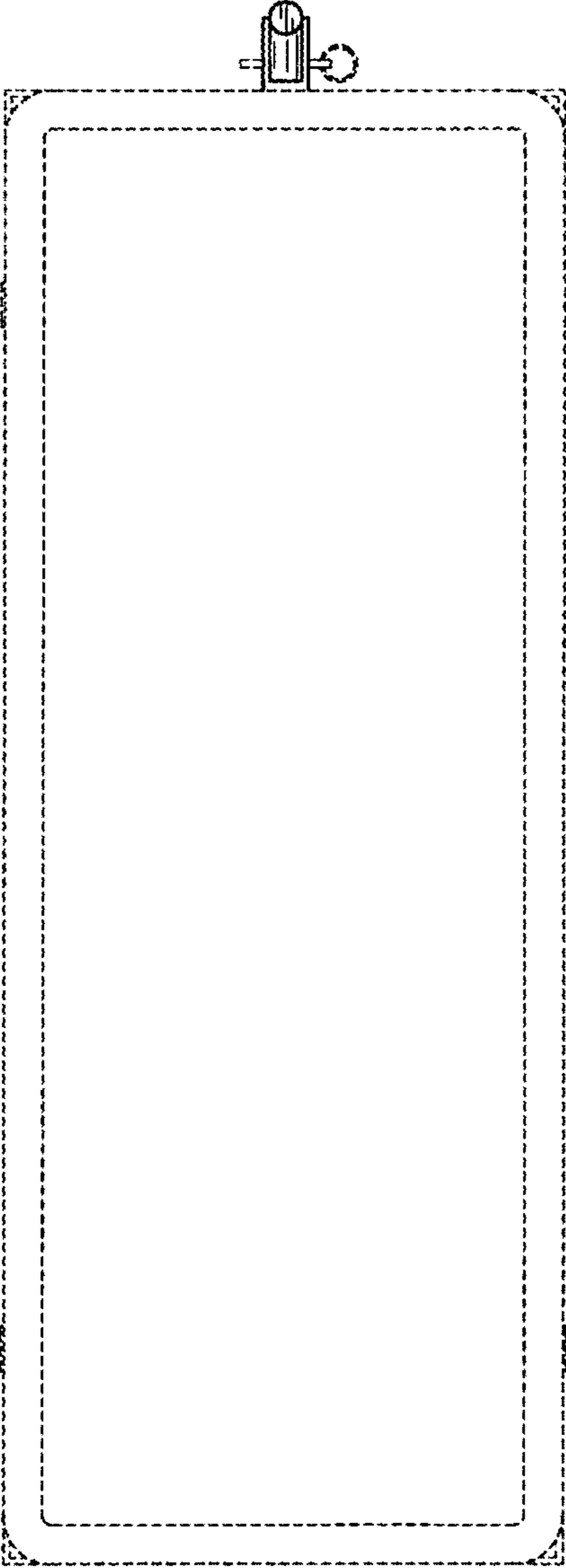


FIG. 3

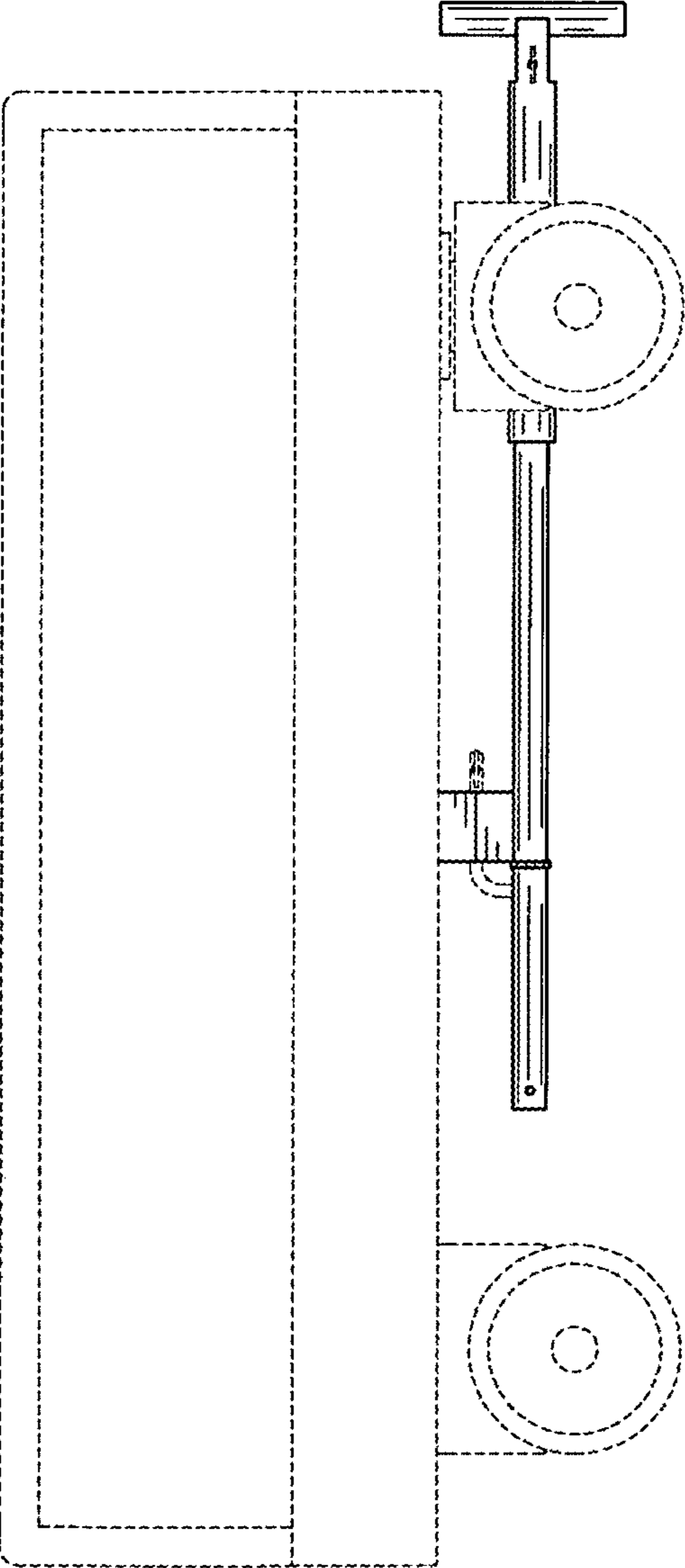


FIG. 4

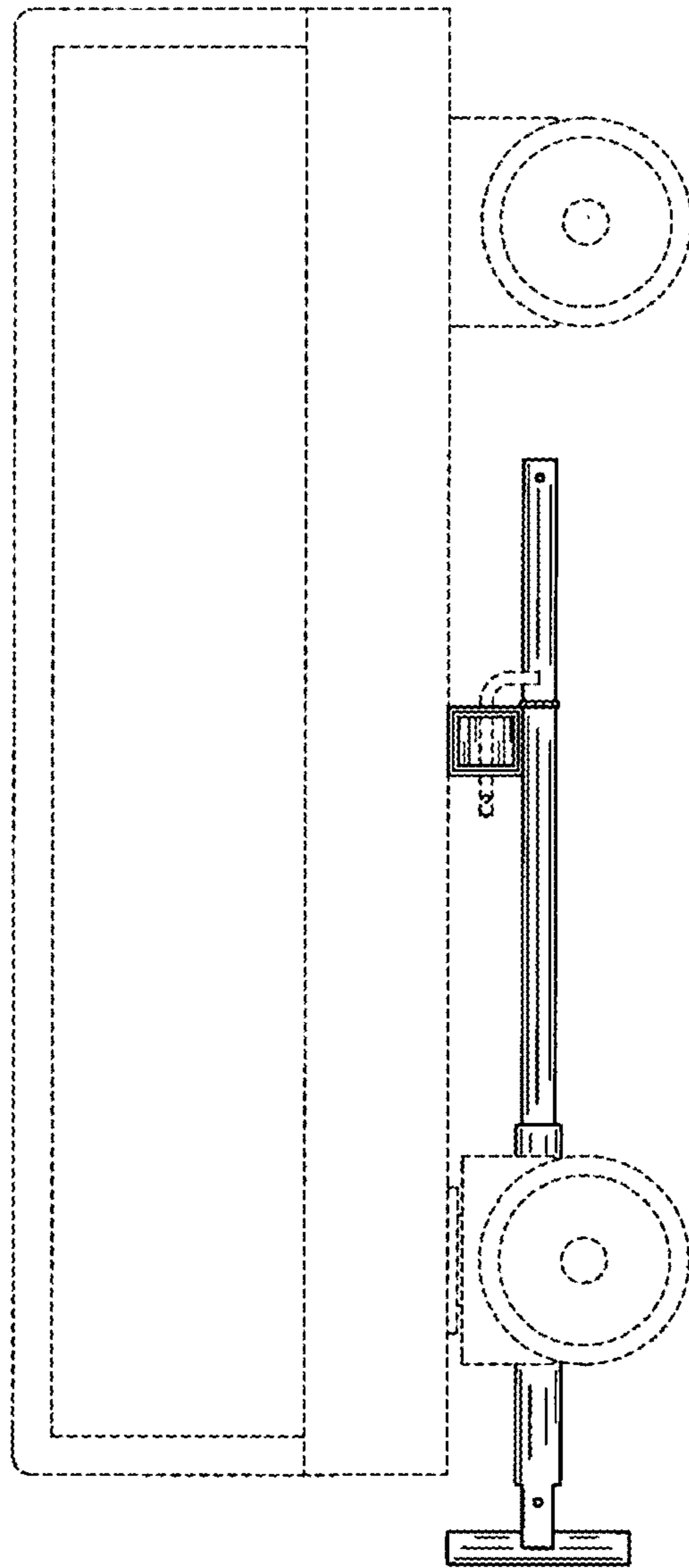


FIG. 5

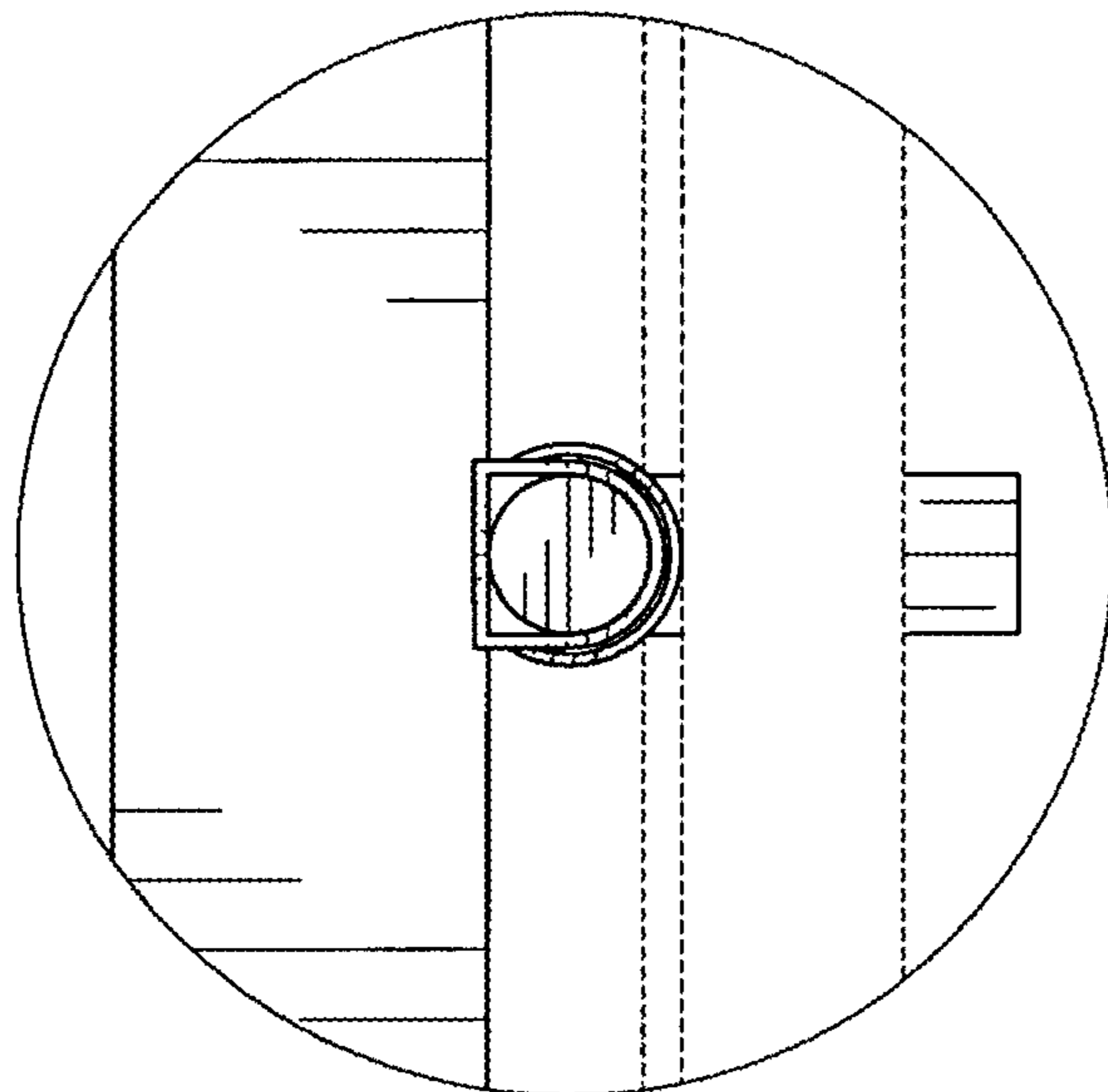


FIG. 7

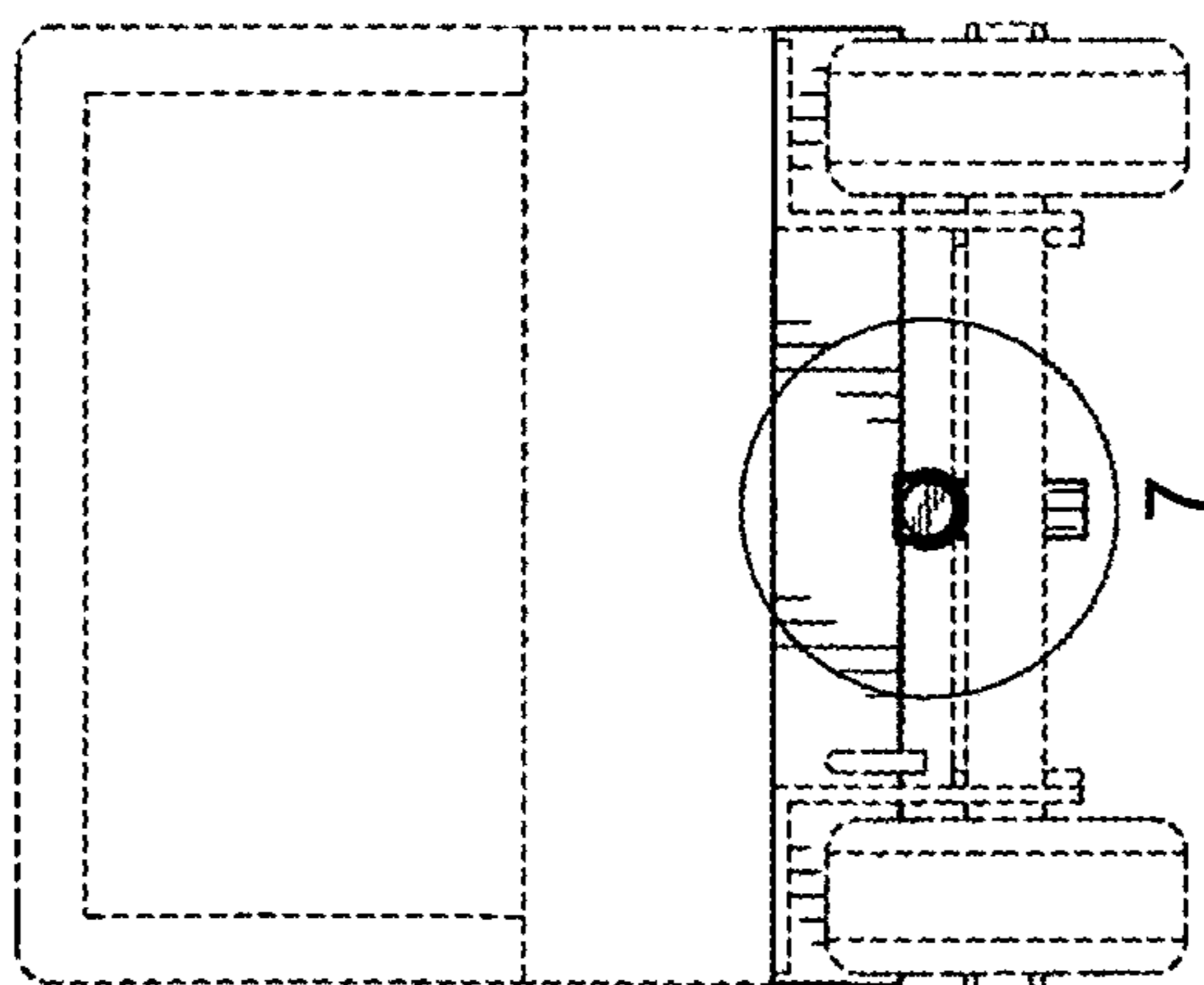


FIG. 6



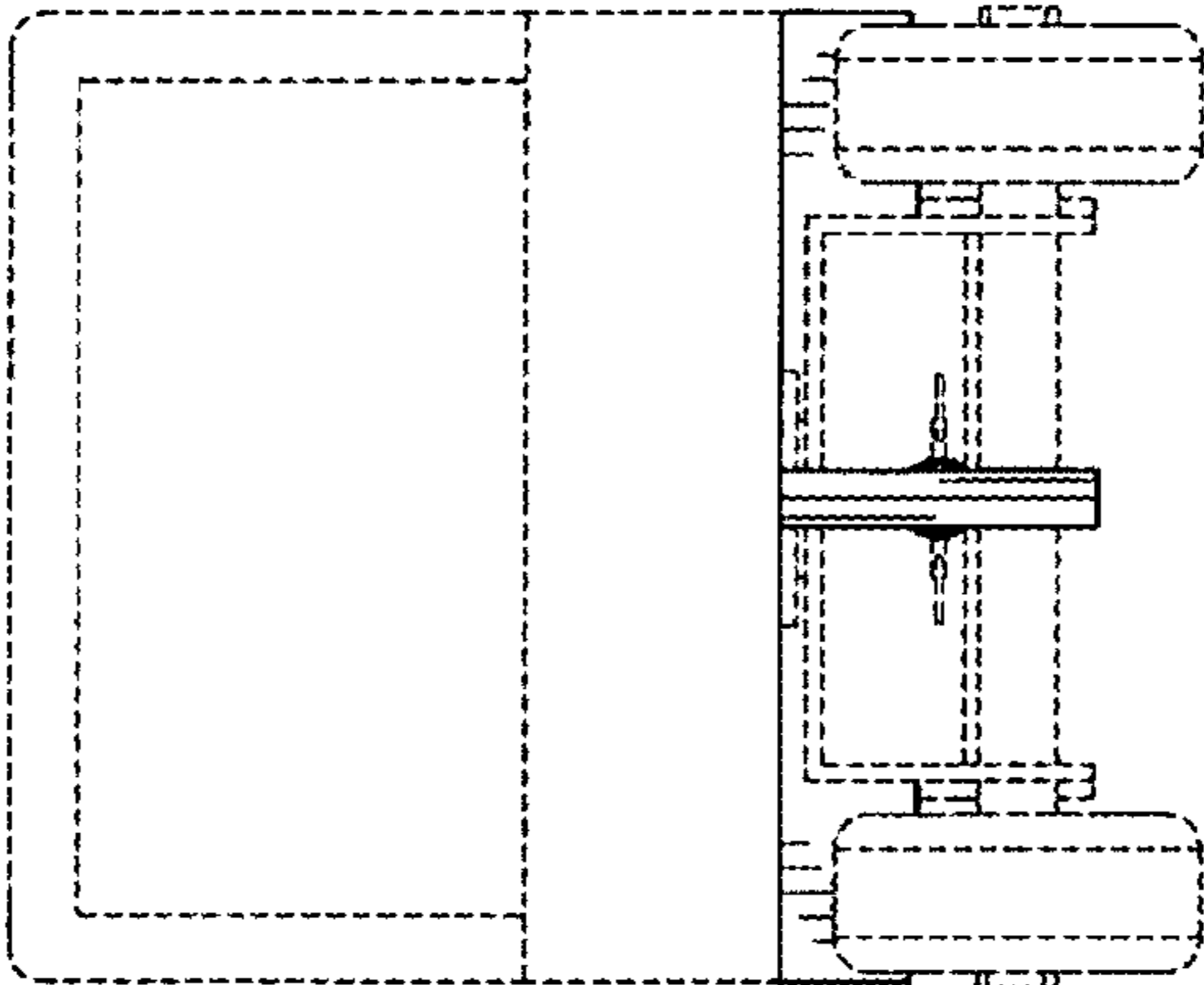


FIG. 8



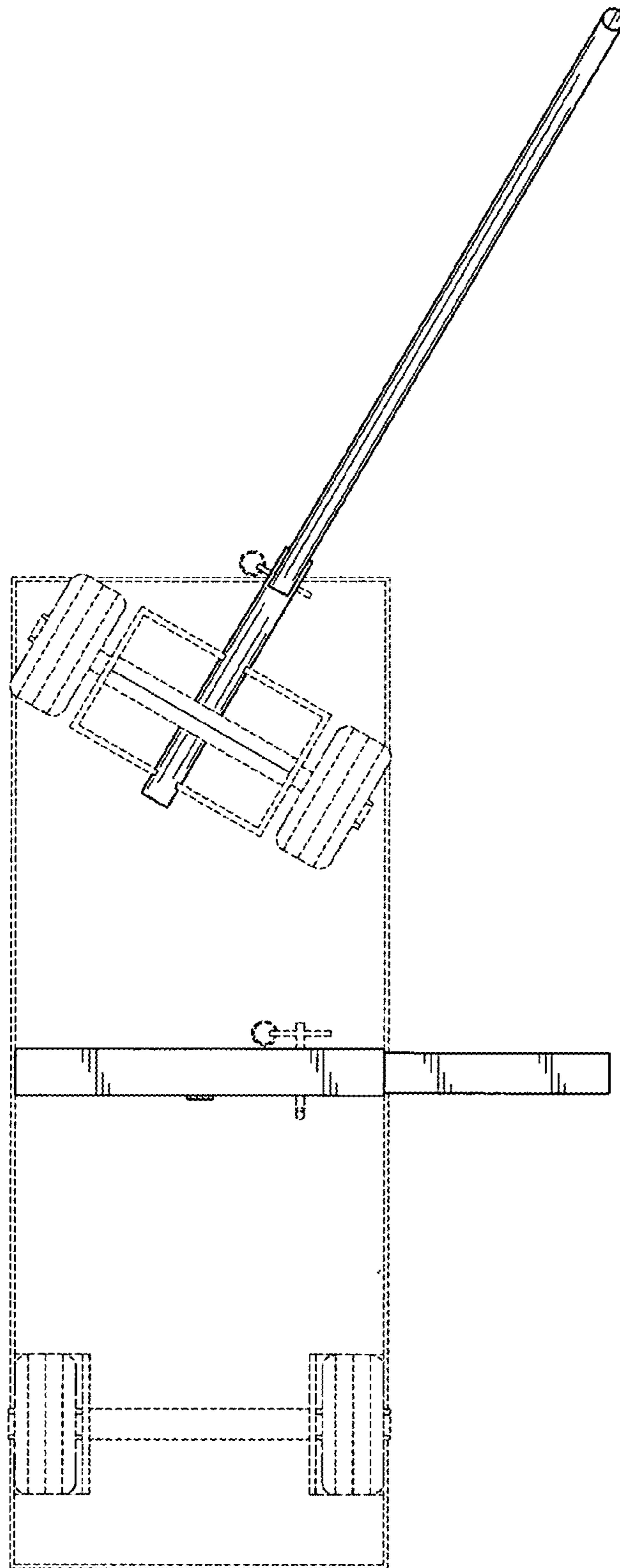


FIG. 9