



US00D751466S

(12) **United States Design Patent**
Freitag et al.

(10) **Patent No.:** **US D751,466 S**
(45) **Date of Patent:** **** Mar. 15, 2016**

(54) **SELF-CONTAINMENT DEVICE FOR A DIESEL MACHINE**

(71) Applicant: **KAMAC, INC.**, Cleveland, OH (US)

(72) Inventors: **David Freitag**, Rocky River, OH (US);
Phillip L. Bowman, Burton, OH (US)

(73) Assignee: **KAMAC, INC.**, Cleveland, OH (US)

(**) Term: **14 Years**

(21) Appl. No.: **29/496,488**

(22) Filed: **Jul. 14, 2014**

Related U.S. Application Data

(63) Continuation of application No. 14/261,380, filed on Apr. 24, 2014.

(51) **LOC (10) Cl.** **12-10**

(52) **U.S. Cl.**
USPC **D12/101**

(58) **Field of Classification Search**
USPC D12/100–106, 19, 129, 111–112;
D34/12; D21/425, 435
CPC B62D 35/02; B62D 35/00; B60P 3/1033;
B60P 3/10; A62B 3/005
See application file for complete search history.

(56) **References Cited**

U.S. PATENT DOCUMENTS

2,567,164 A 9/1951 Brehany et al.
5,071,166 A 12/1991 Marino

D471,845 S *	3/2003	Mighell	D12/101
6,701,776 B2	3/2004	Stetter		
D513,717 S *	1/2006	Wittkowski	D12/101
D515,464 S *	2/2006	DeShong	D12/101
D530,242 S *	10/2006	Prusmack	D12/101
7,293,802 B2	11/2007	Bachman		
7,371,038 B2	5/2008	Tuvim		
D695,647 S *	12/2013	Manley	D12/101
D706,175 S *	6/2014	Graham, II	D12/101
2012/0022768 A1	1/2012	Johnson		
2013/0085652 A1	4/2013	McGuffin		

* cited by examiner

Primary Examiner — Katrina A Betton

(74) *Attorney, Agent, or Firm* — Carlos Garritano

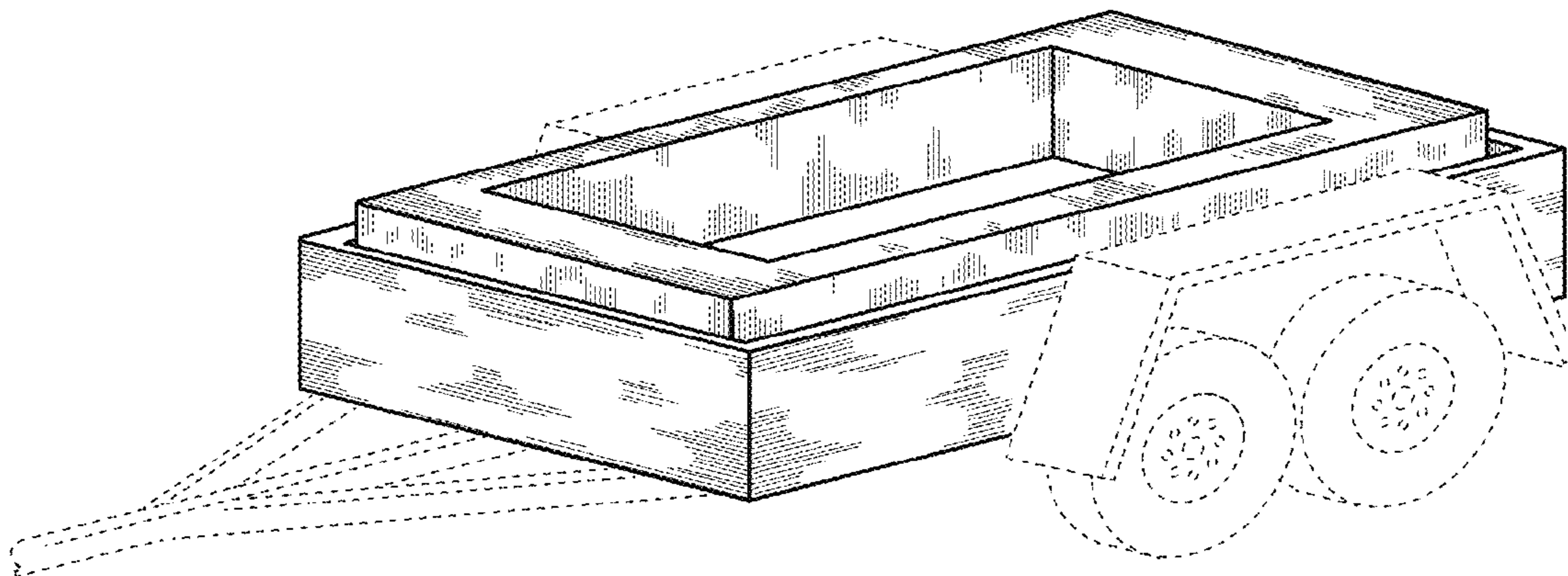
(57) **CLAIM**

The ornamental design for a self-containment device for a diesel machine, as shown.

DESCRIPTION

FIG. 1 is a front elevational view of a self-containment device for a diesel machine;
FIG. 2 is a bottom view of the self-containment device for a diesel machine of FIG. 1;
FIG. 3 is a top view of the self-containment device for a diesel machine of FIG. 1;
FIG. 4 is a left side view of the self-containment device for a diesel machine of FIG. 1, with the right side view being a mirror image thereof;
FIG. 5 is a rear view of the self-containment device for a diesel machine of FIG. 1; and,
FIG. 6 is a front view of the self-containment device for a diesel machine of FIG. 1.

1 Claim, 3 Drawing Sheets



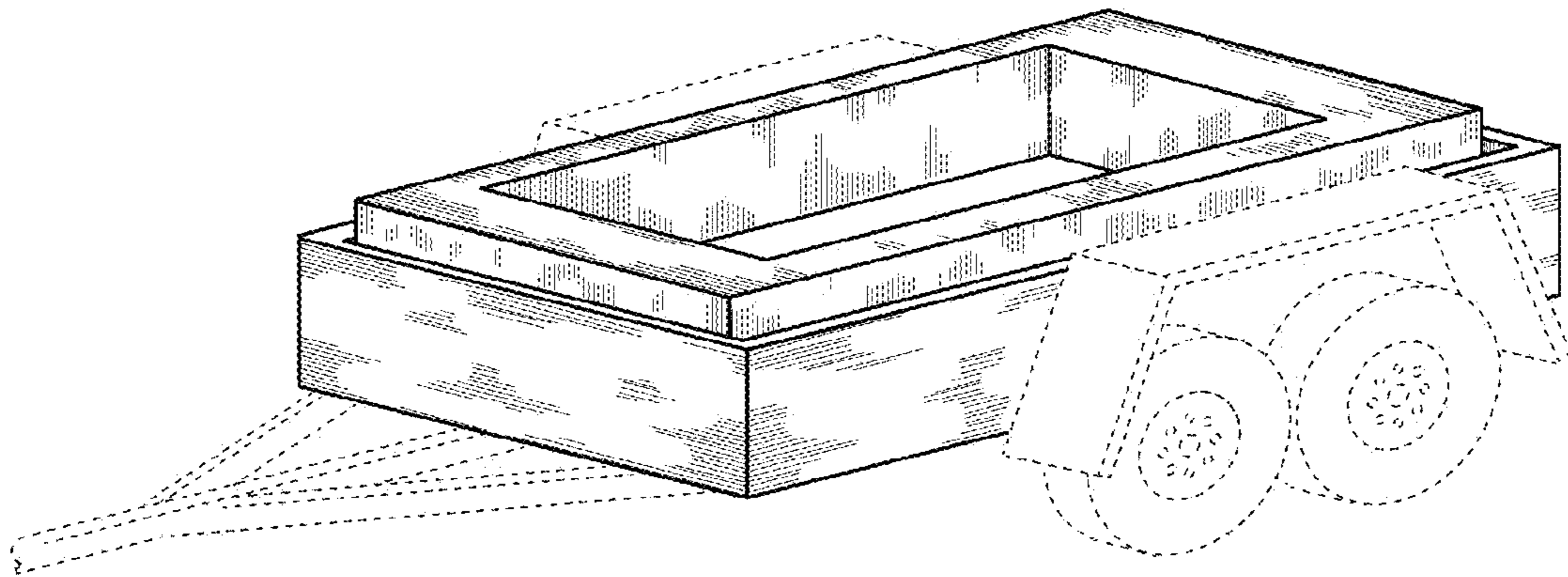


FIG. 1

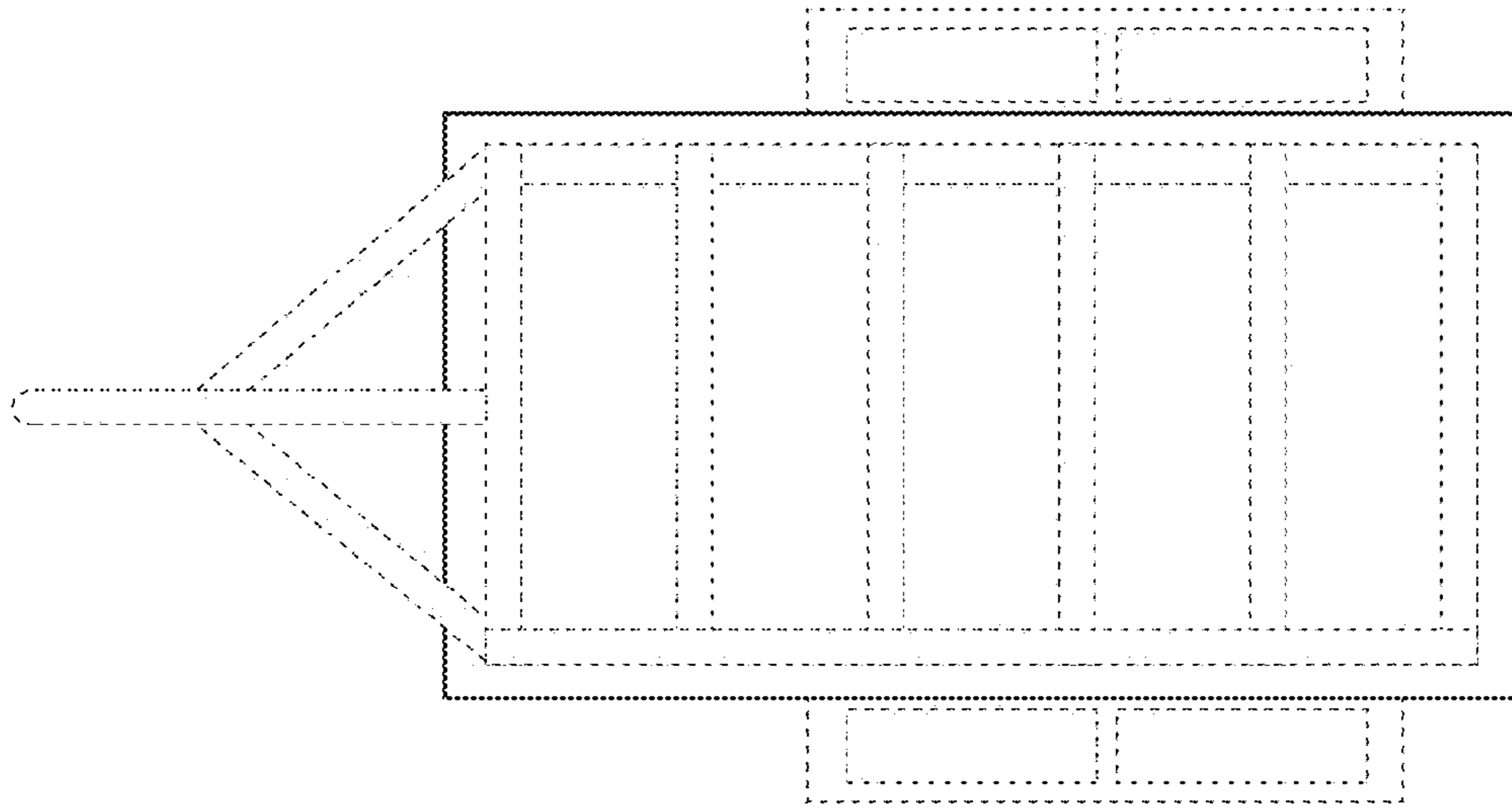


FIG. 2

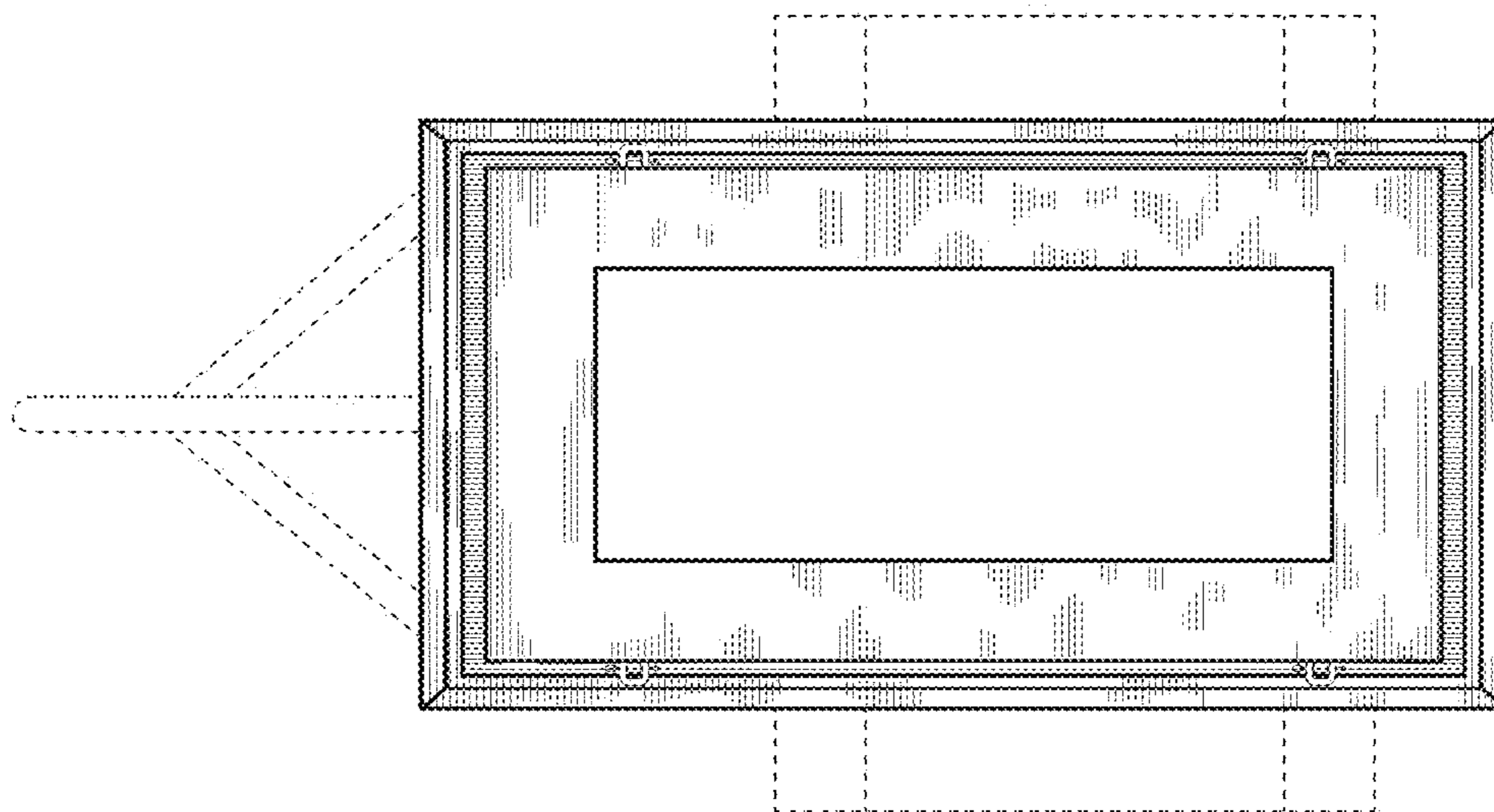


FIG. 3

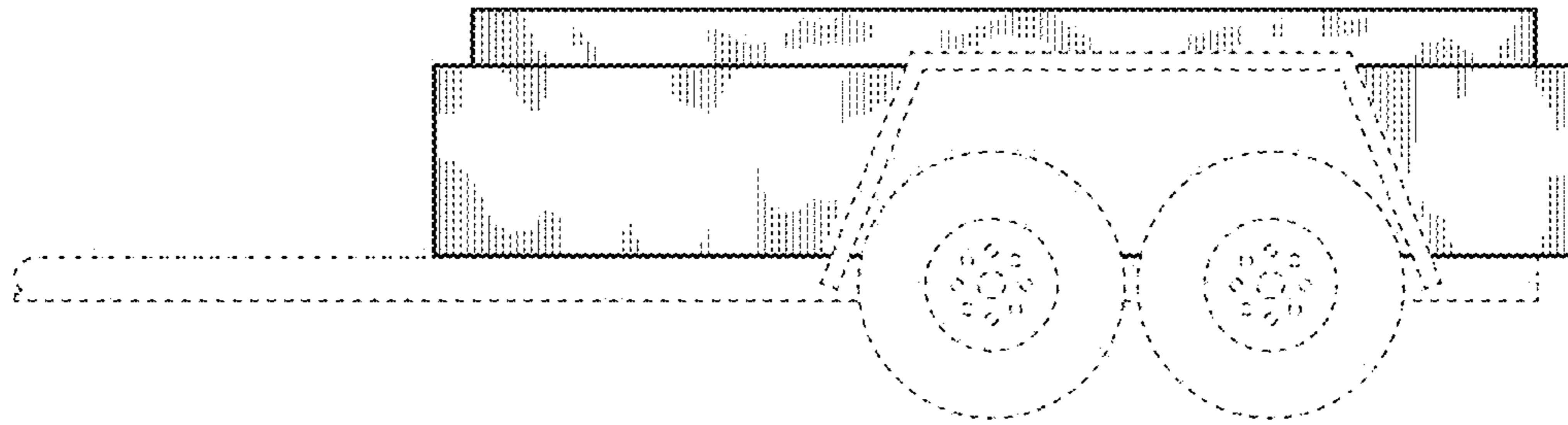


FIG. 4

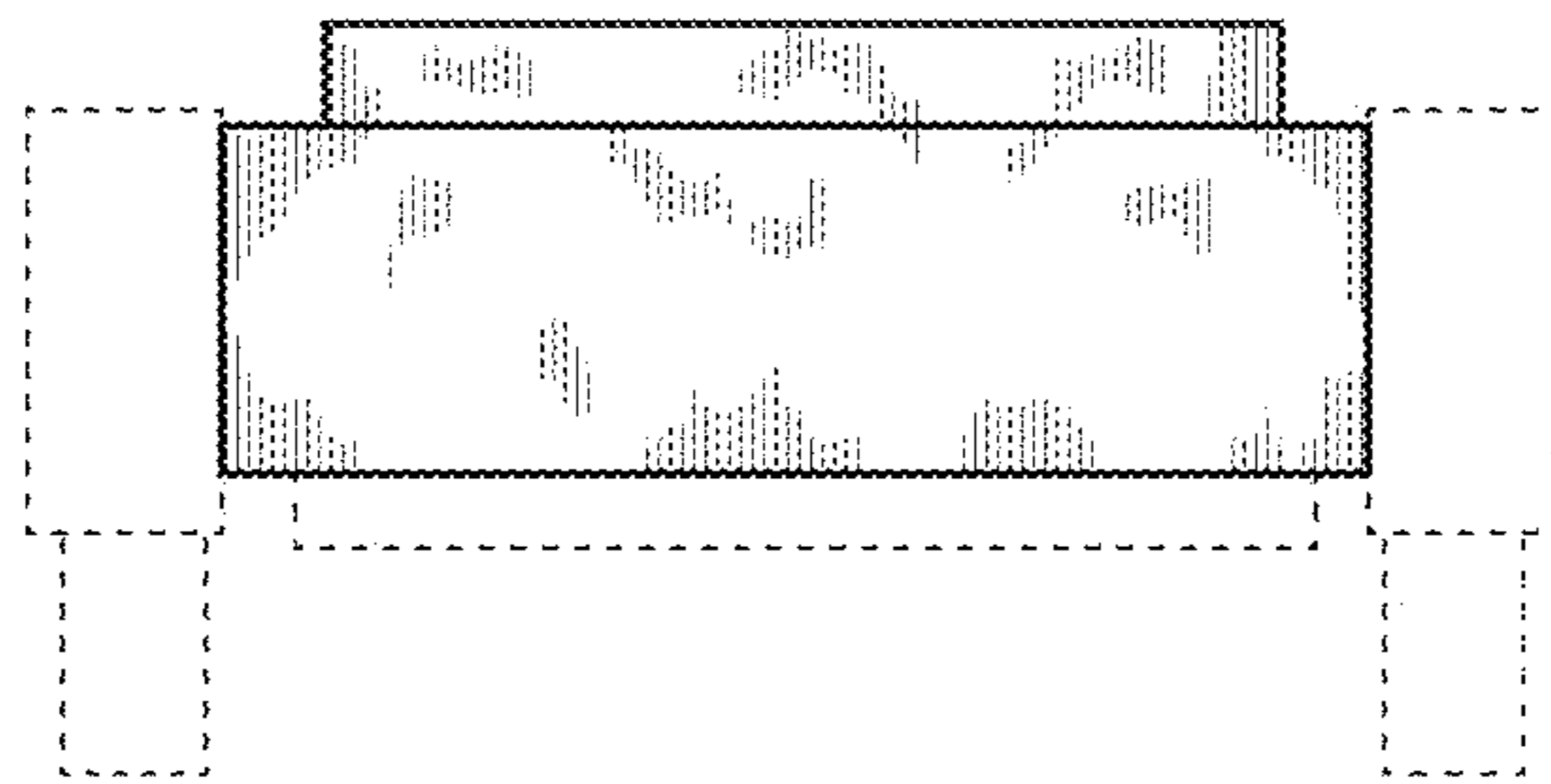


FIG. 5

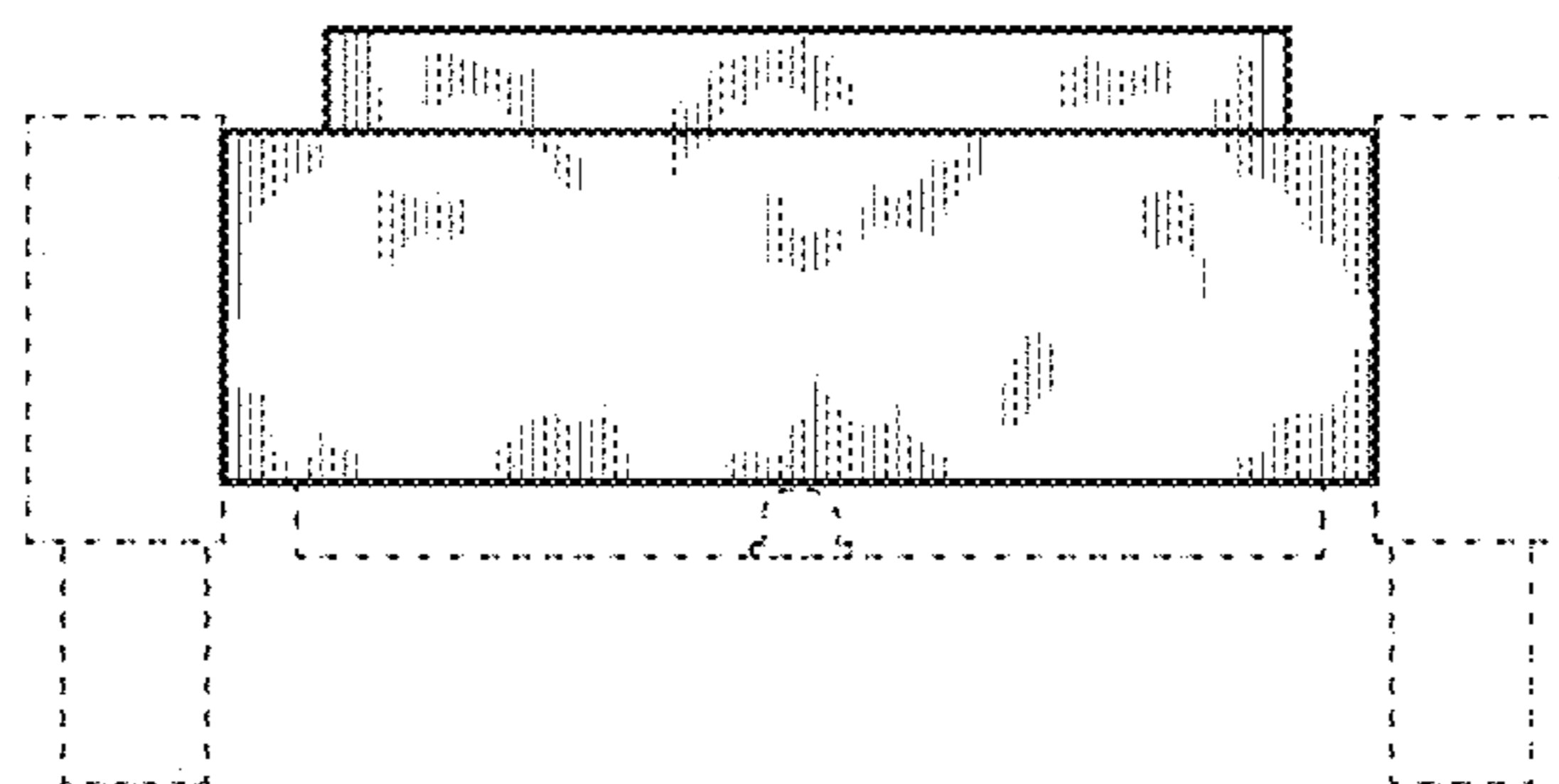


FIG. 6