



US00D751463S

(12) **United States Design Patent**  
**Futschik et al.**

(10) **Patent No.:** **US D751,463 S**  
(45) **Date of Patent:** **\*\* Mar. 15, 2016**

(54) **VEHICLE, TOY, AND/OR REPLICAS THEREOF**

D671,033 S \* 11/2012 Fetherston ..... D12/91  
D704,602 S 5/2014 Frenzel et al.  
D744,376 S \* 12/2015 Futschik ..... D12/91

(71) Applicant: **Daimler AG**, Stuttgart (DE)

\* cited by examiner

(72) Inventors: **Hans-Dieter Futschik**, Gechingen (DE);  
**Carsten Guenther**, Boeblingen (DE);  
**Robert Lesnik**, Leonberg (DE); **Gorden Wagener**, Gaeufelden (DE)

*Primary Examiner* — Melody N Brown

(74) *Attorney, Agent, or Firm* — Crowell & Moring LLP

(73) Assignee: **Daimler AG**, Stuttgart (DE)

(57) **CLAIM**

The ornamental design for a vehicle, toy, and/or replicas thereof, as shown and described.

(\*\*) Term: **14 Years**

**DESCRIPTION**

(21) Appl. No.: **29/507,829**

This application contains subject matter related to the following co-pending U.S. design patent applications:

(22) Filed: **Oct. 31, 2014**

Application Ser. No. 29/507,830, filed herewith and entitled “Front Portion of a Vehicle, Toy, and/or Replicas Thereof”;

(30) **Foreign Application Priority Data**

May 1, 2014 (WO) ..... DM/083 557

Application Ser. No. 29/507,831, filed herewith and entitled “Rear Portion of a Vehicle, Toy, and/or Replicas Thereof”;

(51) **LOC (10) Cl.** ..... **12-08**

Application Ser. No. 29/507,832, filed herewith and entitled “Radiator Grill for a Vehicle”;

(52) **U.S. Cl.**  
USPC ..... **D12/91**

Application Ser. No. 29/507,833, filed herewith and entitled “Headlight for a Vehicle”;

(58) **Field of Classification Search**  
USPC ..... D12/86, 90–92; D21/421, 433, 434;  
296/181.1, 181.5

Application Ser. No. 29/507,834, filed herewith and entitled “Headlight for a Vehicle”; and

CPC ..... B62D 35/00; B62D 25/00; B62D 25/06;  
B62D 25/08; B62D 33/00

Application Ser. No. 29/507,835, filed herewith and entitled “Taillight for a Vehicle”.

See application file for complete search history.

FIG. 1 is a left, front perspective view of a vehicle, toy, and/or replicas thereof according to the design;

FIG. 2 is a left, rear perspective view thereof;

FIG. 3 is a left side view thereof;

FIG. 4 is a right side view thereof;

FIG. 5 is a front view thereof;

FIG. 6 is a rear view thereof; and,

FIG. 7 is a top view thereof.

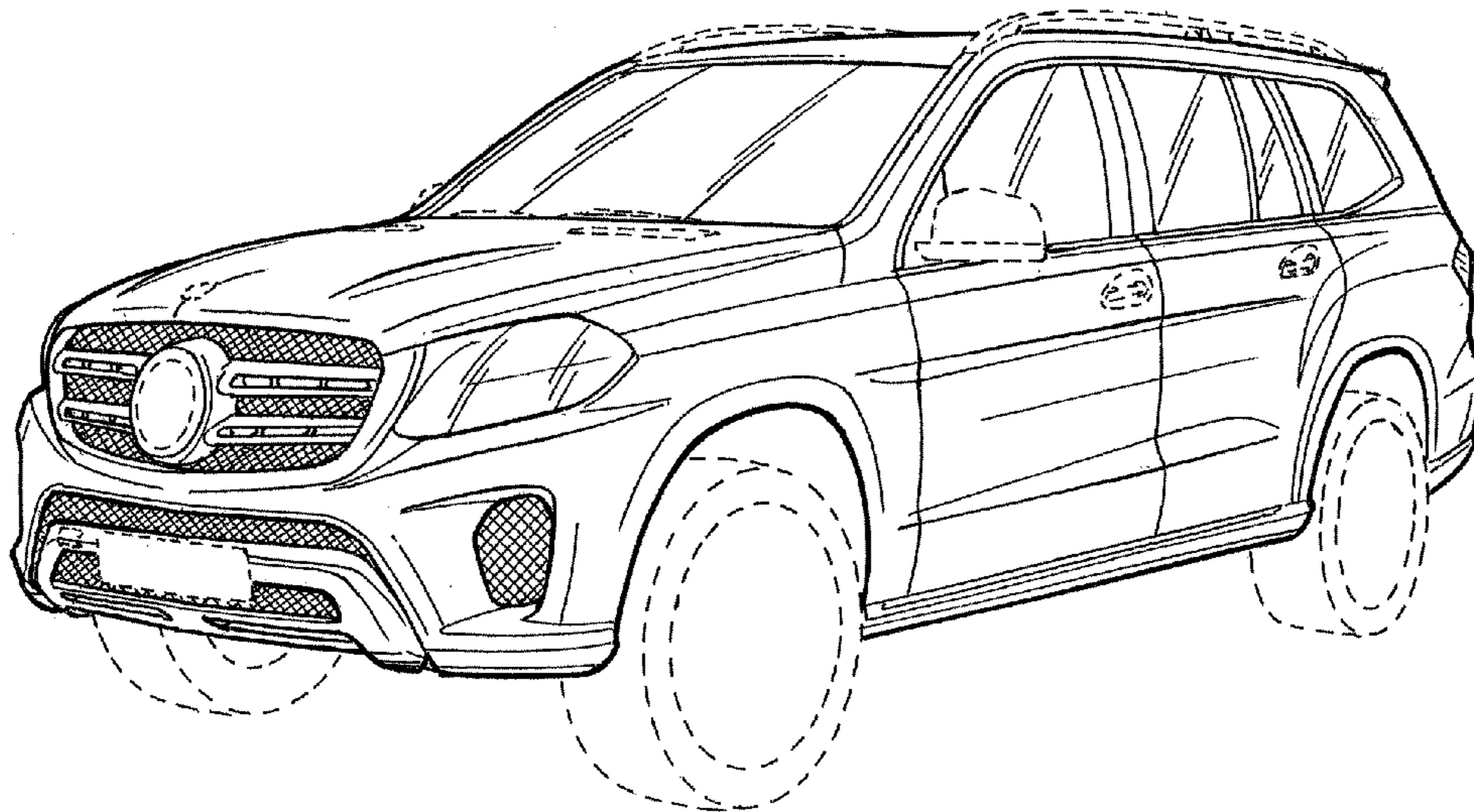
The broken lines are for illustrative purposes only and form no part of the claimed design.

(56) **References Cited**

**U.S. PATENT DOCUMENTS**

D615,464 S \* 5/2010 Frei ..... D12/164  
D617,682 S \* 6/2010 Frei ..... D12/91  
D643,348 S \* 8/2011 Burki ..... D12/164  
D643,787 S \* 8/2011 Burki ..... D12/164  
D670,606 S 11/2012 Frenzel et al.  
D670,621 S 11/2012 Frenzel et al.

**1 Claim, 6 Drawing Sheets**



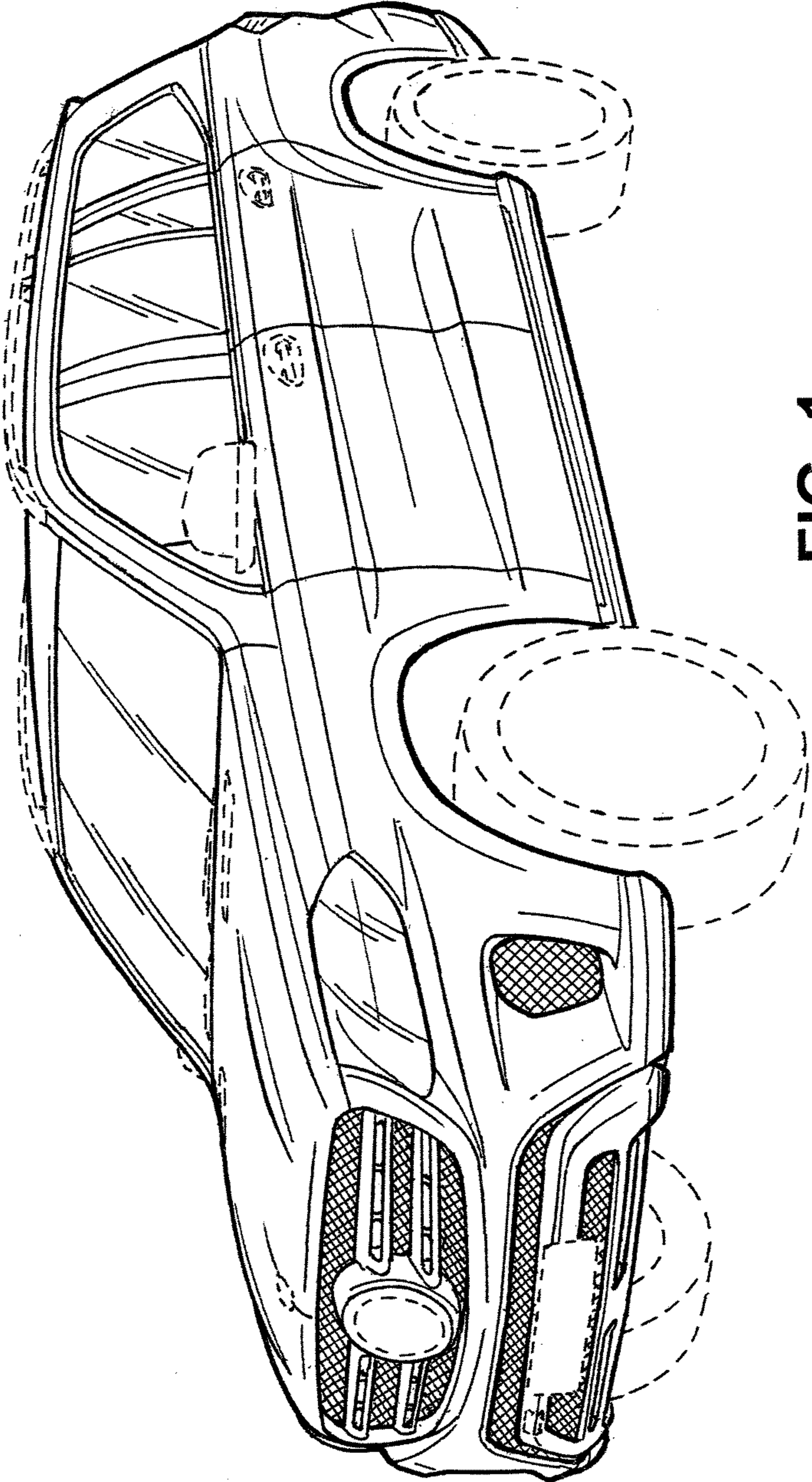


FIG. 1



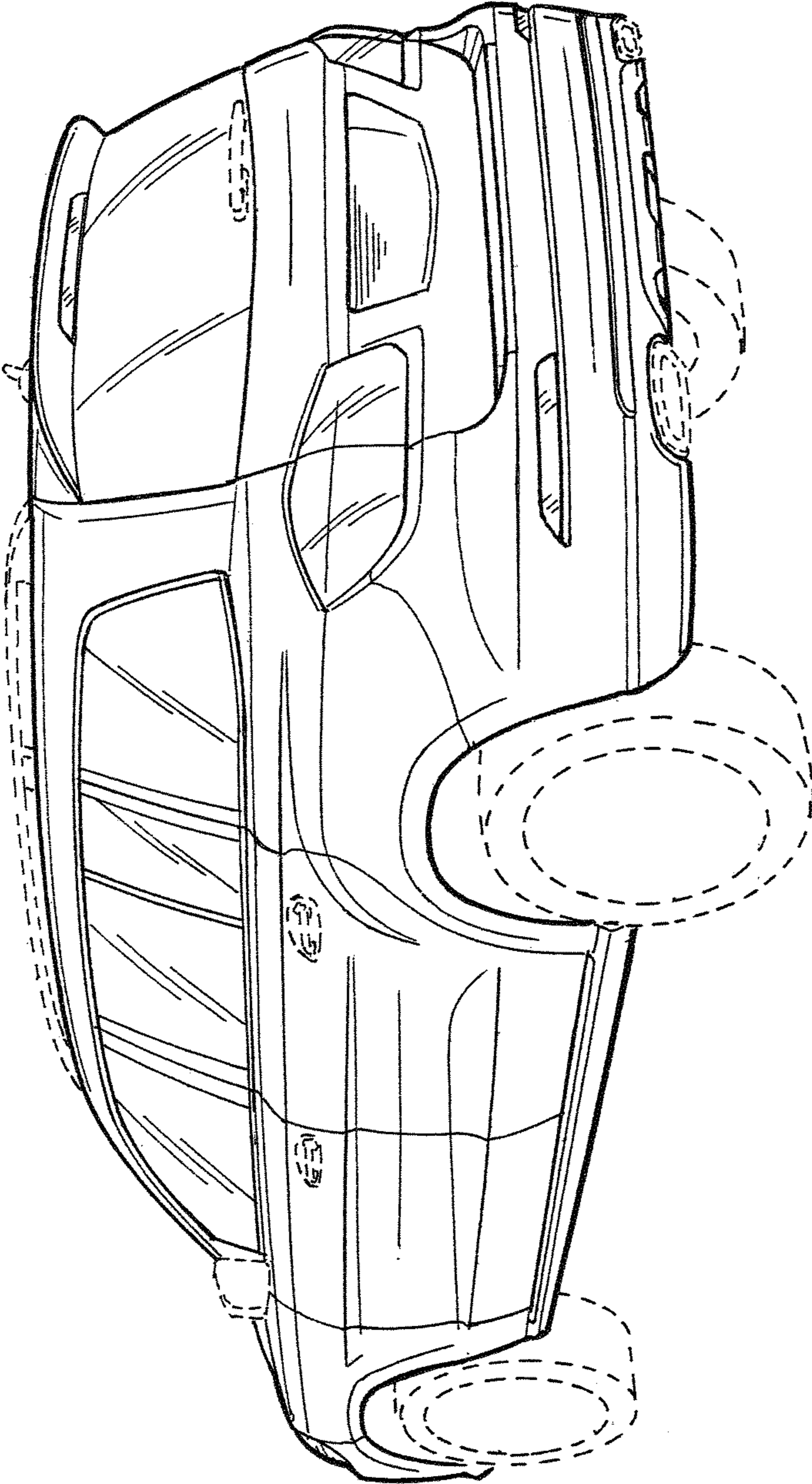


FIG. 2

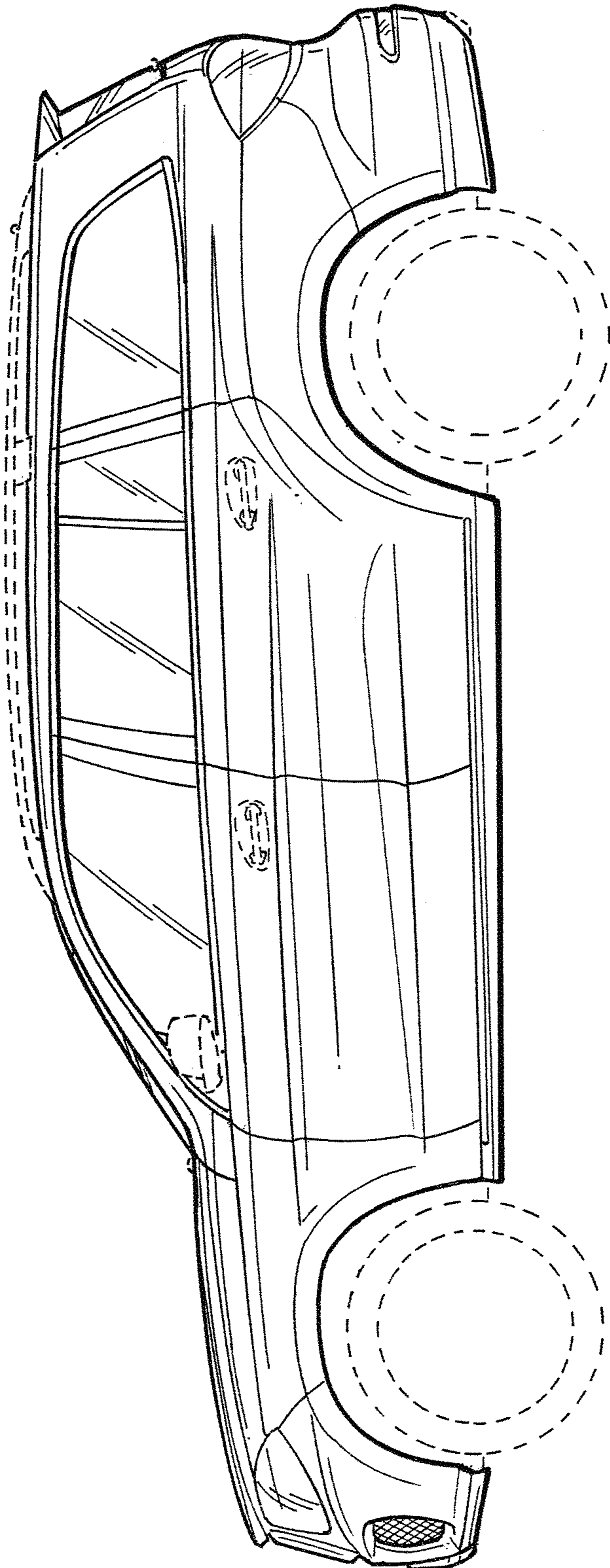


FIG. 3

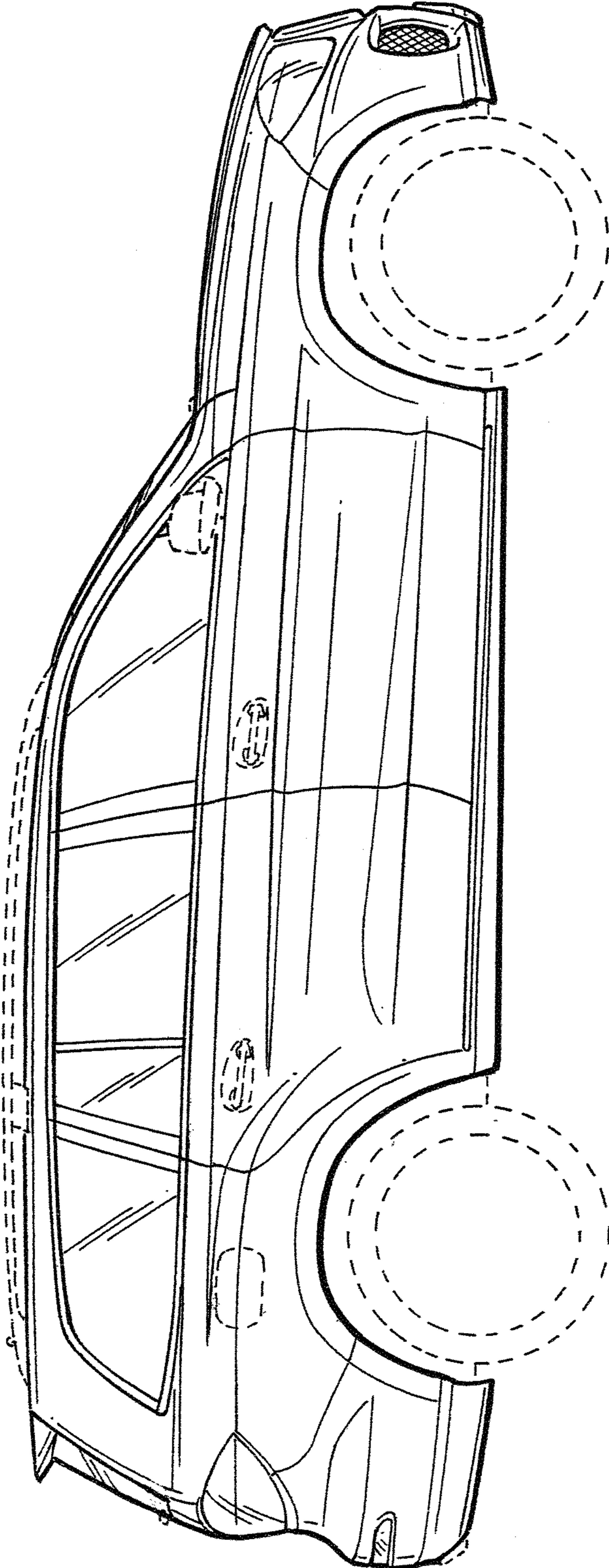


FIG. 4



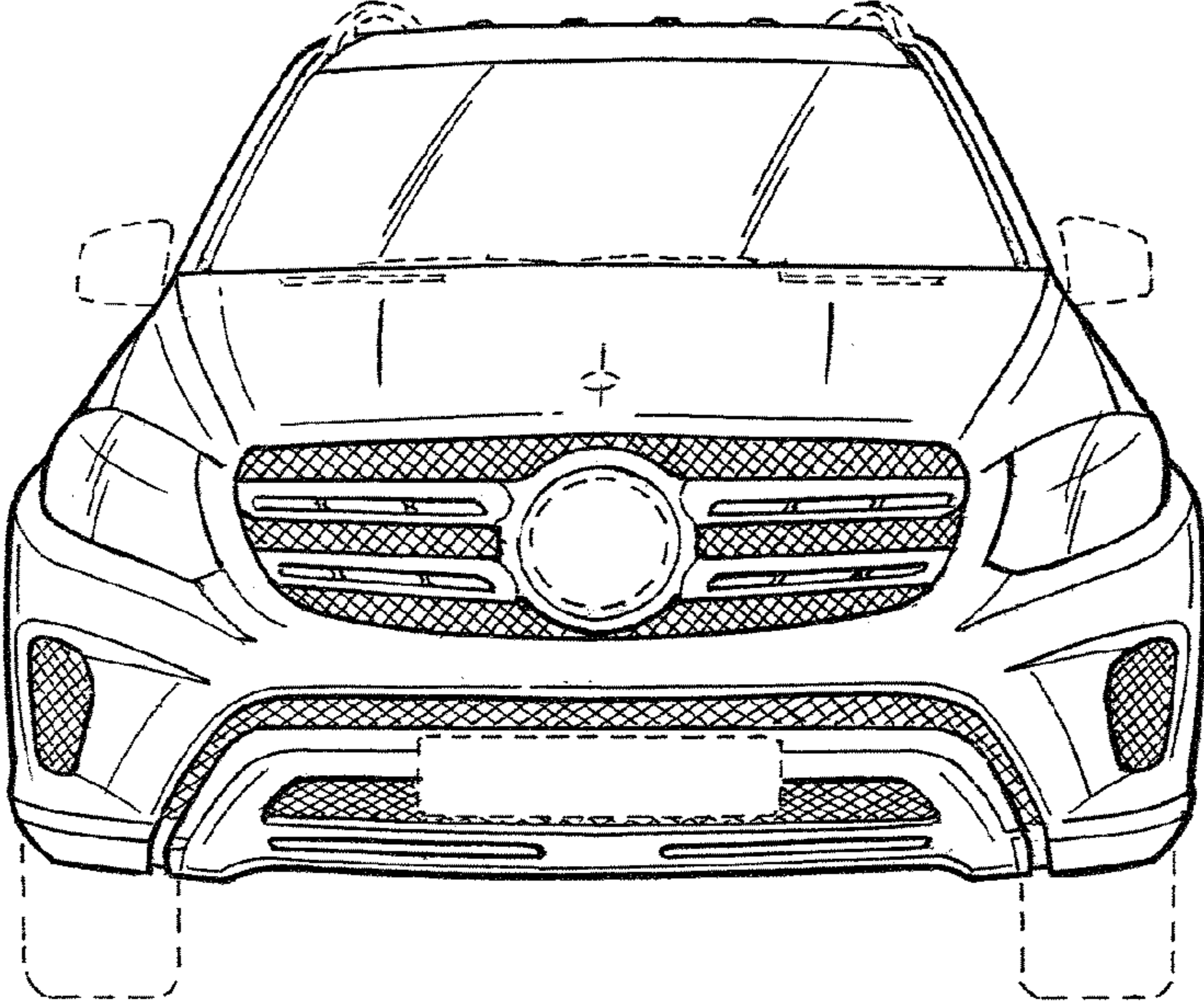


FIG. 5

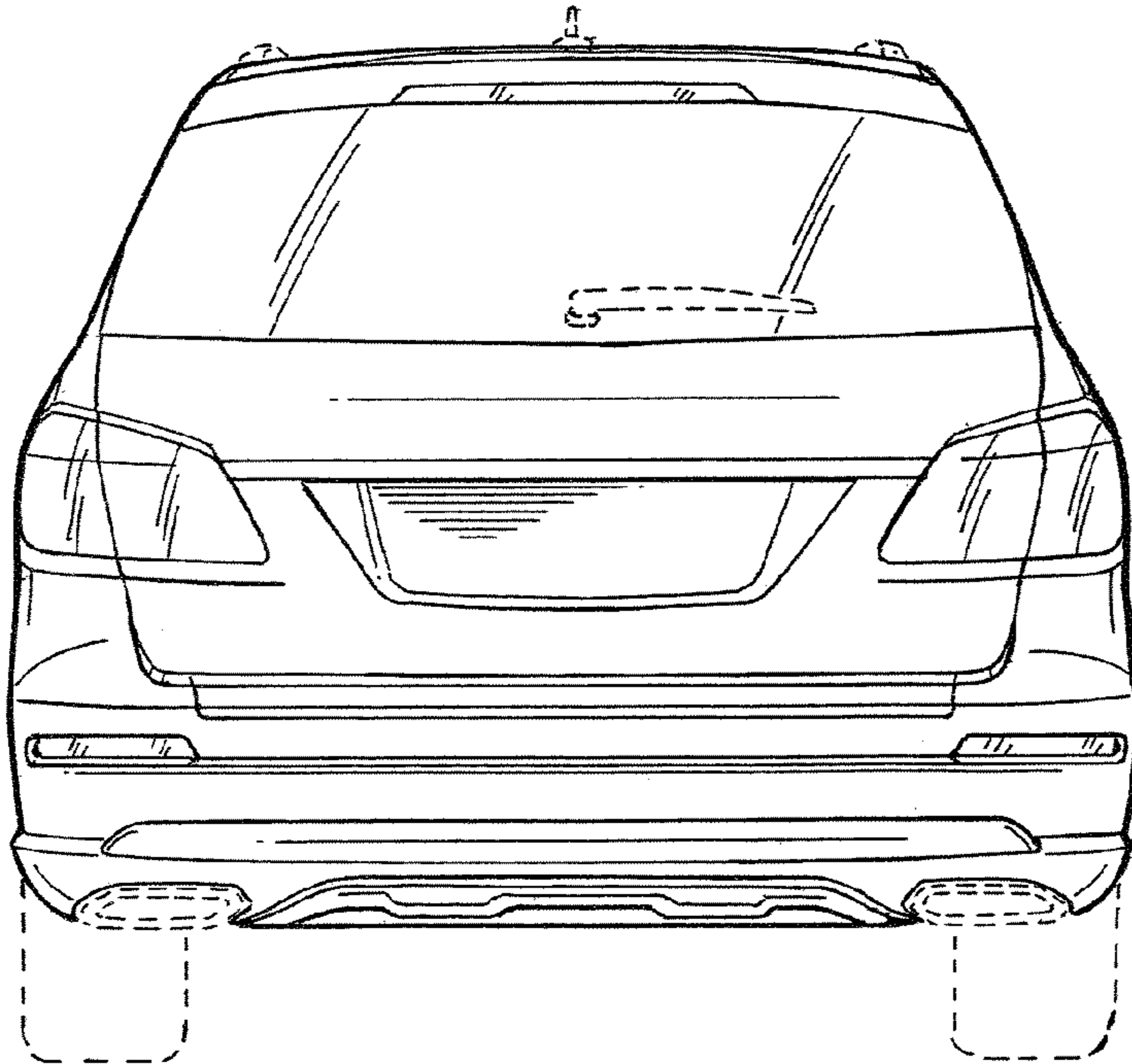


FIG. 6

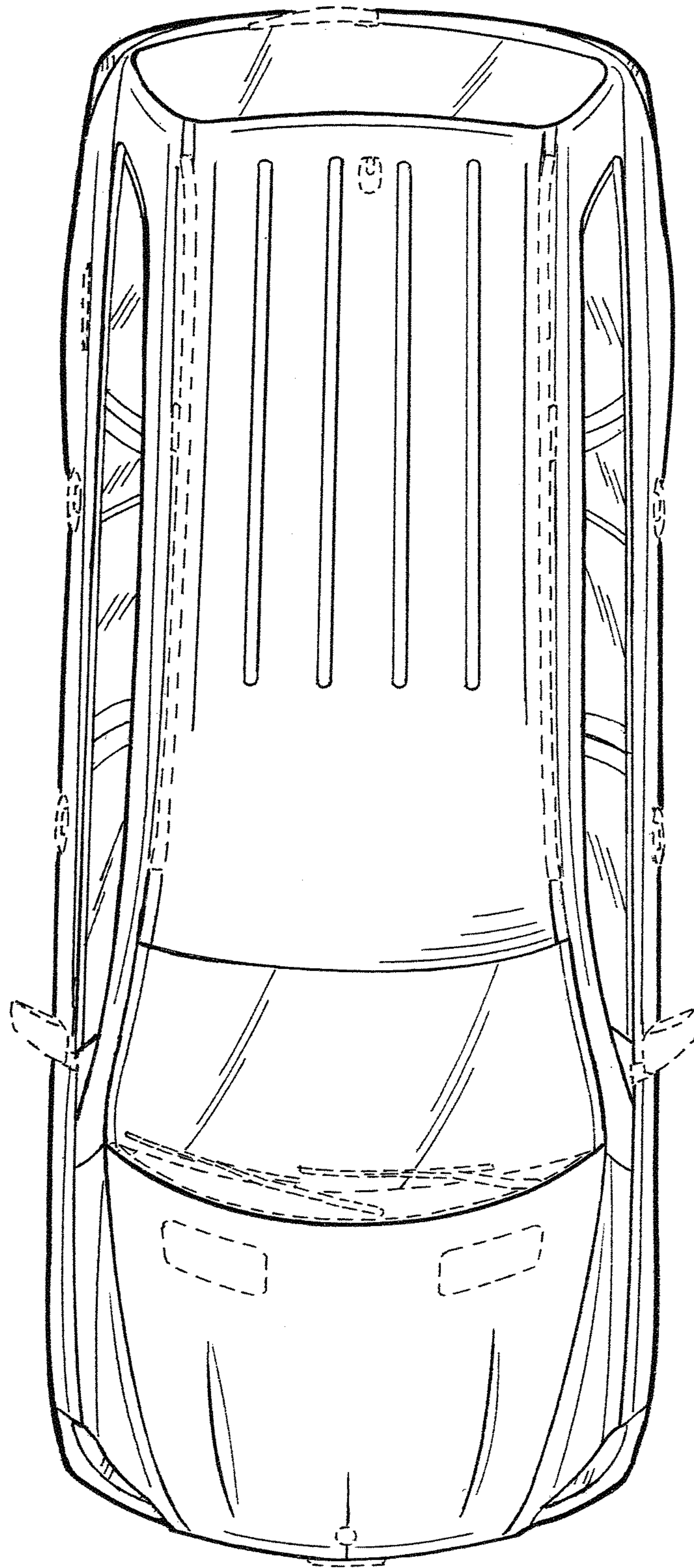


FIG. 7