



US00D751460S

(12) **United States Design Patent**
Jankowski

(10) **Patent No.:** **US D751,460 S**
(45) **Date of Patent:** **** Mar. 15, 2016**

- (54) **FASTENER**
- (71) Applicant: **DIAMOND DUST DESIGN LLC**,
Lannon, WI (US)
- (72) Inventor: **Tamara L. Jankowski**, Lannon, WI
(US)
- (73) Assignee: **DIAMOND DUST DESIGN LLC**,
Lannon, WI (US)
- (**) Term: **14 Years**
- (21) Appl. No.: **29/500,655**
- (22) Filed: **Aug. 27, 2014**
- (51) **LOC (10) Cl.** **02-07**
- (52) **U.S. Cl.**
USPC **D11/200**
- (58) **Field of Classification Search**
USPC D11/208, 209, 78.1, 222, 213, 226, 216,
D11/218, 200, 201, 206, 207; 450/1, 58;
24/591.1, 592.1, 592.11; 112/407;
2/265; D2/707, 705, 639; D3/207;
D8/391
CPC A44C 3/00; A44B 13/00; A44B 13/0011;
A41C 3/12; A41C 1/14
See application file for complete search history.

6,244,073 B1	6/2001	Kaping, Jr.	
D492,619 S *	7/2004	Udolph	D11/200
7,189,024 B2	3/2007	Cameron	
7,698,836 B2 *	4/2010	Schmelzer	A43B 3/0078 24/114.11
D642,896 S *	8/2011	Buras, Jr.	D11/200
8,096,023 B2	1/2012	Orza	
D686,943 S *	7/2013	Watson	D11/201
2012/0096683 A1	4/2012	Suriano	

* cited by examiner

Primary Examiner — Ralf Seifert

(74) *Attorney, Agent, or Firm* — Ryan Kromholz & Manion,
S.C.

(57) **CLAIM**

The ornamental design for a fastener, as shown and described.

DESCRIPTION

FIG. 1 is a perspective view of a first embodiment of a fastener according to the present invention.

FIG. 2 is a left side elevation view of the embodiment of FIG. 1, to which a right side elevation view is identical.

FIG. 3 is a front side elevation view of the embodiment of FIG. 1, to which a rear side elevation view is identical.

FIG. 4 is a bottom plan view of the embodiment of FIG. 1.

FIG. 5 is a top plan view of the embodiment of FIG. 1.

FIG. 6 is a perspective view of a second embodiment of a fastener according to the present invention.

FIG. 7 is a left side elevation view of the embodiment of FIG. 6, to which a right side elevation view is identical.

FIG. 8 is a front side elevation view of the embodiment of FIG. 6, to which a rear side elevation view is identical.

FIG. 9 is a bottom plan view of the embodiment of FIG. 6; and,

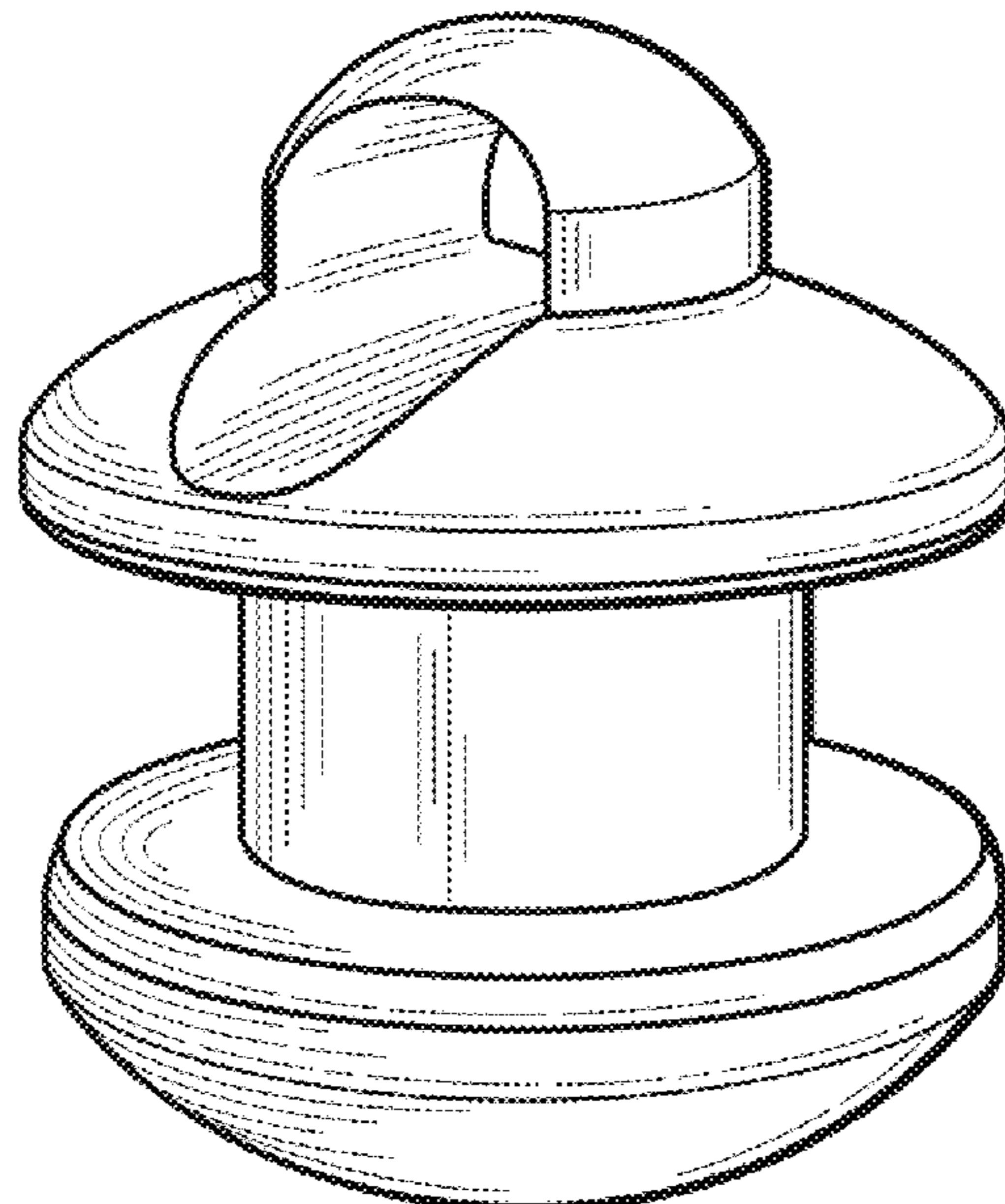
FIG. 10 is a top plan view of the embodiment of FIG. 6.

(56) **References Cited**

U.S. PATENT DOCUMENTS

D53,376 S *	5/1919	Rauch	24/114.11
1,974,160 A *	9/1934	Peirson	A44B 15/00 16/365
4,202,243 A *	5/1980	Leonhardt	F16B 5/04 29/524.1

1 Claim, 2 Drawing Sheets



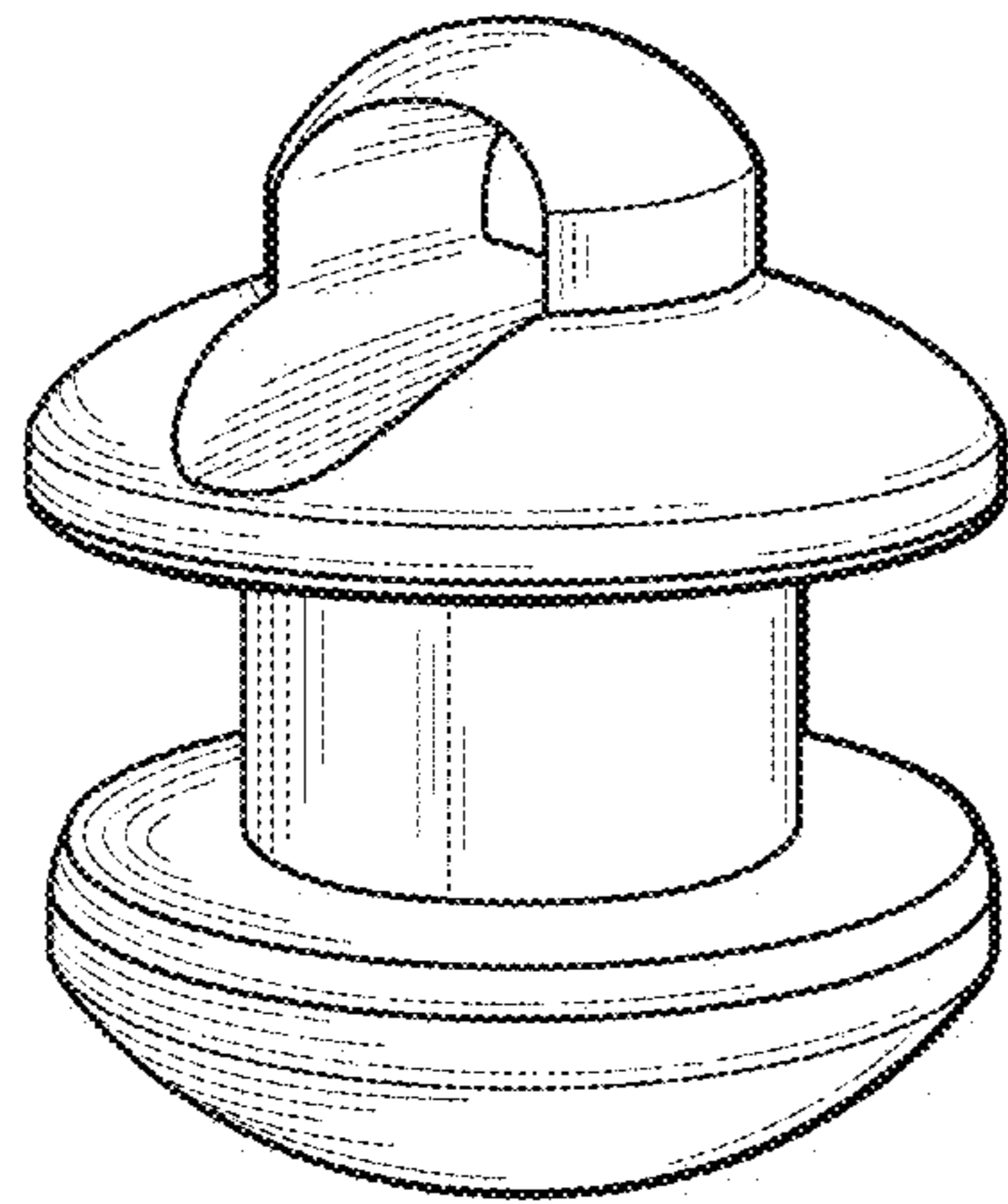


Fig. 1

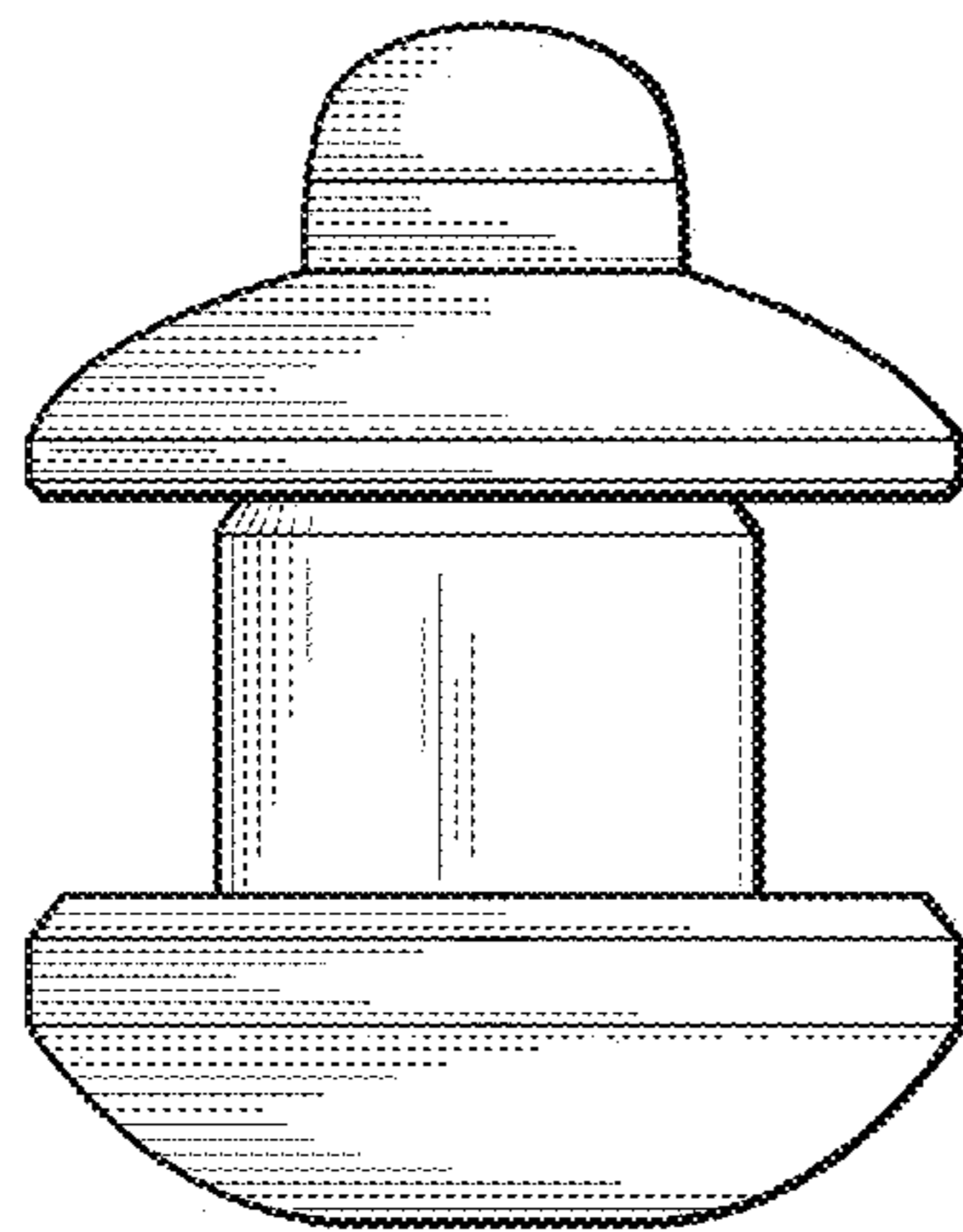


Fig. 3

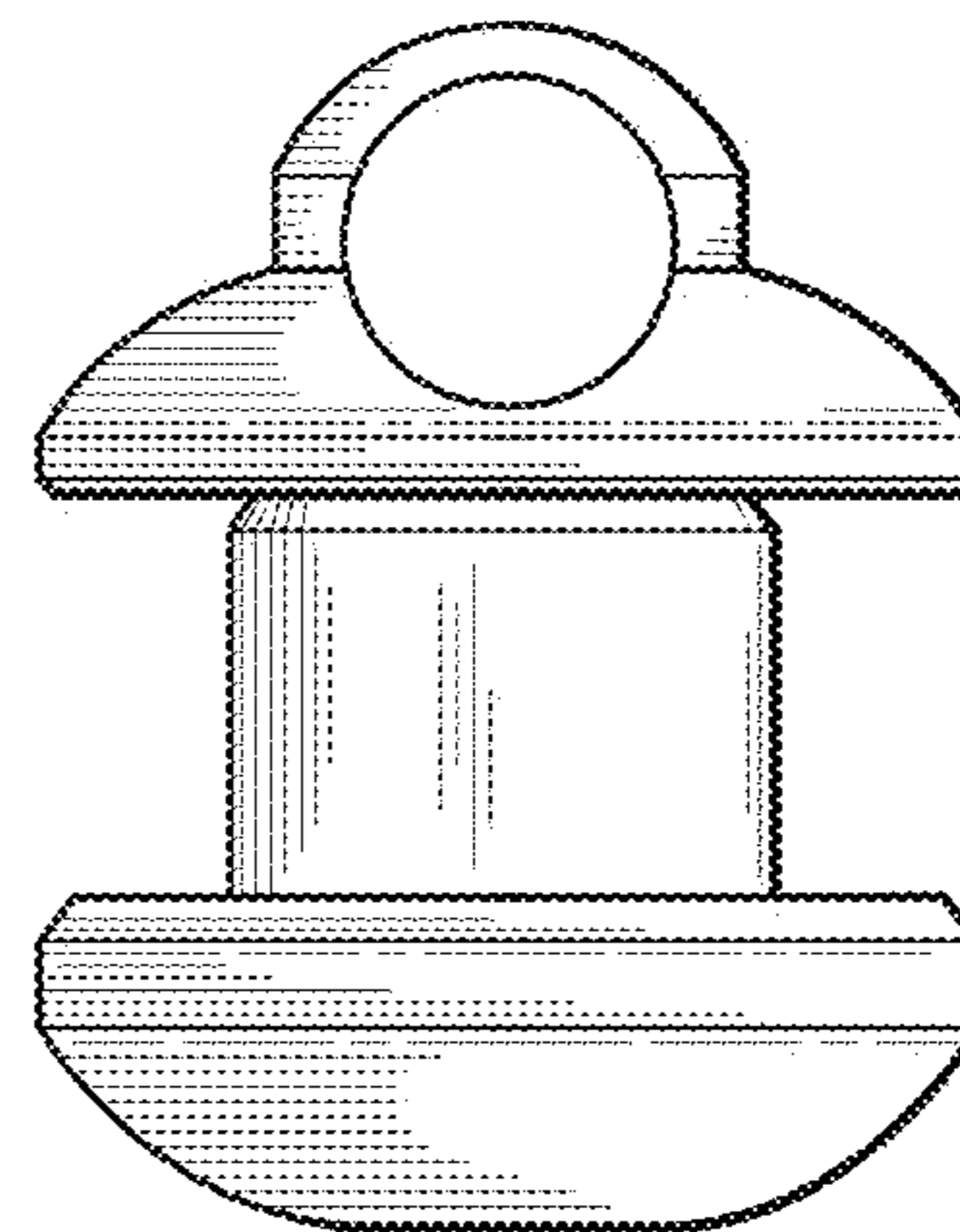


Fig. 2

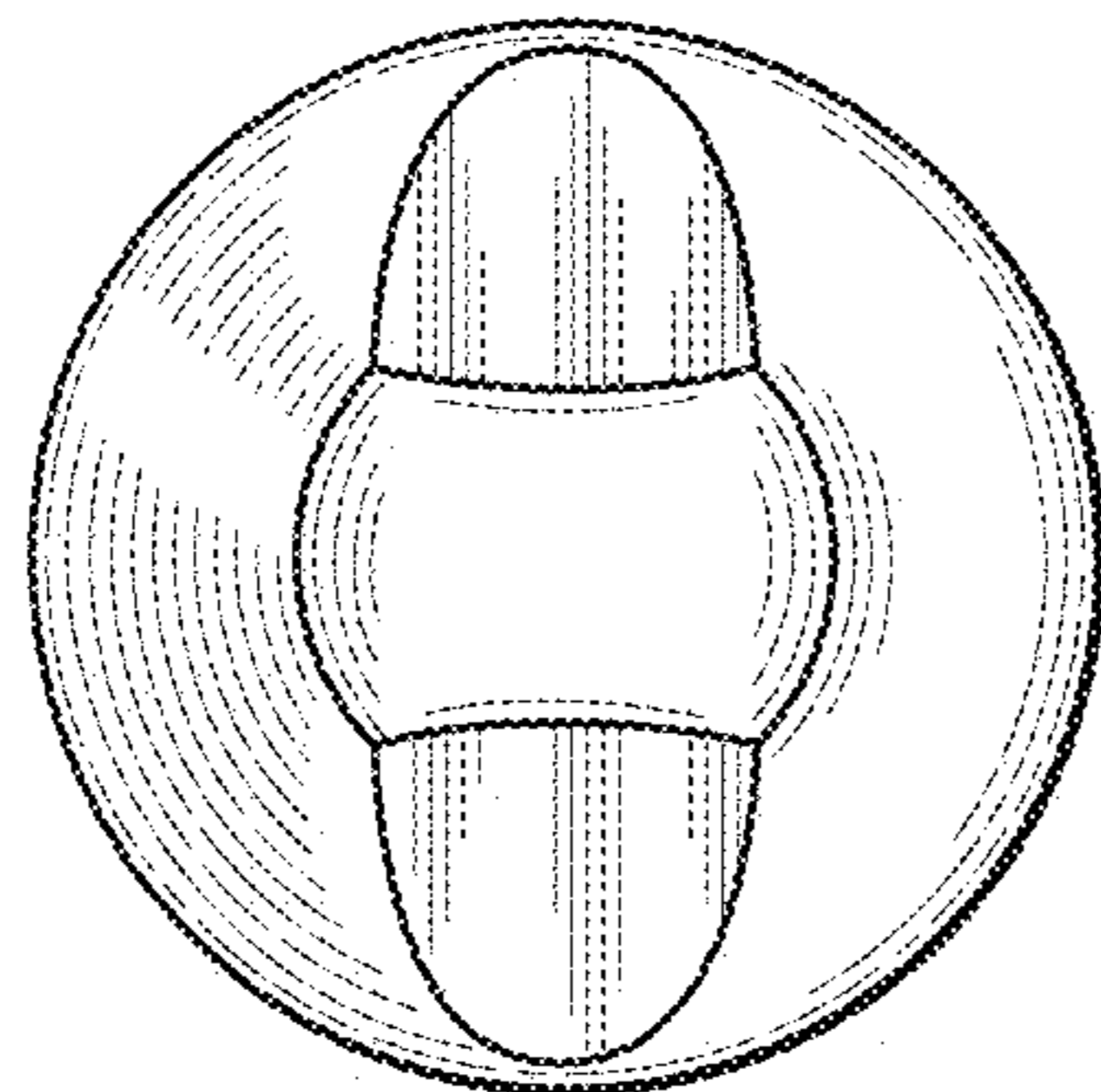


Fig. 5

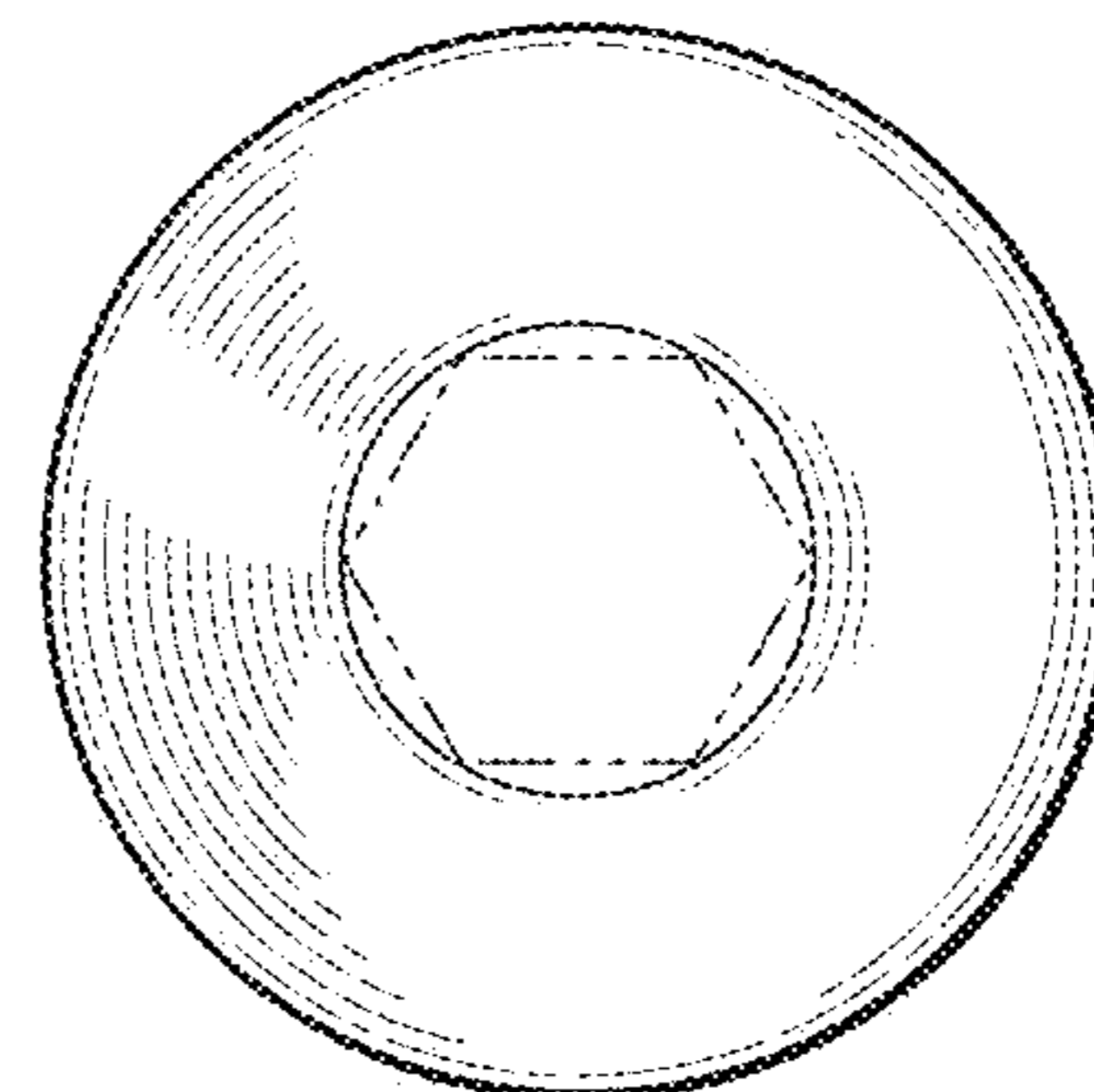


Fig. 4

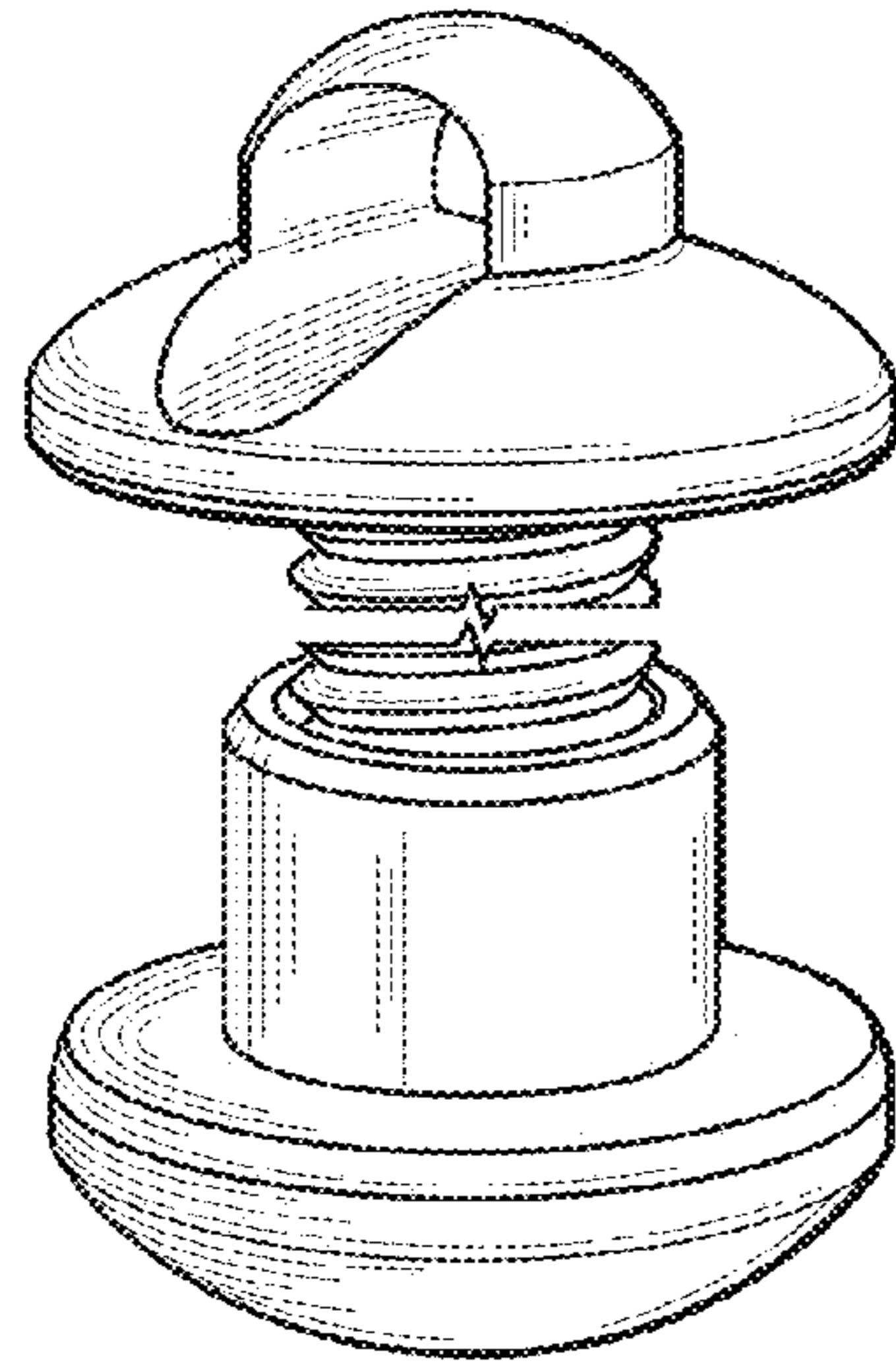


Fig. 6

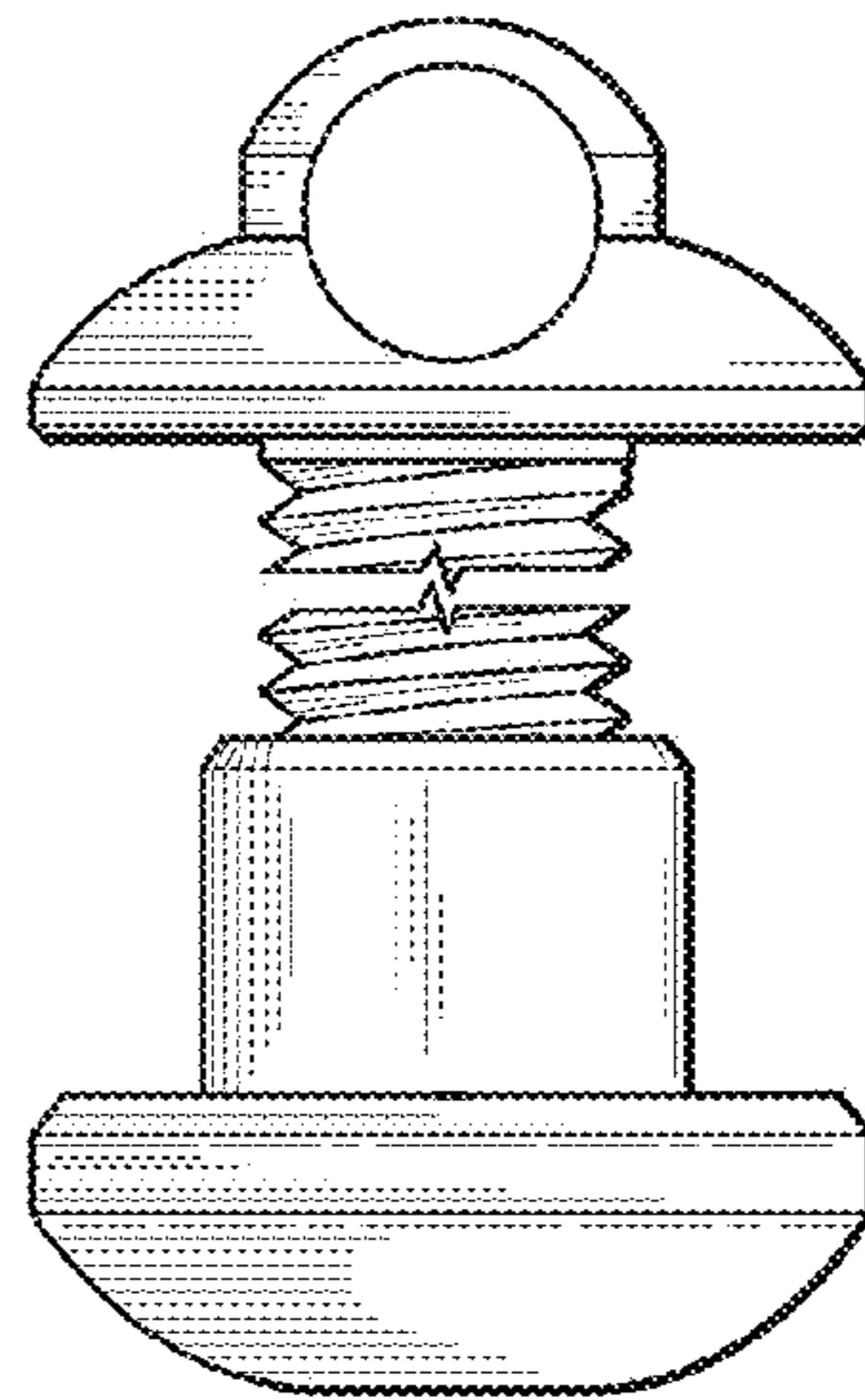


Fig. 7

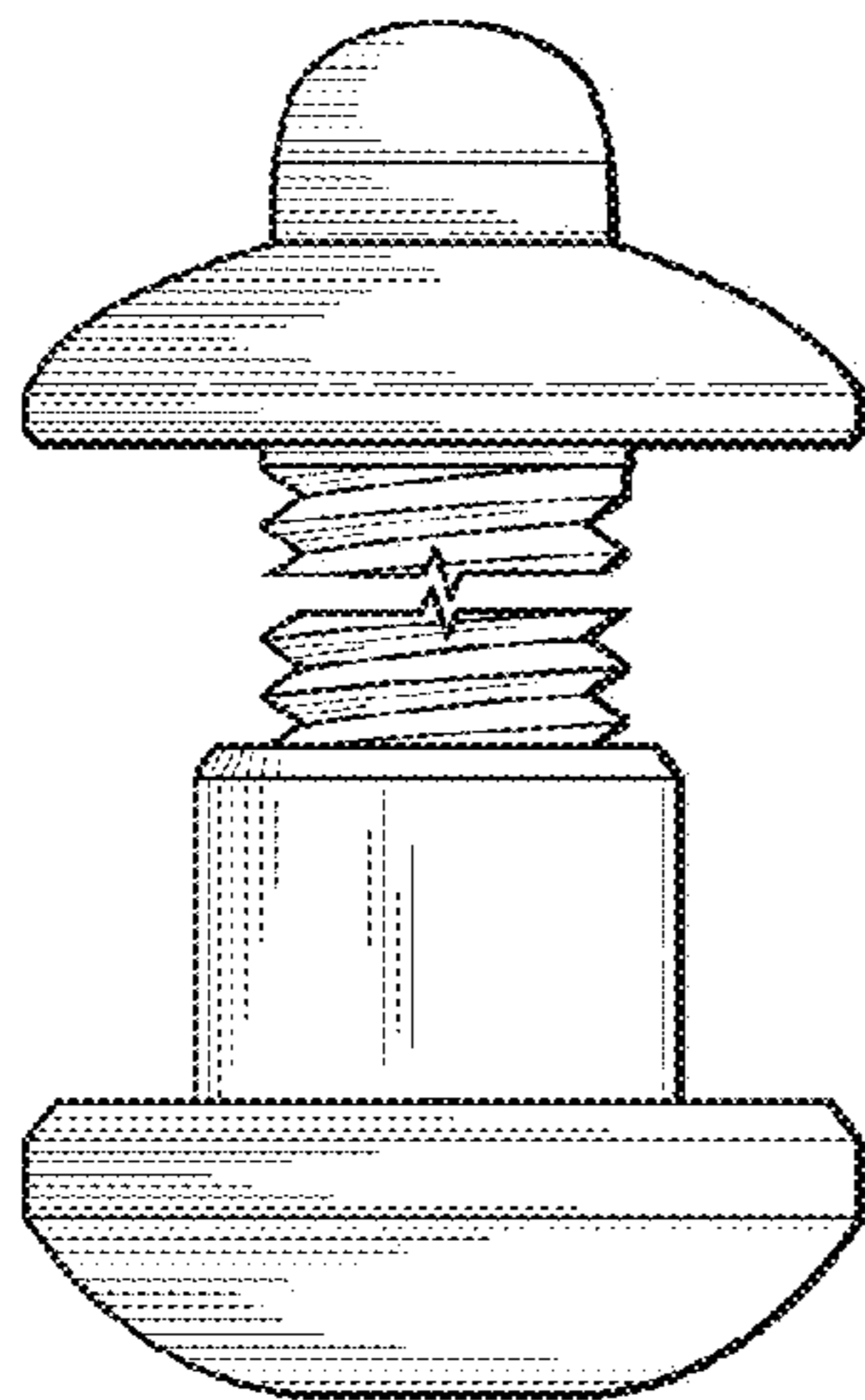


Fig. 8

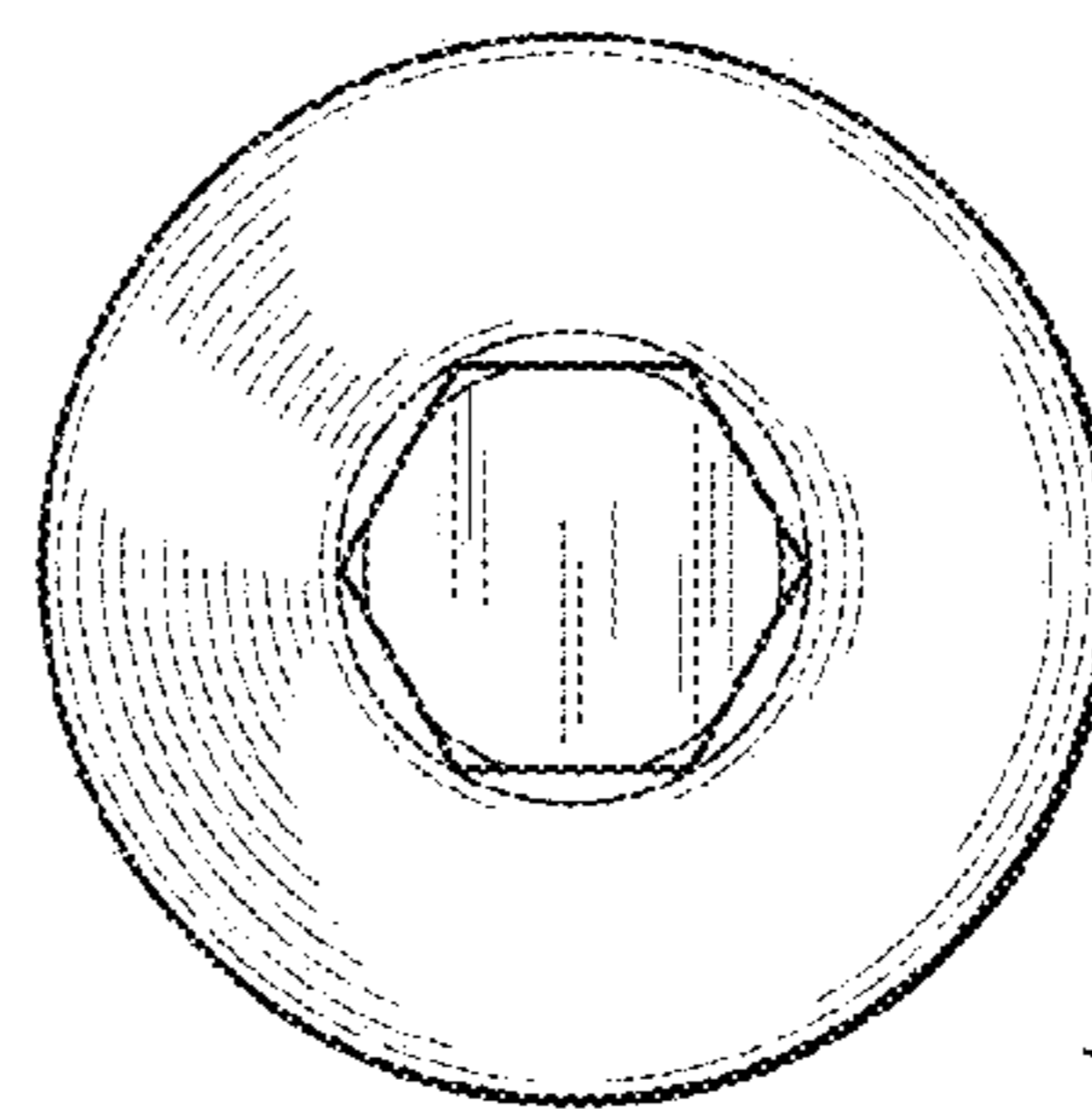


Fig. 9

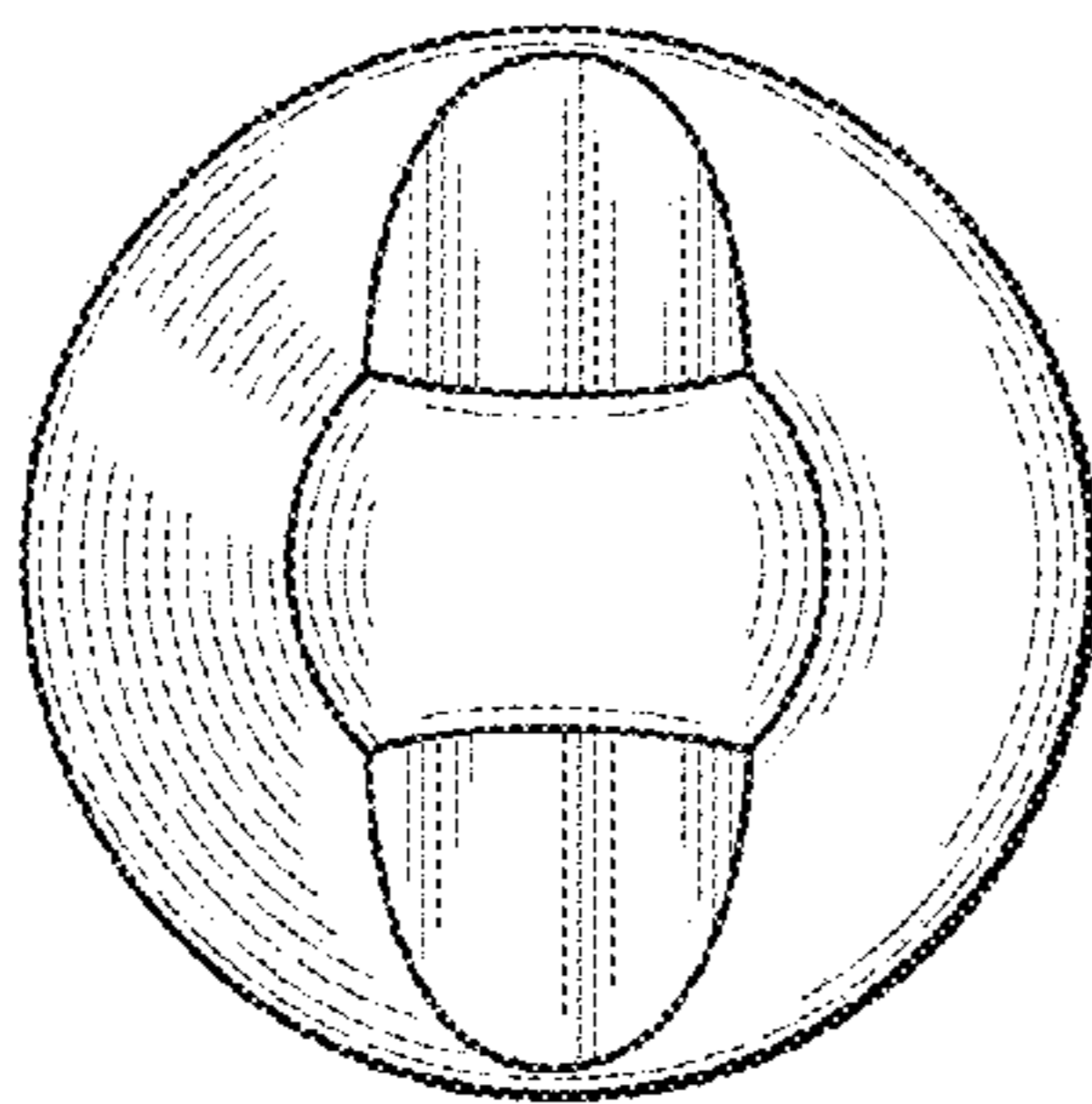


Fig. 10