



US00D751455S

(12) **United States Design Patent**  
**Bogetti**

(10) **Patent No.:** **US D751,455 S**  
(45) **Date of Patent:** **\*\* Mar. 15, 2016**

(54) **CROSS PENDANT**

(71) Applicant: **Stephanie Bogetti**, East Hampton, NY  
(US)

(72) Inventor: **Stephanie Bogetti**, East Hampton, NY  
(US)

(\*\*) Term: **14 Years**

(21) Appl. No.: **29/490,018**

(22) Filed: **May 6, 2014**

(51) **LOC (10) Cl.** ..... **11-03**

(52) **U.S. Cl.**  
USPC ..... **D11/96**

(58) **Field of Classification Search**  
USPC ..... D11/30, 40, 44, 48, 60, 79, 81, 86,  
D11/95-116, 125, 131, 133, 149, 157, 211,  
D11/217, 219, 223, 1; 63/1.11, 1.12, 1.13,  
63/1.14, 1.16, 1.18, 13, 14.1, 35, 39, 19;  
D99/17, 23, 25, 27, 30; 428/3; D8/348  
CPC ..... A44C 15/001; A44C 9/0053; A44C  
15/0015; A44C 1/00; A44C 15/00; A44C  
7/00; A44C 25/004; A44C 5/0092; A44C  
11/002; A47G 33/02  
See application file for complete search history.

(56) **References Cited**

**U.S. PATENT DOCUMENTS**

D162,155 S	*	2/1951	Gray	.....	D11/96
D242,818 S	*	12/1976	Wood	.....	D11/81
D258,544 S	*	3/1981	Benedetto	.....	D11/96
D281,959 S	*	12/1985	Balbuena	.....	D11/116
D299,579 S	*	1/1989	Jones	.....	D11/96
D300,079 S	*	2/1989	Smith	.....	D11/96
D305,216 S	*	12/1989	Aucoin	.....	D11/105
D365,781 S	*	1/1996	Osborn	.....	D11/96
D417,834 S	*	12/1999	Rompel	.....	D8/348
D435,712 S	*	12/2000	Knudsen	.....	D99/27
D475,170 S	*	5/2003	Garcia	.....	D99/27

D602,808 S	*	10/2009	Small	.....	D11/101
D610,481 S	*	2/2010	Sandberg	.....	D11/1
D633,410 S	*	3/2011	Walsh	.....	D11/95
D637,939 S	*	5/2011	Small	.....	D11/101
D644,556 S	*	9/2011	Small	.....	D11/101
D654,826 S	*	2/2012	Klinker	.....	D11/96
D673,873 S	*	1/2013	Small	.....	D11/79

\* cited by examiner

*Primary Examiner* — T. Chase Nelson

*Assistant Examiner* — Mark Cavanna

(74) *Attorney, Agent, or Firm* — Notaro, Michalos & Zaccaria P.C.

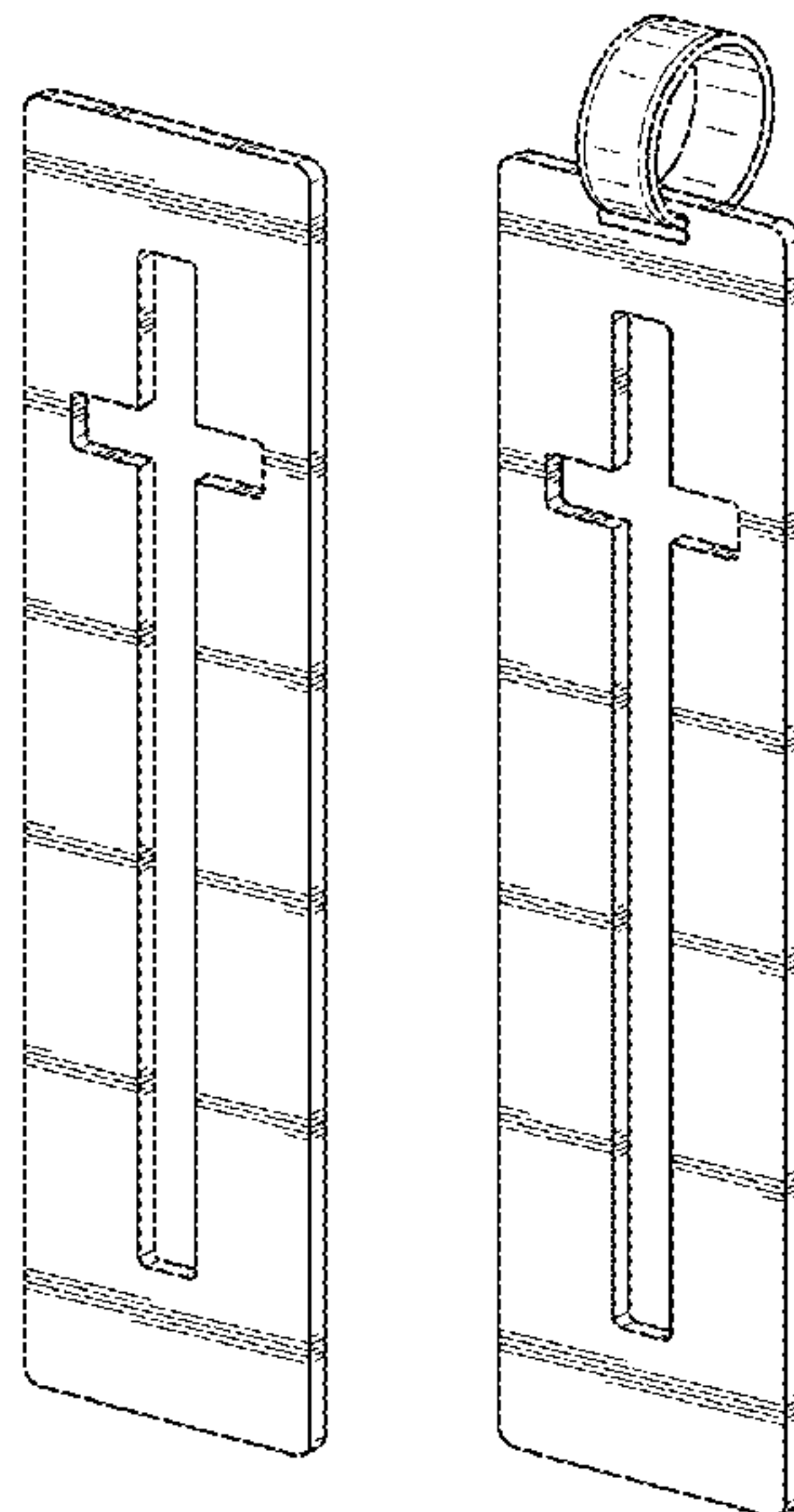
(57) **CLAIM**

The ornamental design for a cross pendant, as shown and described.

**DESCRIPTION**

FIG. 1 is a front, top right perspective view of a cross pendant showing my new design therefor;  
 FIG. 2 is a front elevational view thereof;  
 FIG. 3 is a top plan view, the bottom being identical;  
 FIG. 4 is a left side elevational view, the right side being identical;  
 FIG. 5 is a view similar to FIG. 1 of a second embodiment of my design;  
 FIG. 6 is a front elevational view thereof;  
 FIG. 7 is a top plan view thereof;  
 FIG. 8 is a bottom plan view thereof;  
 FIG. 9 is a left elevational view thereof, the right being identical;  
 FIG. 10 is a front, top left perspective view of a third embodiment of my invention;  
 FIG. 11 is a front elevational view thereof;  
 FIG. 12 is a top plan view thereof;  
 FIG. 13 is a bottom plan view thereof; and,  
 FIG. 14 is a side elevational view thereof, the opposite side being identical.

**1 Claim, 3 Drawing Sheets**



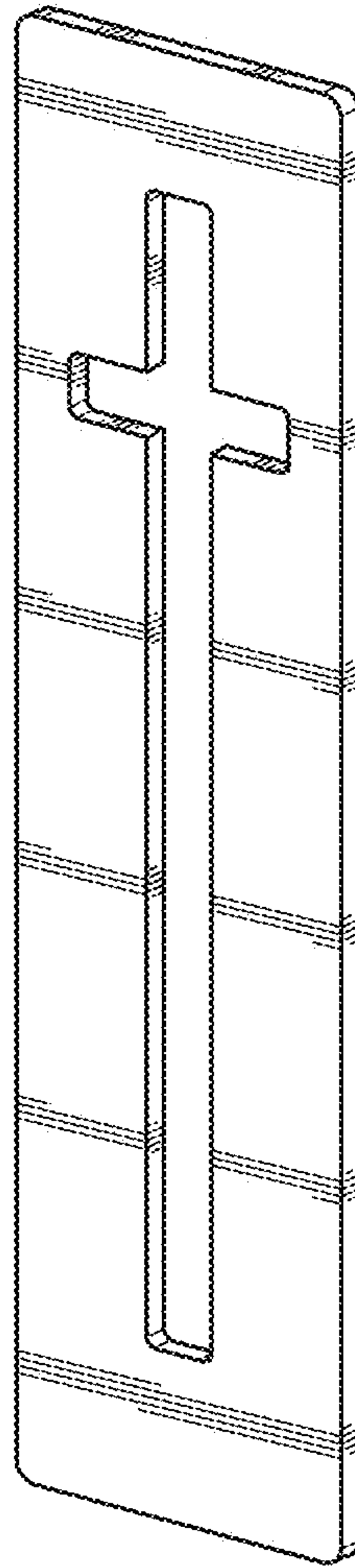


FIG. 1

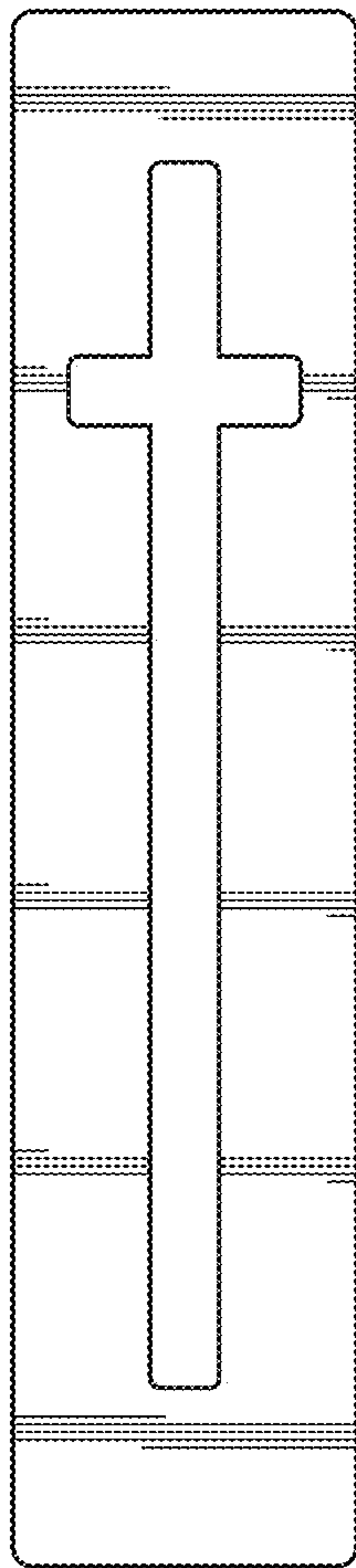


FIG. 2

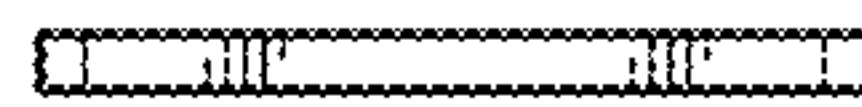


FIG. 3

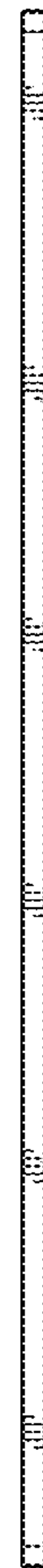


FIG. 4

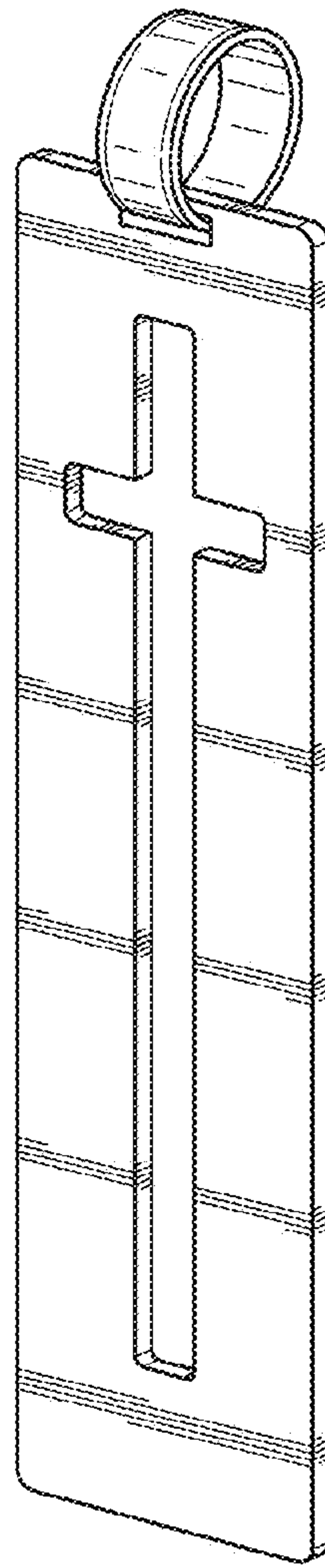


FIG. 5

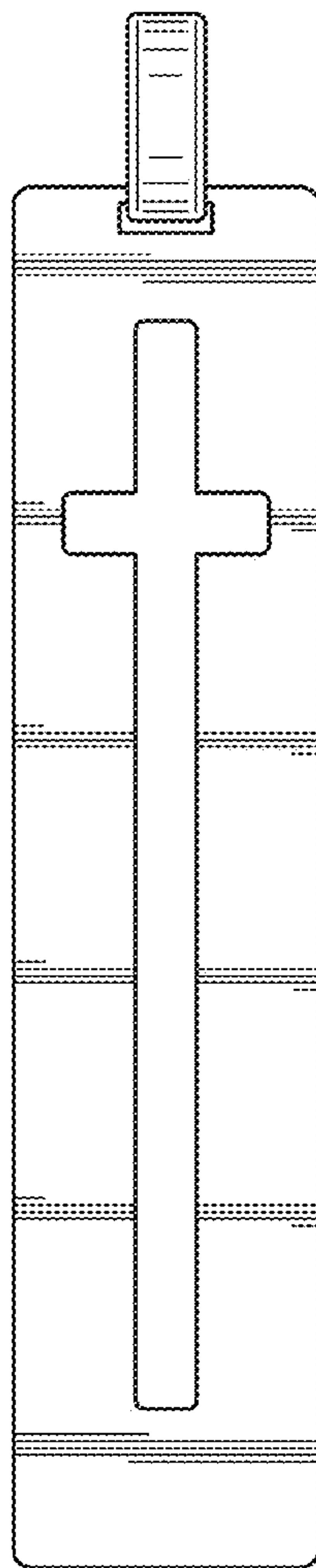


FIG. 6

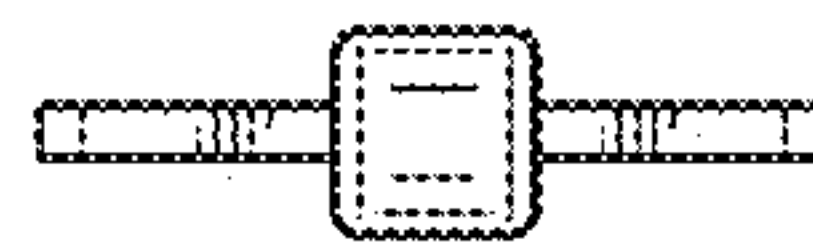


FIG. 7



FIG. 8

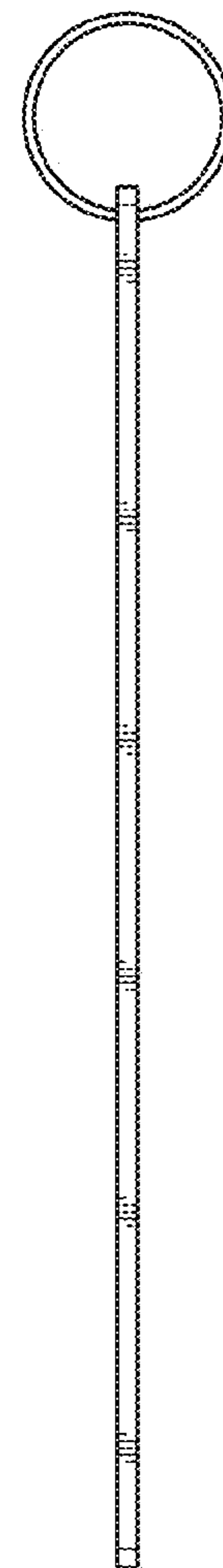


FIG. 9

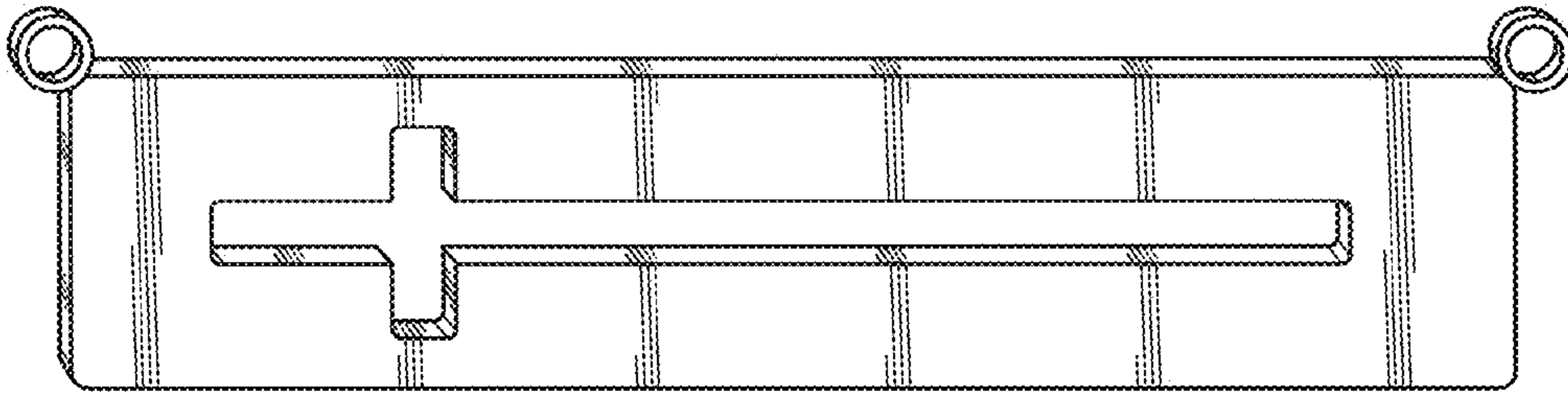


FIG. 10

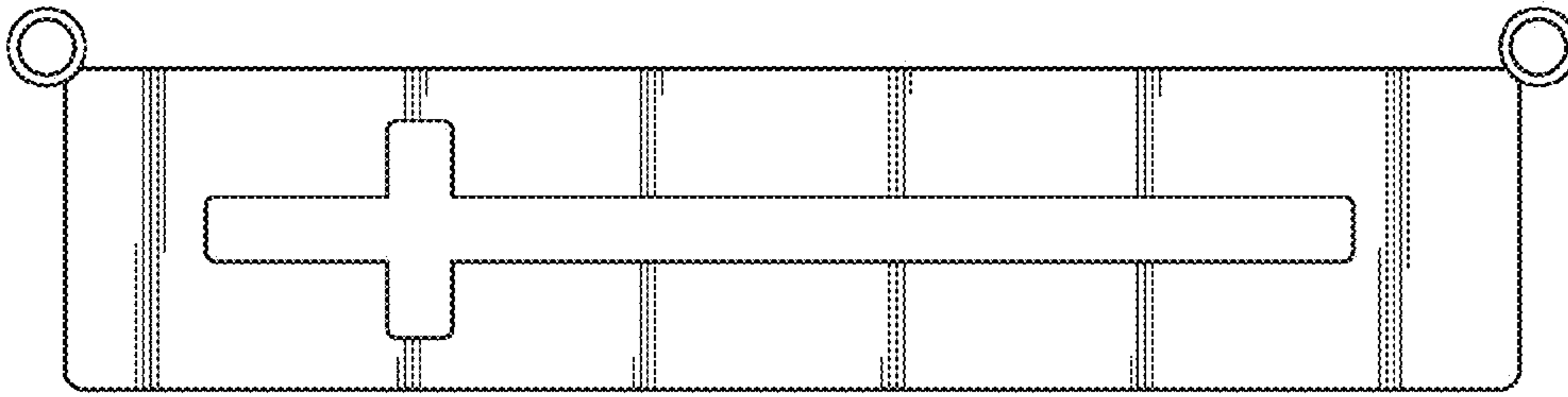


FIG. 11

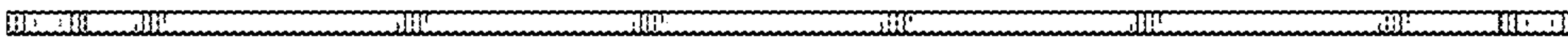


FIG. 12

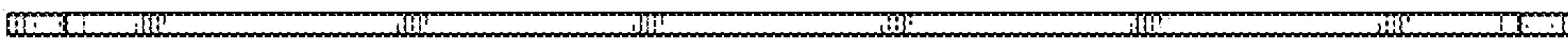


FIG. 13



FIG. 14