



US00D751451S

(12) **United States Design Patent**
Kwon

(10) **Patent No.:** **US D751,451 S**
(45) **Date of Patent:** **** Mar. 15, 2016**

(54) **EARRING**

(71) Applicant: **HARRY WINSTON SA,**
Plan-les-Ouates (CH)

(72) Inventor: **Chaeree Kwon,** New York, NY (US)

(73) Assignee: **HARRY WINSTON SA,**
Plan-les-Ouates (CH)

(**) Term: **14 Years**

(21) Appl. No.: **29/510,249**

(22) Filed: **Nov. 26, 2014**

(30) **Foreign Application Priority Data**

May 27, 2014 (WO) DM/083 684

(51) **LOC (10) Cl.** **11-01**

(52) **U.S. Cl.**
USPC **D11/42**

(58) **Field of Classification Search**
USPC D11/1, 2, 40-48, 79, 80, 81, 86, 87, 88,
D11/91, 92
CPC A44C 7/00; A44C 7/002; A44C 7/003;
A44C 7/004; A44C 7/005; A44C 7/006;
A44C 7/007; A44C 7/008; A44C 7/009;
A44C 17/02; A44C 17/0208; A44C 17/0216;
A44C 17/0255; A44C 17/0233; A44C
17/0241; A44C 17/025; A44C 17/0258;
A44C 17/0266; A44C 25/00; A44C 25/001;
A44C 25/007

See application file for complete search history.

(56) **References Cited**

U.S. PATENT DOCUMENTS

D126,797 S * 4/1941 Philippe D11/69
D135,782 S * 6/1943 Levy D11/40
D161,043 S * 11/1950 Philippe D11/41
D166,319 S * 4/1952 Katz D11/41
D167,084 S * 6/1952 Katz D11/41
D175,614 S * 9/1955 Katz D11/69

D177,130 S * 3/1956 Katz D11/45
D177,135 S * 3/1956 Katz D11/40
D177,520 S * 4/1956 Katz D11/41
5,452,589 A * 9/1995 Carter A44C 7/009
63/14.1
D727,773 S * 4/2015 Kwon D11/42
D727,775 S * 4/2015 Yatsugi-Kang D11/45
D729,107 S * 5/2015 Riviere D11/42

OTHER PUBLICATIONS

[Online] http://www.rauantiques.com/images/products/29/2806/traditional/detail/29-2806_1.jpg. Retrieved Dec. 9, 2015.*
[Online] <http://www.polyvore.com/cgi/img-thing?.out=jpg&size=1&tid=108486084>. Retrieved Dec. 9, 2015.*
[Online] <http://www.jewelsdujour.com/wp-content/uploads/2013/11/Van-Cleef-Arpeles-Diamond-Cluster-Earrings-.jpg>. Retrieved Dec. 9, 2015.*
[Online] https://a.1stdibscdn.com/archivesE/jewelry/upload/415/17/XXX_415_1362595087_1.jpg. Retrieved Dec. 9, 2015.*
[Online] https://a.1stdibscdn.com/archivesE/jewelry/upload/119/104/119_1278613350_4.jpg. Retrieved Dec. 9, 2015.*

* cited by examiner

Primary Examiner — Garth Rademaker
Assistant Examiner — Melanie Pellegrini
(74) *Attorney, Agent, or Firm* — Donald J. Ranft; Kristen A. Mogavero; Collen IP

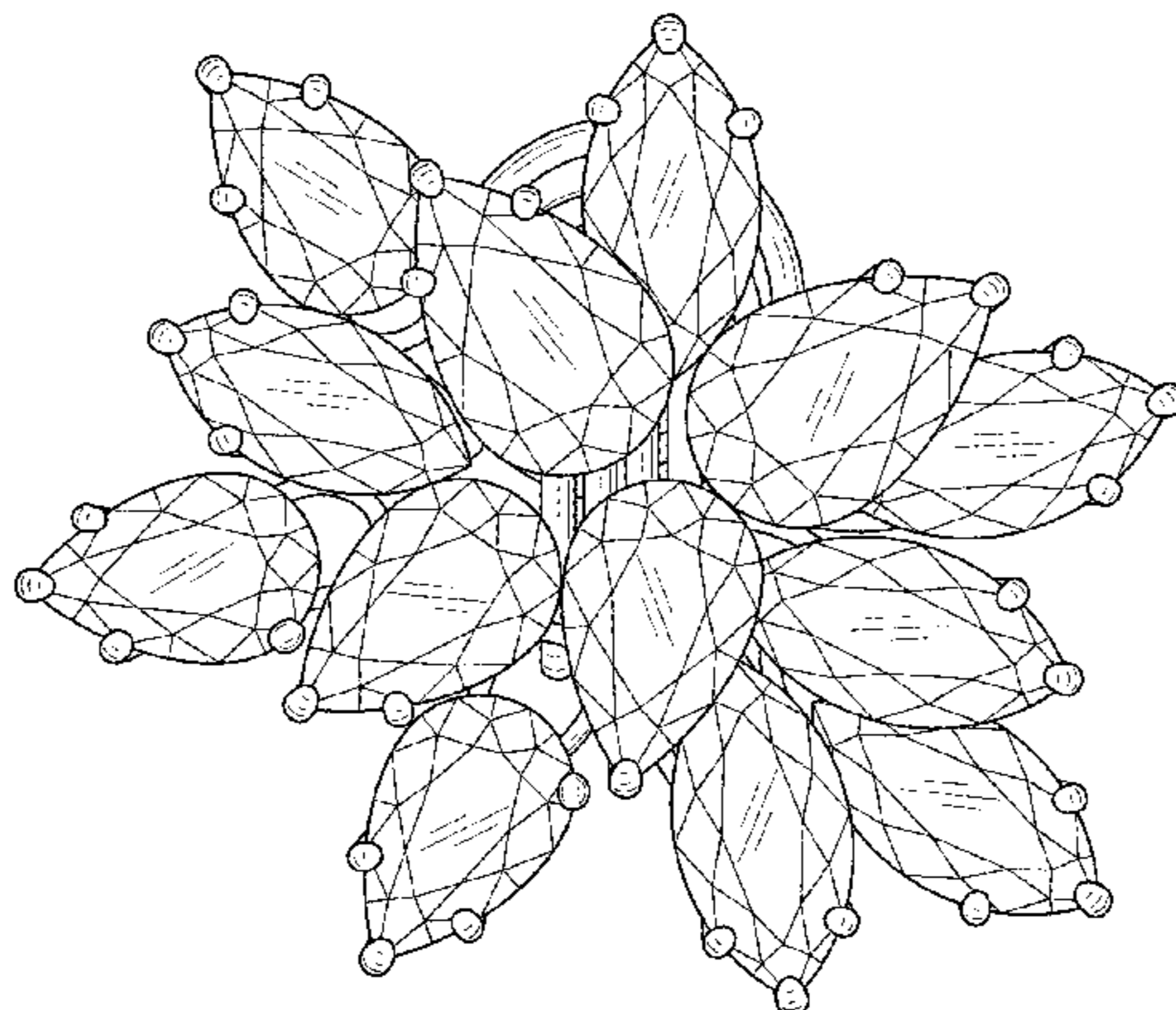
(57) **CLAIM**

The ornamental design for an earring, as shown.

DESCRIPTION

FIG. 1 is a front left perspective view of an earring showing my new design;
FIG. 2 is a front view thereof;
FIG. 3 is a rear view thereof;
FIG. 4 is a left side view thereof;
FIG. 5 is a right side view thereof;
FIG. 6 is a top view thereof;
FIG. 7 is a bottom view thereof; and,
FIG. 8 is a rear right perspective view thereof.

1 Claim, 5 Drawing Sheets



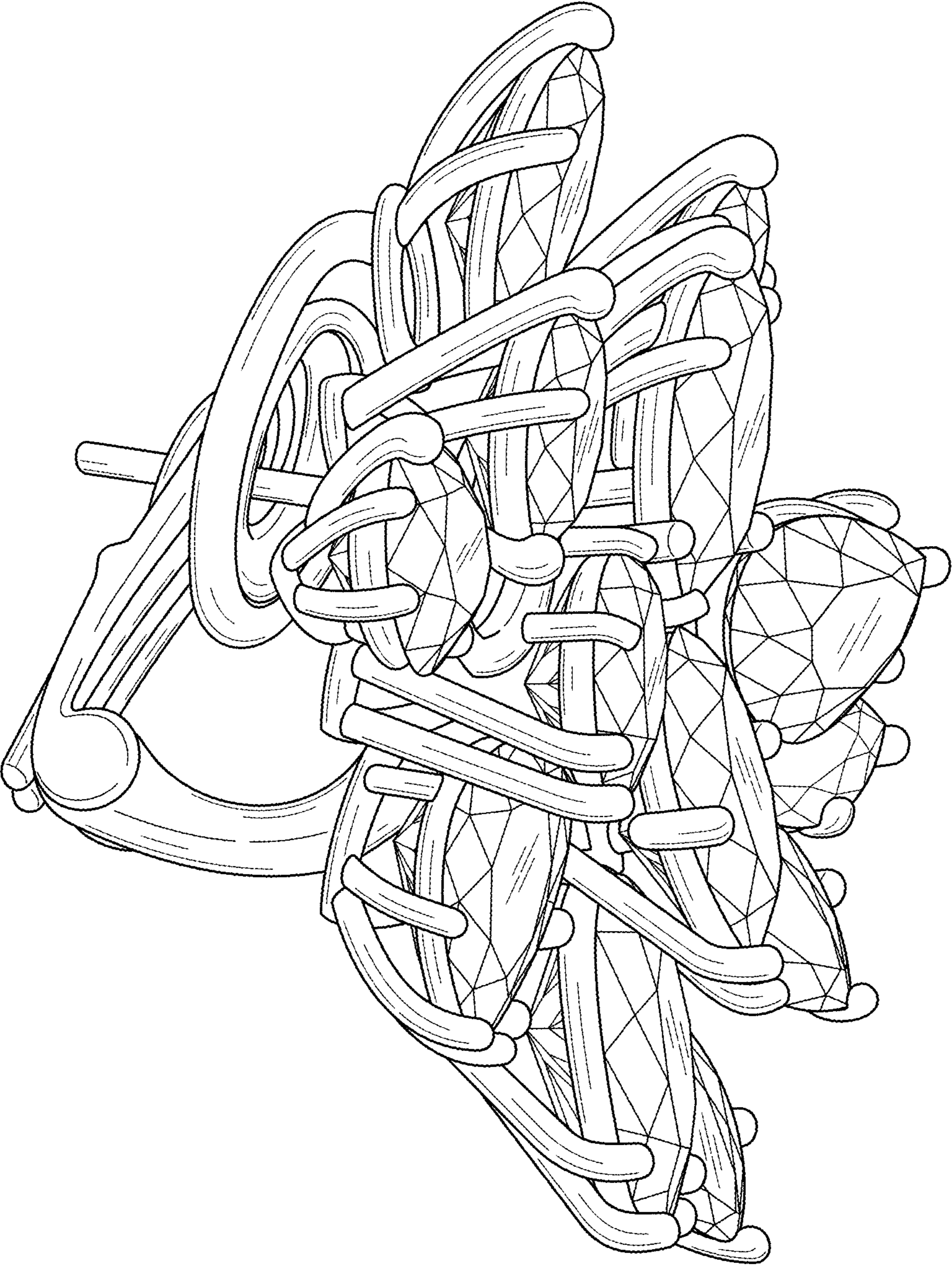


FIG. 1

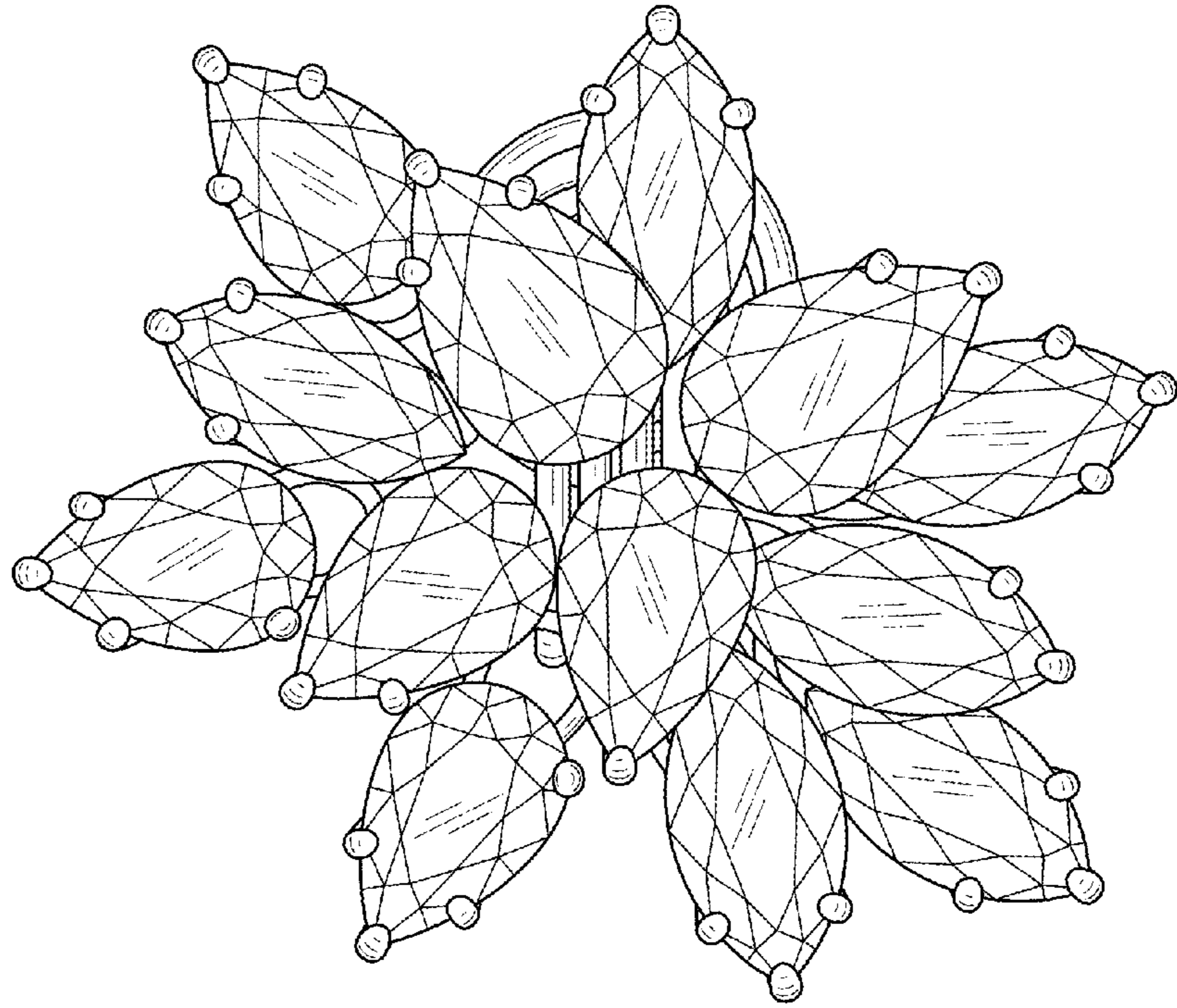


FIG. 2

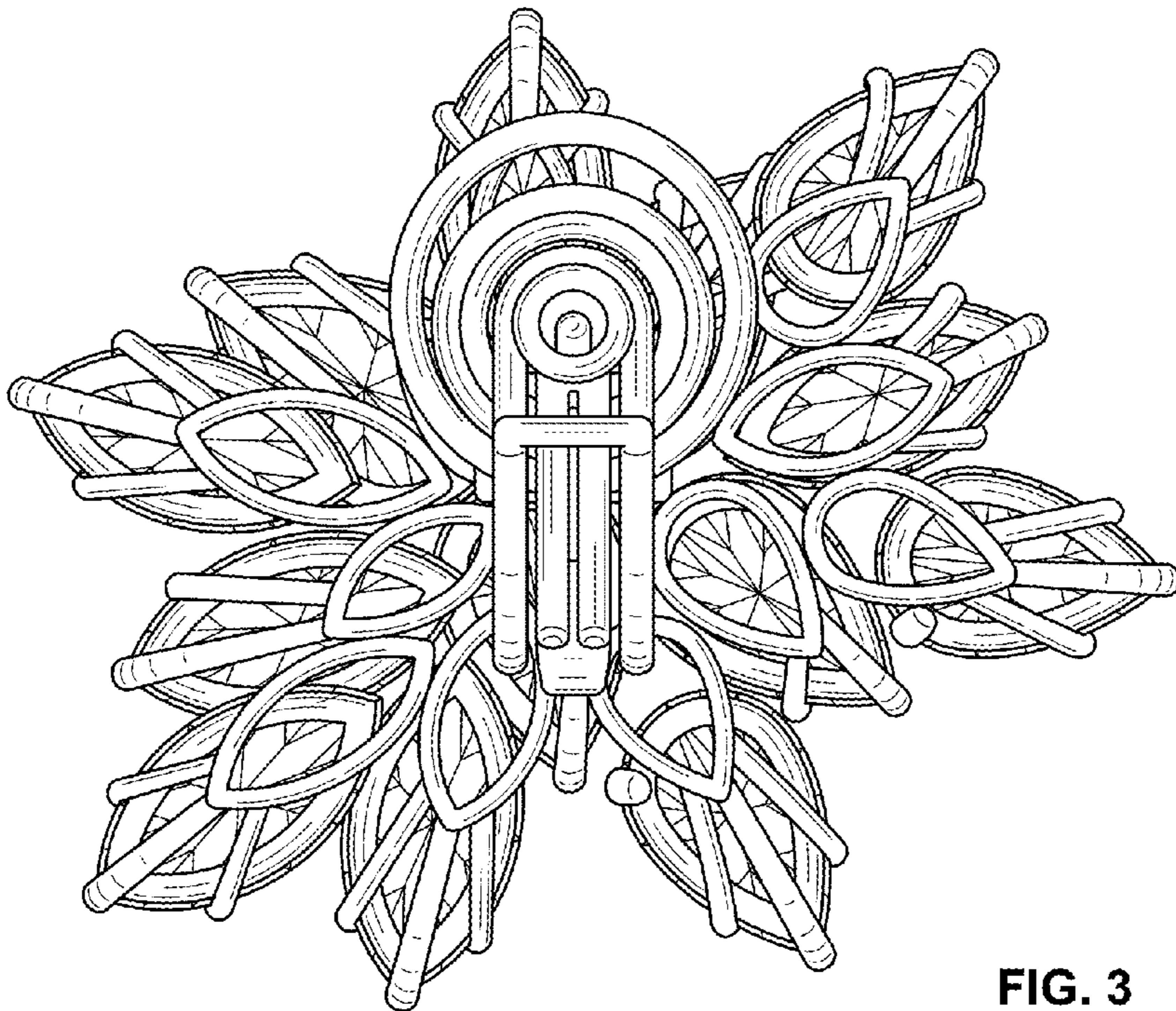


FIG. 3

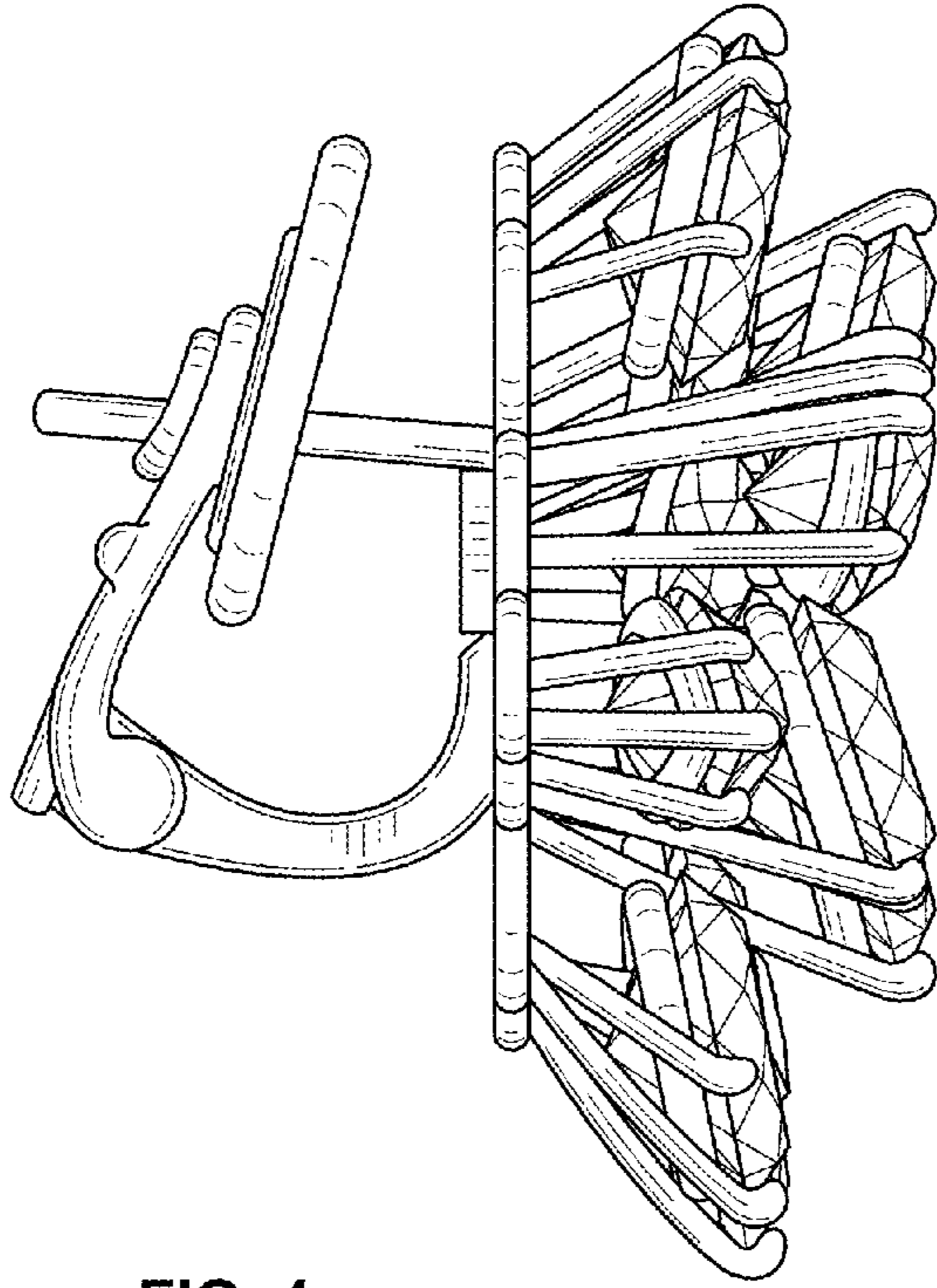


FIG. 4

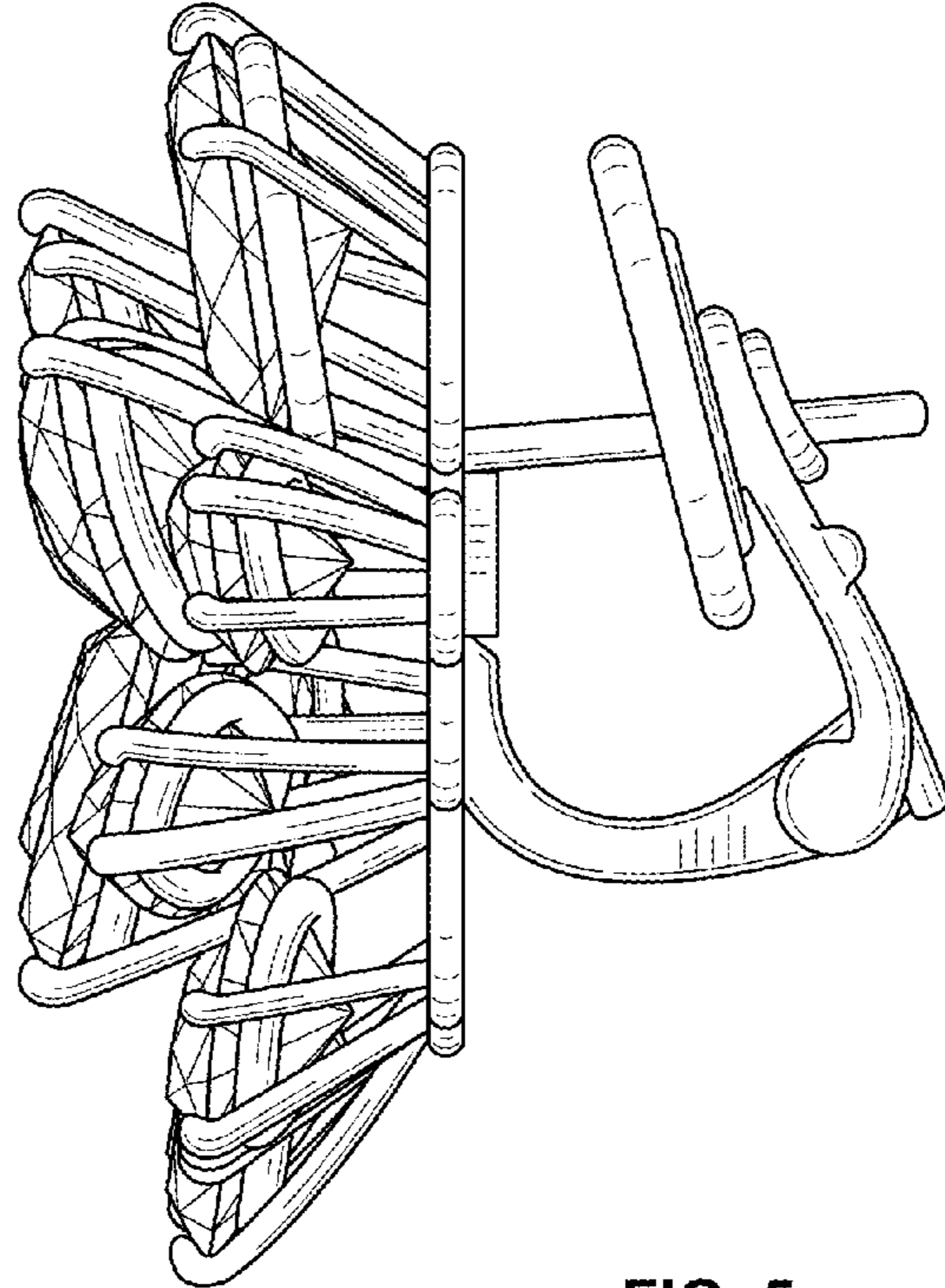


FIG. 5

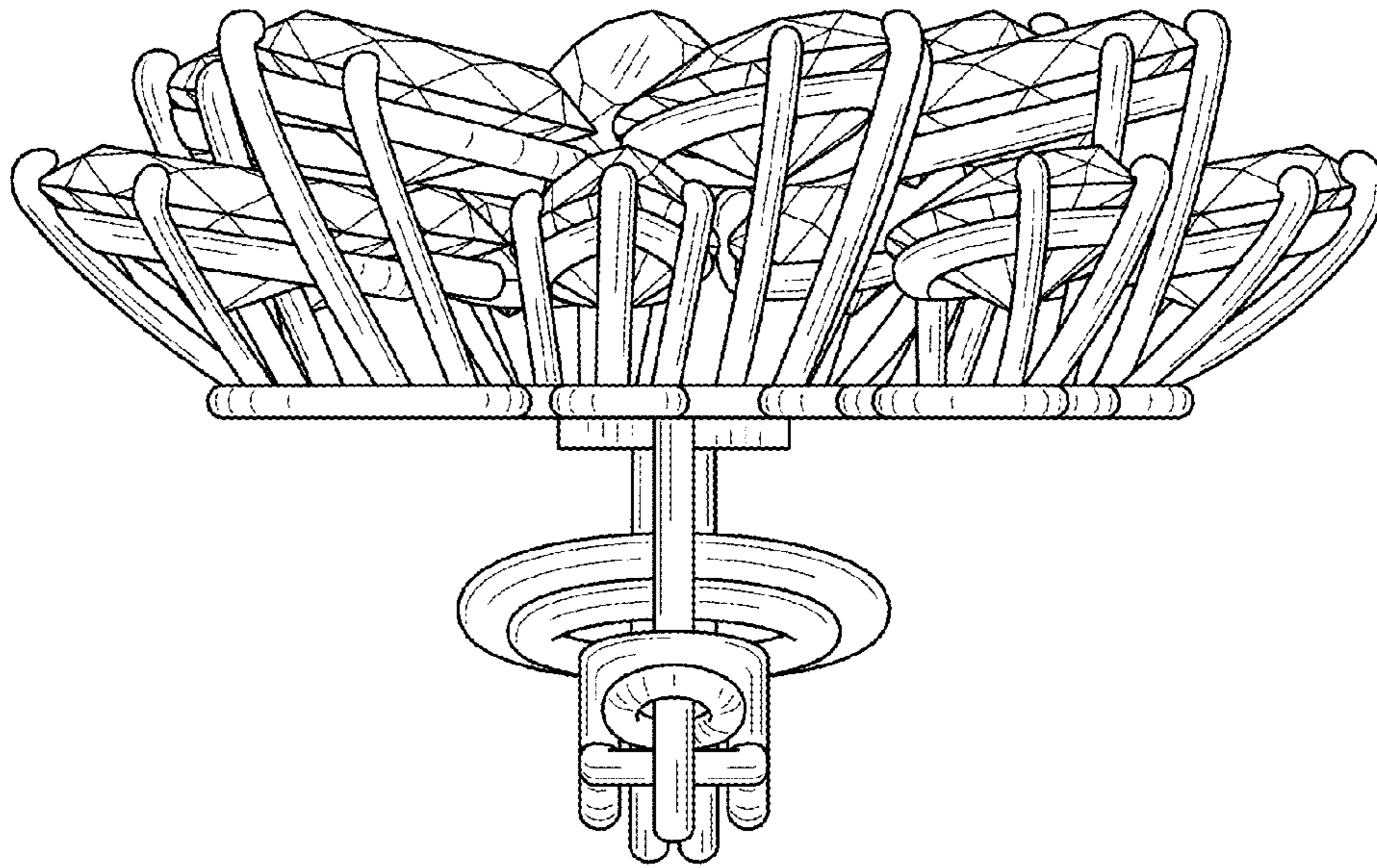


FIG. 6

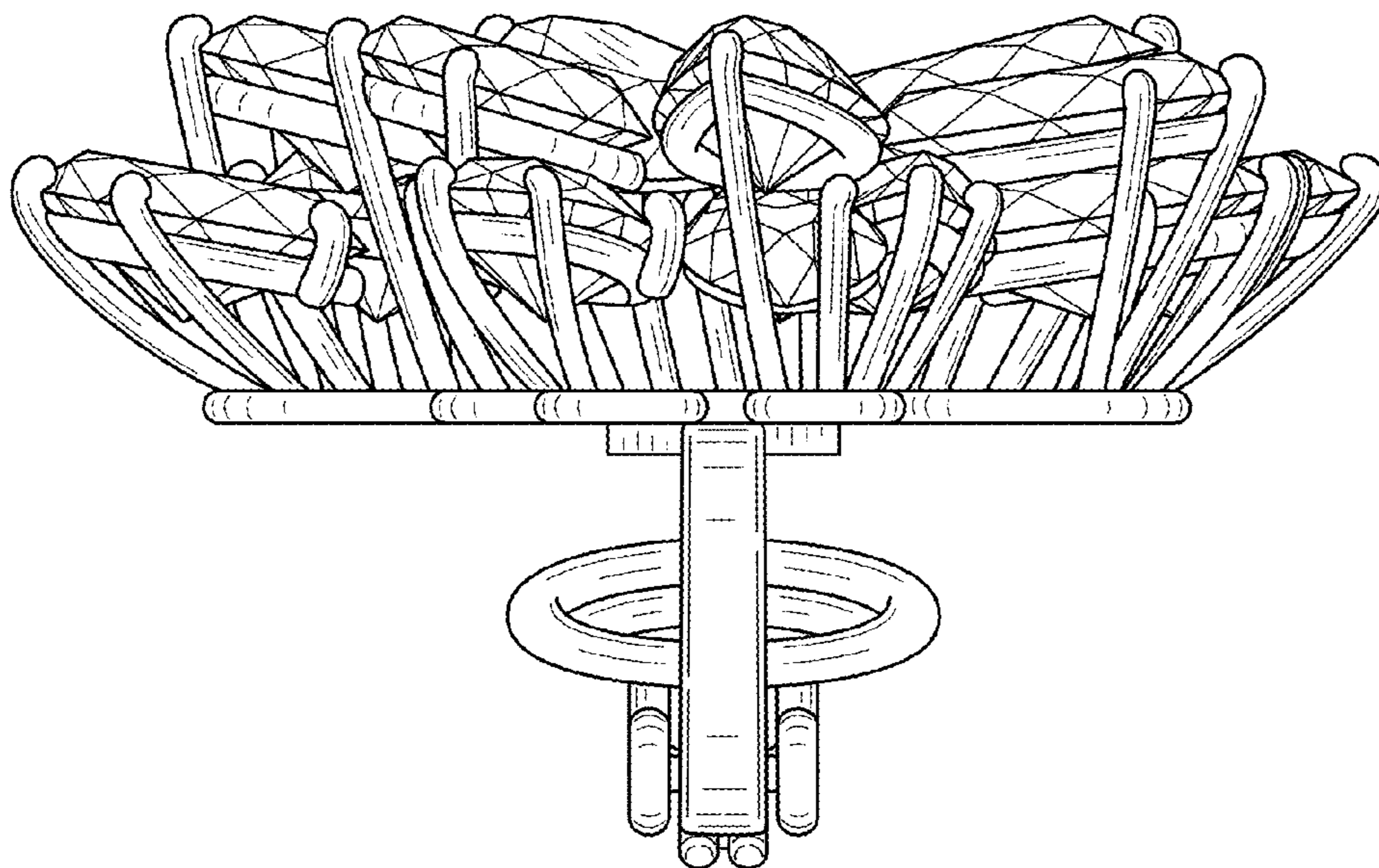


FIG. 7

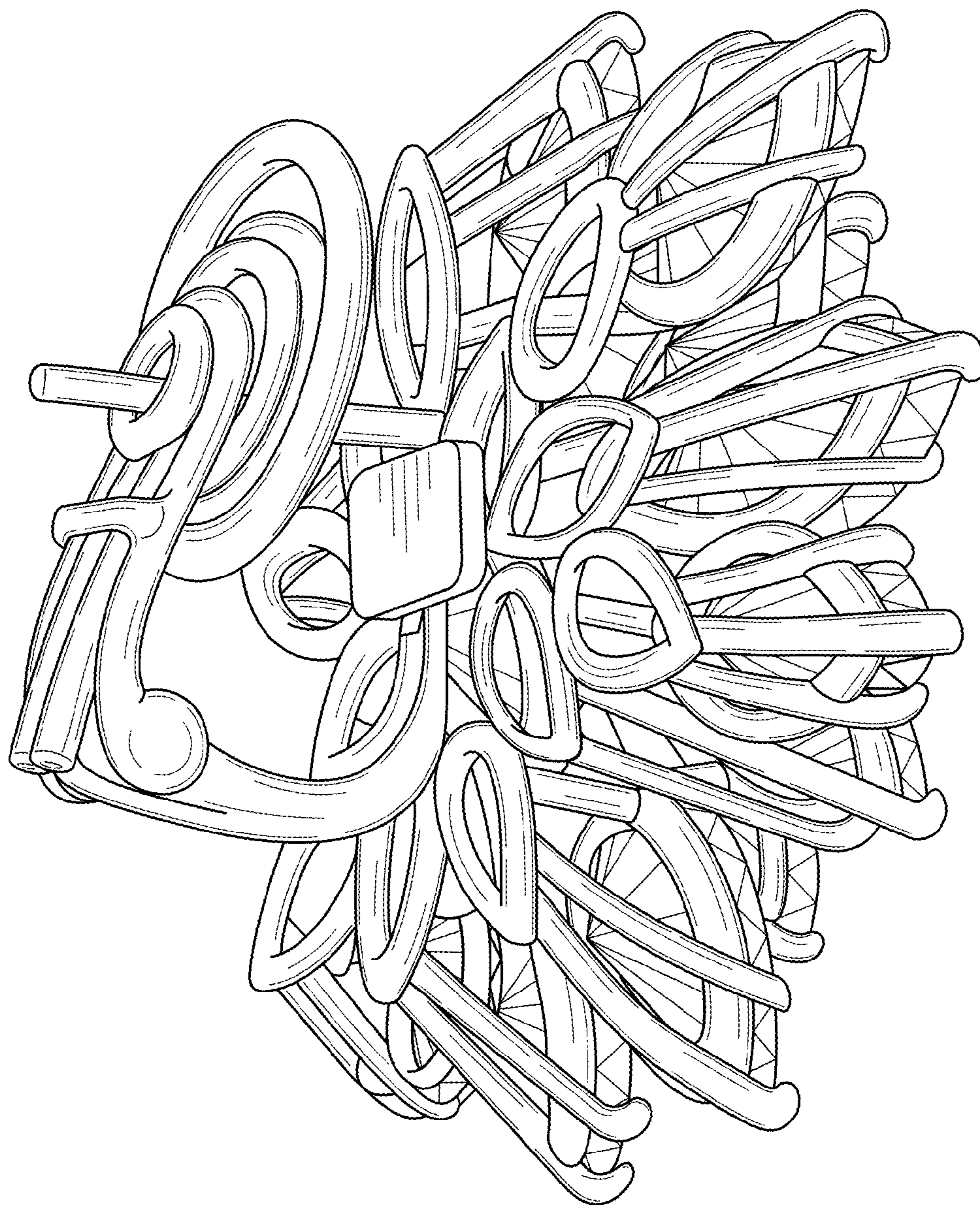


FIG. 8