



US00D751450S

(12) **United States Design Patent**  
**McAlarney et al.**

(10) **Patent No.:** **US D751,450 S**  
(45) **Date of Patent:** **\*\* Mar. 15, 2016**

(54) **RING**

(71) Applicant: **KALYPSO TWISTZ, LLC**, Marietta, OH (US)

(72) Inventors: **Cheryl McAlarney**, Marietta, OH (US);  
**Nancy Fenton**, Williamstown, WV (US)

(\*\*) Term: **14 Years**

(21) Appl. No.: **29/495,522**

(22) Filed: **Jul. 1, 2014**

(51) **LOC (10) Cl.** ..... **11-01**

(52) **U.S. Cl.**  
USPC ..... **D11/36**

(58) **Field of Classification Search**  
USPC ..... D11/1, 2, 3, 4, 5, 6, 7, 8, 9, 10, 11, 12,  
D11/13, 14, 15, 16, 26-39, 79, 86; 63/1.11,  
63/3, 3.1, 3.2, 4, 5.1, 15.1-15.4, 15.45,  
63/15.5, 15.6, 15.65, 15.7, 26-28, 40, 41,  
63/29.1

See application file for complete search history.

(56) **References Cited**

**U.S. PATENT DOCUMENTS**

|                |         |               |       |         |
|----------------|---------|---------------|-------|---------|
| D85,403 S *    | 10/1931 | Swanson       | ..... | D28/78  |
| D242,645 S *   | 12/1976 | Shorin et al. | ..... | D11/27  |
| D309,278 S *   | 7/1990  | Mejias        | ..... | D11/35  |
| 5,228,317 A *  | 7/1993  | Hendricks     | ..... | 63/15.7 |
| 6,574,989 B1 * | 6/2003  | Lampert       | ..... | 63/15   |
| 7,143,607 B2 * | 12/2006 | Hartgrove     | ..... | 63/29.1 |
| 7,322,212 B2 * | 1/2008  | Golove et al. | ..... | 63/15   |
| D705,691 S *   | 5/2014  | Mezhibovsky   | ..... | D11/26  |
| D712,774 S *   | 9/2014  | Cheah         | ..... | D11/26  |

|                   |         |          |       |         |
|-------------------|---------|----------|-------|---------|
| D718,172 S *      | 11/2014 | Makover  | ..... | D11/26  |
| 2005/0210920 A1 * | 9/2005  | Kourakis | ..... | 63/29.1 |
| 2008/0034791 A1 * | 2/2008  | Arcadi   | ..... | 63/15   |

**OTHER PUBLICATIONS**

[Online] <http://www.ec21.com/product-details/Stainless-Ring-Interchangeable--3291250.html>. Retrieved Feb. 6, 2015.\*

\* cited by examiner

*Primary Examiner* — Garth Rademaker

*Assistant Examiner* — Melanie Pellegrini

(74) *Attorney, Agent, or Firm* — Black McCuskey Souers & Arbaugh, LPA

(57) **CLAIM**

The ornamental design for a ring, as shown and described.

**DESCRIPTION**

FIG. 1 is a perspective view of a first embodiment of a ring in an assembled arrangement;

FIG. 2 is a front view of a ring in an assembled arrangement.

The back view is a mirror of the front view.

FIG. 3 is a right side view of a ring in an assembled arrangement. The left side view is a mirror of the right view.

FIG. 4 is a top view of a ring in an assembled arrangement.

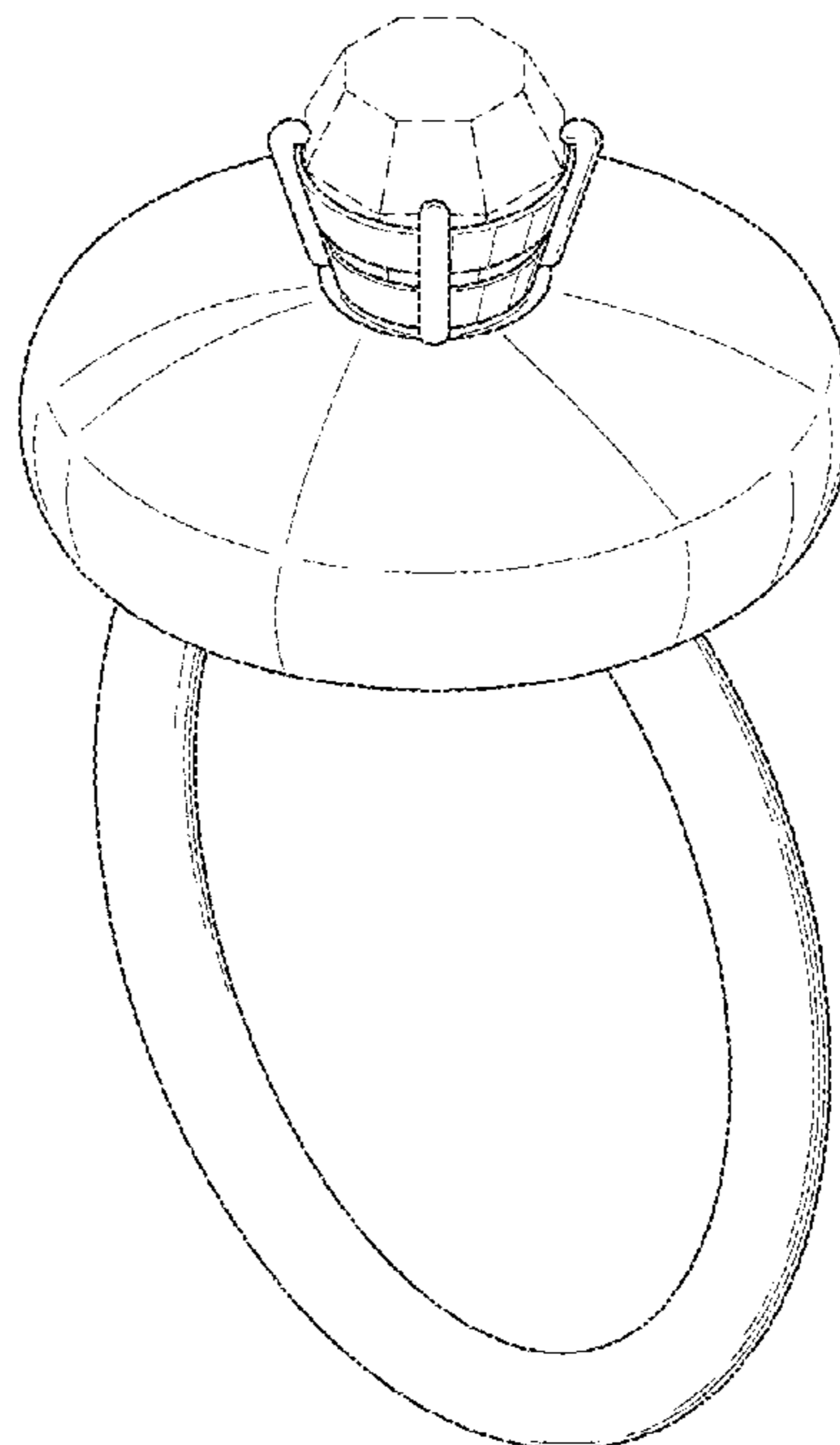
FIG. 5 is a bottom view of a ring in an assembled arrangement.

FIG. 6 is an exploded perspective view of a ring; and,

FIG. 7 is a perspective view of a second embodiment of a ring in an assembled arrangement.

The broken lines shown in the drawings represent portions of the ring which form no part of the claimed designed.

**1 Claim, 4 Drawing Sheets**



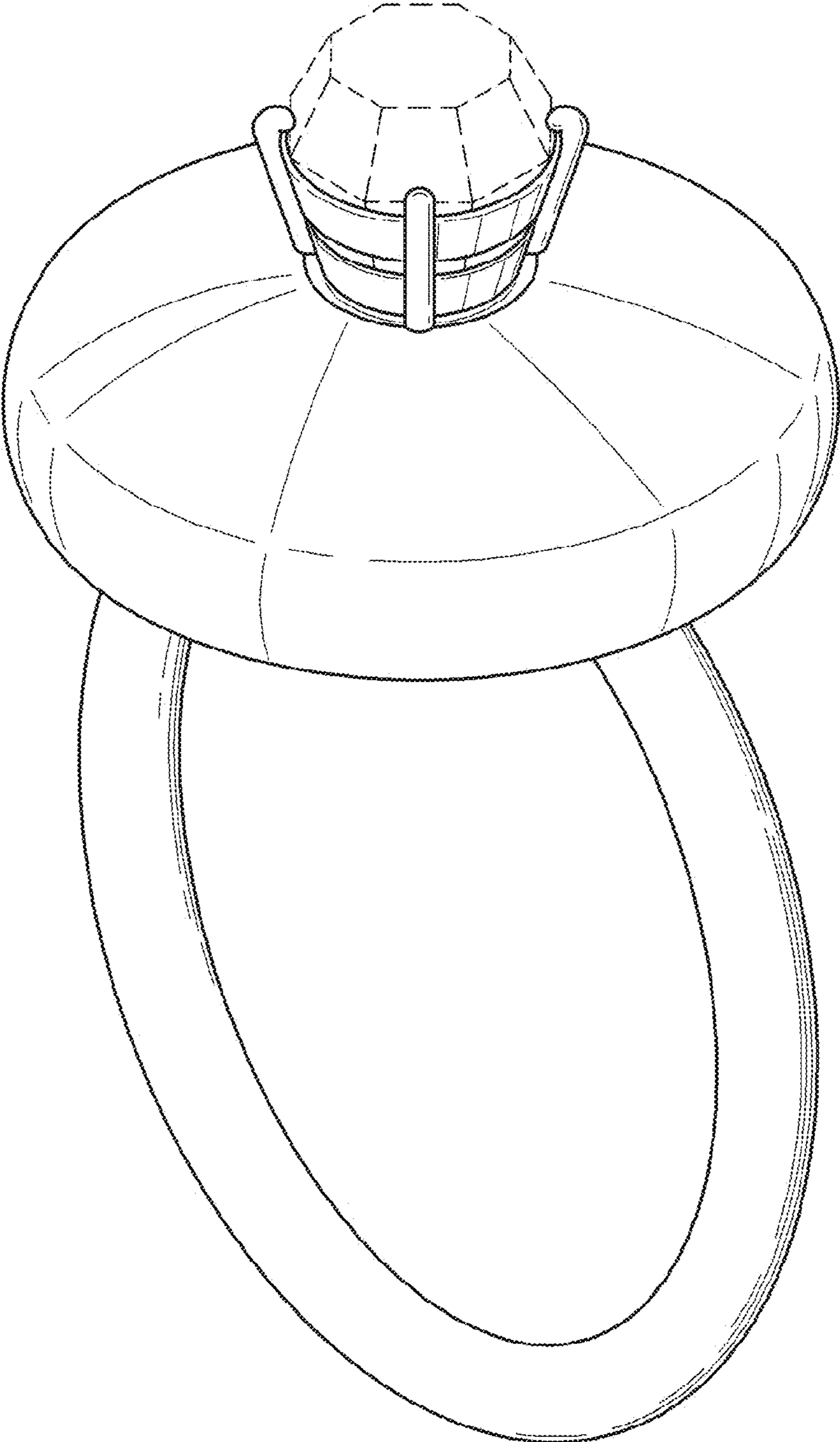


FIG. 1

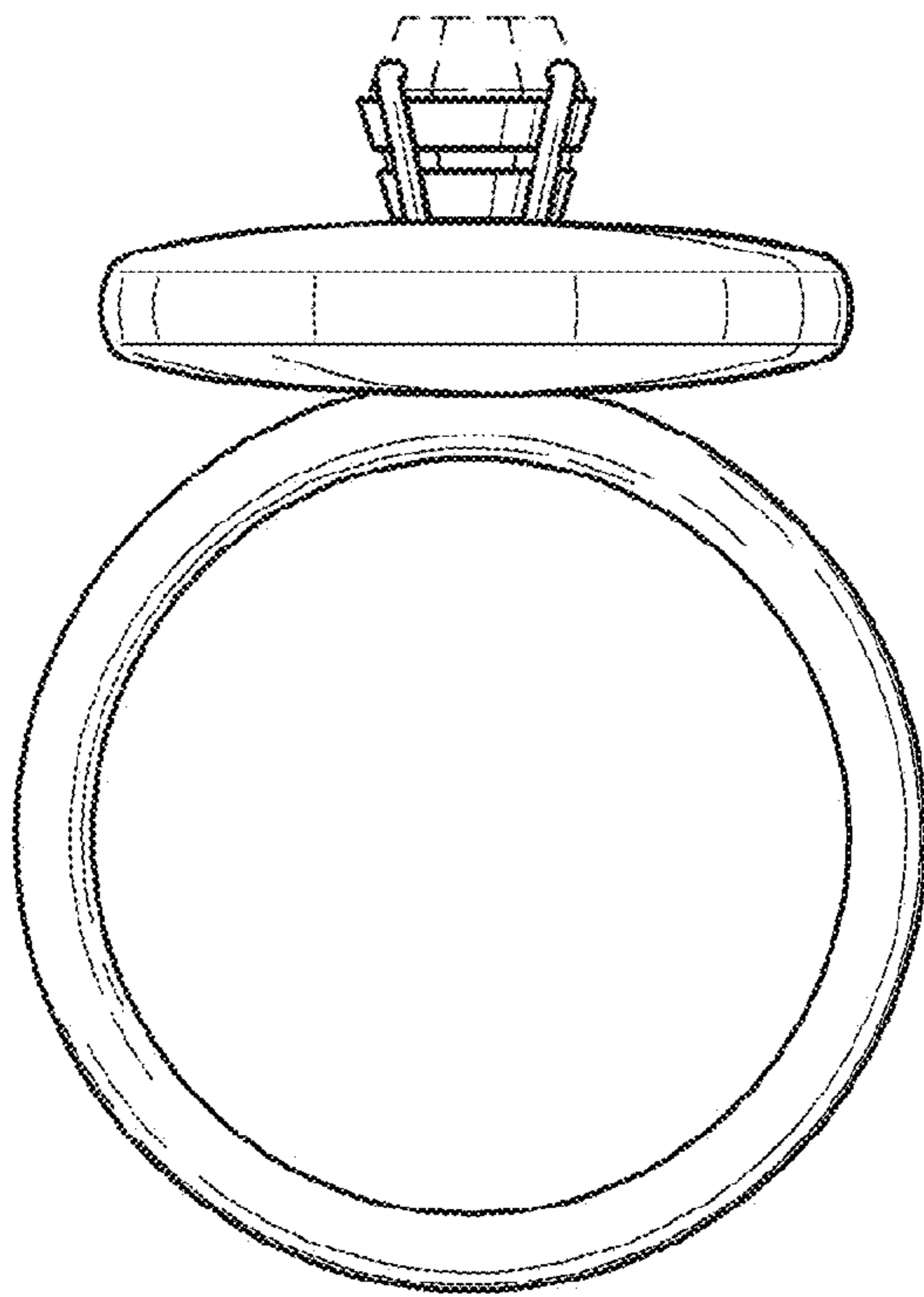


FIG. 2

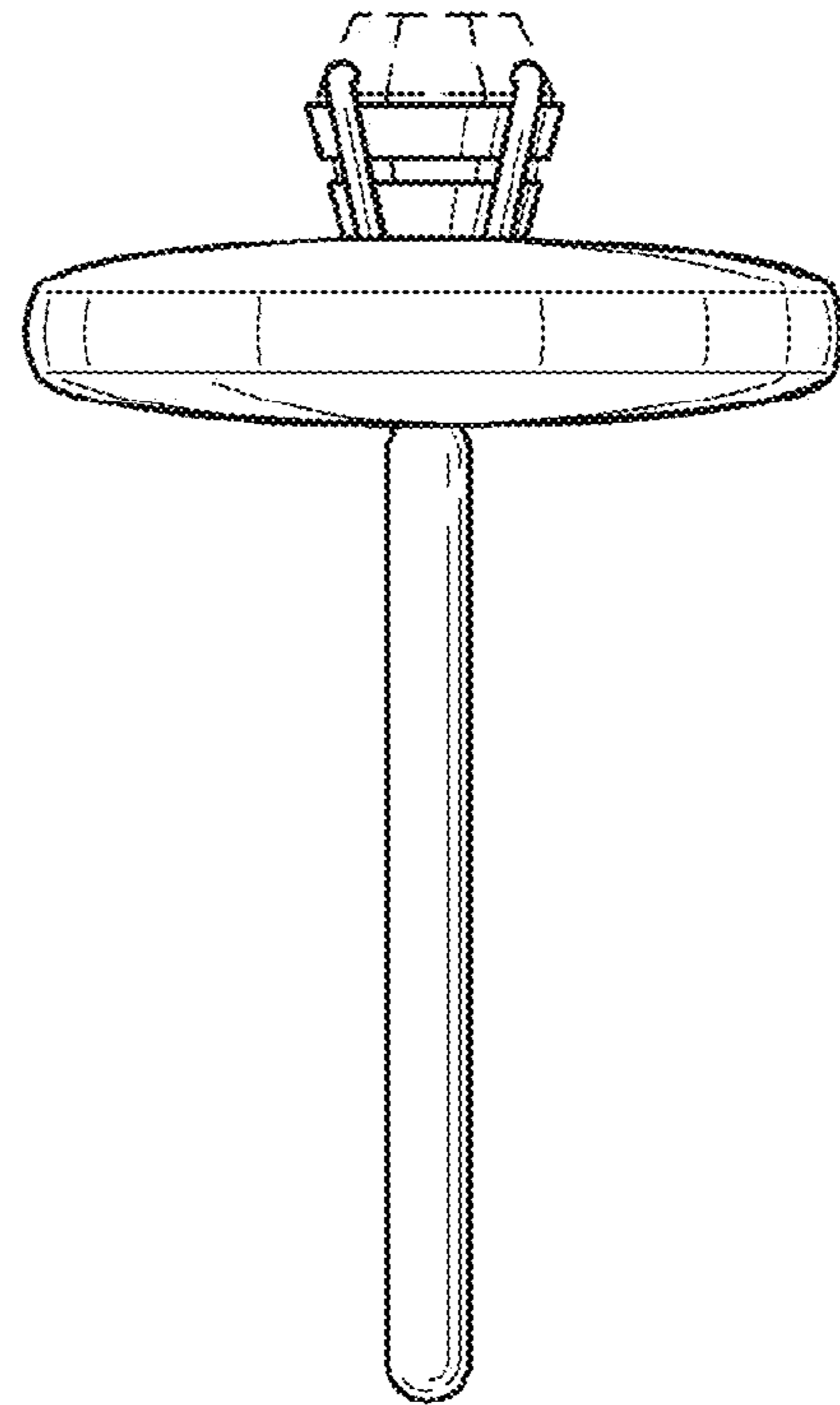


FIG. 3

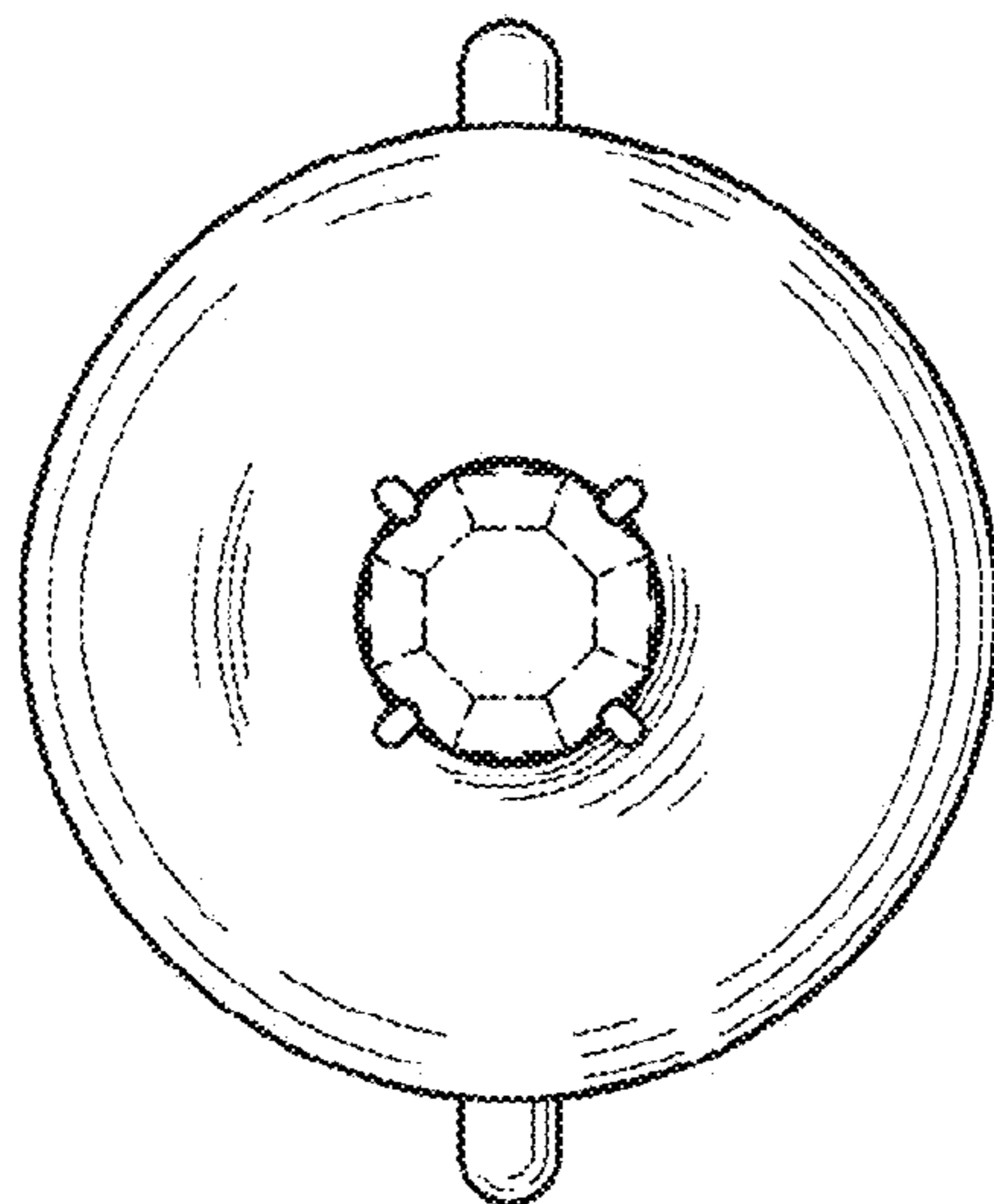


FIG. 4

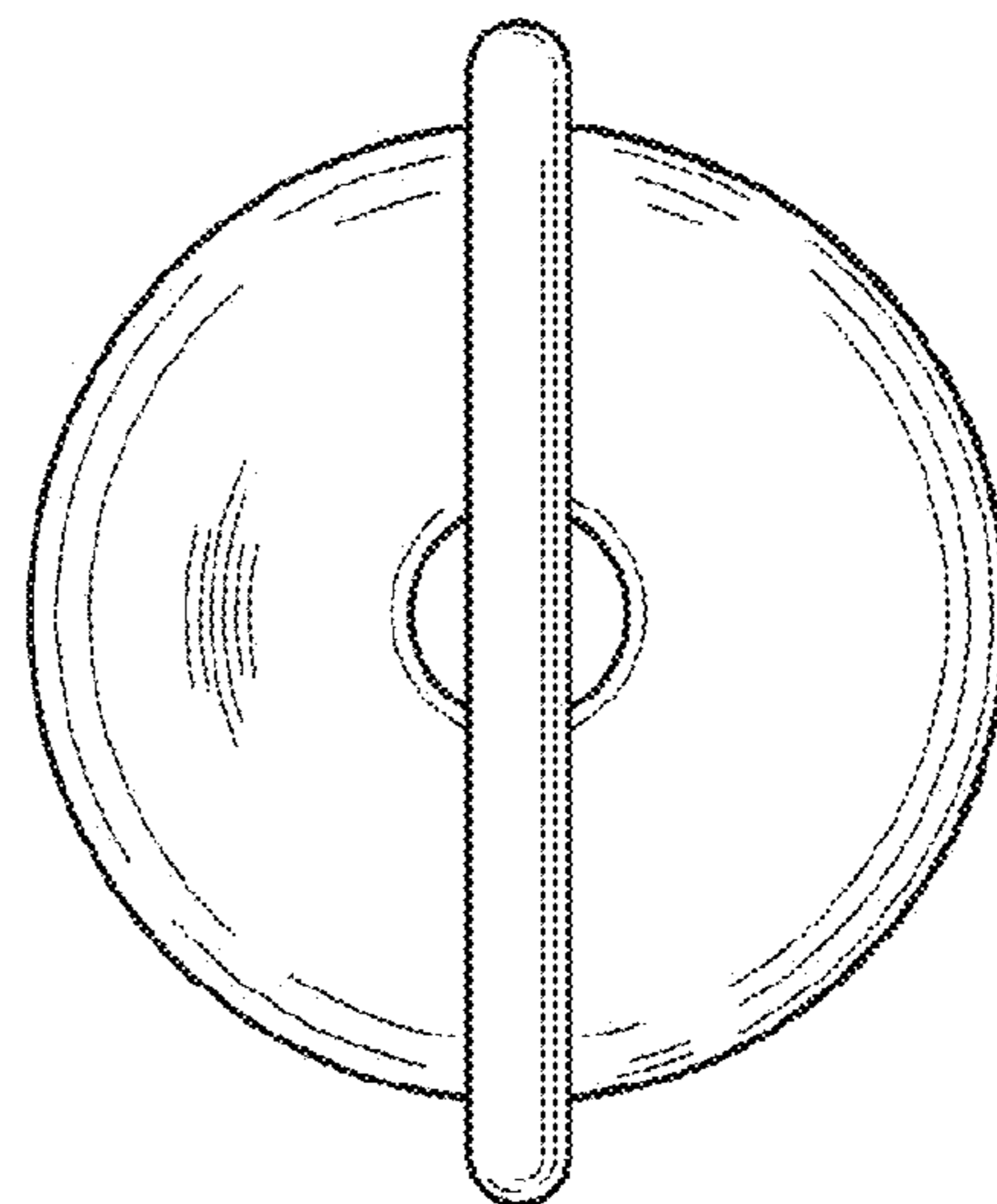
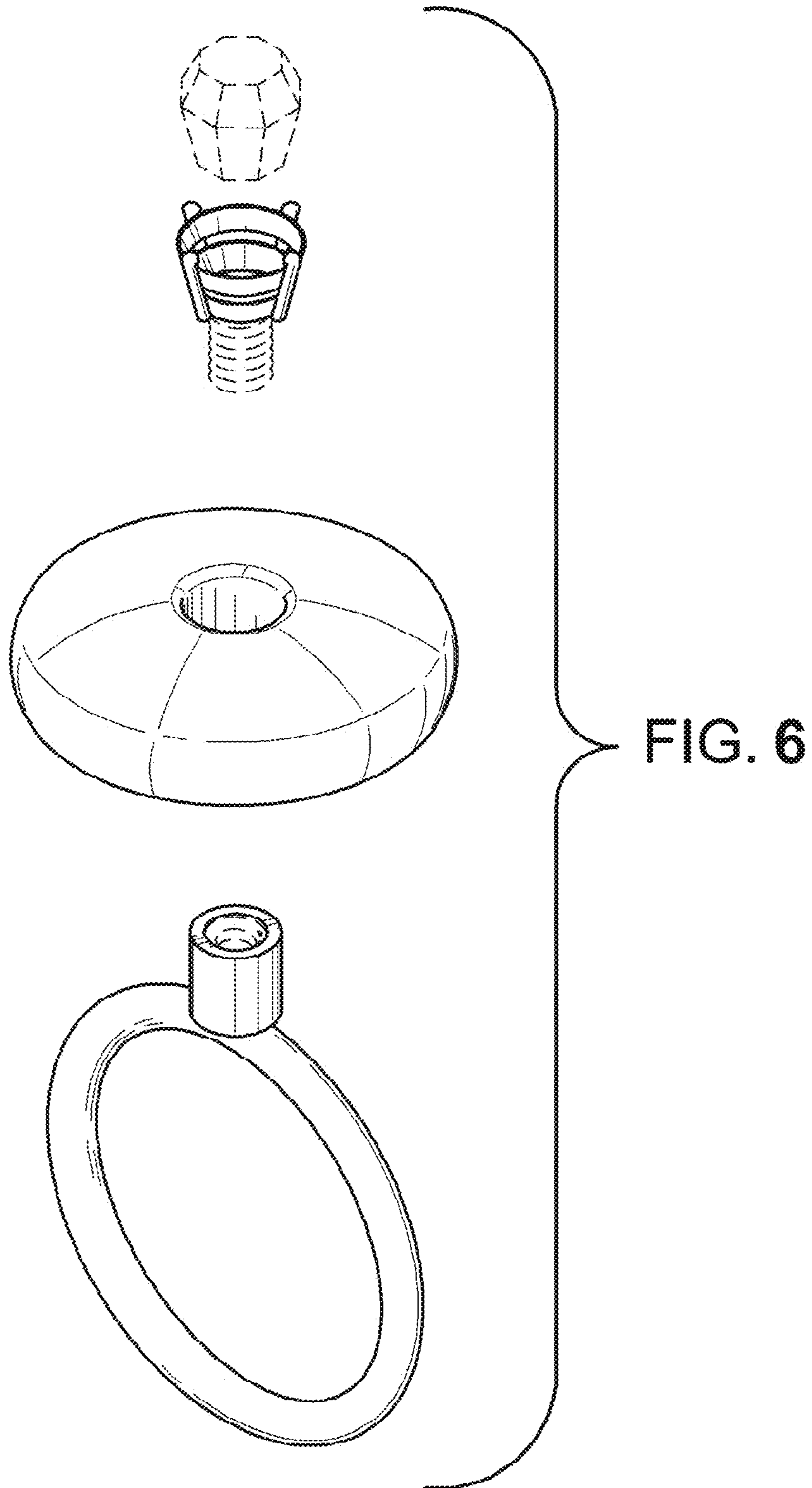


FIG. 5



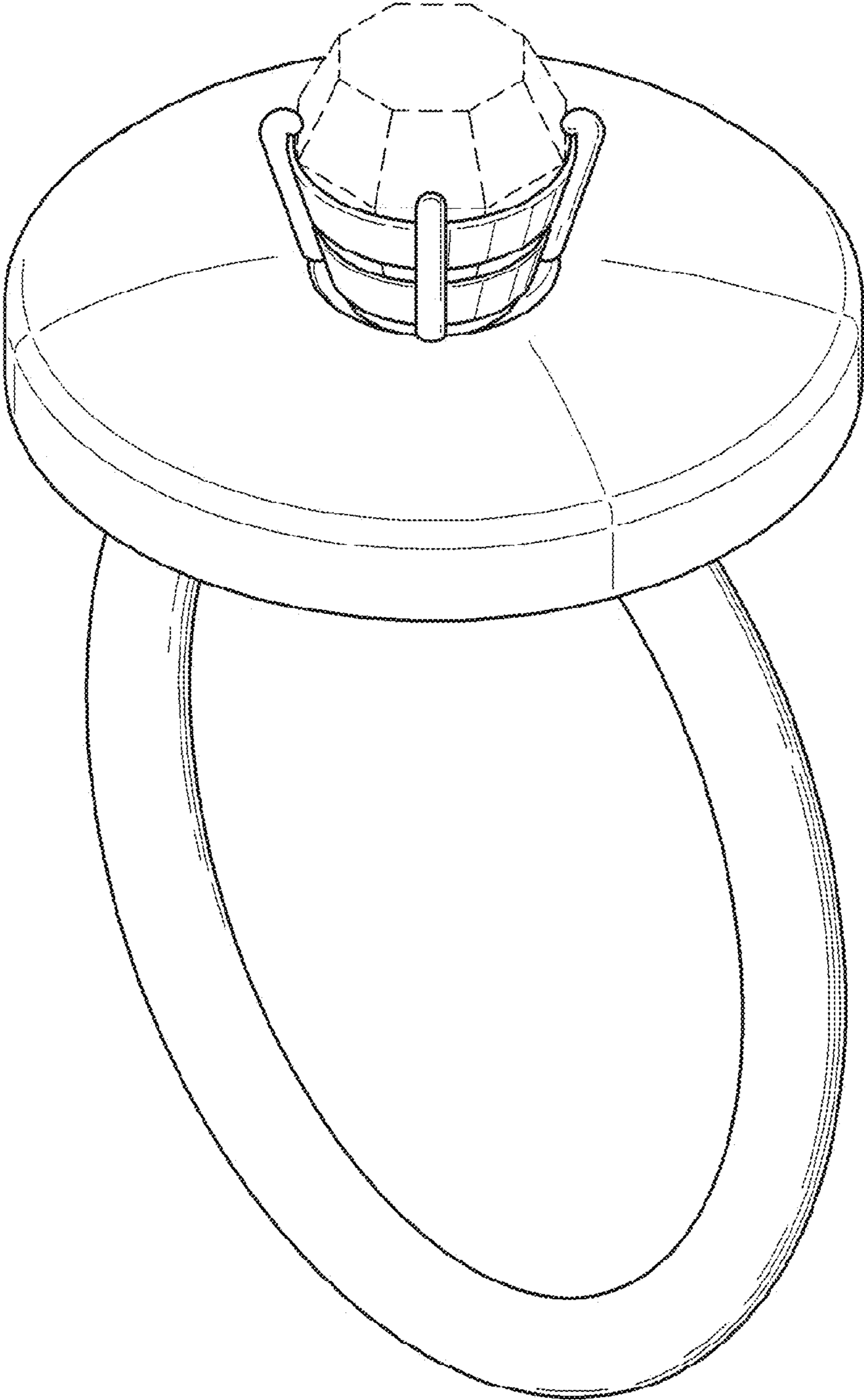


FIG. 7