



US00D751446S

(12) **United States Design Patent**
Lin et al.

(10) **Patent No.:** **US D751,446 S**
(45) **Date of Patent:** **** Mar. 15, 2016**

(54) **DOORBELL**

(71) Applicants: **Che Wei Lin**, Hsinchu (TW); **Sheng Yuan Wang**, Hsinchu (TW)

(72) Inventors: **Che Wei Lin**, Hsinchu (TW); **Sheng Yuan Wang**, Hsinchu (TW)

(**) Term: **14 Years**

(21) Appl. No.: **29/519,919**

(22) Filed: **Mar. 9, 2015**

(51) **LOC (10) Cl.** **10-05**

(52) **U.S. Cl.**
USPC **D10/118.2**

(58) **Field of Classification Search**
USPC D10/106.5, 106.1, 118, 118.2;
D13/171; D14/159
CPC H04M 1/0291
See application file for complete search history.

(56) **References Cited**

U.S. PATENT DOCUMENTS

D297,222 S * 8/1988 Rauch D10/106.5
D300,528 S * 4/1989 Drane D13/171
D371,086 S * 6/1996 Collins D10/106.1

D404,673 S * 1/1999 Gordon D10/118
D692,847 S * 11/2013 Barley D14/159
2015/0049191 A1 * 2/2015 Scalisi H04M 1/0291
348/143

* cited by examiner

Primary Examiner — George D Kirschbaum

(74) *Attorney, Agent, or Firm* — WPAT, P.C.; Anthony King

(57) **CLAIM**

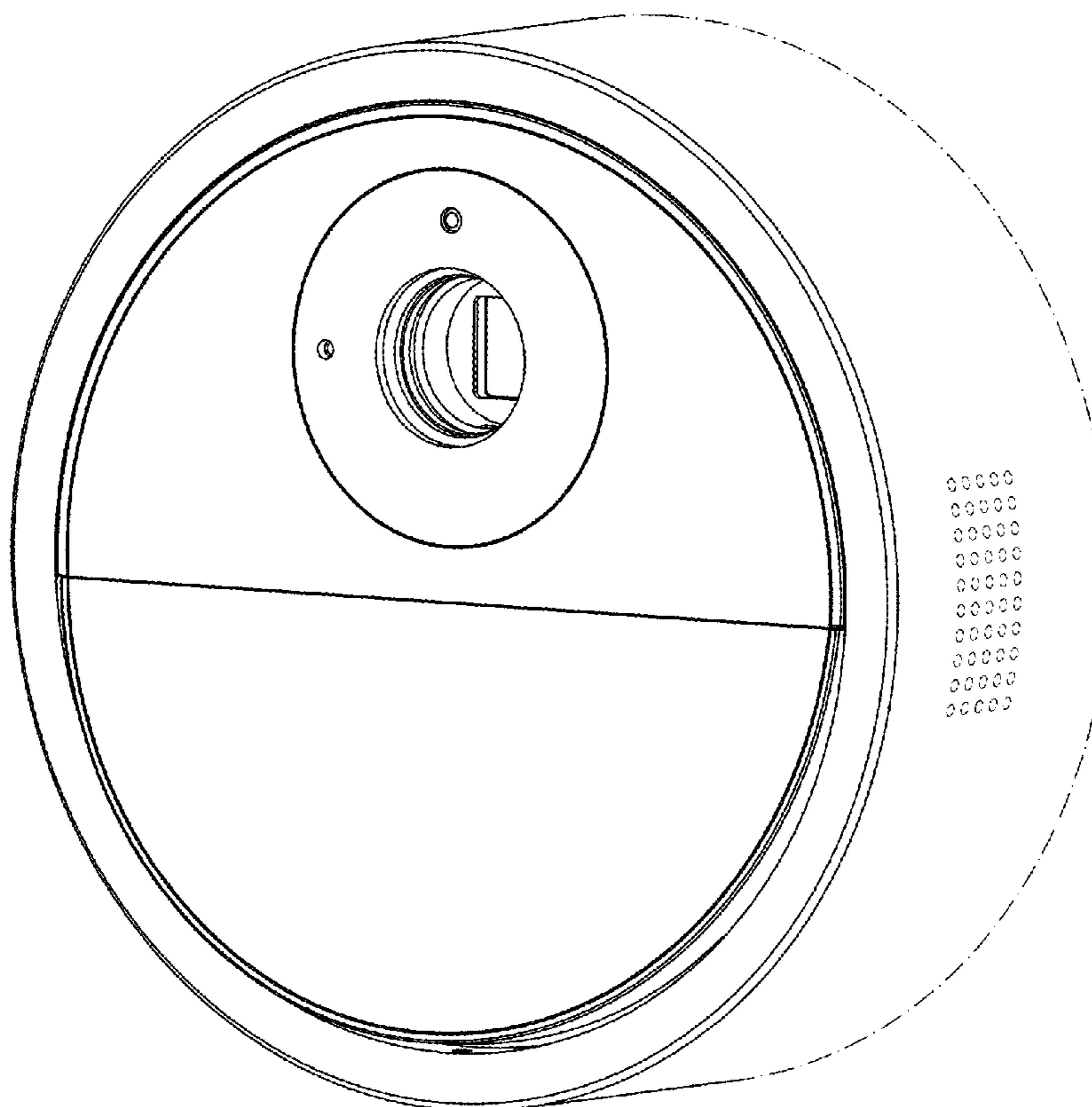
The ornamental design for a doorbell, as shown and described.

DESCRIPTION

FIG. 1 is a front and side perspective view of a doorbell showing the new design;
FIG. 2 is a rear and side perspective view thereof;
FIG. 3 is a front view thereof;
FIG. 4 is a rear view thereof;
FIG. 5 is a top view thereof;
FIG. 6 is a bottom view thereof;
FIG. 7 is a right side view thereof; and,
FIG. 8 is a left side view thereof.

The broken line showing of the rear of the design is included for the purpose of illustrating portions of the “article” and forms no part of the claimed design. The dash-dot-dash line represents the boundary of the claimed design.

1 Claim, 7 Drawing Sheets



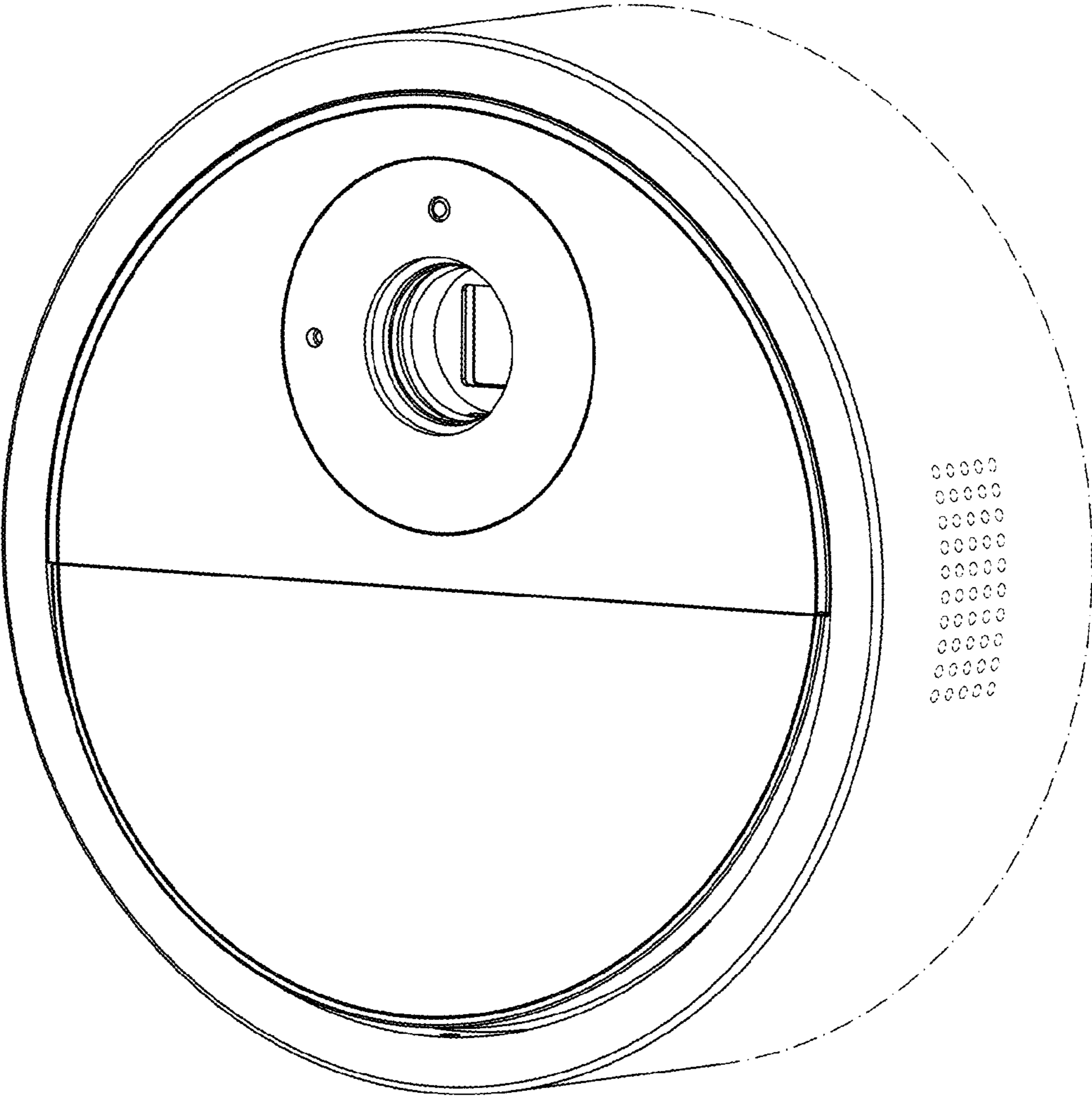


FIG. 1

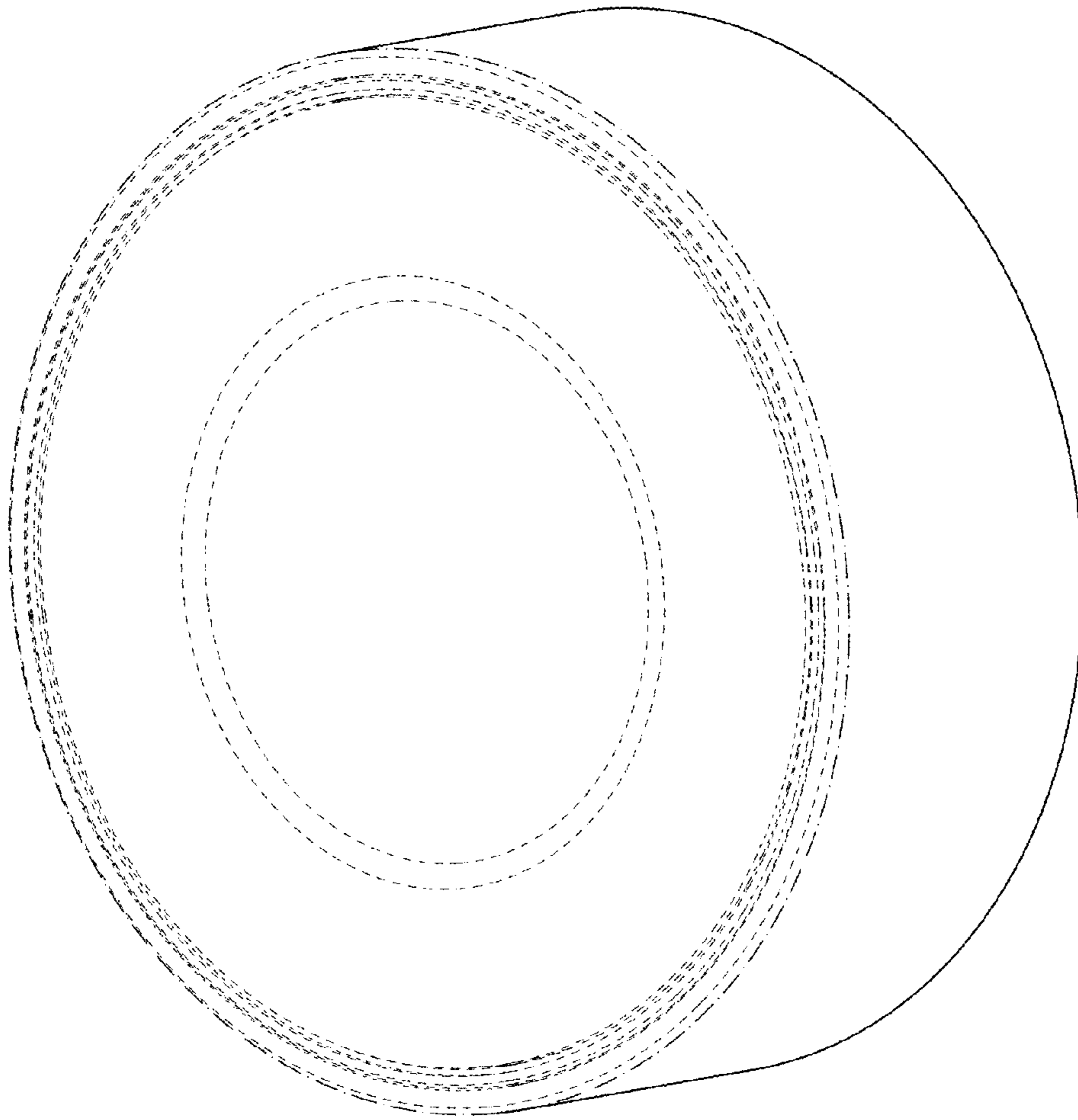


FIG. 2

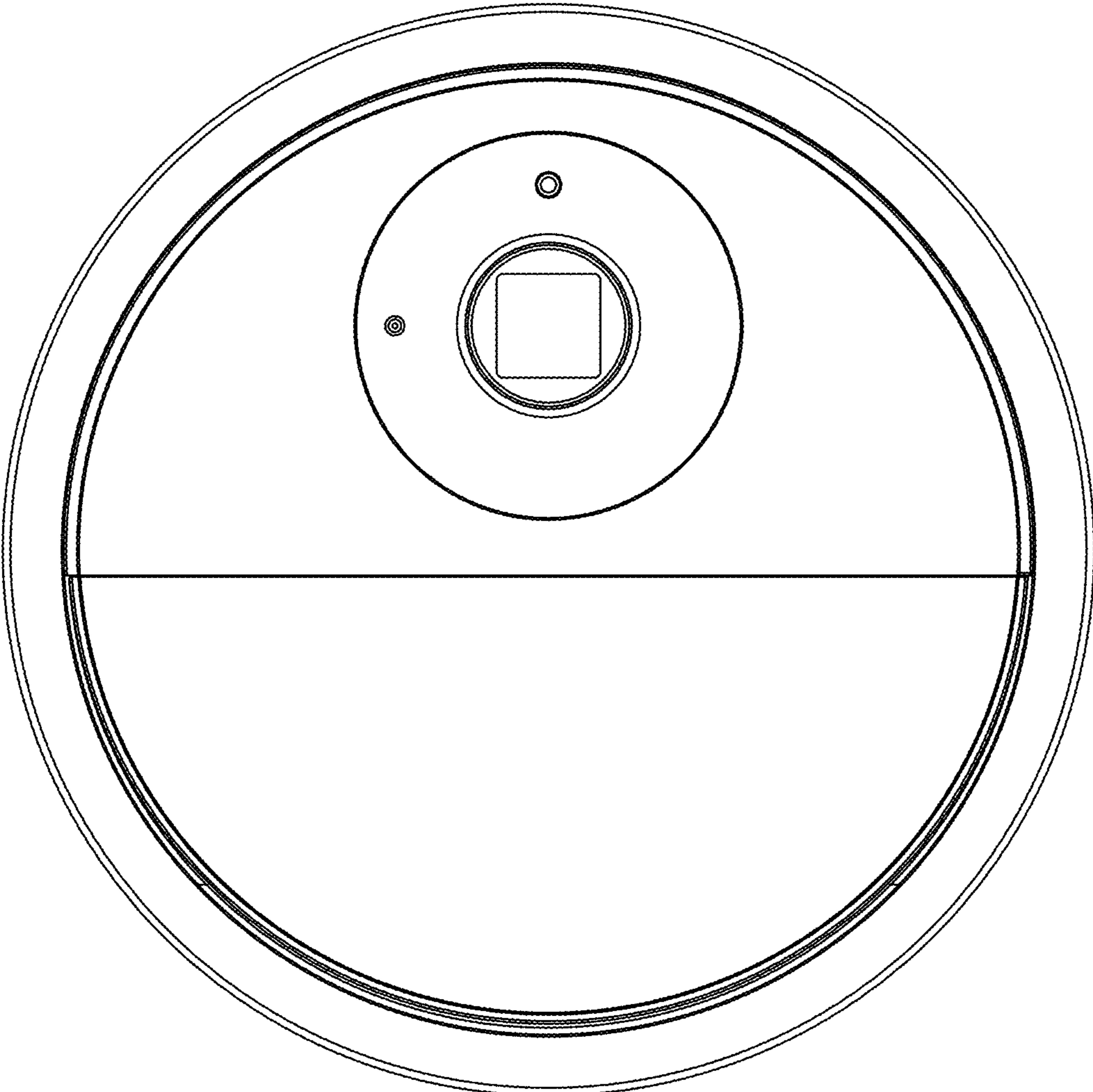


FIG. 3

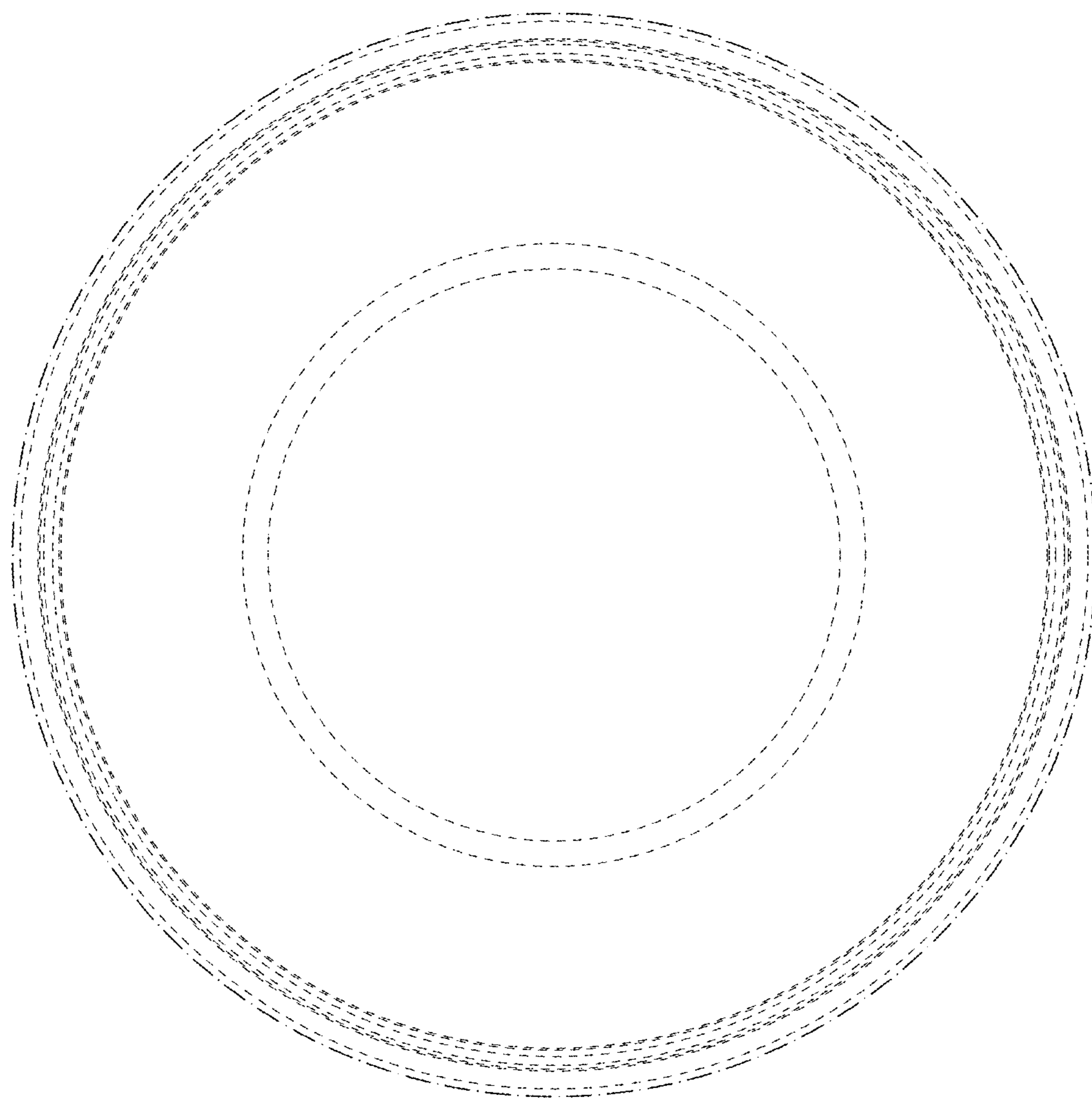


FIG. 4

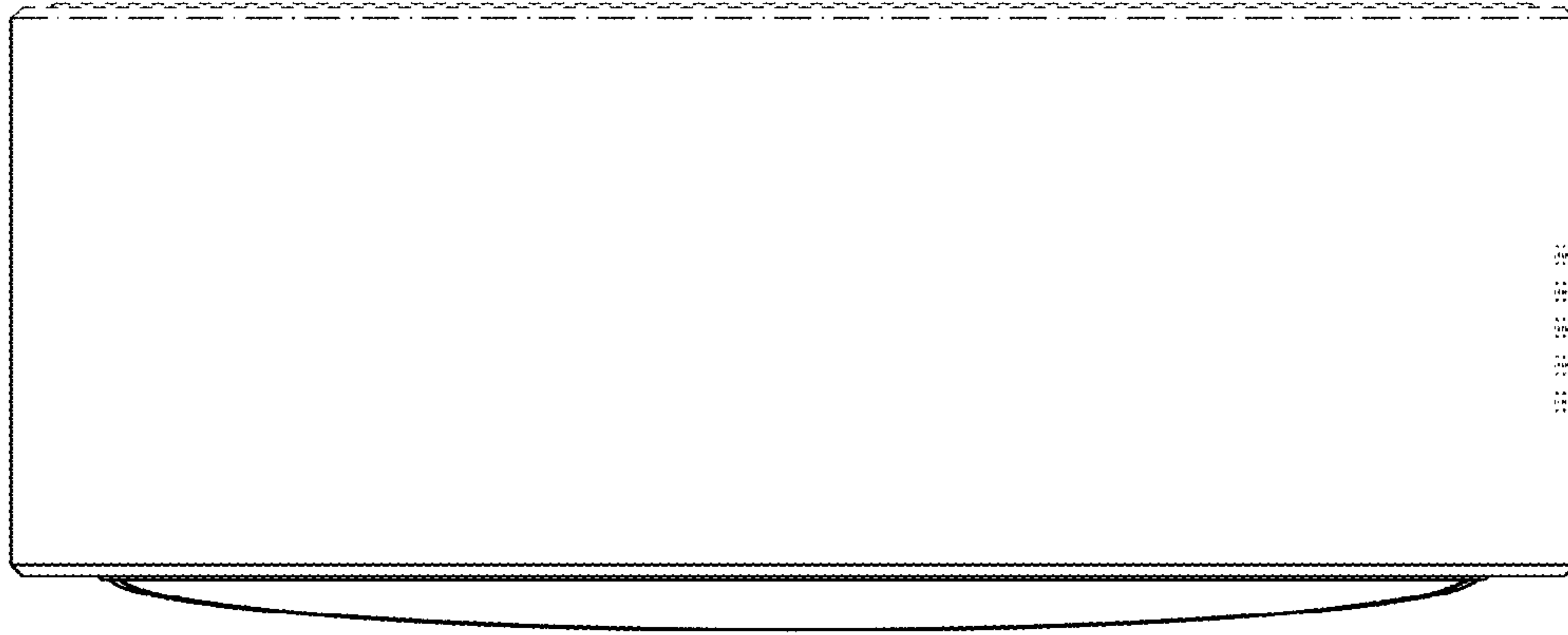


FIG. 5

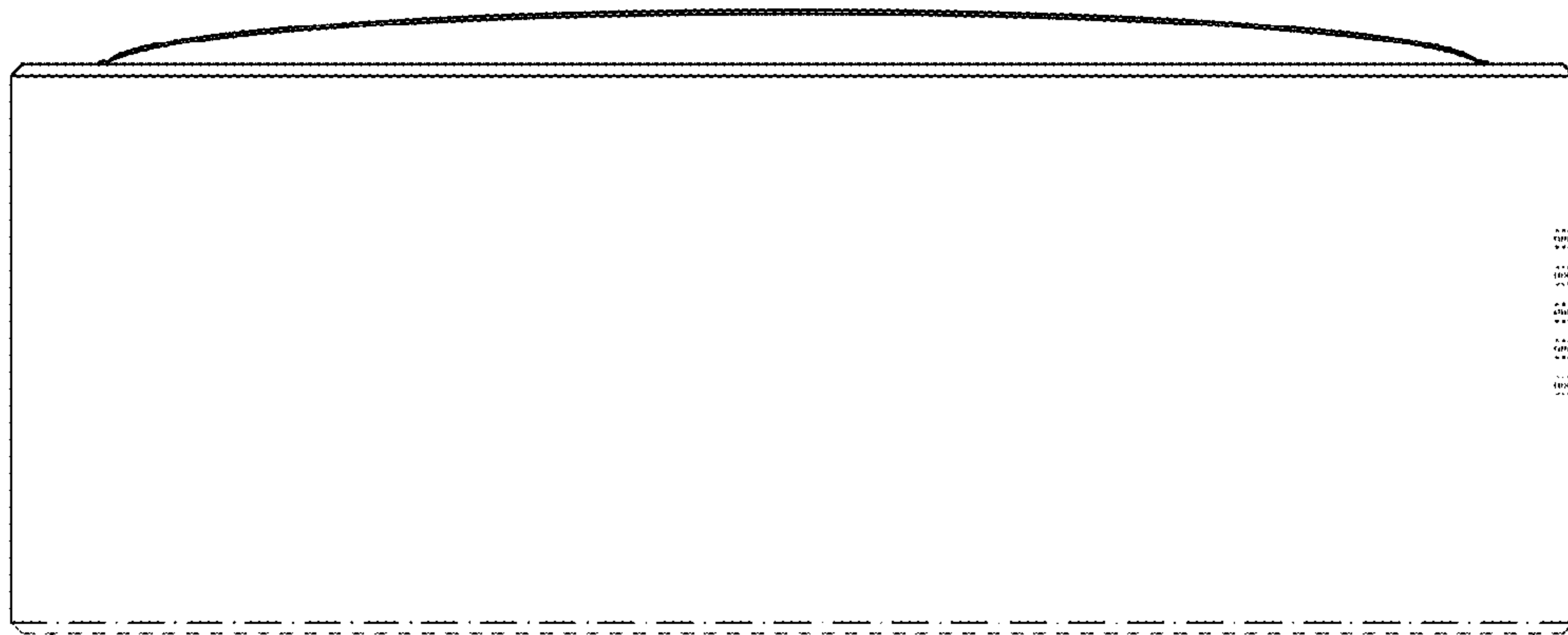


FIG. 6

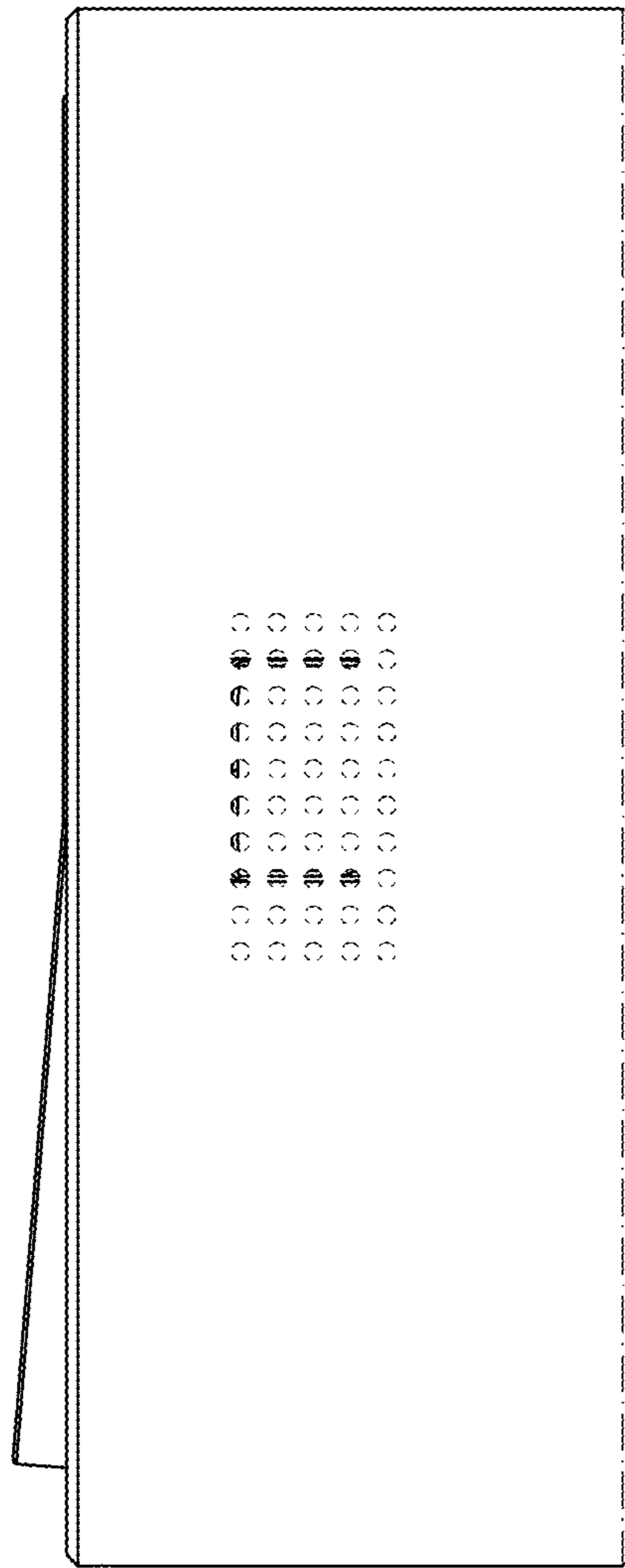


FIG. 7

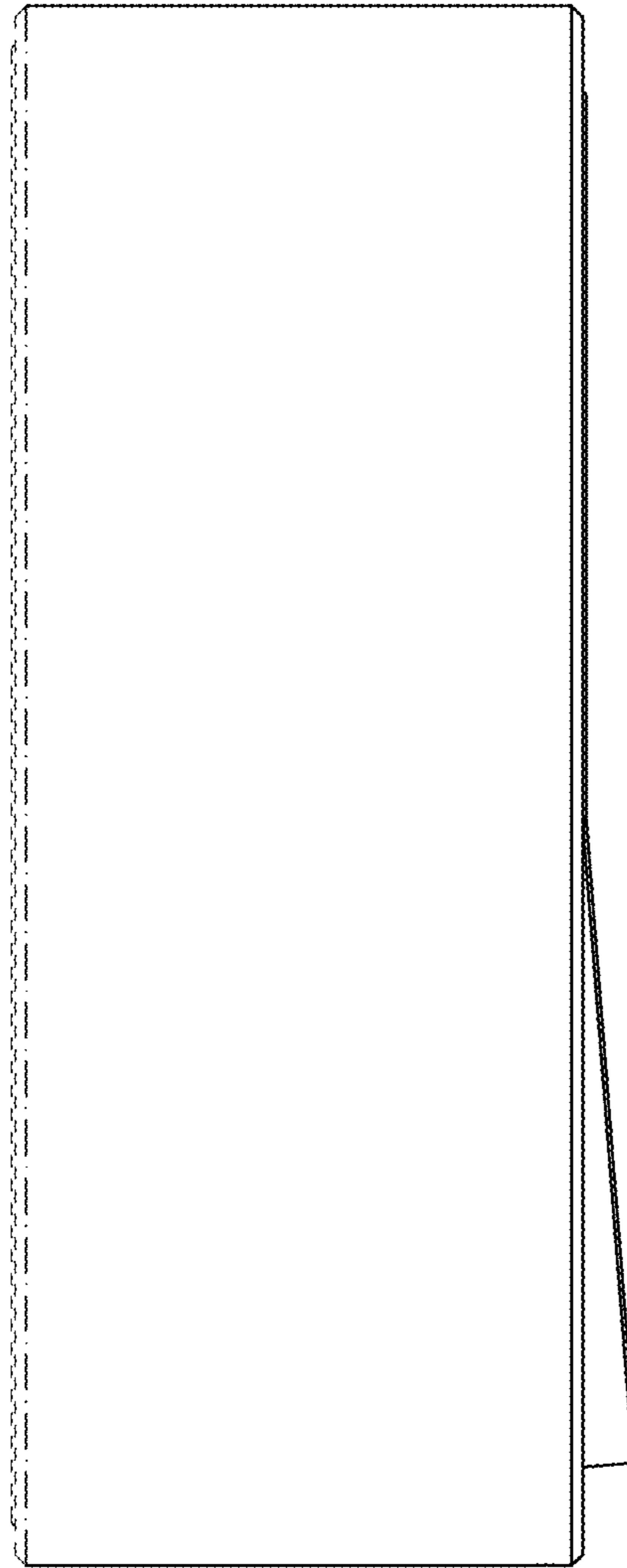


FIG. 8