



US00D751445S

(12) **United States Design Patent**
Goltche

(10) **Patent No.:** **US D751,445 S**
(45) **Date of Patent:** **** Mar. 15, 2016**

(54) **LIGHT BAR**

Primary Examiner — George D Kirschbaum

(71) Applicant: **Yehuda Goltche**, Great Neck, NY (US)

(72) Inventor: **Yehuda Goltche**, Great Neck, NY (US)

(**) Term: **14 Years**

(21) Appl. No.: **29/519,206**

(22) Filed: **Mar. 3, 2015**

(51) **LOC (10) Cl.** **10-05**

(52) **U.S. Cl.**
USPC **D10/114.4**

(58) **Field of Classification Search**
USPC D10/114.3–114.4; D26/72, 85
CPC B60R 1/12
See application file for complete search history.

(56) **References Cited**

U.S. PATENT DOCUMENTS

D652,753 S * 1/2012 Deyaf D10/114.4
D703,082 S * 4/2014 Deyaf D10/114.4

* cited by examiner

(57) **CLAIM**

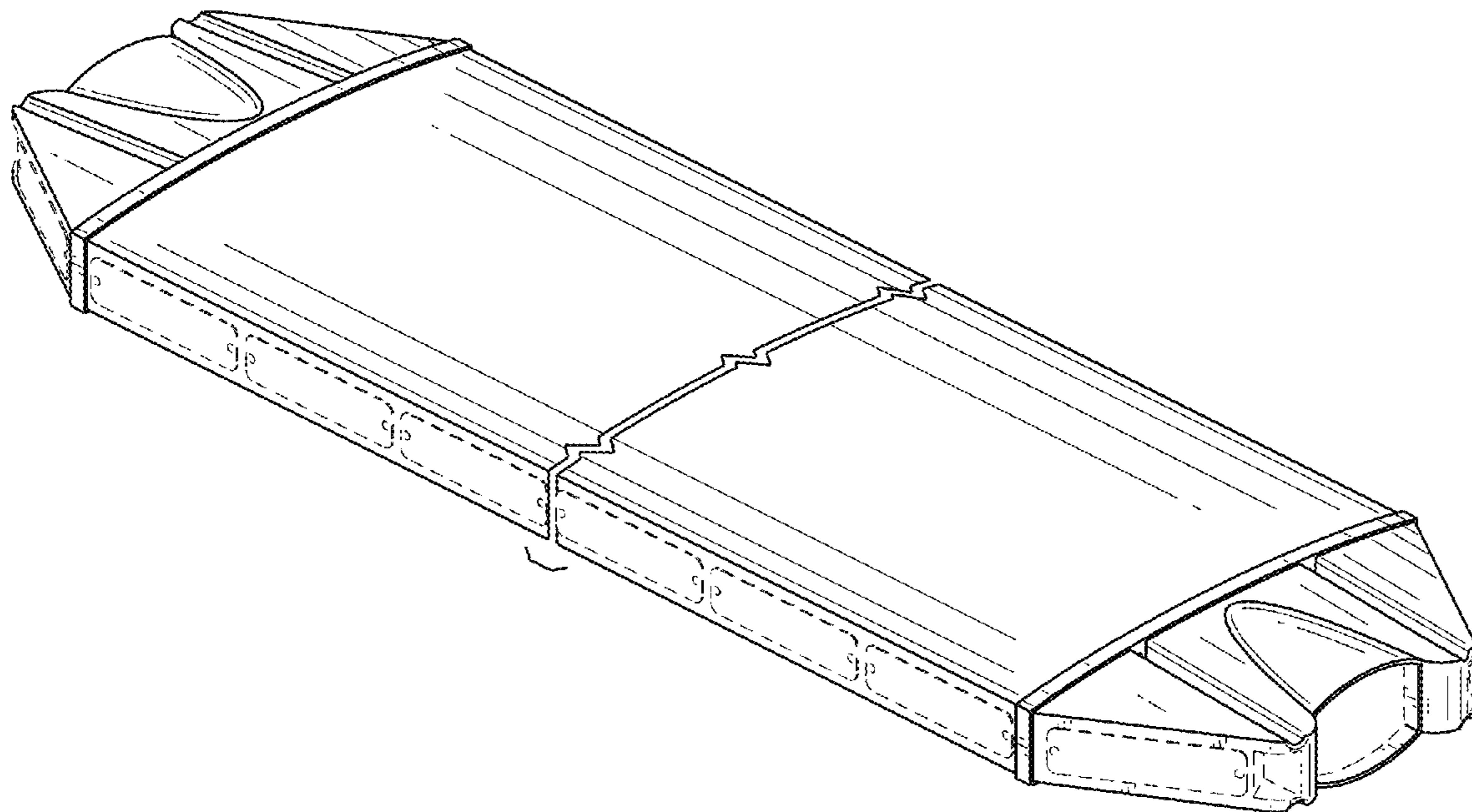
The ornamental design for a light bar, as shown and described.

DESCRIPTION

FIG. 1 is a perspective front view of a light bar;
FIG. 2 is a front elevation view thereof; the rear elevation view being an identical image thereof;
FIG. 3 is a left side elevation view thereof; the right side elevation view being an identical image thereof; and,
FIG. 4 is a top plan view thereof; the bottom plan view being an identical image thereof.

The broken lines shown in the drawings illustrate portions of the light bar that form no part of the claimed design. The cutaway symbols illustrated in broken lines in the drawings indicate a symbolic break in the length of the design for the light bar indicating an indeterminate length. The appearance of any portion of the article between the break lines forms no part of the claimed design.

1 Claim, 3 Drawing Sheets



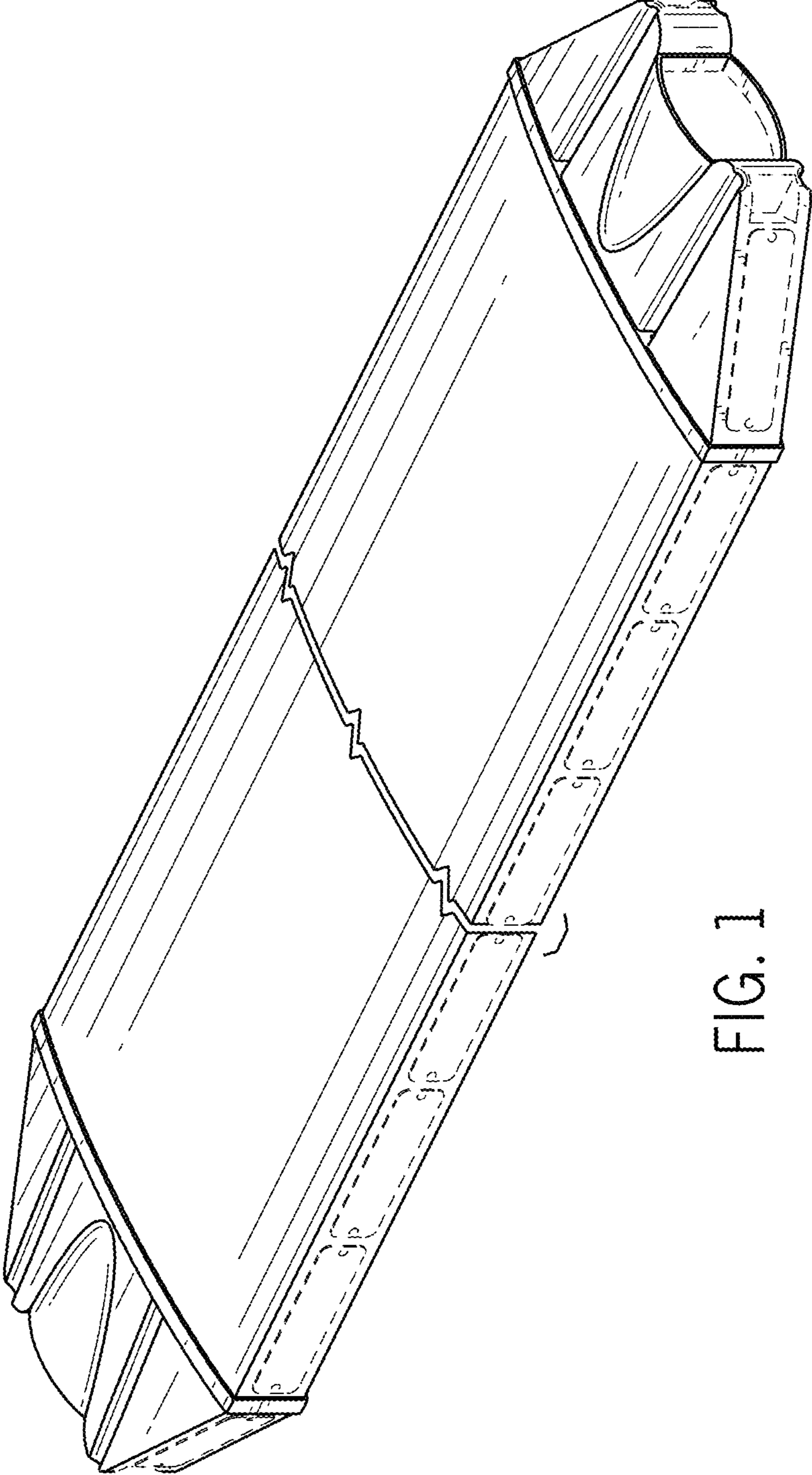


FIG. 1



FIG. 2

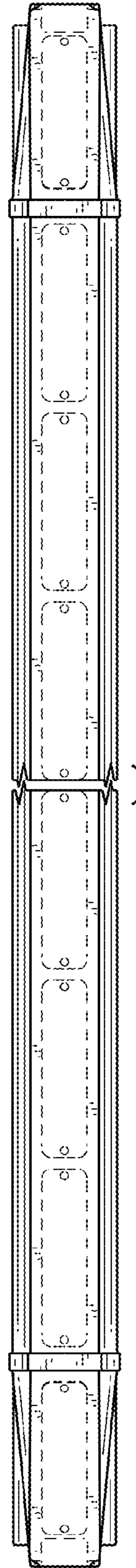


FIG. 3

FIG. 4

