



US00D751444S

(12) **United States Design Patent**
Goltche

(10) **Patent No.:** **US D751,444 S**
(45) **Date of Patent:** **** Mar. 15, 2016**

(54) **LIGHT BAR**

(71) Applicant: **Yehuda Goltche**, Great Neck, NY (US)

(72) Inventor: **Yehuda Goltche**, Great Neck, NY (US)

(**) Term: **14 Years**

(21) Appl. No.: **29/516,252**

(22) Filed: **Jan. 30, 2015**

(51) **LOC (10) Cl.** **10-05**

(52) **U.S. Cl.**
USPC **D10/114.4**

(58) **Field of Classification Search**
USPC D10/114.3–114.4; D26/72, 85
CPC B60R 1/12
See application file for complete search history.

(56) **References Cited**

U.S. PATENT DOCUMENTS

D326,621 S	6/1992	Jincks et al.	
D476,253 S *	6/2003	Stein	D10/114.4
D499,976 S *	12/2004	Neufeglise	D10/114.4
D584,980 S *	1/2009	Shin	D10/114.4
D602,391 S	10/2009	Stein	
D627,247 S	11/2010	Shin	
D631,771 S	2/2011	Kuo	
D633,404 S	3/2011	Brooking et al.	
D637,934 S	5/2011	Shin	
D644,135 S *	8/2011	Cai	D10/114.4
D650,716 S	12/2011	Deyaf	

D661,611 S *	6/2012	Yu	D10/114.4
D674,716 S	1/2013	Walma et al.	
D682,135 S	5/2013	Grote, Jr. et al.	
2012/0099338 A1 *	4/2012	Yu	B60Q 1/2611 362/543

* cited by examiner

Primary Examiner — George D Kirschbaum

(57) **CLAIM**

The ornamental design for a light bar, as shown and described.

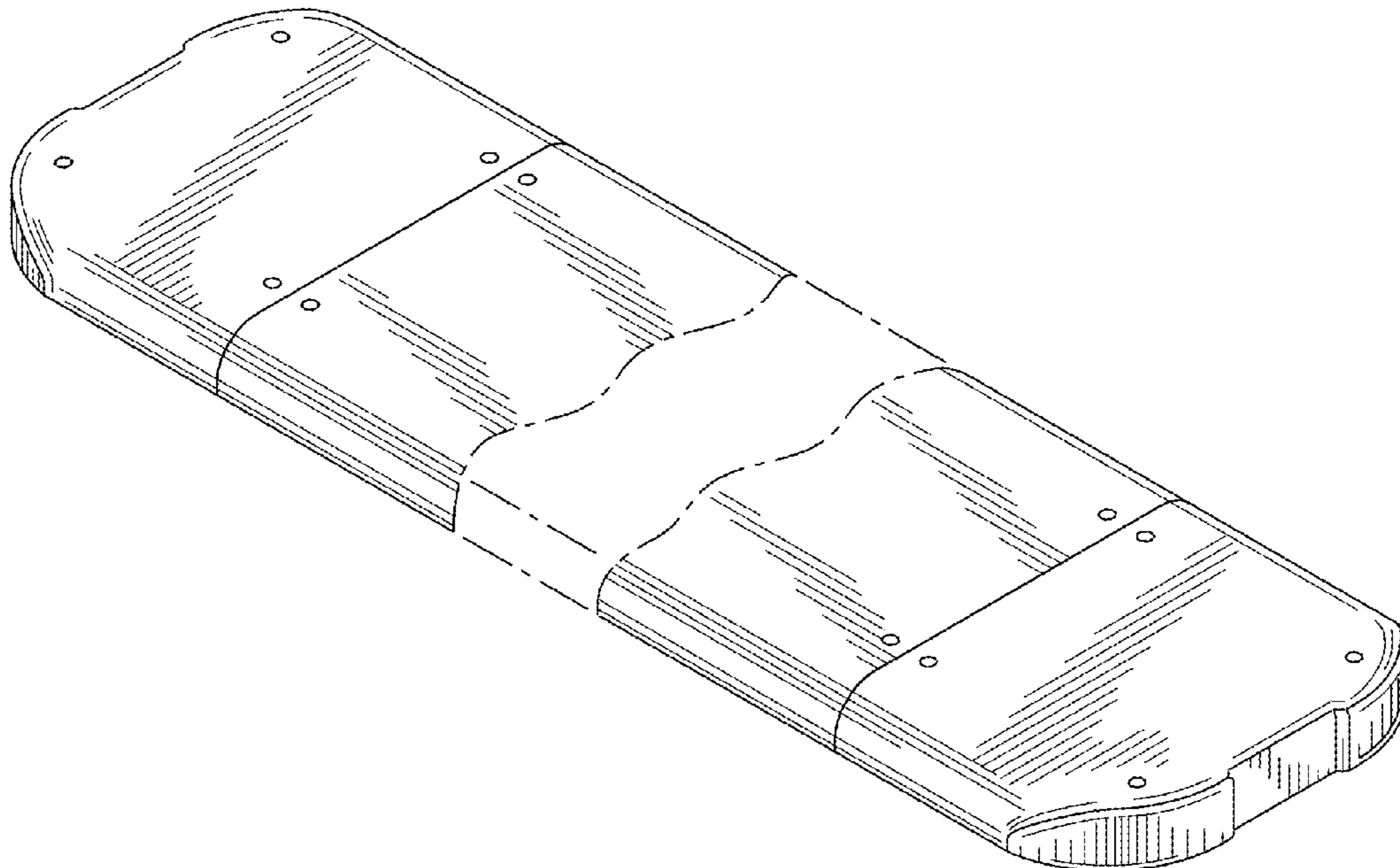
DESCRIPTION

FIG. 1 is a top front perspective view of a light bar;
FIG. 2 is a front elevation view thereof; the rear elevation view being a mirror image thereof;
FIG. 3 is a left elevation view thereof; the right elevation view being a mirror image thereof;
FIG. 4 is a top elevation view thereof;
FIG. 5 is a bottom elevation view thereof; and,
FIG. 6 is a detail top front perspective view thereof.

The broken dashed lines shown in the drawings illustrate portions of the light bar that form no part of the claimed design.

The cutaway symbols illustrated in broken break lines in the drawings indicate a symbolic break in the length of the design for the light bar indicating an indeterminate length. The appearance of any portion of the article between the break lines forms no part of the claimed design.

1 Claim, 4 Drawing Sheets



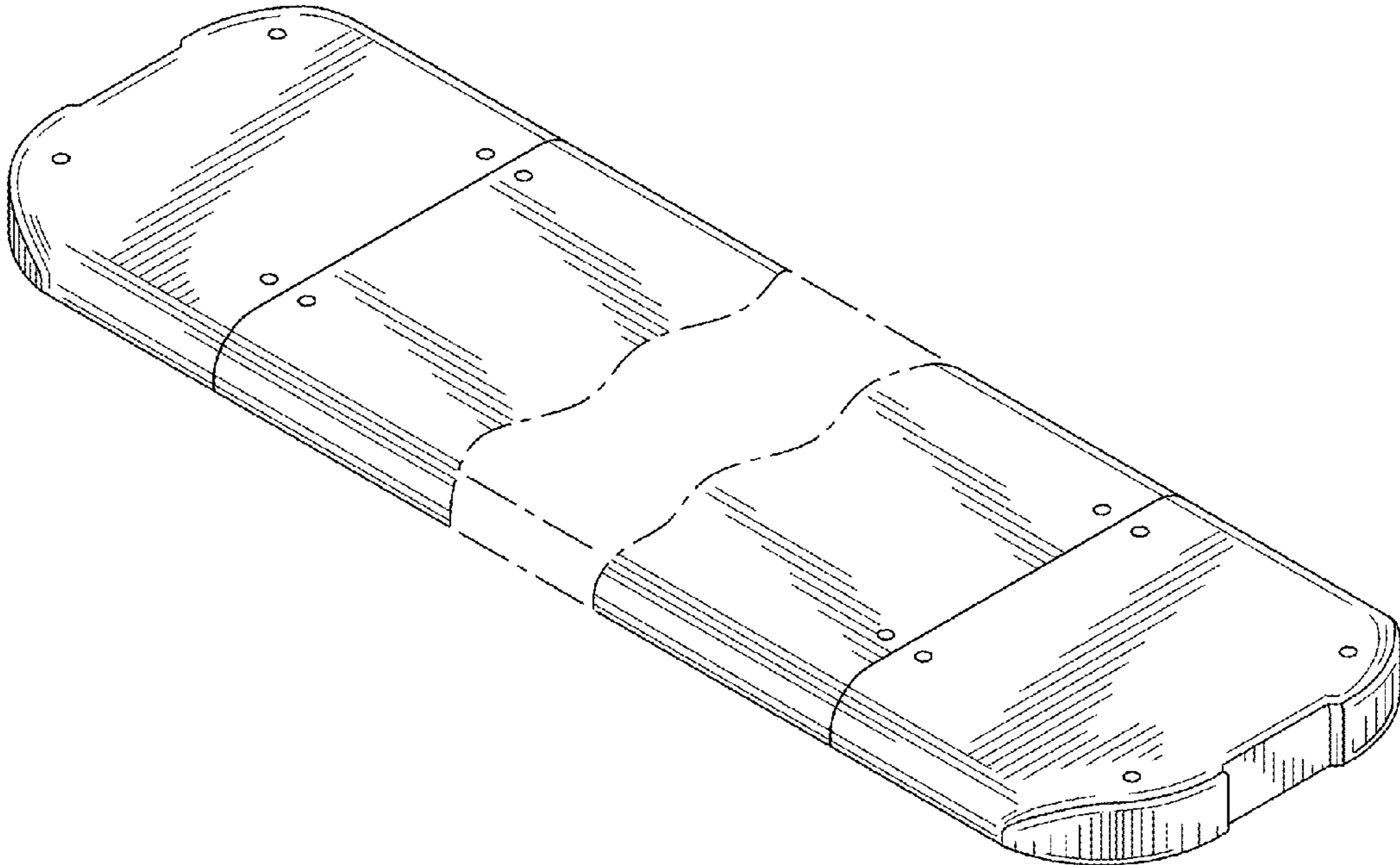


FIG.1

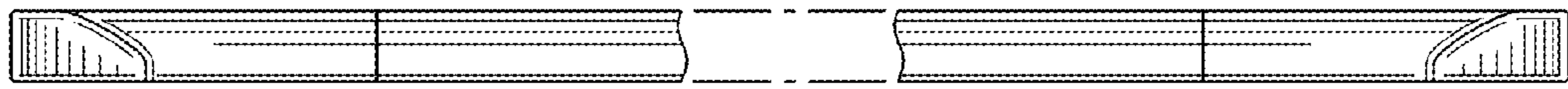


FIG. 2

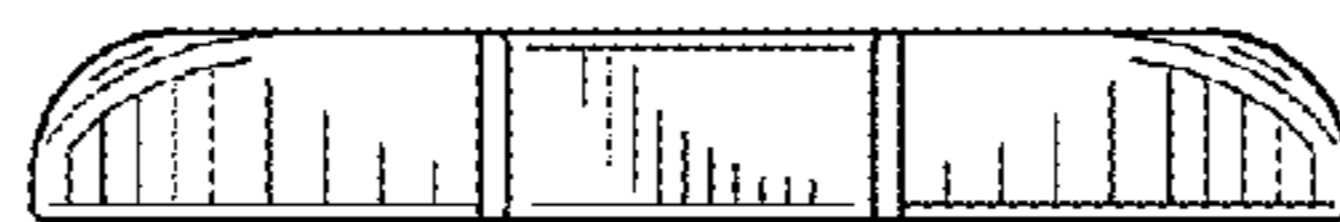


FIG. 3

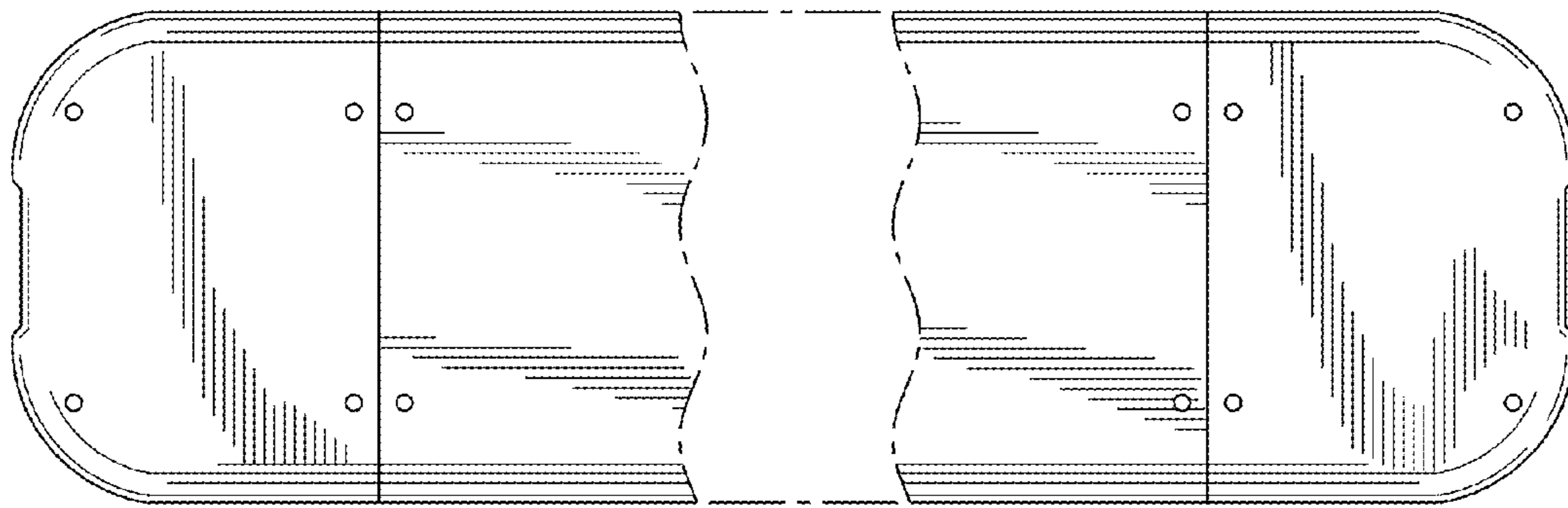


FIG. 4

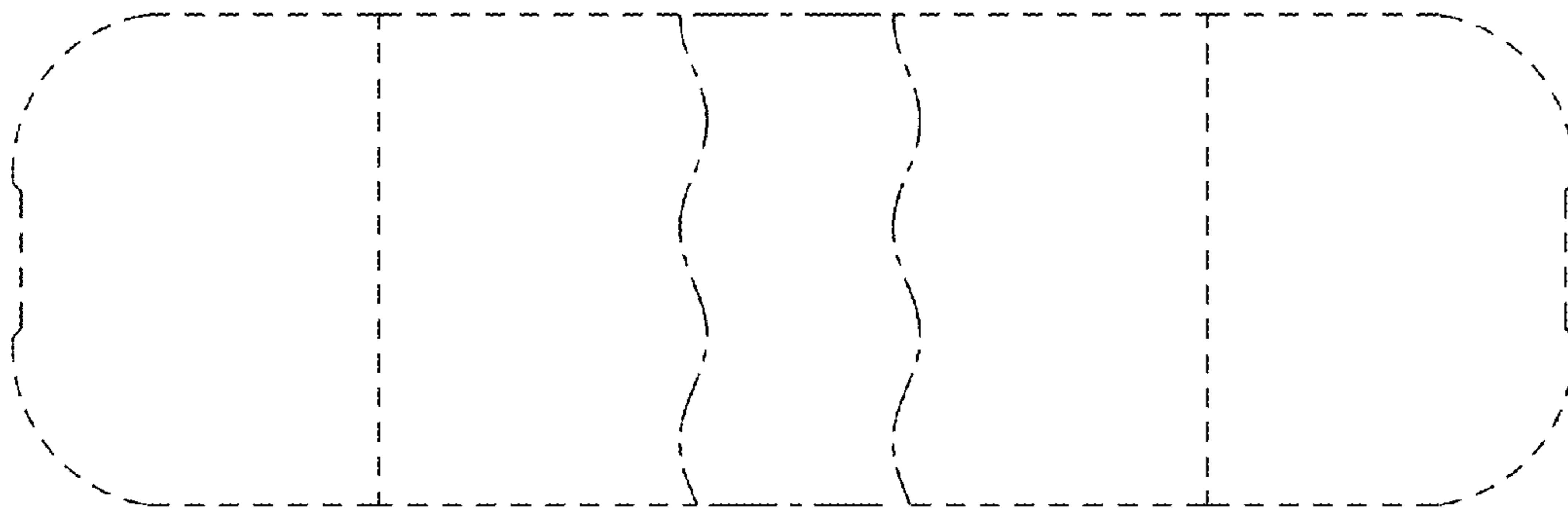


FIG. 5

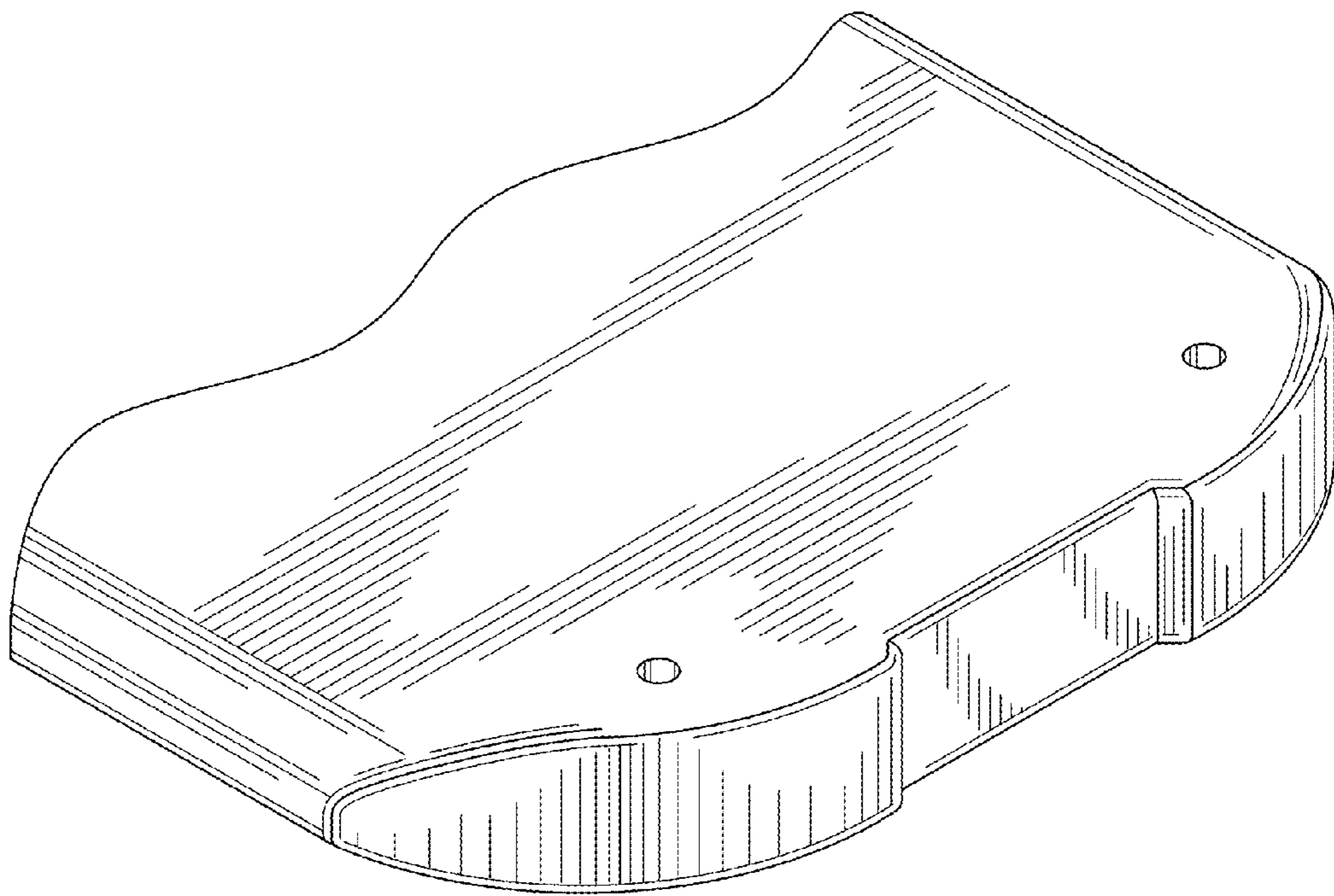


FIG.6