



US00D751443S

(12) **United States Design Patent**  
**Deyaf**

(10) **Patent No.:** **US D751,443 S**  
(45) **Date of Patent:** **\*\* Mar. 15, 2016**

(54) **LIGHT BAR**

(71) Applicant: **SpeedTech Lights Inc.**, Buda, TX (US)

(72) Inventor: **Ahmed Deyaf**, Buda, TX (US)

(73) Assignee: **SpeedTech Lights Inc.**, Buda, TX (US)

(\*\*) Term: **14 Years**

(21) Appl. No.: **29/496,217**

(22) Filed: **Jul. 10, 2014**

(51) **LOC (10) Cl.** ..... **10-05**

(52) **U.S. Cl.**  
USPC ..... **D10/114.4**

(58) **Field of Classification Search**  
USPC ..... D10/114.3–114.4; D26/72, 85  
CPC ..... B60R 1/12  
See application file for complete search history.

(56) **References Cited**

U.S. PATENT DOCUMENTS

D703,082 S \* 4/2014 Deyaf ..... D10/114.4

\* cited by examiner

*Primary Examiner* — George D Kirschbaum

(57) **CLAIM**

The ornamental design for a light bar, as shown.

**DESCRIPTION**

FIG. 1 is a perspective view of a light bar showing my new design;

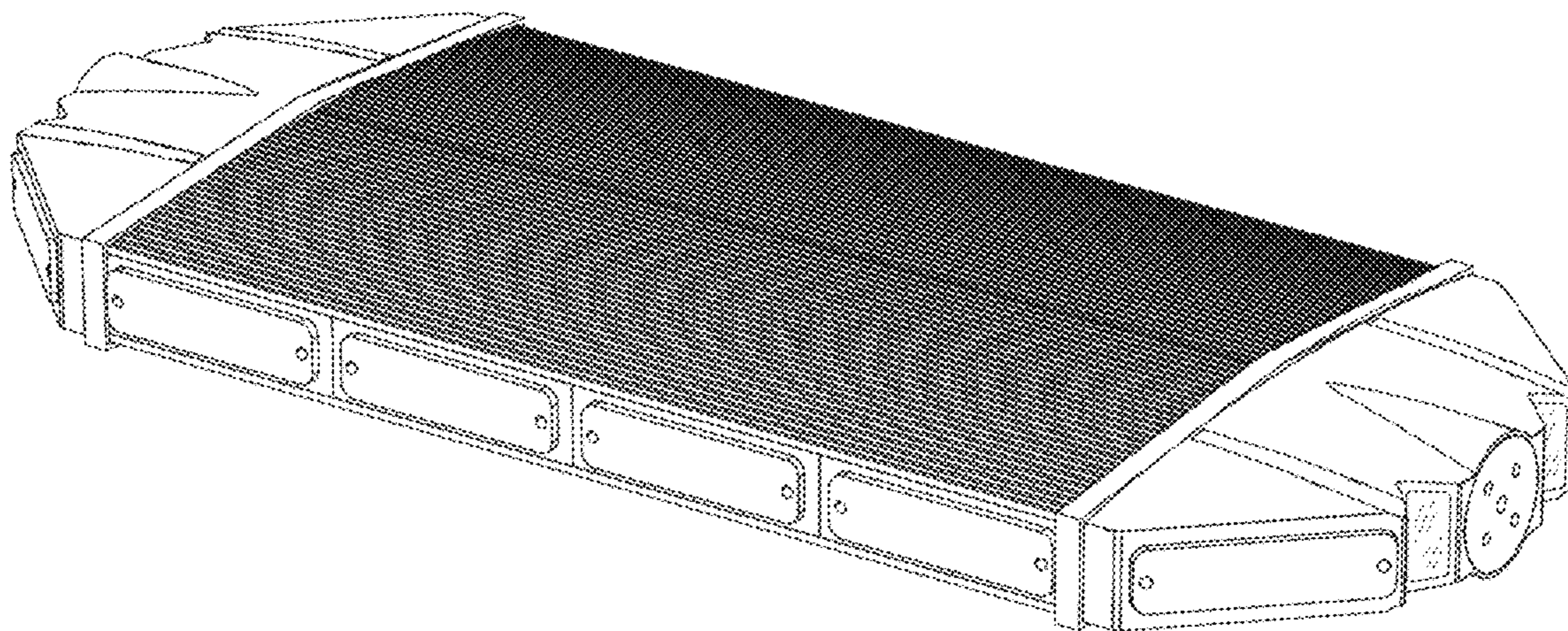
FIG. 2 is a front view thereof, which mirrors the rear view thereof;

FIG. 3 is a left view thereof, which mirrors the right view thereof;

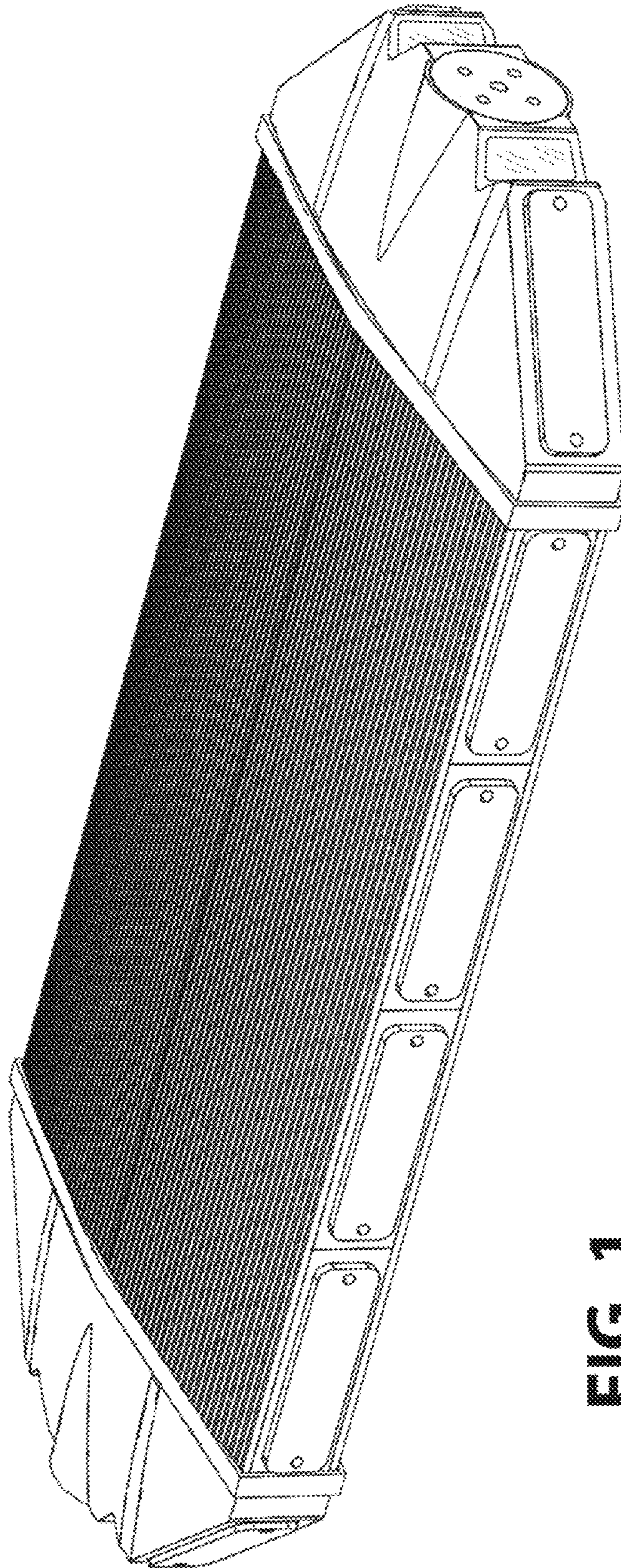
FIG. 4 is a top view thereof; and,

FIG. 5 is a bottom view thereof.

**1 Claim, 3 Drawing Sheets**



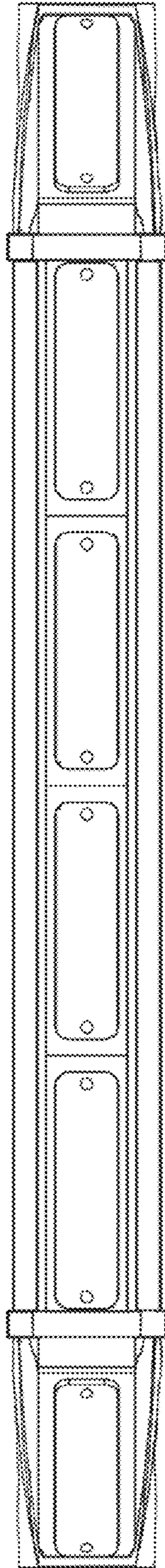




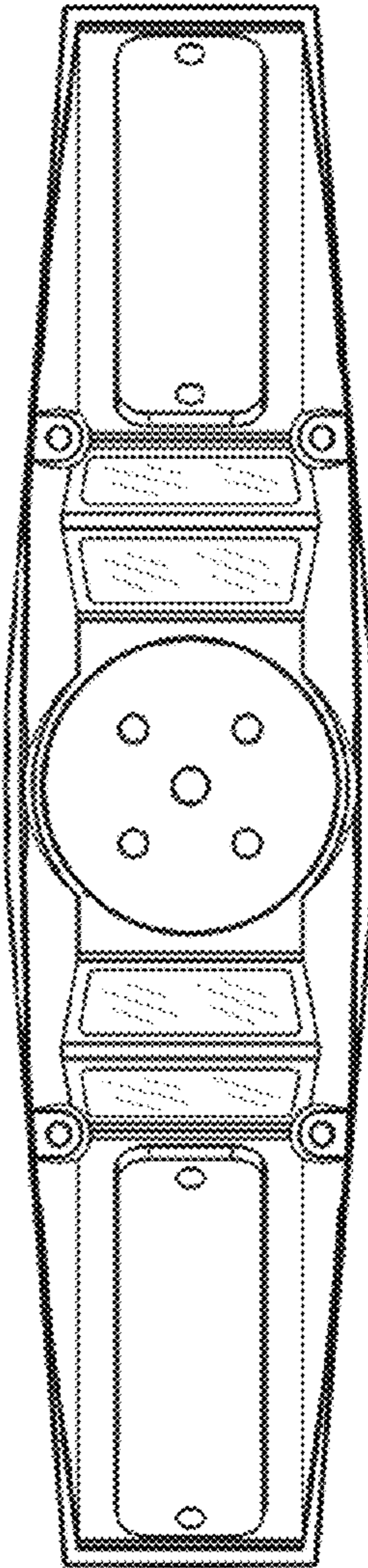
**FIG. 1**



**FIG. 2**

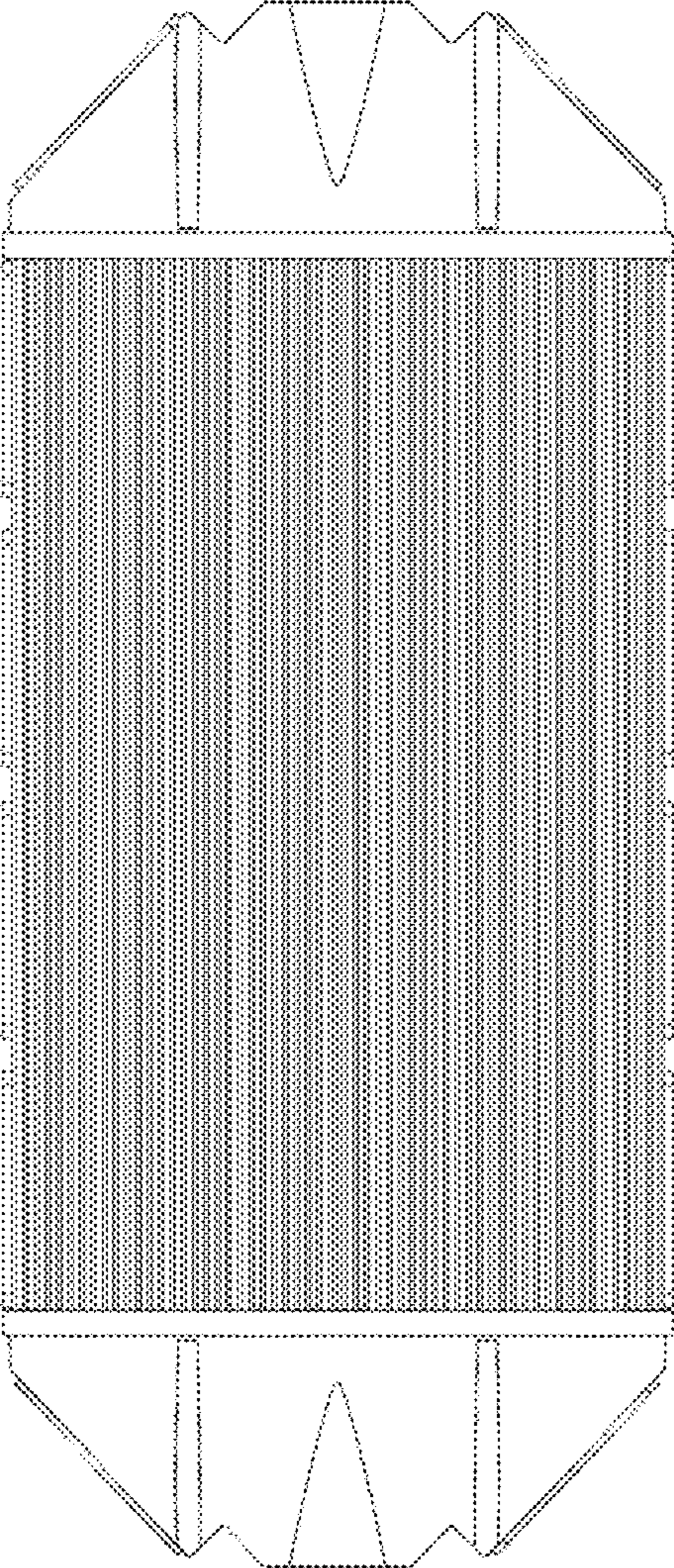


**FIG. 3**





**FIG. 4**



**FIG. 5**

