



US00D751438S

(12) **United States Design Patent**
Lee et al.

(10) **Patent No.:** **US D751,438 S**
(45) **Date of Patent:** **** Mar. 15, 2016**

(54) **RFID READER**
(71) Applicant: **NetHom Co., Ltd.**, Gyeonggi-do (KR)
(72) Inventors: **Gun-Hong Lee**, Seoul (KR); **Sang Youn Kim**, Gyeonggi-do (KR)
(73) Assignee: **NETHOM CO., LTD.**, Gyeonggi-Do (KR)
(**) Term: **14 Years**
(21) Appl. No.: **29/511,879**
(22) Filed: **Dec. 15, 2014**

7,597,250 B2 * 10/2009 Finn B60R 25/25
235/375
D614,628 S * 4/2010 Taylor D14/431
D699,141 S * 2/2014 Walker D10/106.9
D709,304 S * 7/2014 Morin D6/608
8,800,871 B2 * 8/2014 Yeh G06K 7/10316
235/435
D716,304 S * 10/2014 Orthey D14/385
8,878,650 B2 * 11/2014 Shin H04L 9/0637
340/10.1
D723,564 S * 3/2015 Lim D14/428
9,058,552 B2 * 6/2015 Aubert G06K 19/077
D734,194 S * 7/2015 Kastner D10/106.92
9,098,786 B2 * 8/2015 Mehring G06K 19/0717

(30) **Foreign Application Priority Data**
Jun. 16, 2014 (KR) 30-2014-29116
(51) **LOC (10) Cl.** **10-05**
(52) **U.S. Cl.**
USPC **D10/106.9**
(58) **Field of Classification Search**
USPC D14/420, 426, 427, 432, 453, 435, 439,
D14/356, 370, 383, 388; D10/104.1, 106.9,
D10/106.91-94; 235/435, 436, 439, 492,
235/487, 462.45, 462, 47, 462.43;
340/12.51, 13.26; 710/64, 301;
361/679.01, 679.31, 679.45; 345/156,
345/169; 463/1, 46, 47
CPC G06K 7/00; G06K 7/0013; G06K 7/0095
See application file for complete search history.

OTHER PUBLICATIONS

Nethom, Korea Pavilion, Orlando, Florida U.S.A. Exhibition, Publication Date Apr. 2014, 8 pages.

* cited by examiner

Primary Examiner — Prabhakar Deshmukh
(74) *Attorney, Agent, or Firm* — Hahn Loeser + Parks LLP

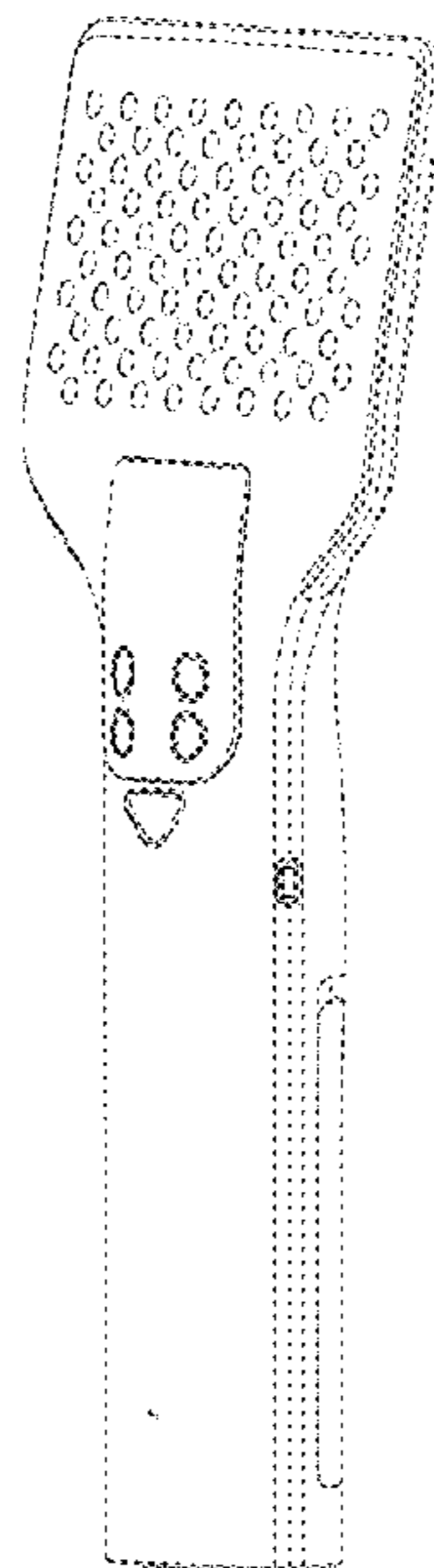
(56) **References Cited**
U.S. PATENT DOCUMENTS
D424,462 S * 5/2000 Suzuki D10/106.9
6,232,870 B1 * 5/2001 Garber G06K 7/0008
235/385

(57) **CLAIM**
The ornamental design for an RFID reader, as shown and described.

DESCRIPTION

FIG. 1 is a perspective view of a RFID reader showing our new design;
FIG. 2 is a front view thereof;
FIG. 3 is a rear view thereof;
FIG. 4 is a left side view thereof;
FIG. 5 is a right side view thereof;
FIG. 6 is a top view thereof; and,
FIG. 7 is a bottom view thereof.

1 Claim, 6 Drawing Sheets



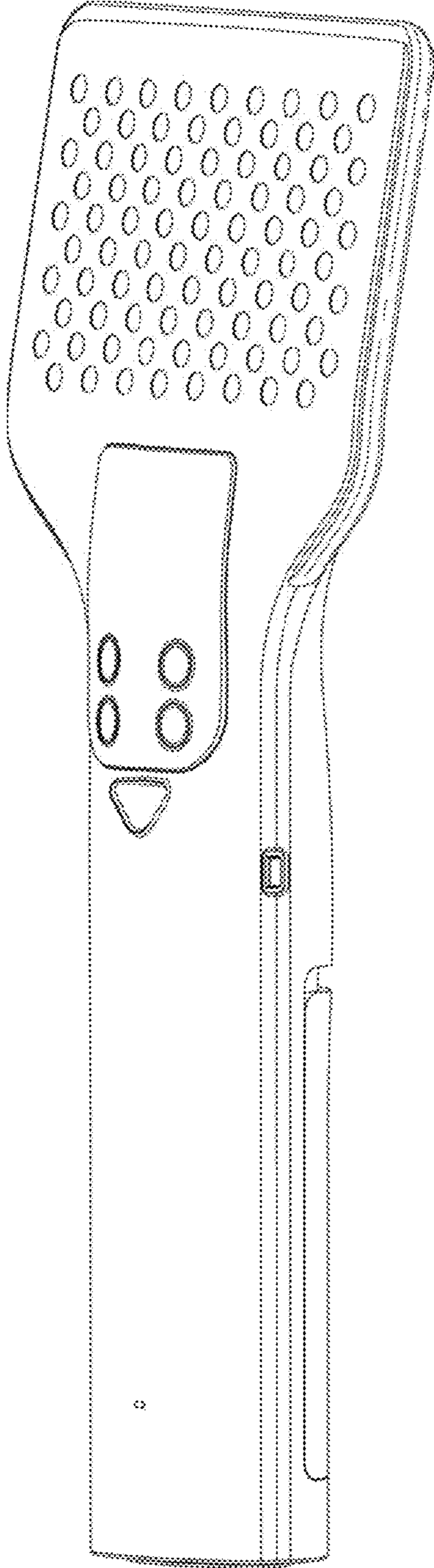


FIG. 1

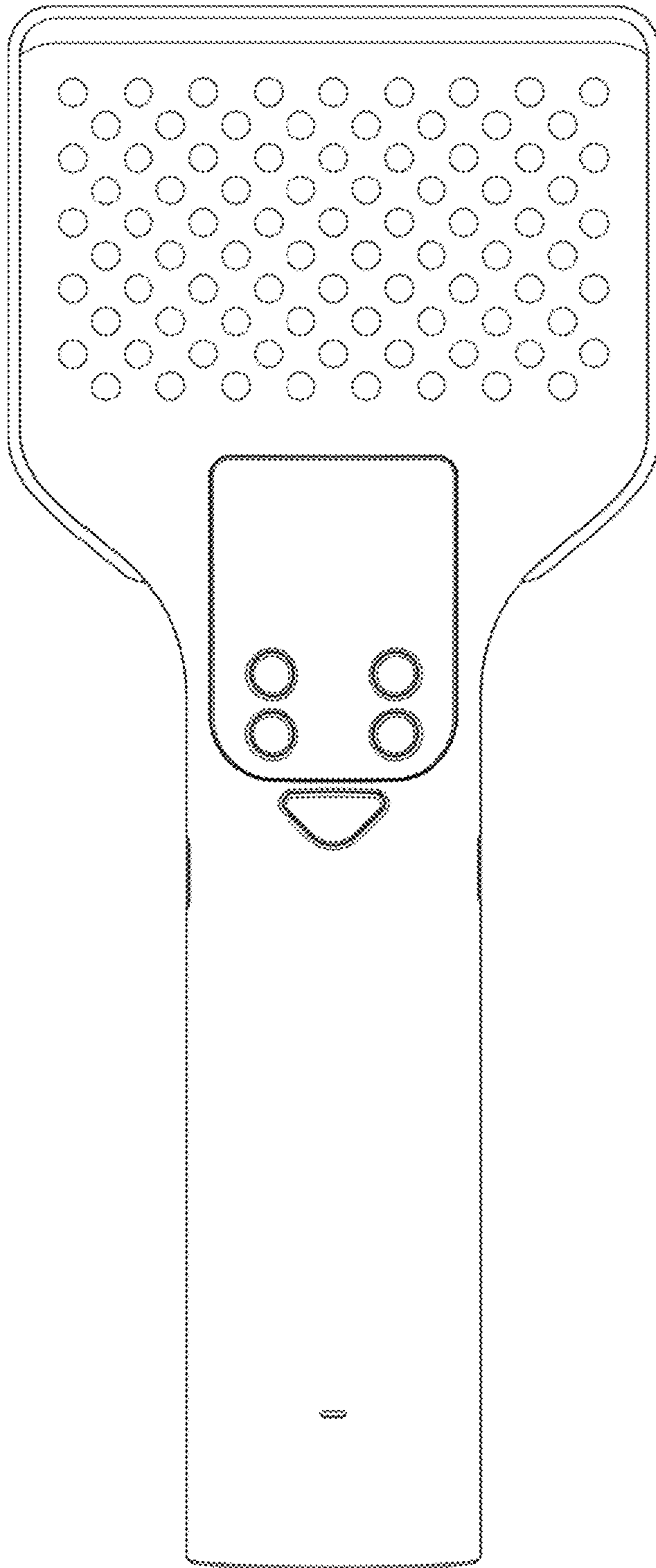


FIG. 2

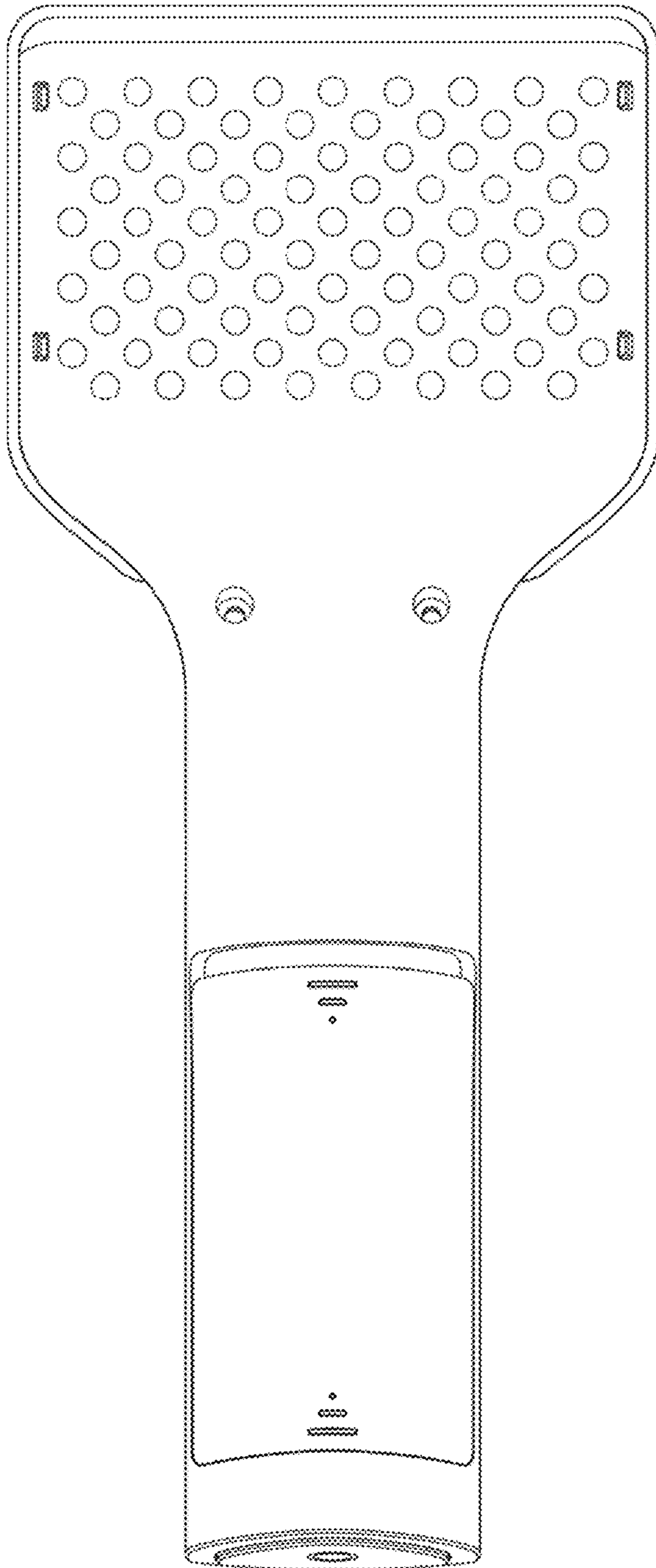


FIG. 3

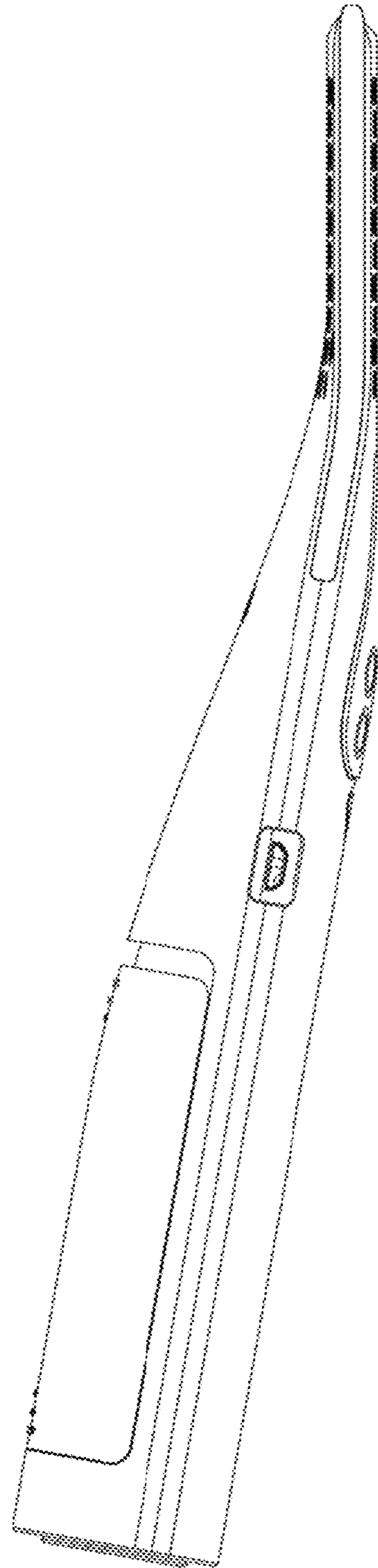


FIG. 4

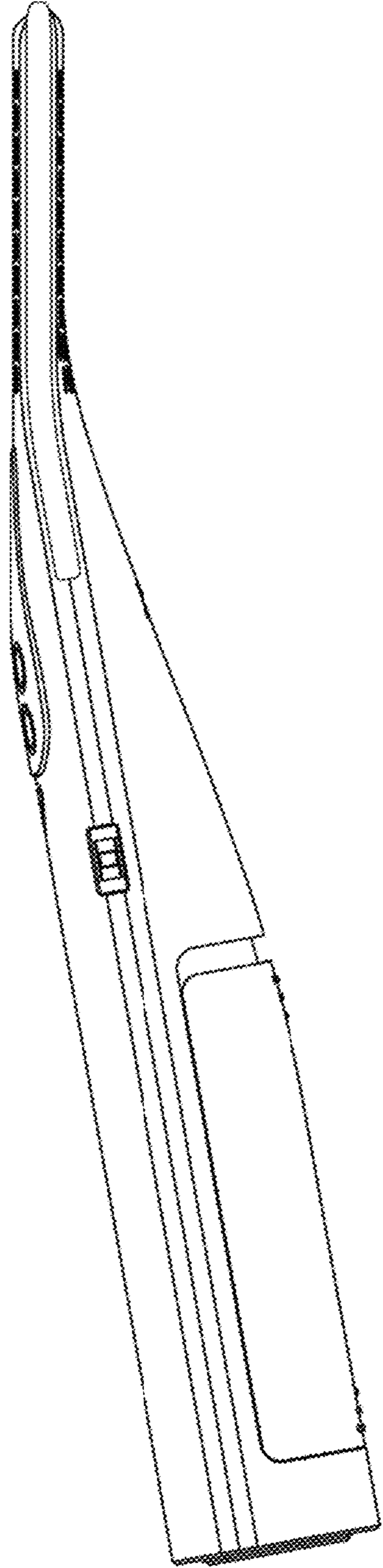


FIG. 5

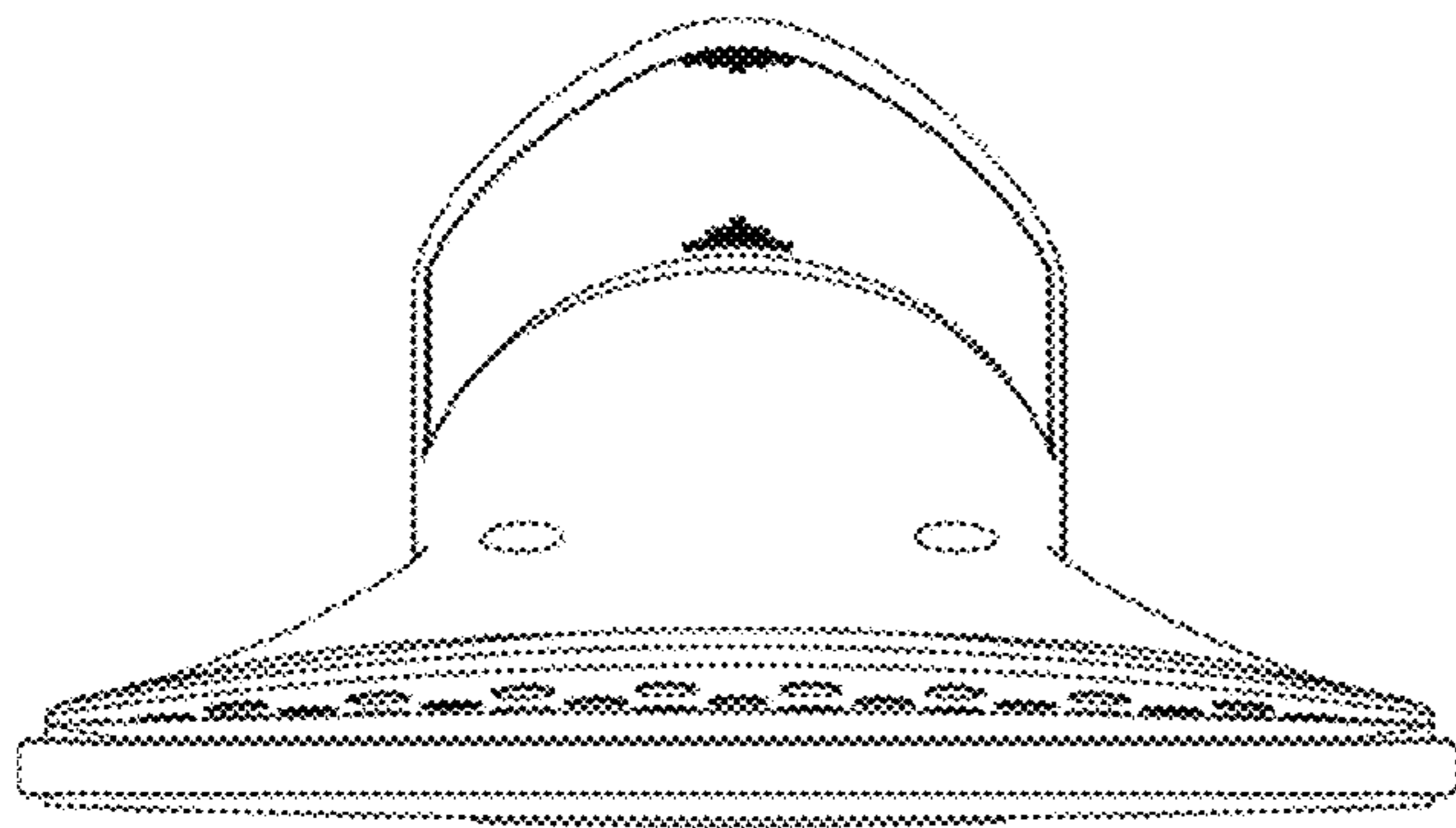


FIG. 6

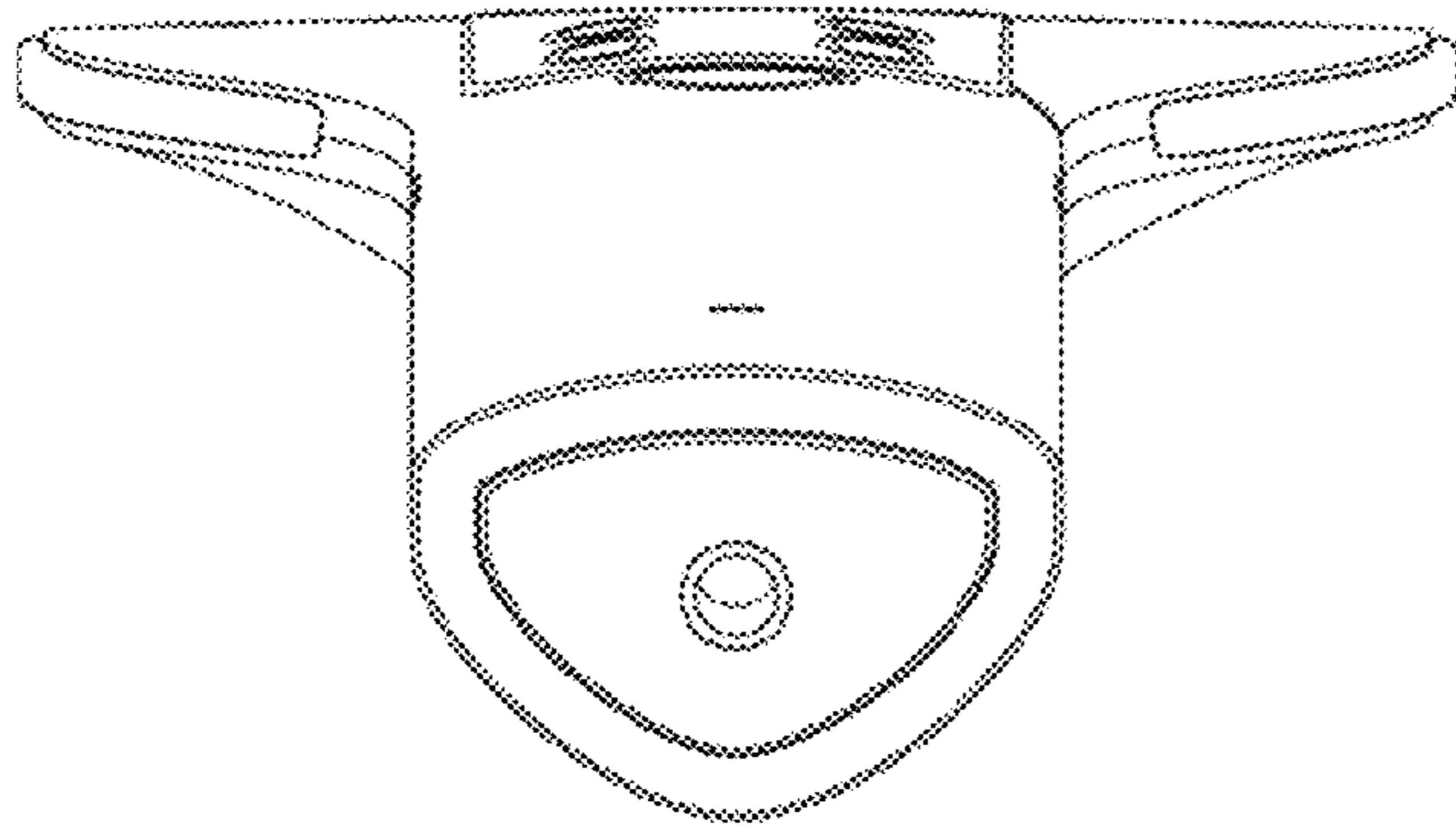


FIG. 7