



US00D751437S

(12) **United States Design Patent**
Lisseman

(10) **Patent No.:** **US D751,437 S**
(45) **Date of Patent:** **** Mar. 15, 2016**

(54) **VEHICLE OCCUPANT MONITOR**

FOREIGN PATENT DOCUMENTS

(71) Applicant: **TK Holdings Inc.**, Auburn Hills, MI
(US)

WO 2012135018 A2 10/2012

(72) Inventor: **Jason Carl Lisseman**, Shelby Township,
MI (US)

OTHER PUBLICATIONS

“How Automakers are Fighting ‘Alarm Fatigue’”. Found online Oct.
13, 2015 at www.wired.com. Page dated Feb. 25, 2013. Retrieved
from <http://www.wired.com/2013/02/fighting-alarm-fatigue/>.*

(73) Assignee: **TK Holdings Inc.**, Auburn Hills, MI
(US)

(Continued)

(**) Term: **14 Years**

Primary Examiner — Robert M Spear

Assistant Examiner — Kendra L Hamilton

(21) Appl. No.: **29/513,378**

(74) *Attorney, Agent, or Firm* — Meunier Carlin & Curfman
LLC

(22) Filed: **Dec. 30, 2014**

(51) **LOC (10) Cl.** **10-05**

(57) **CLAIM**

(52) **U.S. Cl.**

The ornamental design for a vehicle occupant monitor, as
shown and described.

USPC **D10/104.1**; D12/177

(58) **Field of Classification Search**

DESCRIPTION

USPC D12/175, 176, 177, 223; 74/552, 558,
74/558.5; D11/120; D21/398, 400, 707;
219/202, 204; D10/104.1, 106.6, 106.7
CPC B60N 3/005; A47B 13/02; B62D 1/06;
B29C 44/06

See application file for complete search history.

FIG. 1 is a front perspective view of a vehicle occupant
monitor, showing my new design.

FIG. 2 is a front elevation view of the vehicle occupant moni-
tor shown in FIG. 1.

FIG. 3 is a rear elevation view of the vehicle occupant monitor
shown in FIG. 1.

FIG. 4 is a right side view of the vehicle occupant monitor
shown in FIG. 1.

FIG. 5 is a left side view of the vehicle occupant monitor
shown in FIG. 1.

FIG. 6 is a top plan view of the vehicle occupant monitor
shown in FIG. 1; and,

FIG. 7 is a bottom plan view of the vehicle occupant monitor
shown in FIG. 1.

The broken lines in the above-described figures illustrate
various rotatable portions of a steering wheel assembly to
which the vehicle occupant monitor system is coupled. The
broken lines are provided for illustrative purposes only and
form no part of the claimed design.

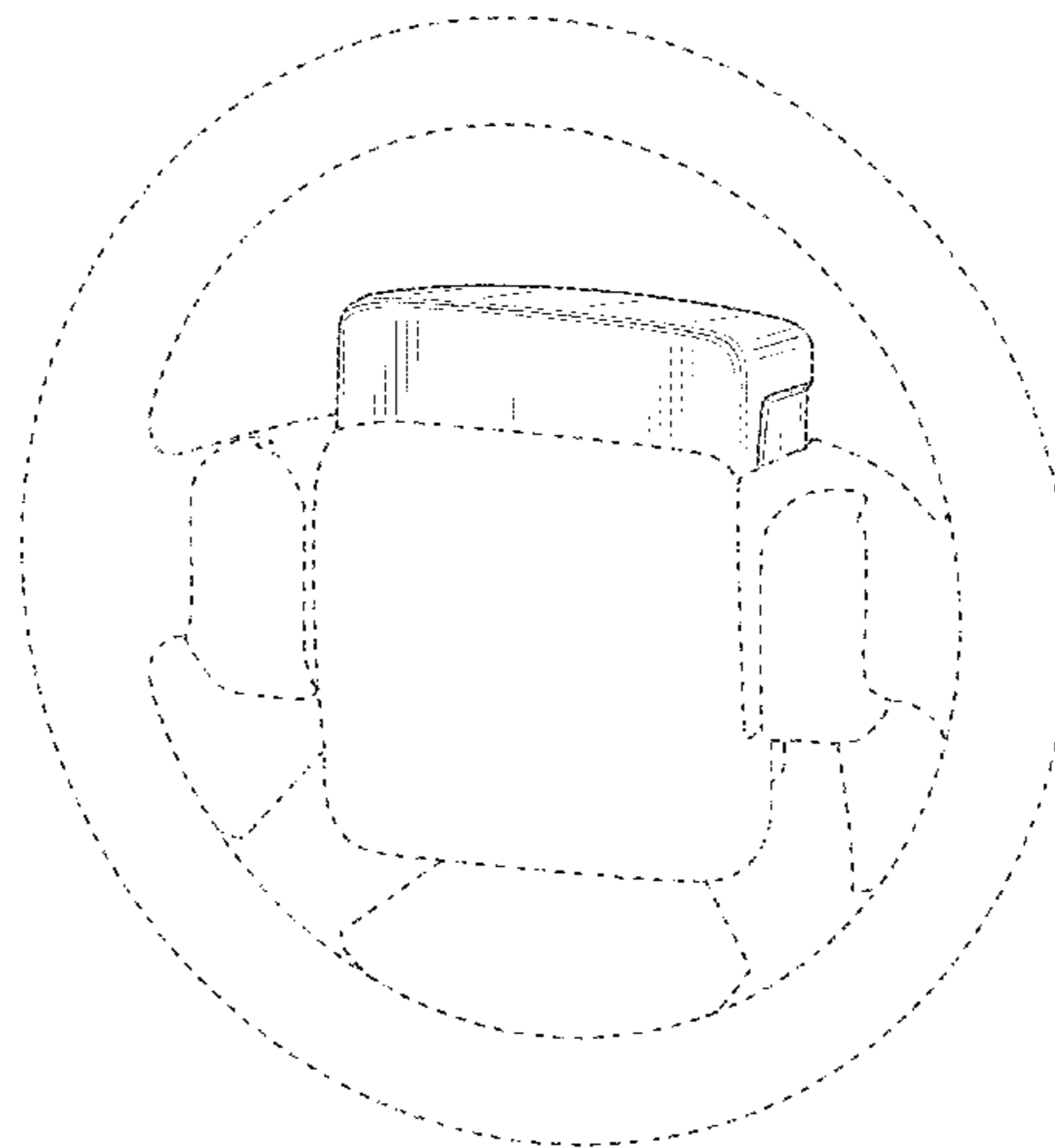
(56) **References Cited**

U.S. PATENT DOCUMENTS

D276,037 S * 10/1984 Montgomery D12/177
5,749,744 A 5/1998 Henderson et al.
5,801,763 A 9/1998 Suzuki
5,878,156 A 3/1999 Okumura
D415,442 S * 10/1999 Ikeda D10/106.6
6,097,295 A 8/2000 Griesinger et al.
6,736,657 B2 5/2004 Bonn
6,831,993 B2 12/2004 Lemelson et al.
6,952,498 B2 10/2005 Ishikura
6,989,754 B2 1/2006 Kisacanin et al.
7,138,922 B2 11/2006 Strumolo et al.
D571,244 S * 6/2008 Barrantes D10/104.1
7,423,540 B2 9/2008 Kisacanin

(Continued)

1 Claim, 5 Drawing Sheets



(56)

References Cited

U.S. PATENT DOCUMENTS

7,427,924 B2 9/2008 Ferrone et al.
 7,450,016 B2 11/2008 Isaji et al.
 7,522,752 B2 4/2009 Adachi et al.
 7,570,785 B2 8/2009 Breed
 7,580,545 B2 8/2009 Venkatesh et al.
 7,592,920 B2 9/2009 Kopf et al.
 7,596,242 B2 9/2009 Breed et al.
 7,663,495 B2 2/2010 Haque et al.
 7,686,337 B2* 3/2010 Myers B62D 1/16
 280/779
 7,777,778 B2 8/2010 Scharenbroch et al.
 7,791,491 B2 9/2010 Johns
 7,826,964 B2 11/2010 Lee et al.
 D628,523 S * 12/2010 Daniel D12/177
 7,853,051 B2 12/2010 Ota
 7,868,771 B2 1/2011 Yamada et al.
 8,063,972 B2 11/2011 Chiu
 8,144,992 B2 3/2012 Koumura
 8,152,198 B2 4/2012 Breed et al.
 D661,211 S * 6/2012 Hou D10/104.1
 8,300,891 B2 10/2012 Chen et al.
 D670,628 S * 11/2012 Tasaki D12/176
 8,314,707 B2 11/2012 Kobetski et al.
 8,340,368 B2 12/2012 Lee
 8,384,555 B2 2/2013 Rosen
 8,391,554 B2 3/2013 Lee et al.

D680,459 S * 4/2013 Corso D10/106.6
 8,435,188 B2 5/2013 Ohue et al.
 8,457,364 B2 6/2013 Hiroshi
 8,482,626 B2 7/2013 Chen et al.
 8,548,209 B2 10/2013 Lung
 8,587,440 B2 11/2013 Weng et al.
 8,599,027 B2 12/2013 Sanchez
 8,698,639 B2 4/2014 Fung et al.
 8,724,858 B2 5/2014 Kawakubo
 8,783,132 B2 7/2014 Neumann et al.
 D710,270 S * 8/2014 Kanki D12/176
 D713,277 S * 9/2014 Hasegawa D10/106.6
 8,823,826 B2 9/2014 Chen et al.
 8,824,739 B2 9/2014 Hiramaki
 8,902,070 B2 12/2014 Kobetski et al.
 D737,709 S * 9/2015 Hulan D10/104.1
 2010/0043588 A1* 2/2010 Fukawatase B60R 25/2063
 74/492
 2010/0083787 A1* 4/2010 Buchheit B62D 1/187
 74/493
 2012/0169503 A1 7/2012 Wu et al.

OTHER PUBLICATIONS

“Monitor System Steers Drivers Clear of Accidents”. Found online Oct. 13, 2015 at www.wired.com. Page dated May 8, 2007. Retrieved from http://www.wired.com/2007/05/monitor_system/.*

* cited by examiner

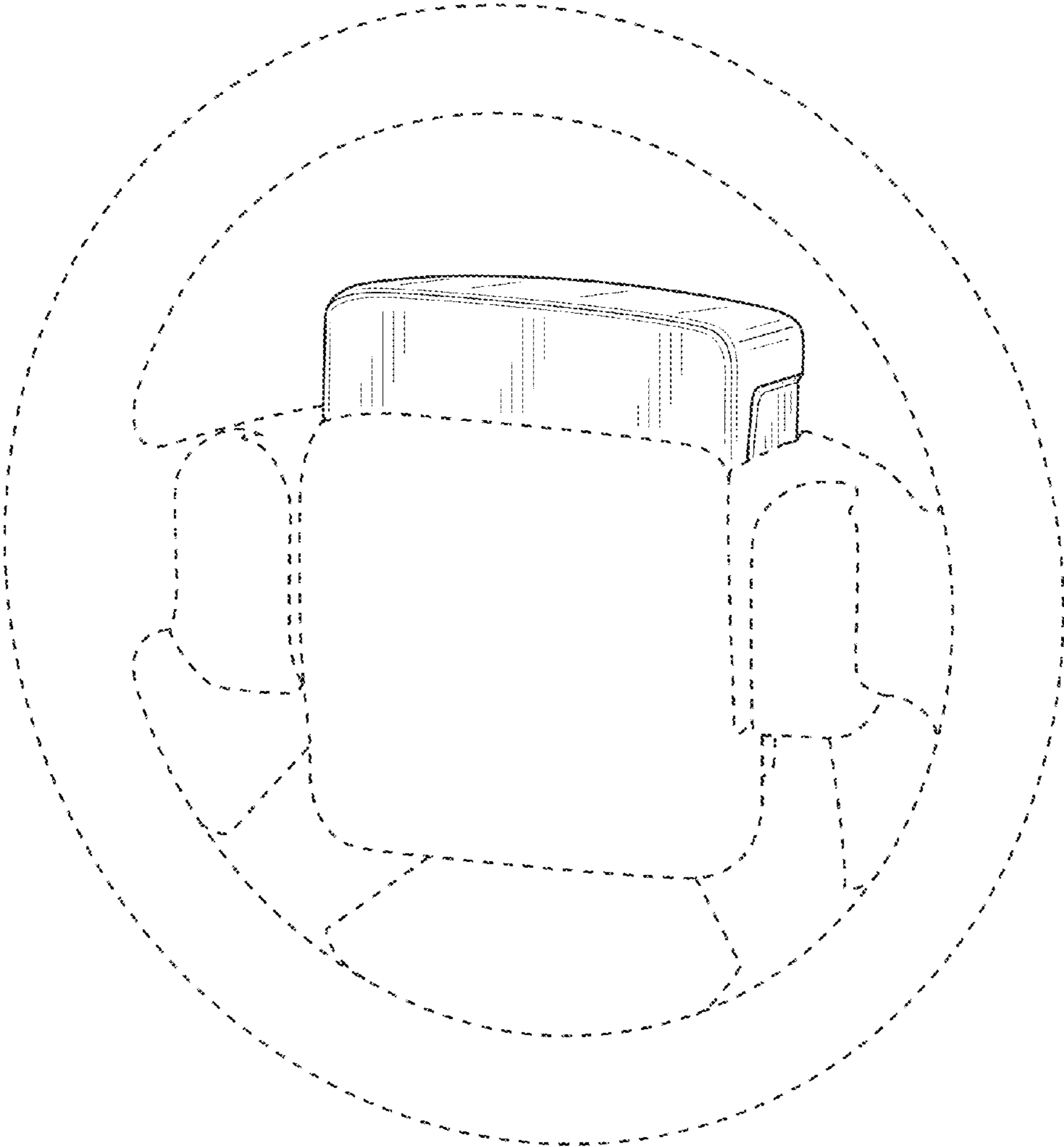


FIG. 1

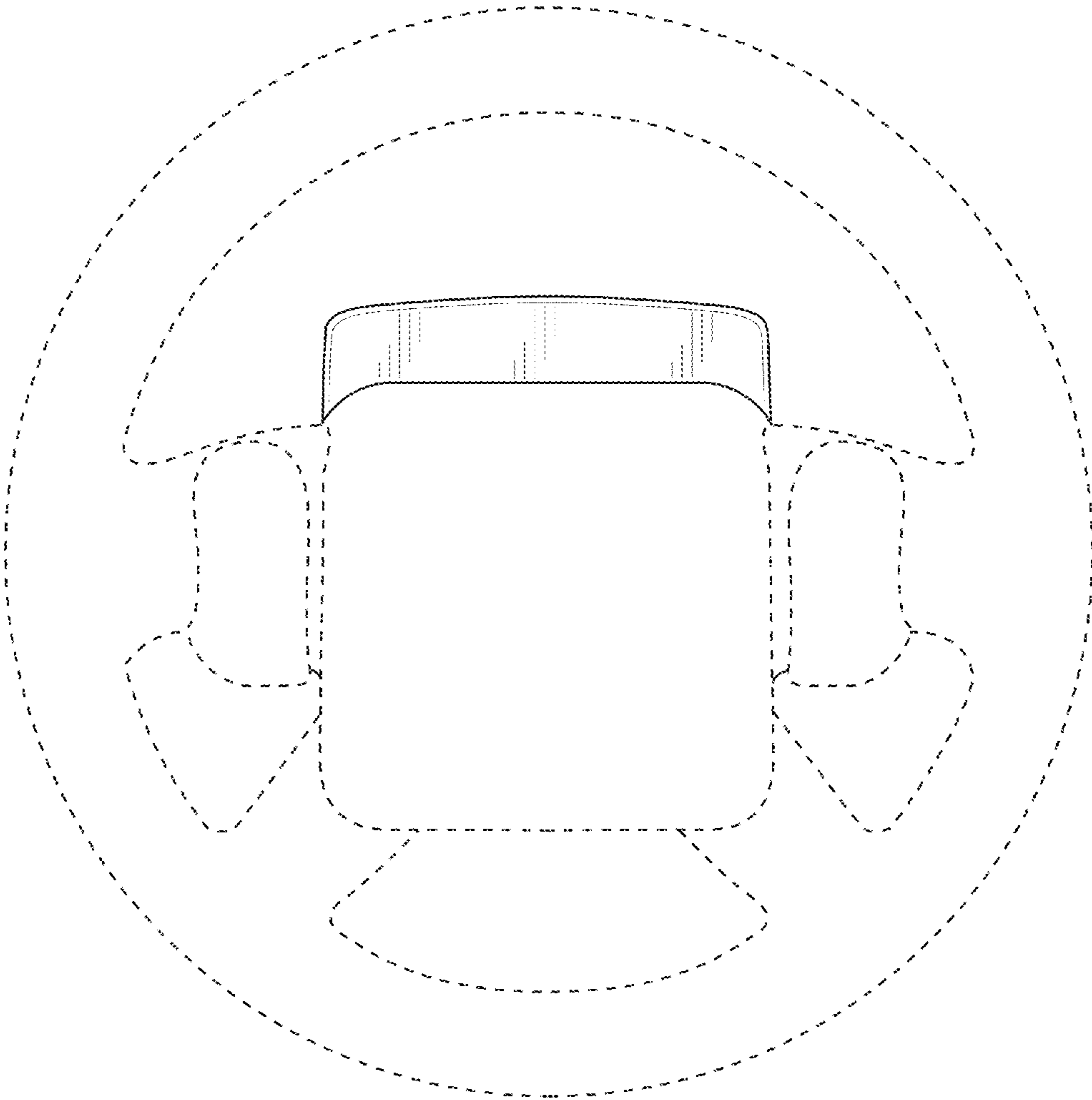


FIG. 2

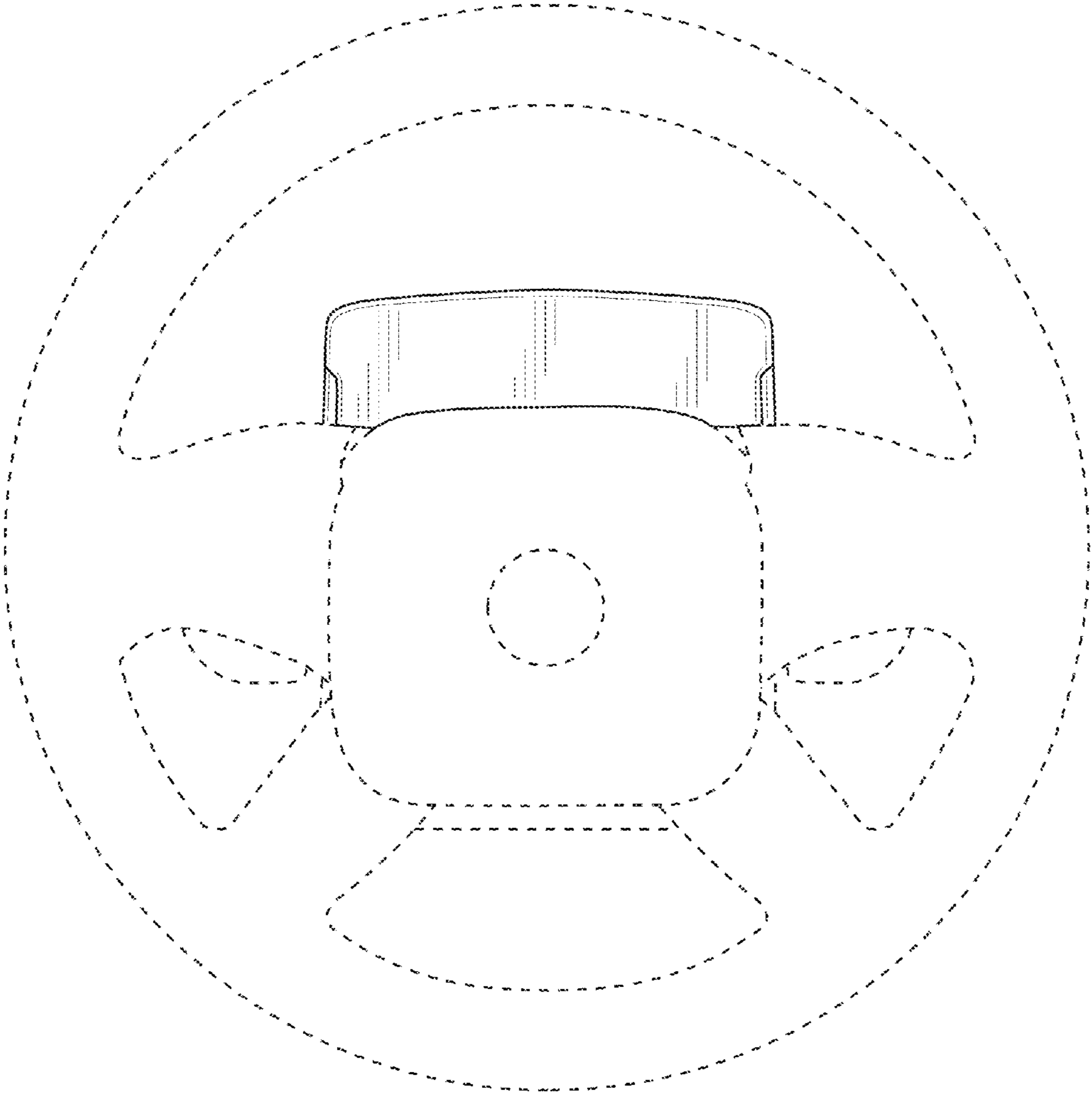


FIG. 3

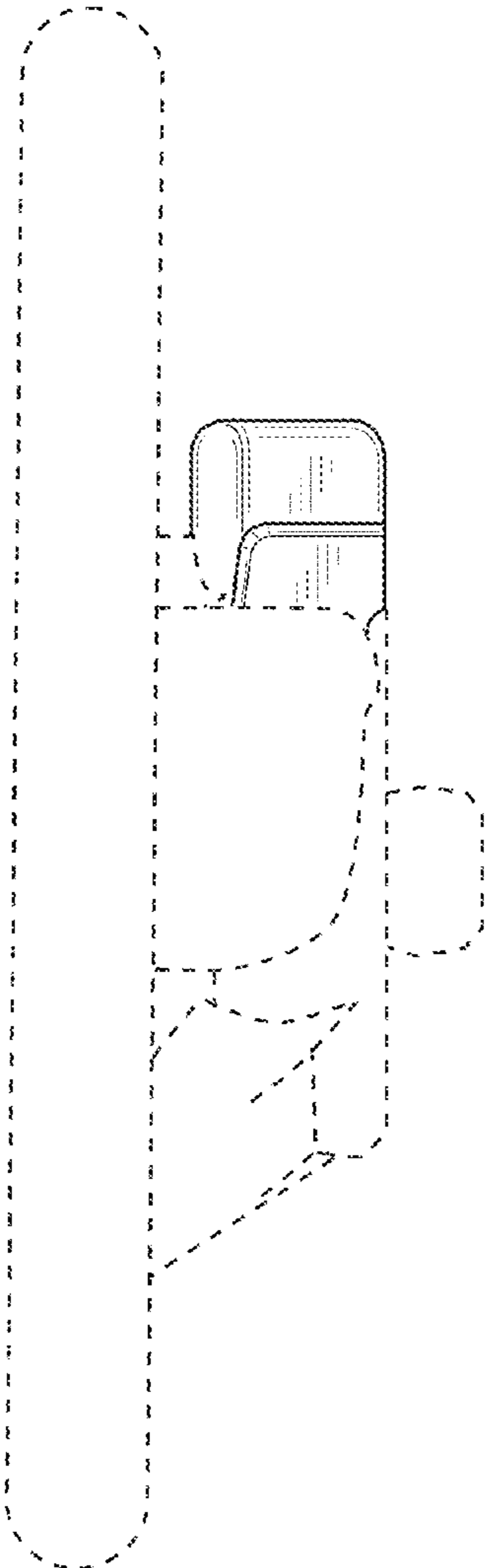


FIG. 4

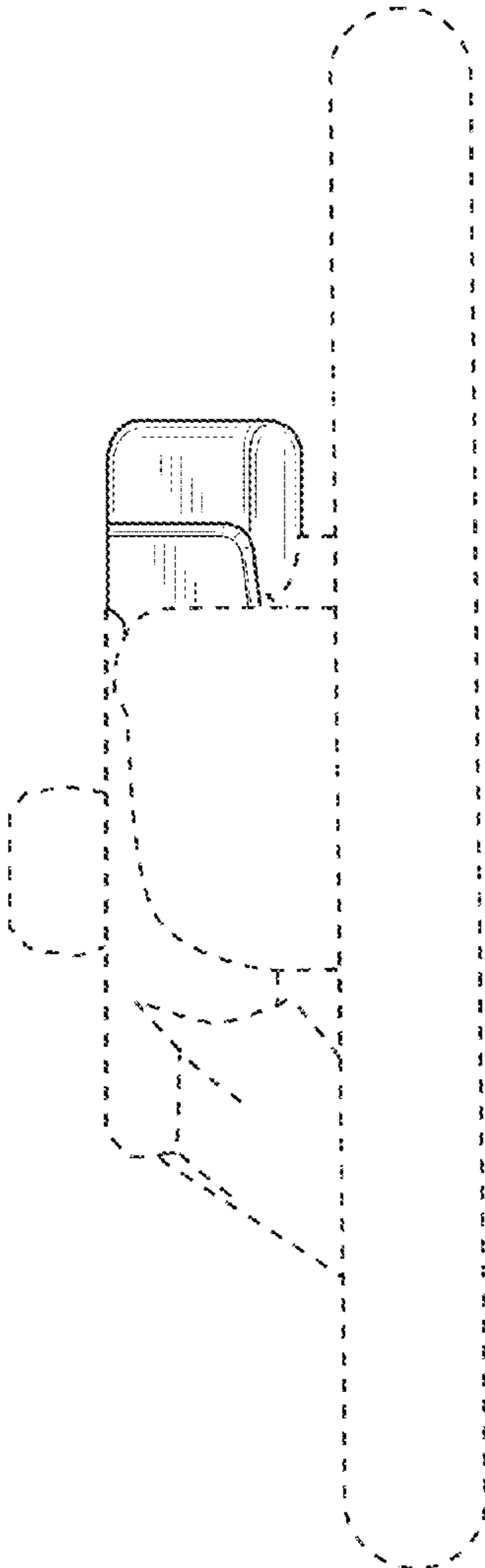


FIG. 5

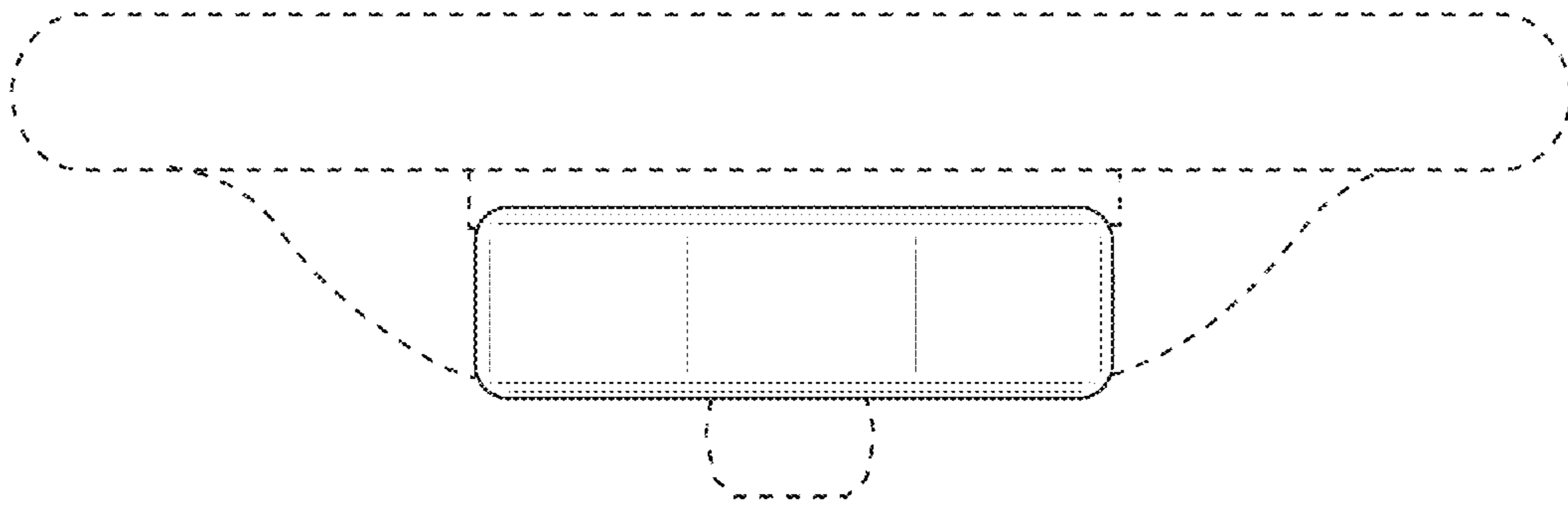


FIG. 6

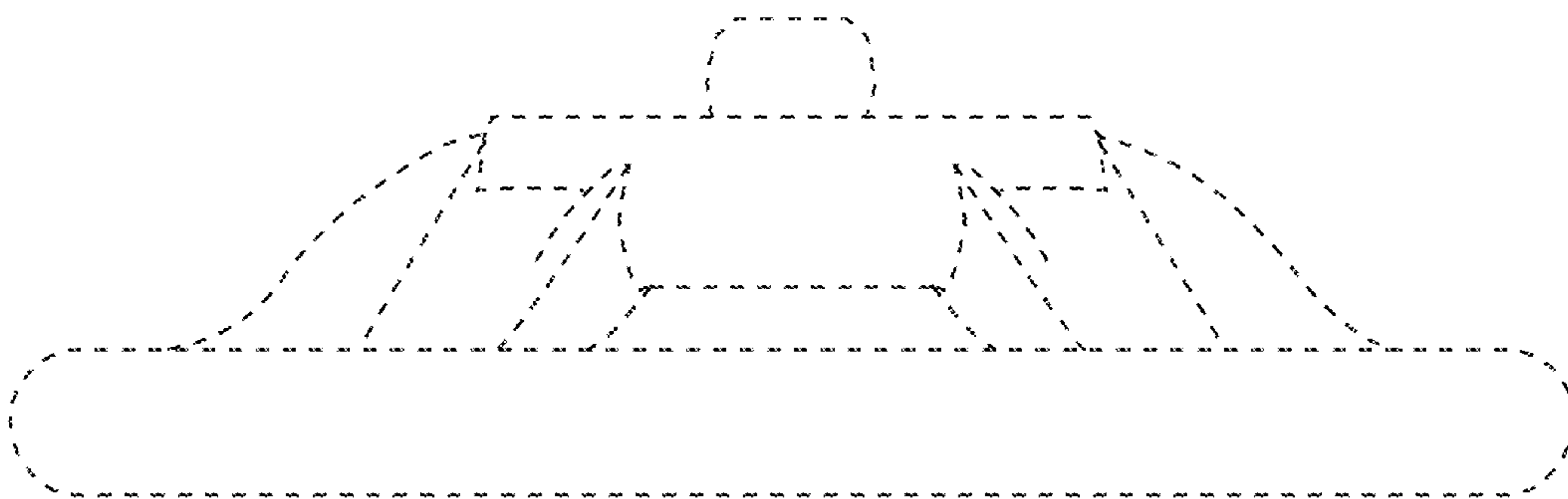


FIG. 7