

US00D751435S

(12) **United States Design Patent**
Goldring

(10) **Patent No.:** **US D751,435 S**
(45) **Date of Patent:** **** Mar. 15, 2016**

- (54) **HAND-HELD SPECTROMETER**
- (71) Applicant: **Verifood, Ltd.**, Herzliya (IL)
- (72) Inventor: **Damian Goldring**, Tel Aviv (IL)
- (73) Assignee: **VERIFOOD, LTD.**, Herzliya (IL)
- (**) Term: **14 Years**
- (21) Appl. No.: **29/516,803**
- (22) Filed: **Feb. 5, 2015**
- (51) **LOC (10) Cl.** **10-04**
- (52) **U.S. Cl.**
USPC **D10/81; D10/78**
- (58) **Field of Classification Search**
USPC **D10/78, 81**
CPC **G01J 1/44; G01J 3/02; G01J 3/0229;**
G01J 3/0232; G01J 3/0256; G01J 3/0264;
G01J 3/0286; G01J 3/0297; G01J 3/1895;
G01J 3/4338; G01J 3/44; G01J 3/0272;
G01J 3/0208; G01J 3/0291; G01J 3/443;
G01J 3/463; G01J 3/502
See application file for complete search history.

2010/0210929 A1* 8/2010 Jossart et al. 600/323
 2013/0016337 A1* 1/2013 Gardner et al. 356/51
 2014/0293091 A1 10/2014 Rhoads et al.

FOREIGN PATENT DOCUMENTS

WO WO 99/53350 A1 10/1999

OTHER PUBLICATIONS

Scio Kickstarter Campaign launched on Apr. 28, 2014 screenshots.
 Scio Kickstarter Campaign: Your Sixth Sense. A Pocket Molecular
 Sensor For All! launced on Apr. 29, 2014.

* cited by examiner

Primary Examiner — Antoine D Davis

(74) *Attorney, Agent, or Firm* — Wilson Sonsini Goodrich &
 Rosati

(57) **CLAIM**

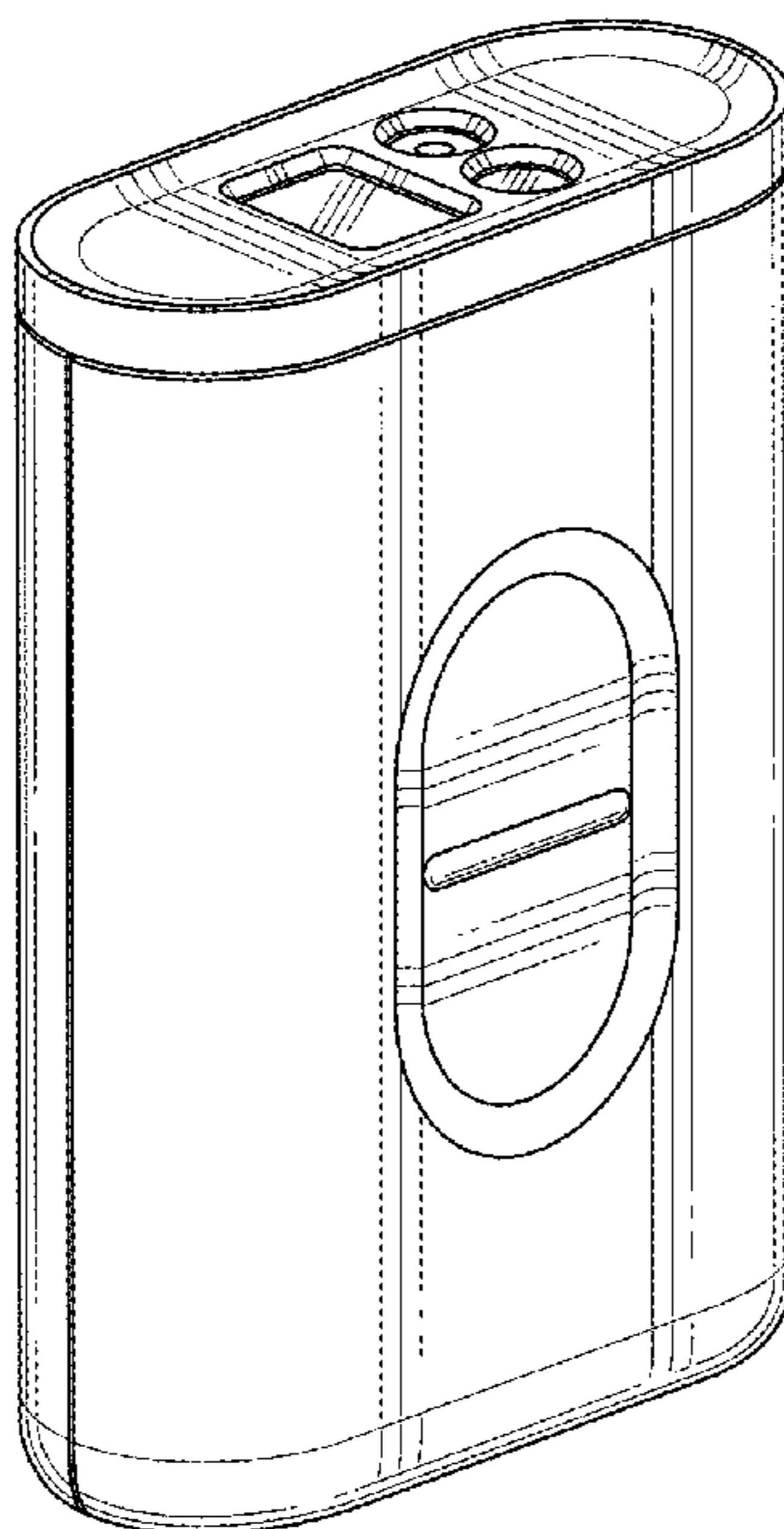
The ornamental design for a hand-held spectrometer, as
 shown and described.

DESCRIPTION

FIG. 1 is an isometric view of a hand-held spectrometer;
 FIG. 2 is another isometric view of a hand-held spectrometer;
 FIG. 3 is a top view of a hand-held spectrometer;
 FIG. 4 is a bottom view of a hand-held spectrometer;
 FIG. 5 is a side view of a hand-held spectrometer;
 FIG. 6 is another side view of a hand-held spectrometer;
 FIG. 7 is a front (“head”) view of a hand-held spectrometer;
 and,
 FIG. 8 is a rear view of a hand-held spectrometer.
 The broken lines in FIGS. 1-8 are for illustrative purposes
 only and form no part of the claimed design.

- (56) **References Cited**
- U.S. PATENT DOCUMENTS**
- 6,031,233 A 2/2000 Levin et al.
- 7,535,617 B2 5/2009 Gupta et al.
- 7,667,740 B2 2/2010 Hofer
- 7,986,193 B2 7/2011 Krah
- 2007/0230932 A1 10/2007 Tanaka et al.
- 2008/0061236 A1 3/2008 Meredith et al.
- 2008/0204578 A1 8/2008 Scheuch et al.

1 Claim, 6 Drawing Sheets



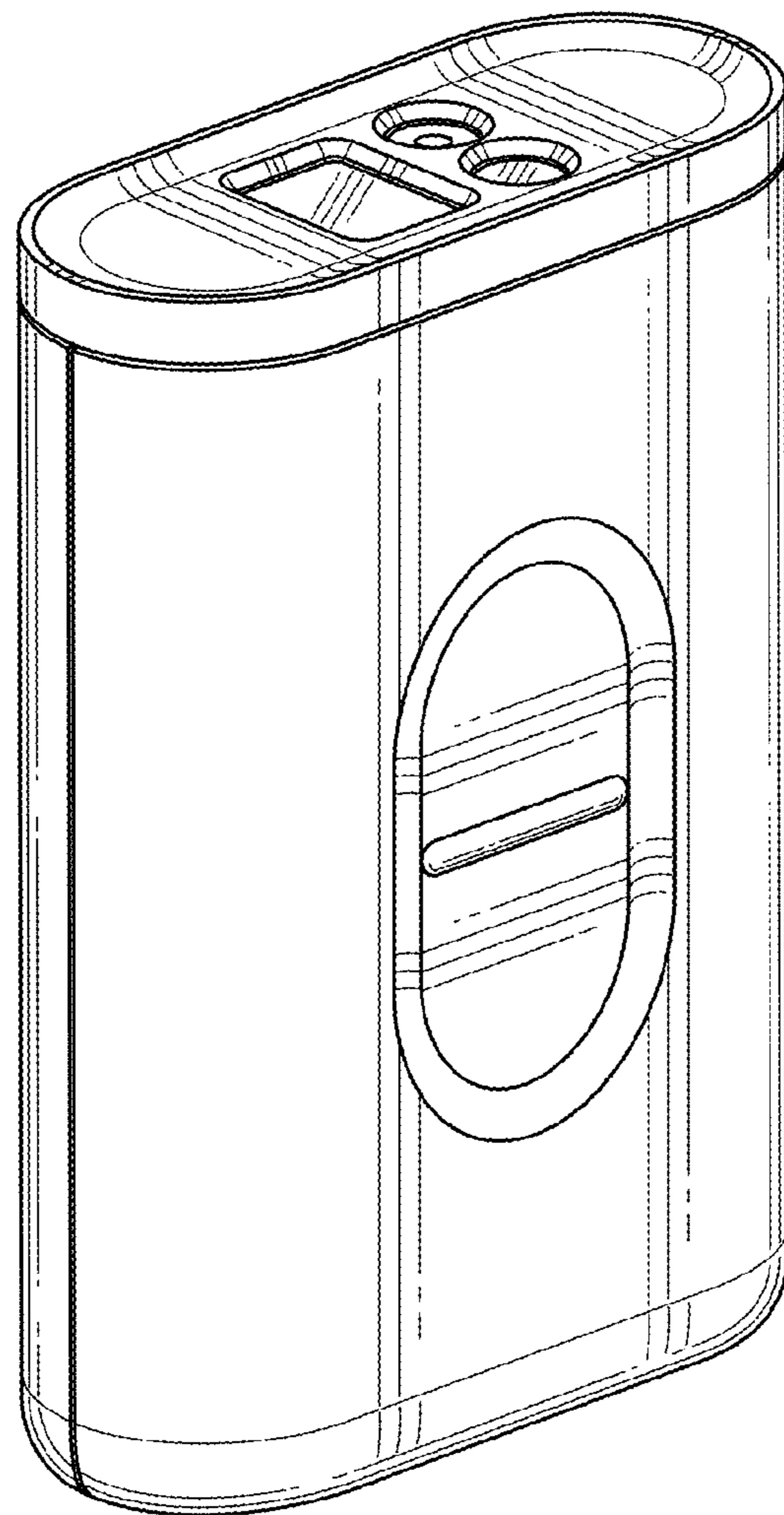


FIG. 1

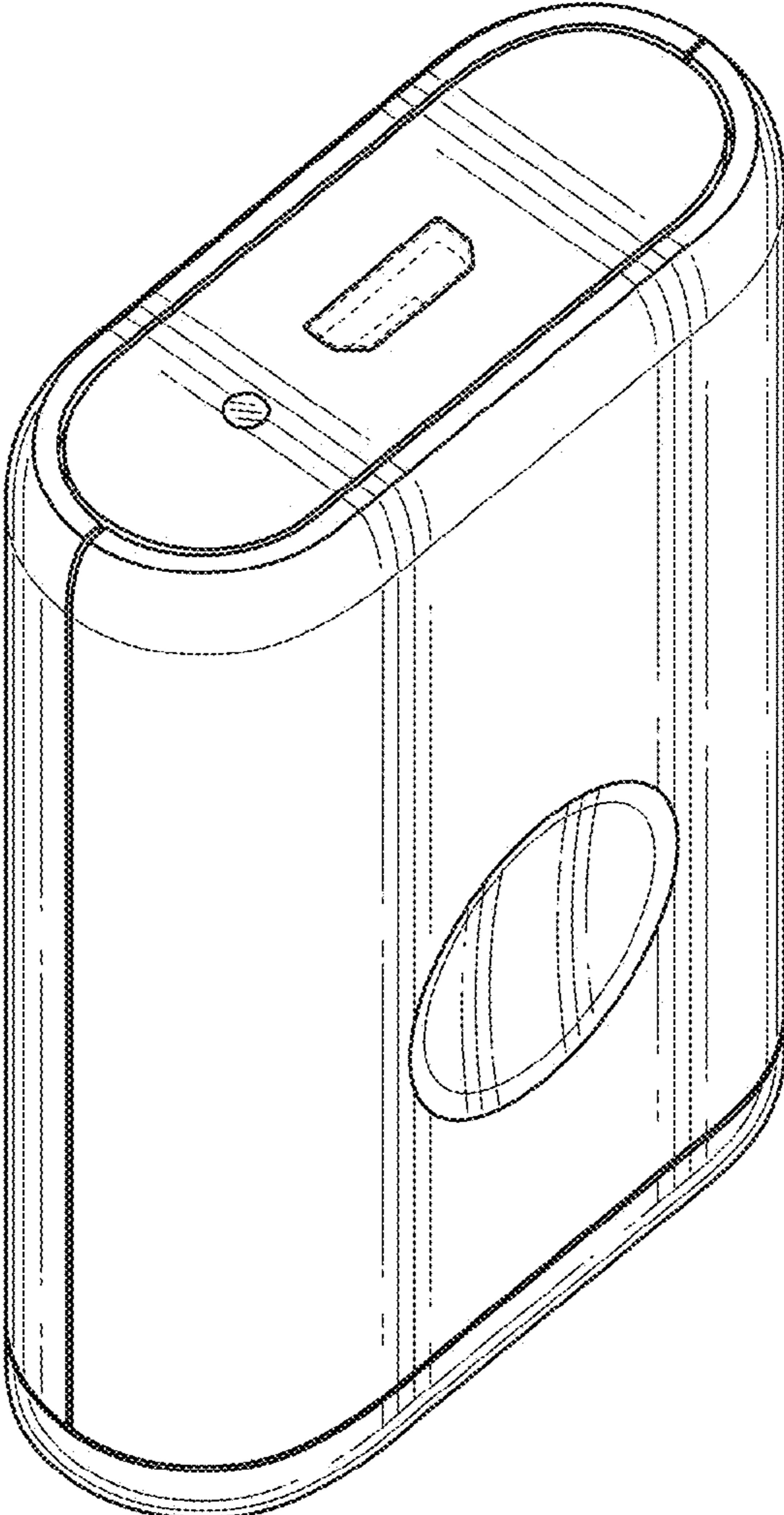


FIG. 2

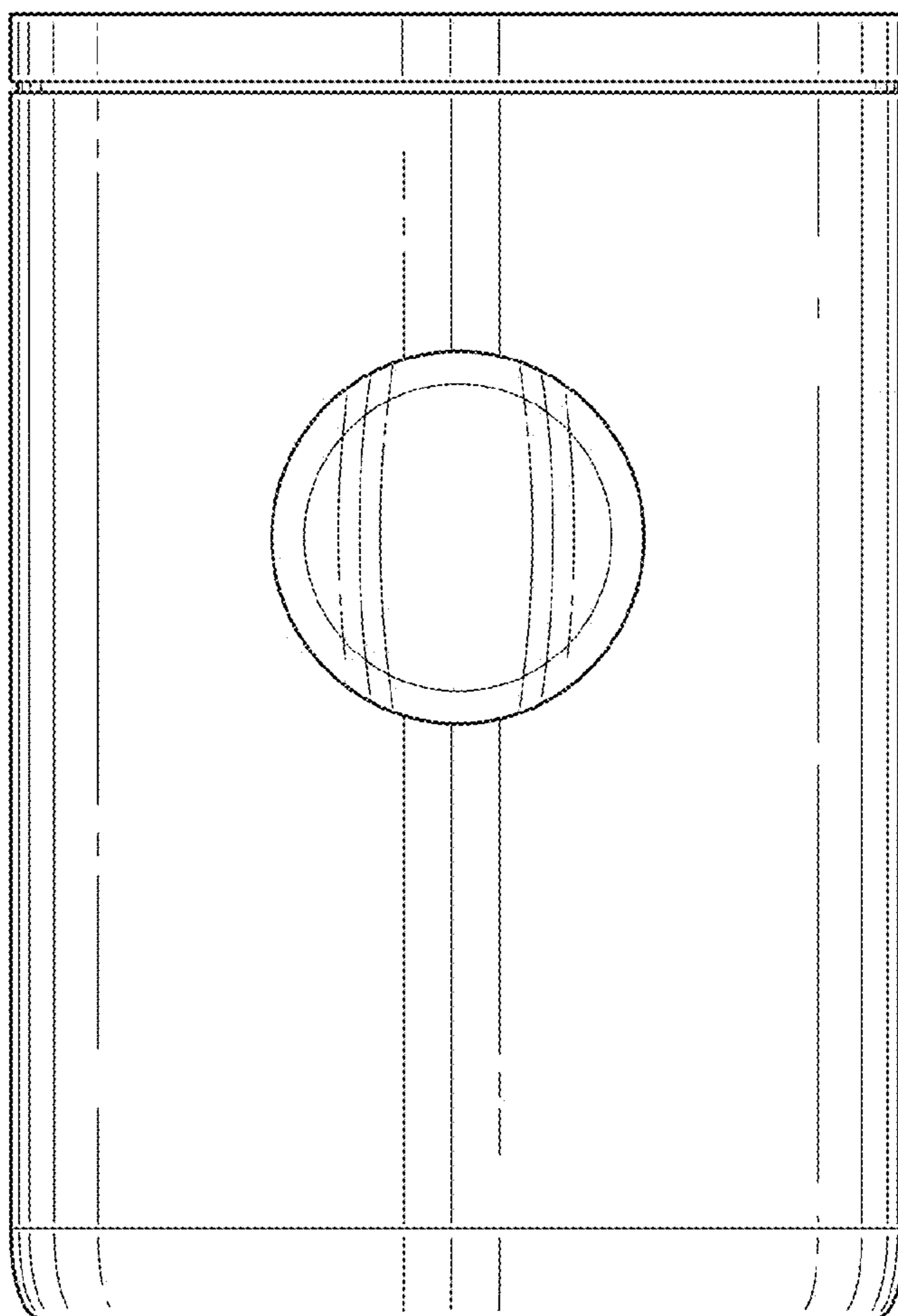


FIG. 3

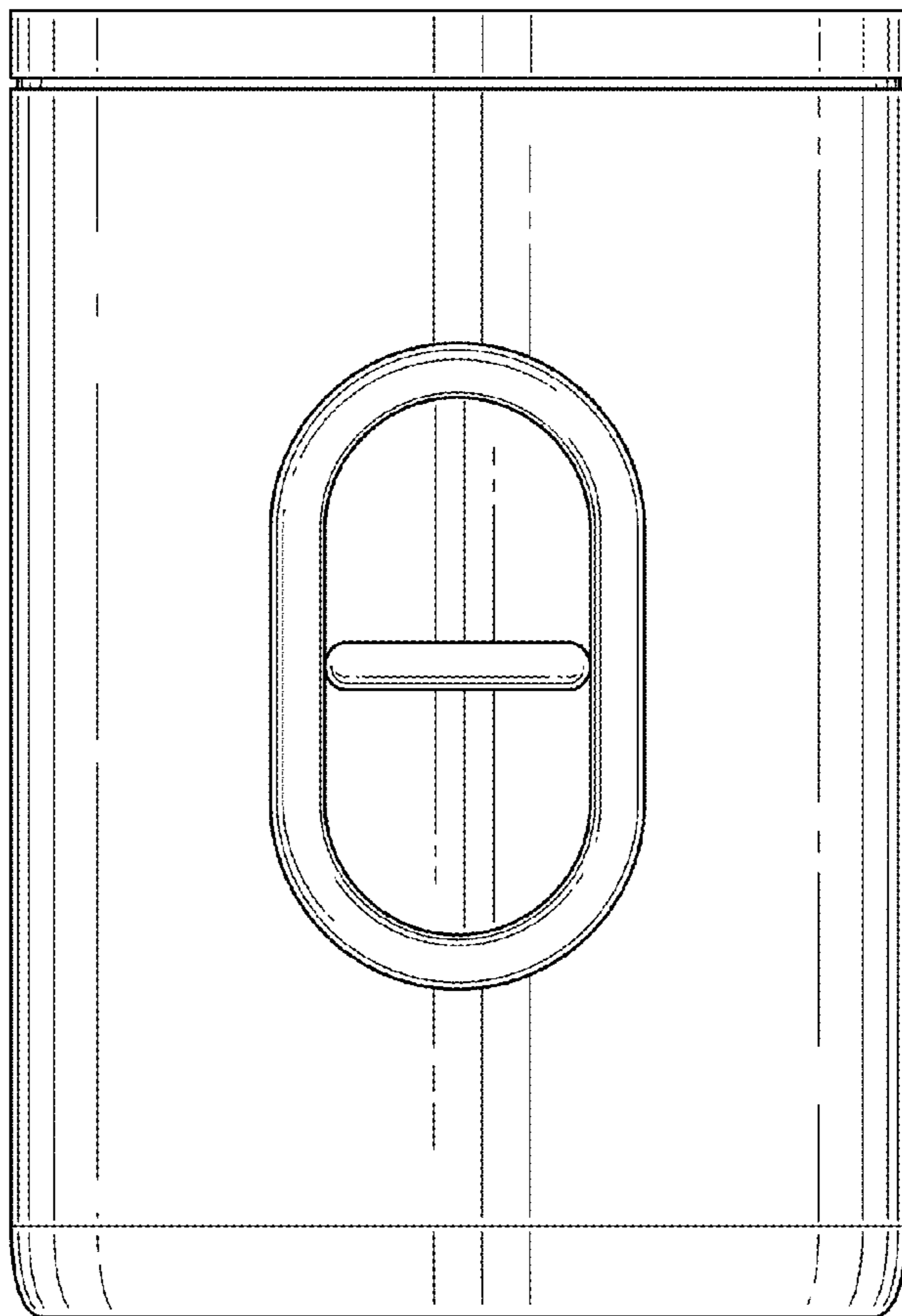


FIG. 4

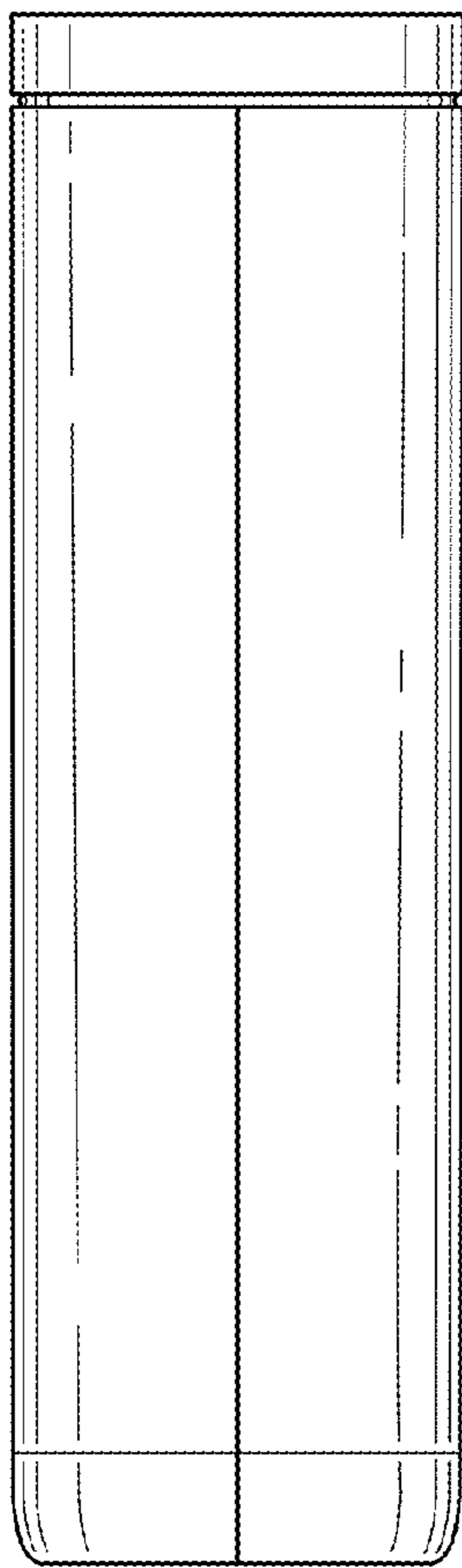


FIG. 5

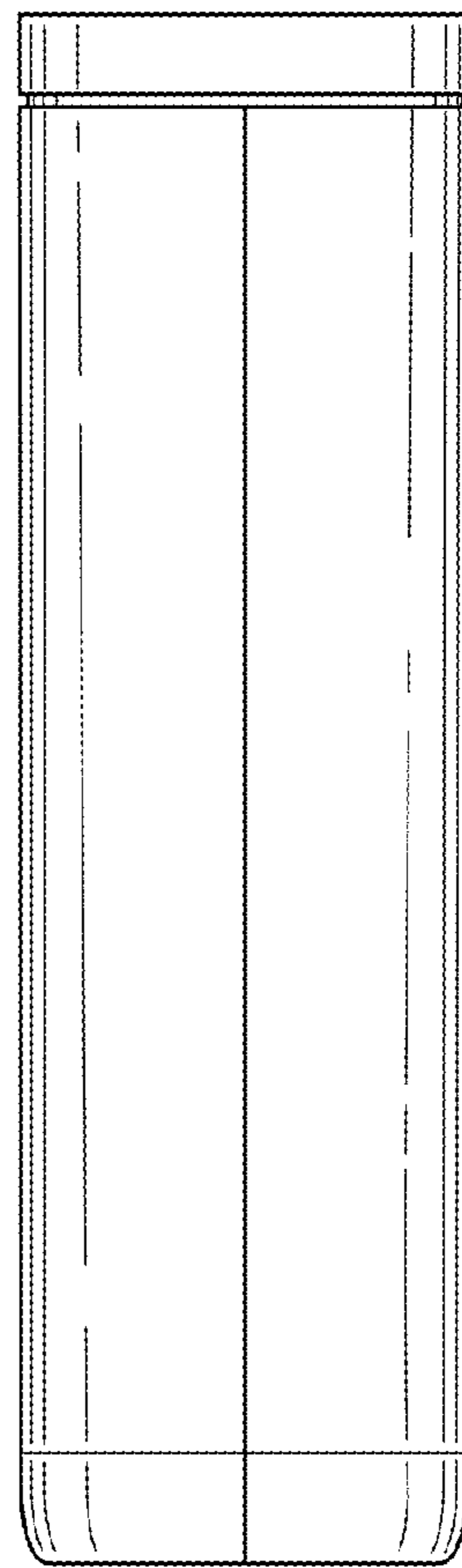


FIG. 6

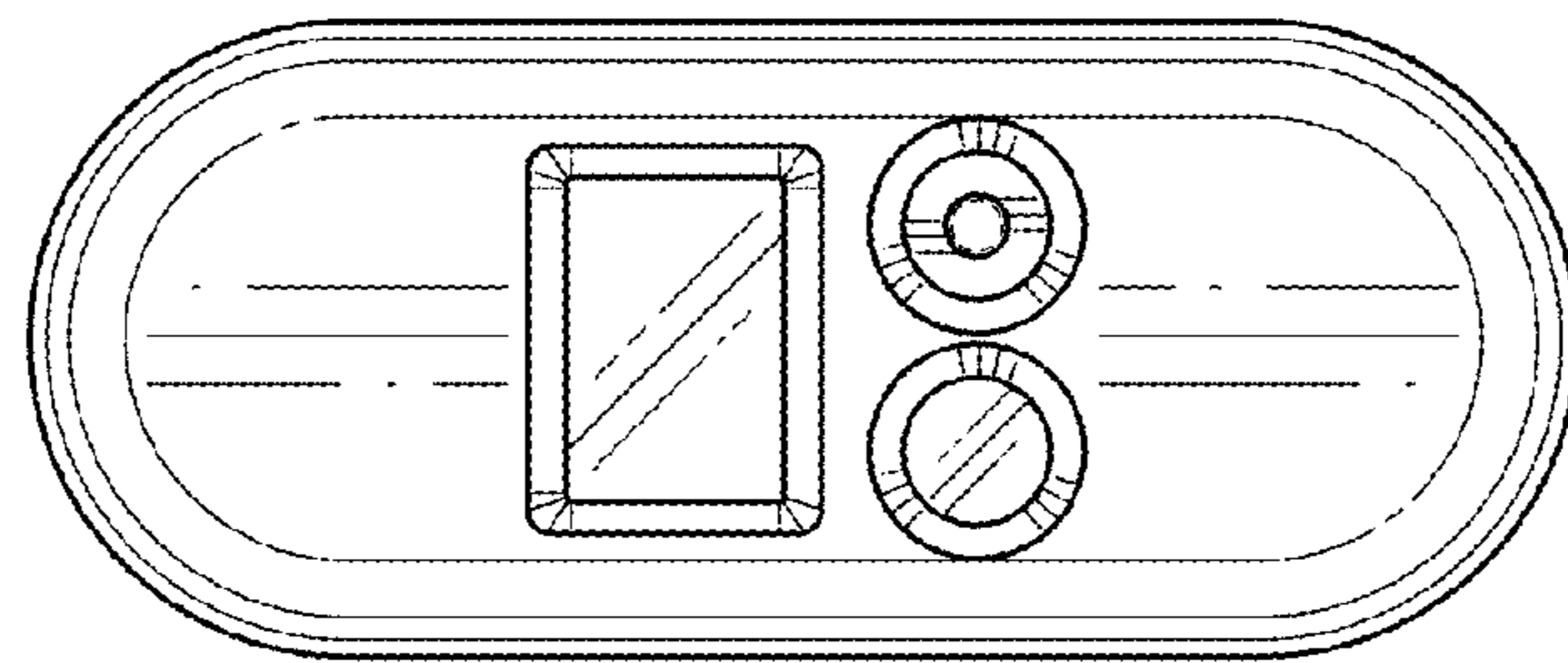


FIG. 7

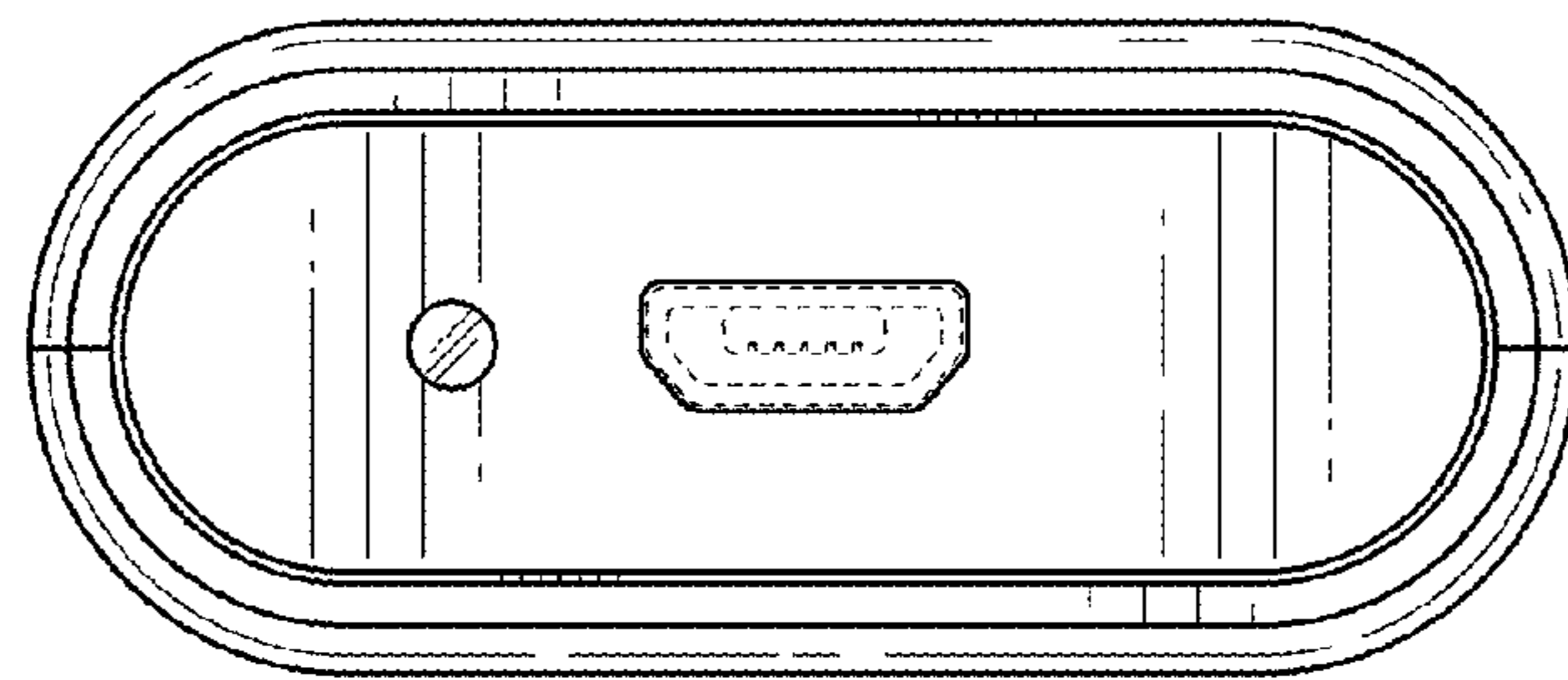


FIG. 8