



US00D751434S

(12) **United States Design Patent**
Nadeau et al.

(10) **Patent No.:** **US D751,434 S**
(45) **Date of Patent:** **** Mar. 15, 2016**

(54) **OPTICAL FIBER INSPECTION PROBE**

- (71) Applicant: **EXFO INC.**, Quebec (CA)
- (72) Inventors: **Sébastien Nadeau**,
Saint-Augustin-de-Desmaures (CA);
Denis Lafrance, Quebec (CA)
- (73) Assignee: **EXFO INC.**, Quebec, QC
- (**) Term: **14 Years**
- (21) Appl. No.: **29/511,590**
- (22) Filed: **Dec. 11, 2014**
- (51) **LOC (10) Cl.** **10-04**
- (52) **U.S. Cl.**
USPC **D10/78**
- (58) **Field of Classification Search**
USPC D10/75, 78
CPC . G01M 11/088; G01M 11/00; G01M 11/005;
G01M 11/08; G02B 6/385; G02B 6/3898;
G02B 6/25; G02B 6/3807; G02B 6/3866;
G02B 6/3885; G02B 6/3846; G02B 6/3863;
G01B 11/2441; G01B 11/303; G01N 21/8806;
G01N 21/952
See application file for complete search history.

(56) **References Cited**

U.S. PATENT DOCUMENTS

- D530,233 S * 10/2006 Janky D10/78
- 8,520,201 B2 * 8/2013 Huang G01M 11/088
250/227.24
- D713,751 S * 9/2014 Nadeau D10/78

OTHER PUBLICATIONS

- Exfo Inc., Specification Sheet, FIP-400 Fiber Inspection Probe—Network Testing—Optical, Dec. 2011, pp. 1-5, Canada.
- Fluke Networks, Fiber Inspection and Cleaning Series, Sep. 2011, pp. 1-4, United States.
- JDSU, FBP Probe Microscope—Handheld Analog Video Probe Microscope for Fiber Inspection, Feb. 2009.
- Exfo Inc., Specification Sheet, FIP-400B Fiber Inspection Probe—Advanced Field-Inspection Tool with Embedded Analysis, Oct. 2013, pp. 1-6, Canada.

* cited by examiner

Primary Examiner — Antoine D Davis

(74) *Attorney, Agent, or Firm* — Norton Rose Fulbright Canada LLP; Alexandre Daoust

(57) **CLAIM**

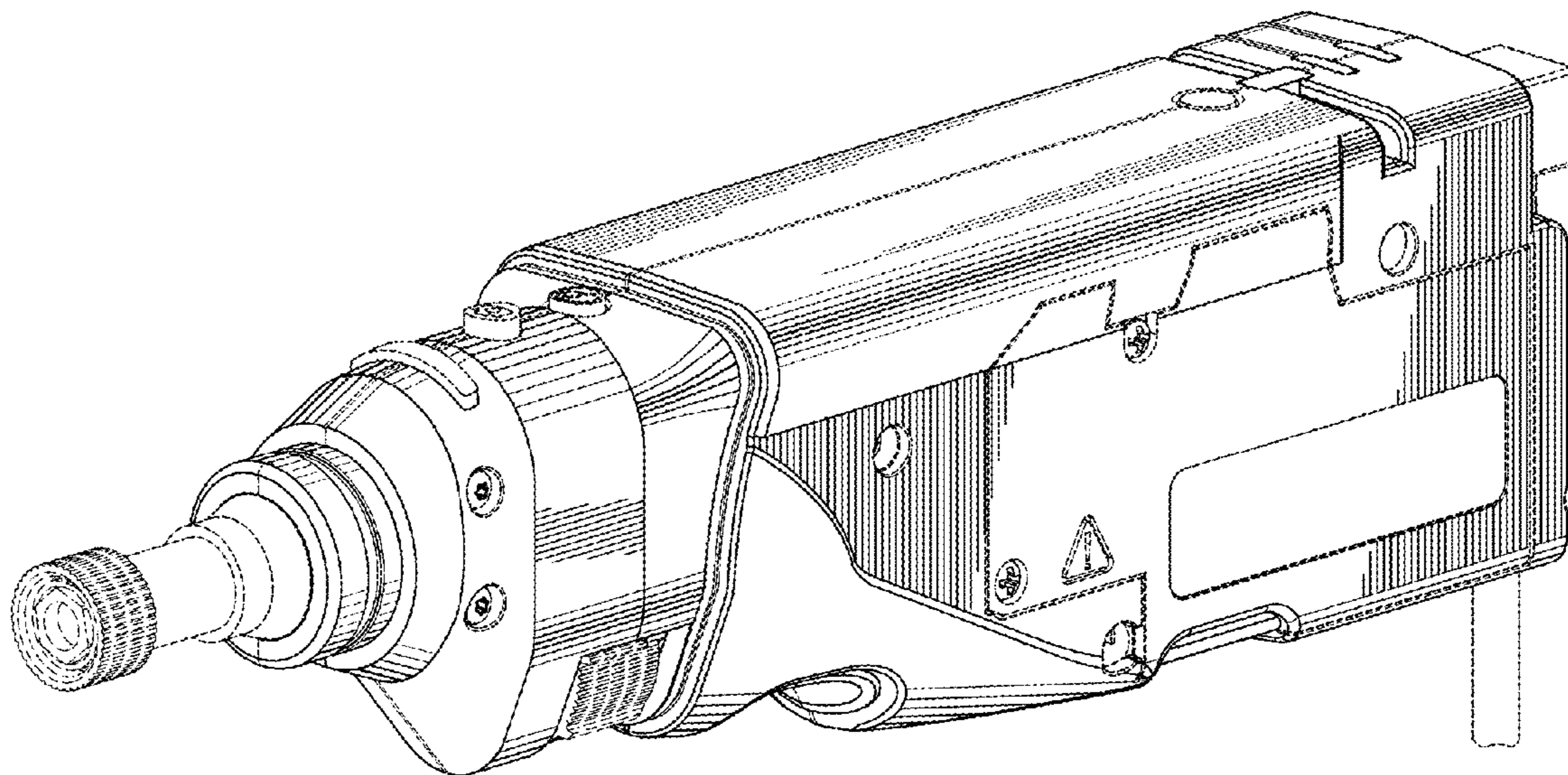
The ornamental design for an optical fiber inspection probe, as shown and described.

DESCRIPTION

FIG. 1 is an oblique perspective view of an optical fiber inspection probe showing our new design; FIG. 2 is a left side elevation view thereof; FIG. 3 is a right side elevation view thereof; FIG. 4 is a front elevation view thereof; FIG. 5 is a rear elevation view thereof; FIG. 6 is a top plan view thereof; and, FIG. 7 is a bottom plan thereof.

The dashed line showing of structural lines is included for the purpose of illustrating non-claimed subject matter and forms no part of the claimed design.

1 Claim, 5 Drawing Sheets



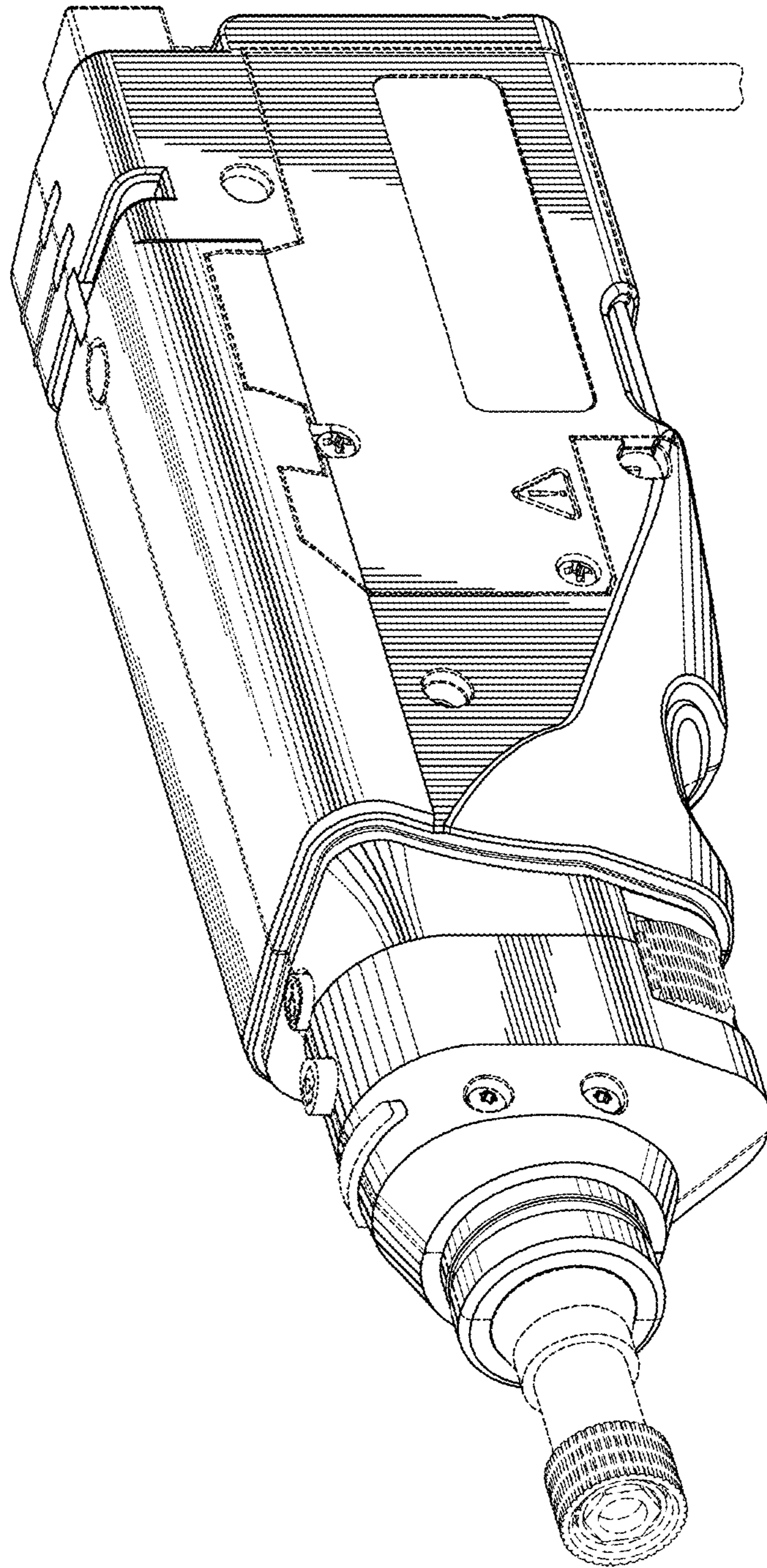


FIG. 1

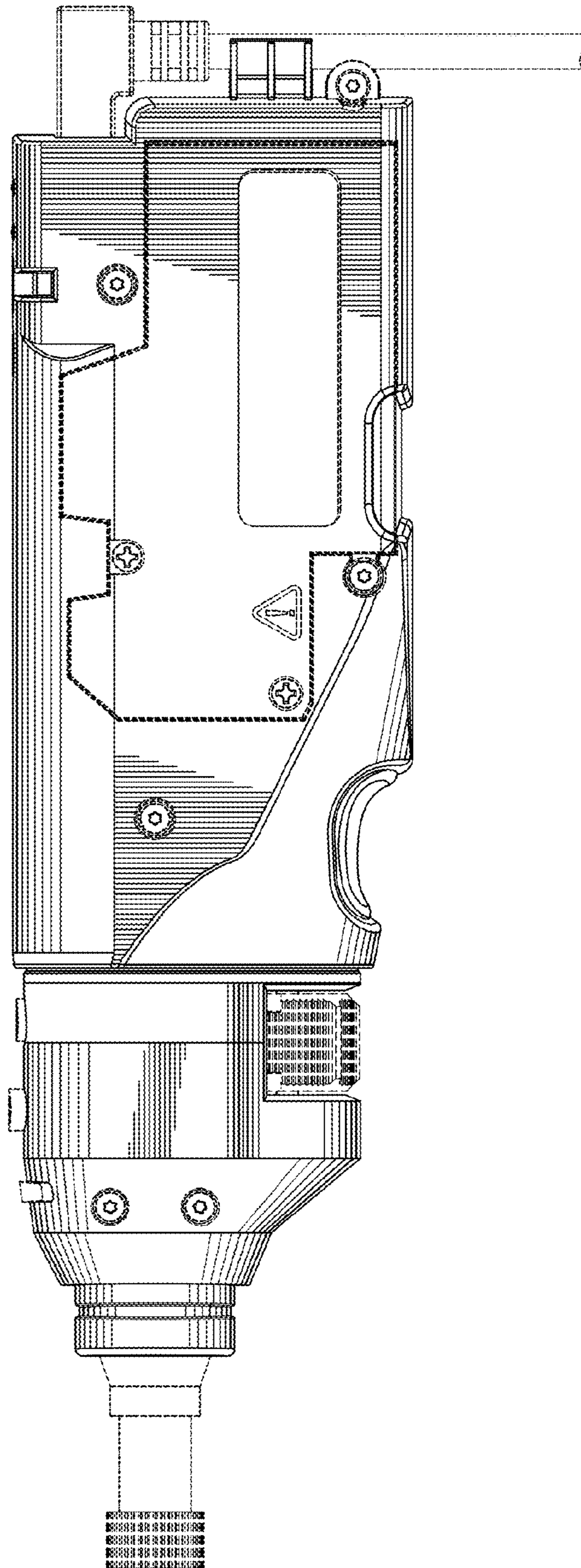


FIG. 2

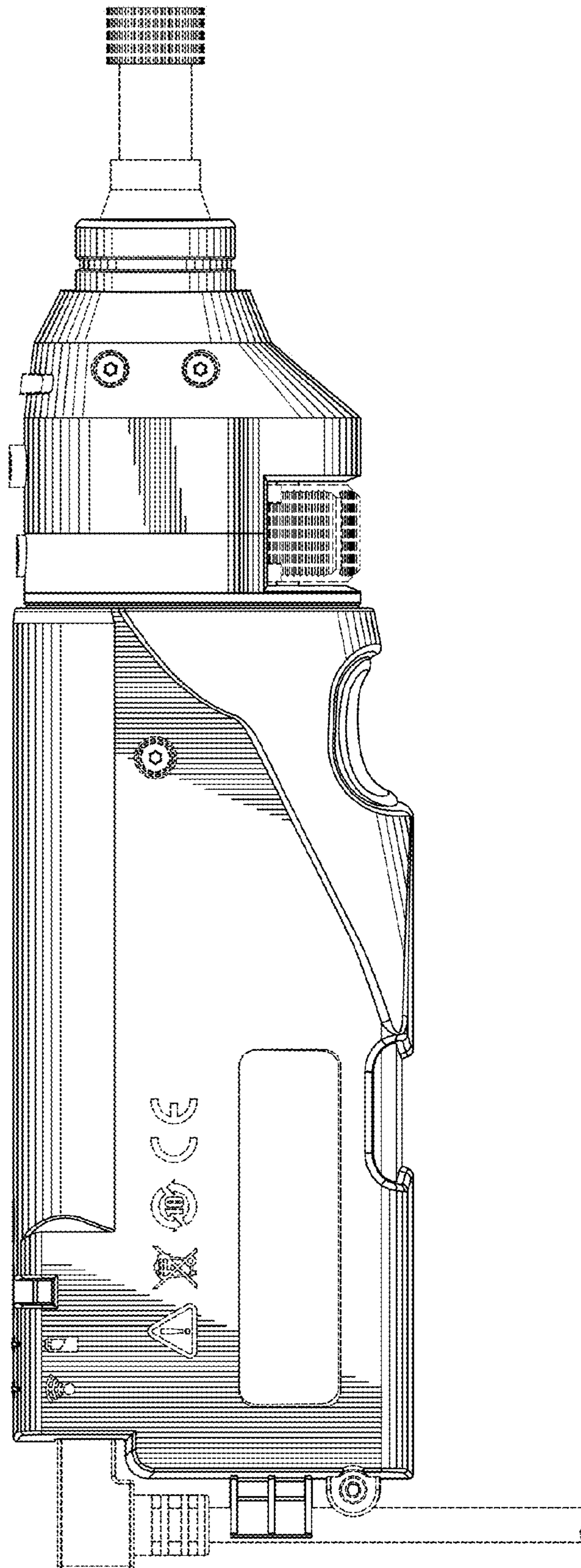


FIG. 3

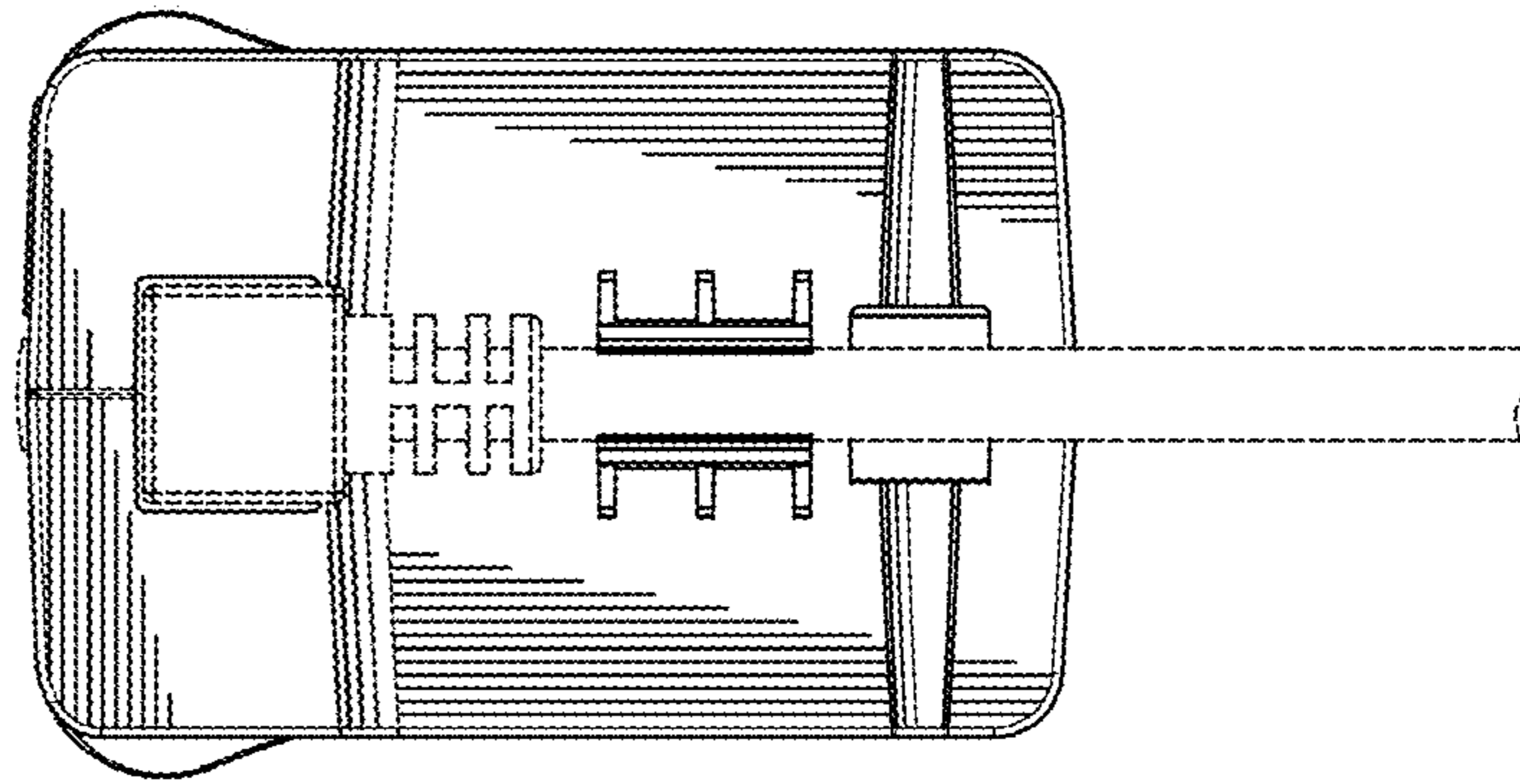


FIG. 5

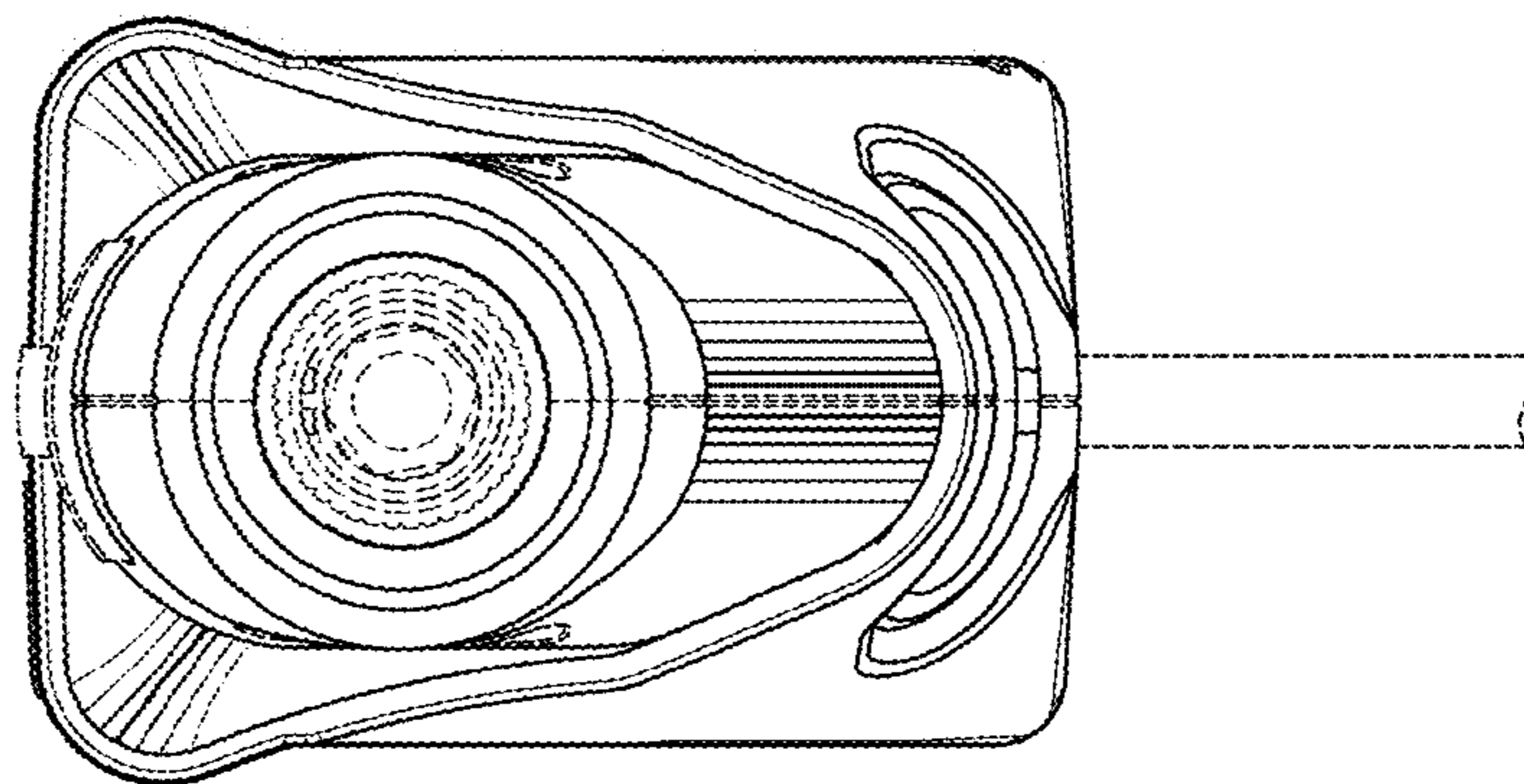


FIG. 4

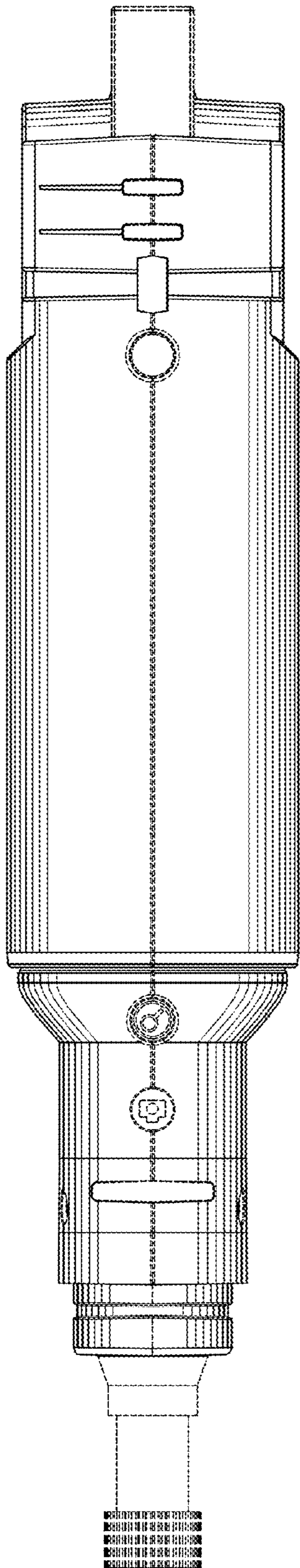


FIG. 6

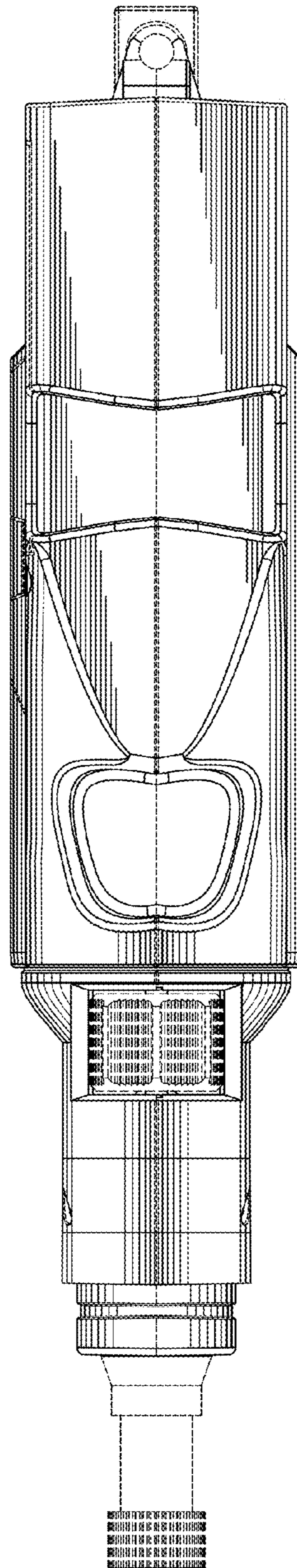


FIG. 7