



US00D751431S

(12) **United States Design Patent**
Browning et al.

(10) **Patent No.:** **US D751,431 S**
(45) **Date of Patent:** **** Mar. 15, 2016**

(54) **MOUNT FOR A PORTABLE NAVIGATION
DEVICE**

(71) Applicant: **TomTom International B.V.**,
Amsterdam (NL)
(72) Inventors: **Daniel Browning**, Amsterdam (NL);
Mark Lee Dempsey, Beckenham (GB);
Nicholas Alexander Evans, Amsterdam
(NL); **Andrew John Roy Tattersfield**,
Amsterdam (NL)
(73) Assignee: **TomTom International B.V.**,
Amsterdam (NL)
(**) Term: **14 Years**

(21) Appl. No.: **29/506,575**

(22) Filed: **Oct. 17, 2014**

(30) **Foreign Application Priority Data**

Apr. 18, 2014 (EM) 002450056-0001

(51) **LOC (10) Cl.** **10-04**

(52) **U.S. Cl.**
USPC **D10/74; D14/447**

(58) **Field of Classification Search**
USPC D10/74; D14/251, 447, 451
CPC A47B 2097/005; A47B 2097/006;
B60R 11/00; B60R 11/0211; B60R 11/0229;
B60R 11/0235; B60R 11/0252; B60R
11/0258; B60R 2011/0003; B60R 2011/0005;
B60R 2011/0007; B60R 2011/0056; B60R
2011/0057; B60R 2011/0063

See application file for complete search history.

(56) **References Cited**

U.S. PATENT DOCUMENTS

6,480,378	B2 *	11/2002	Chang	361/679.41
7,062,300	B1 *	6/2006	Kim	455/569.1
7,280,802	B2 *	10/2007	Grady	455/42
D560,525	S *	1/2008	Skelton et al.	D10/74
D565,980	S *	4/2008	Reeson et al.	D10/74
D566,590	S *	4/2008	Stevens et al.	D10/74
D580,804	S *	11/2008	Gretton	D10/74
D589,386	S *	3/2009	Gretton	D10/74
D626,439	S *	11/2010	Lee et al.	D10/74
8,086,278	B2 *	12/2011	Li et al.	455/569.1
D659,571	S *	5/2012	Hoggarth et al.	D10/74
8,276,863	B2 *	10/2012	Niwai et al.	248/278.1
D687,834	S *	8/2013	Gittins	D14/447
D688,670	S *	8/2013	Huang	D14/447
8,902,608	B2 *	12/2014	Lin	361/801

* cited by examiner

Primary Examiner — Antoine D Davis

(57) **CLAIM**

The ornamental design for a mount for a portable navigation device, as shown and described.

DESCRIPTION

FIG. 1 is a perspective view showing the front and upper surfaces of the device.

FIG. 2 is a perspective view showing the rear and upper surfaces of the device.

FIG. 3 is a front view of the device.

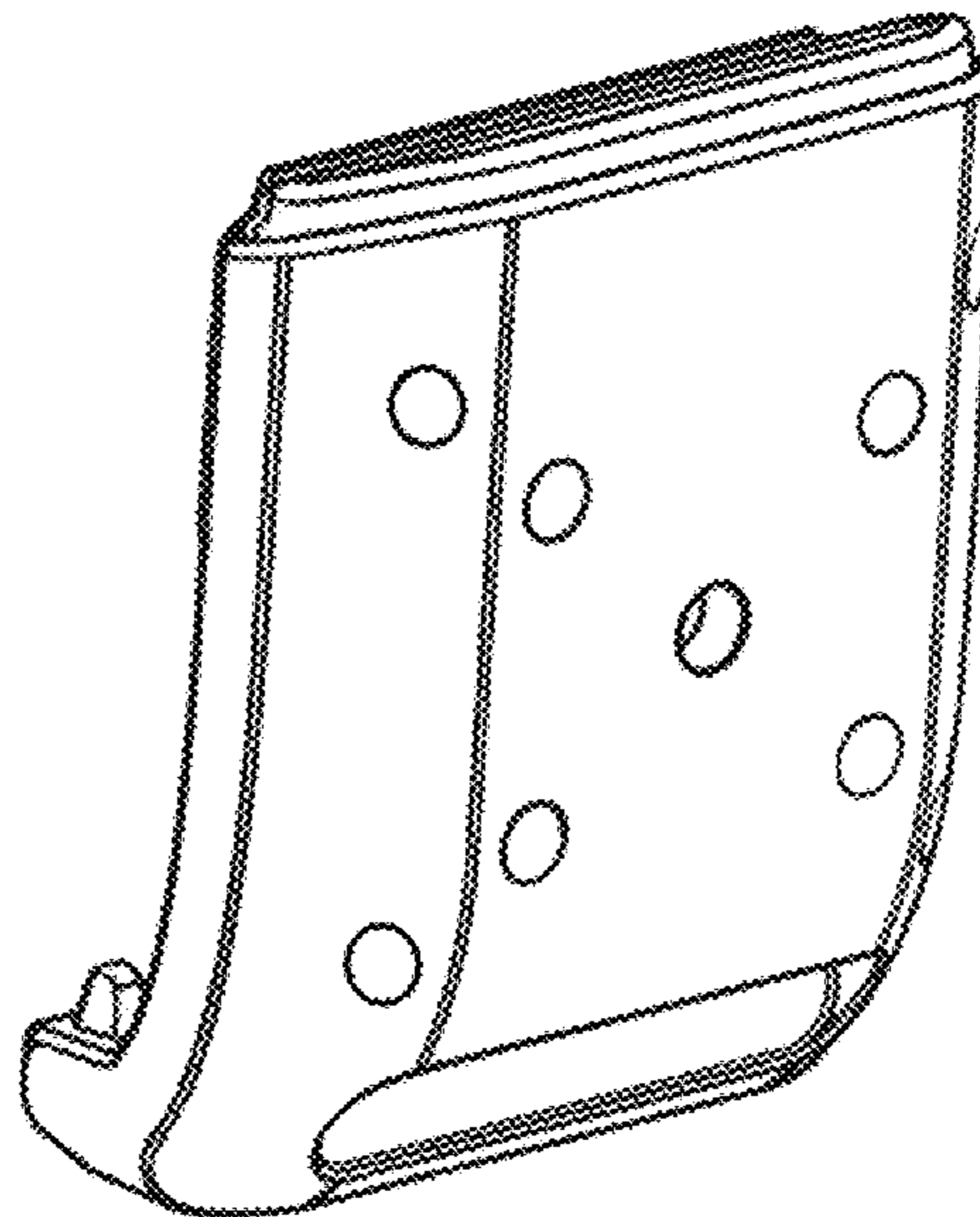
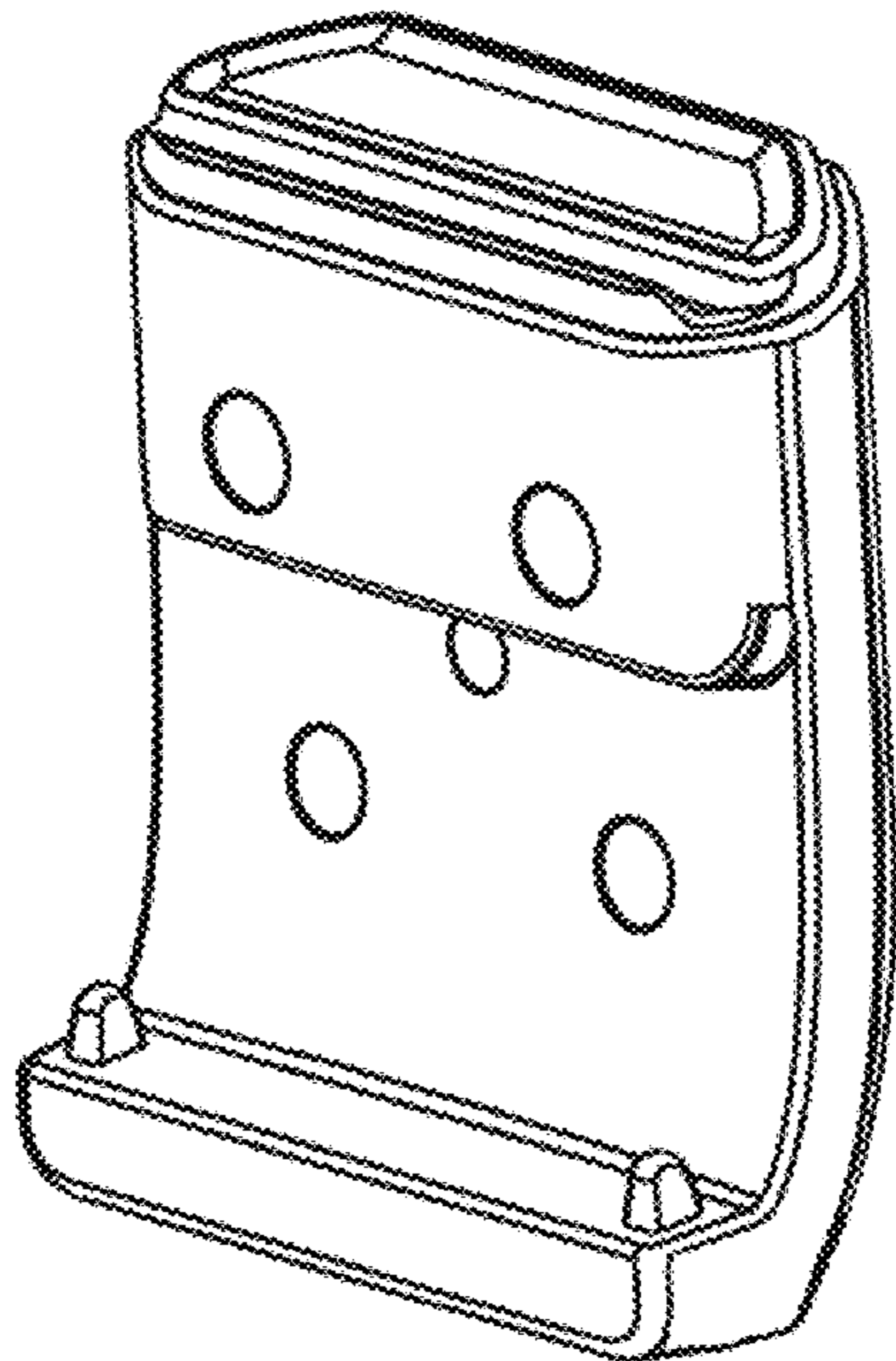
FIG. 4 is a rear view of the device.

FIGS. 5 and 6 are opposing side views of the device.

FIG. 7 is a bottom view of the device; and,

FIG. 8 is a top view of the device.

1 Claim, 6 Drawing Sheets



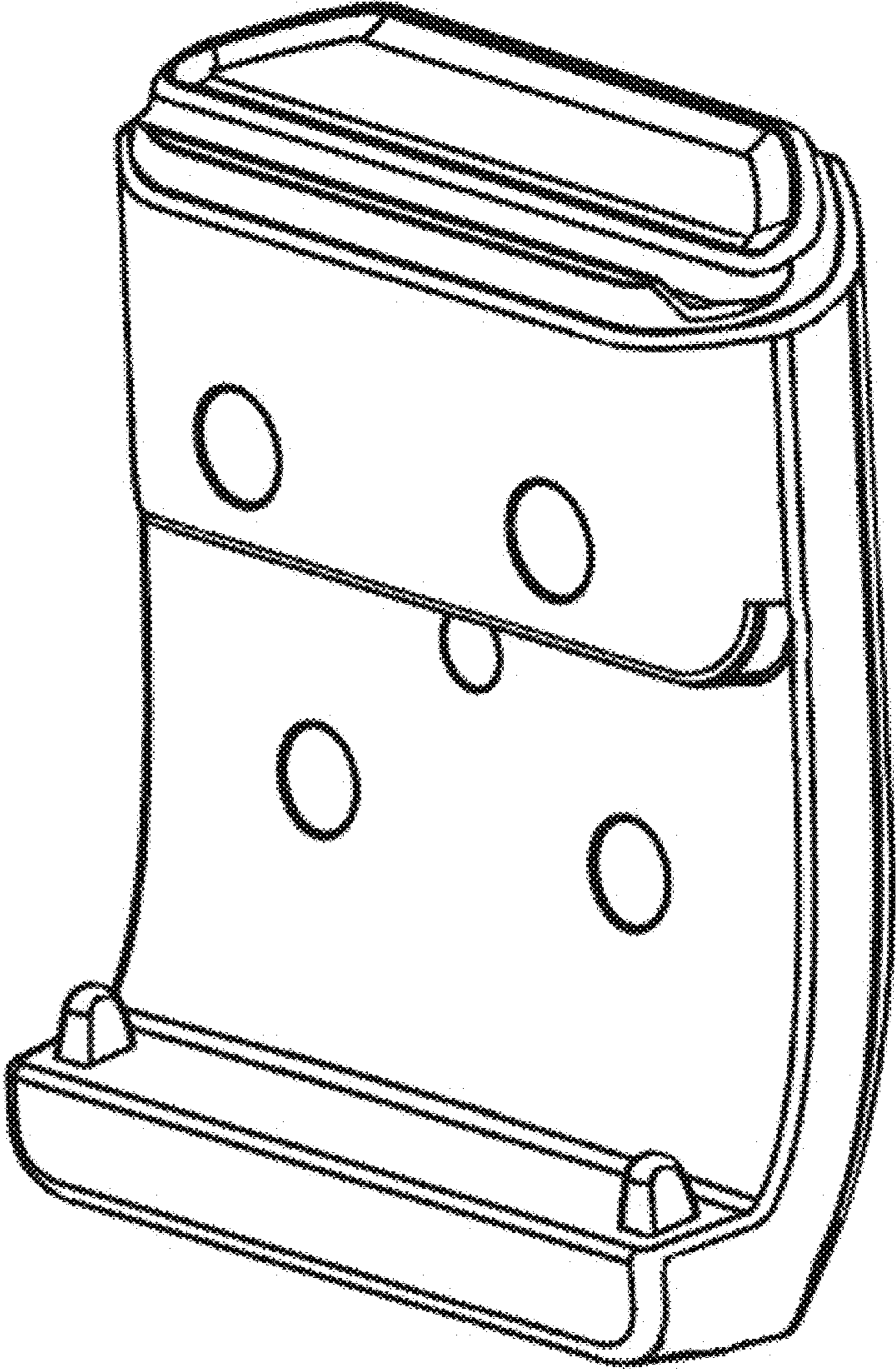


Figure 1

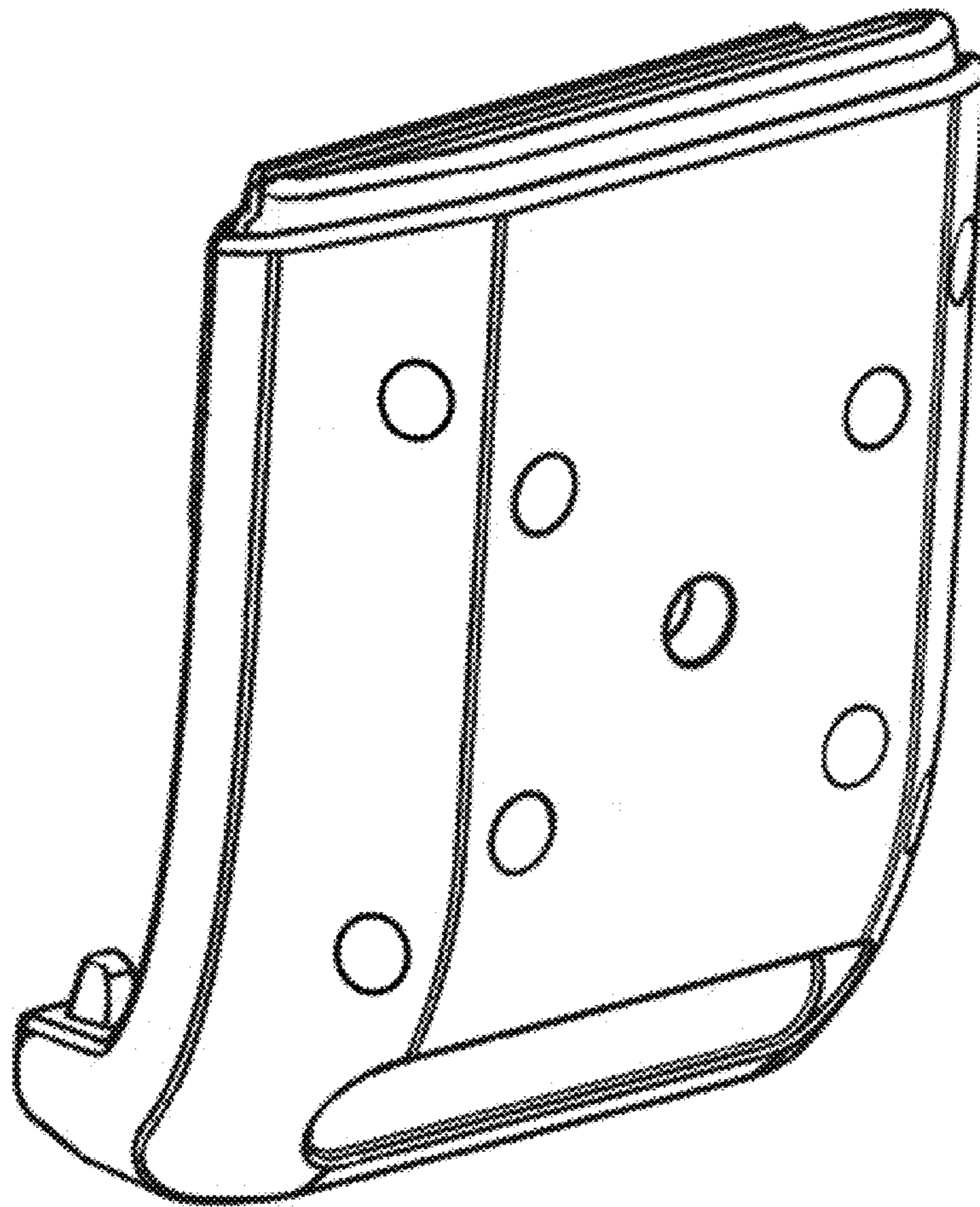


Figure 2

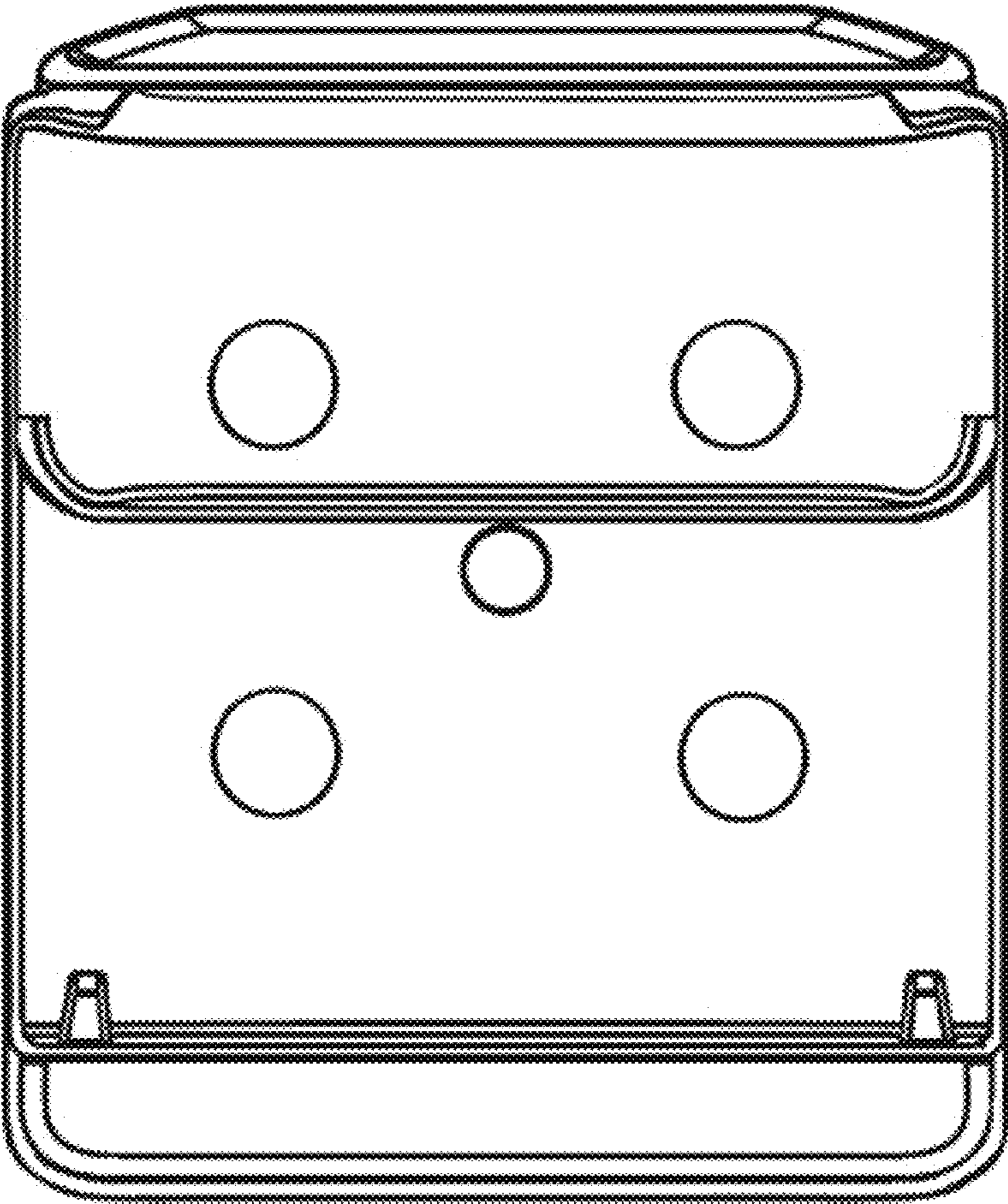


Figure 3

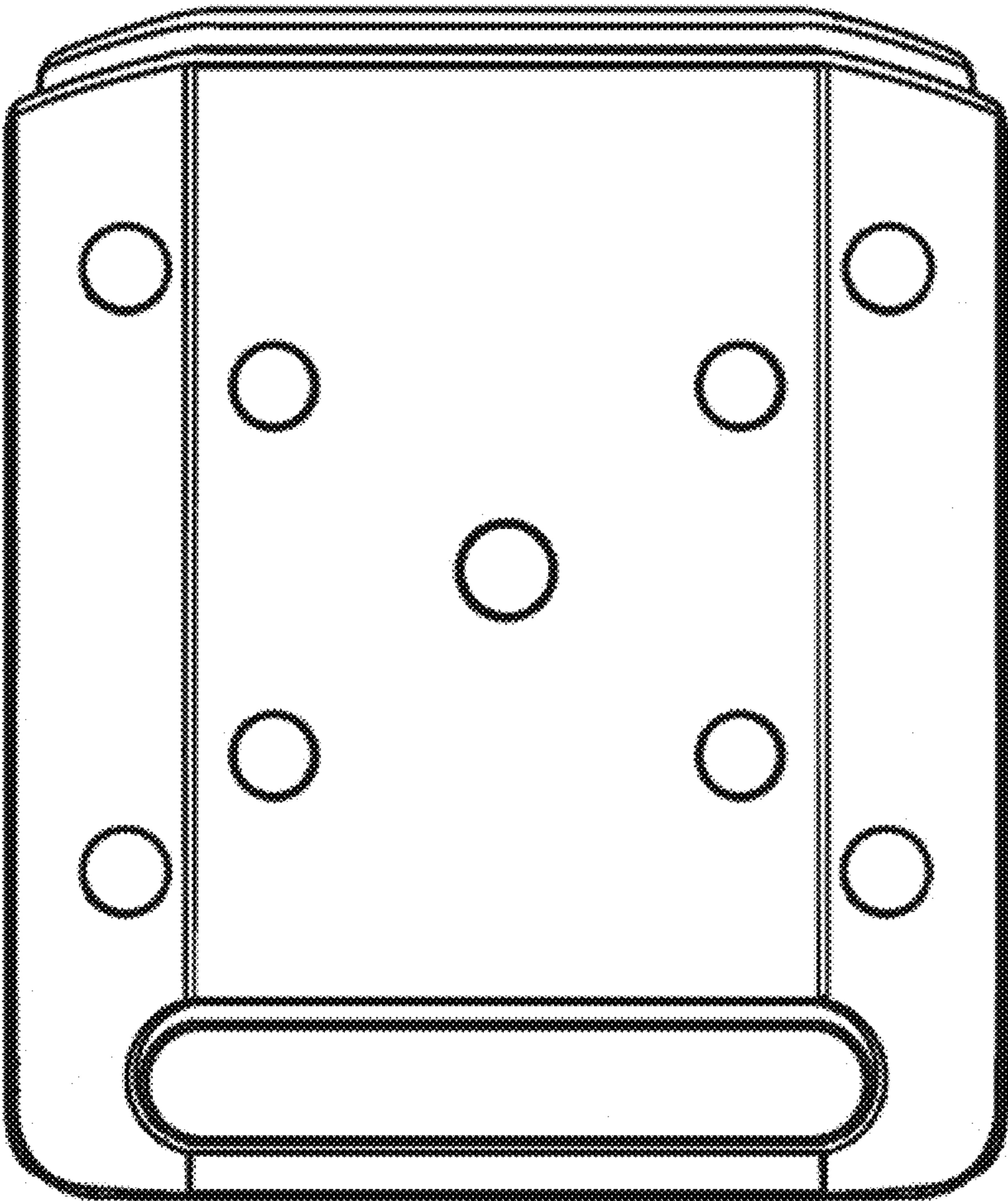


Figure 4

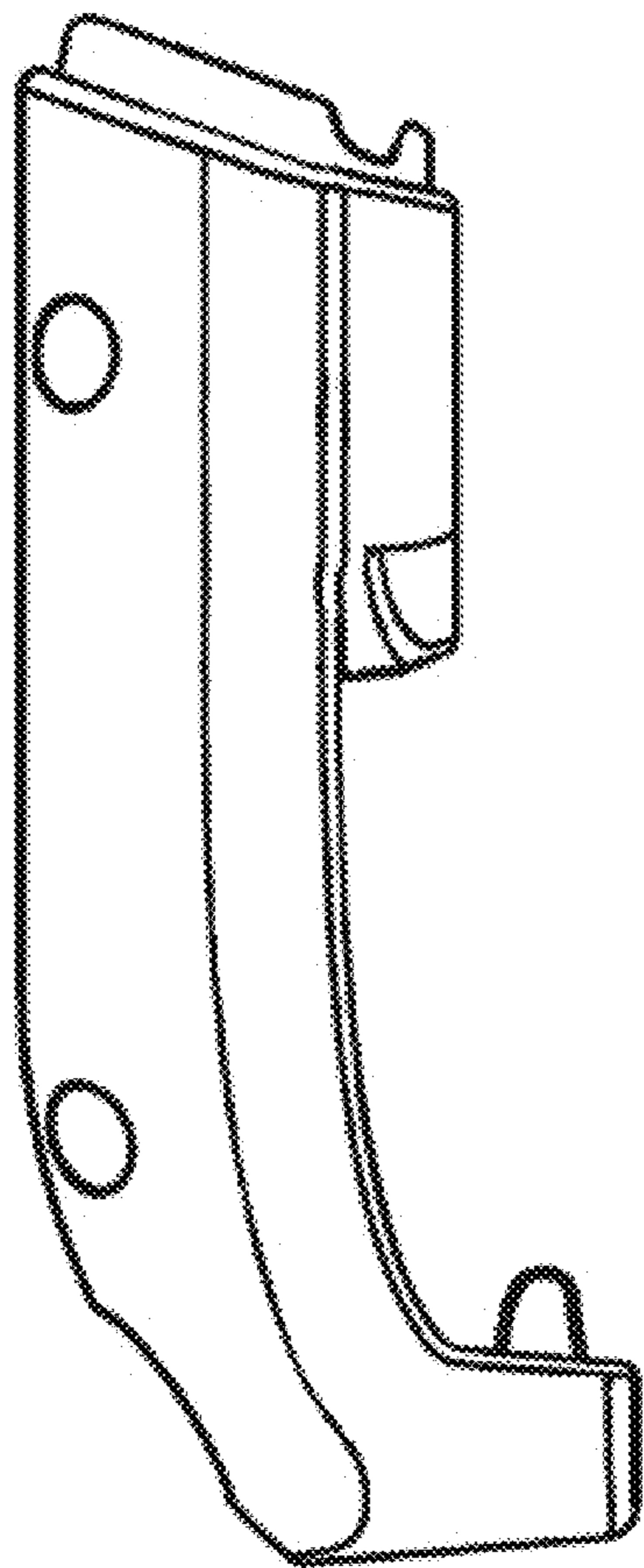


Figure 5

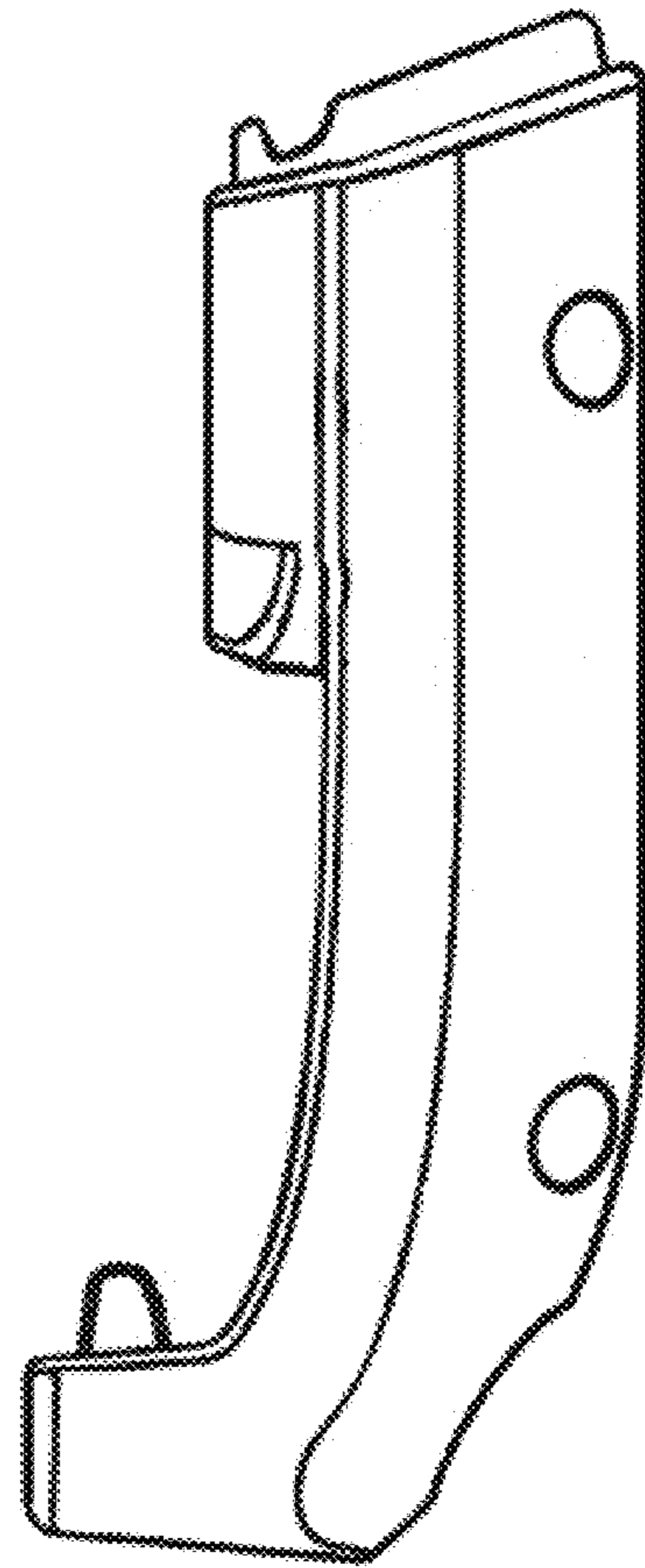


Figure 6

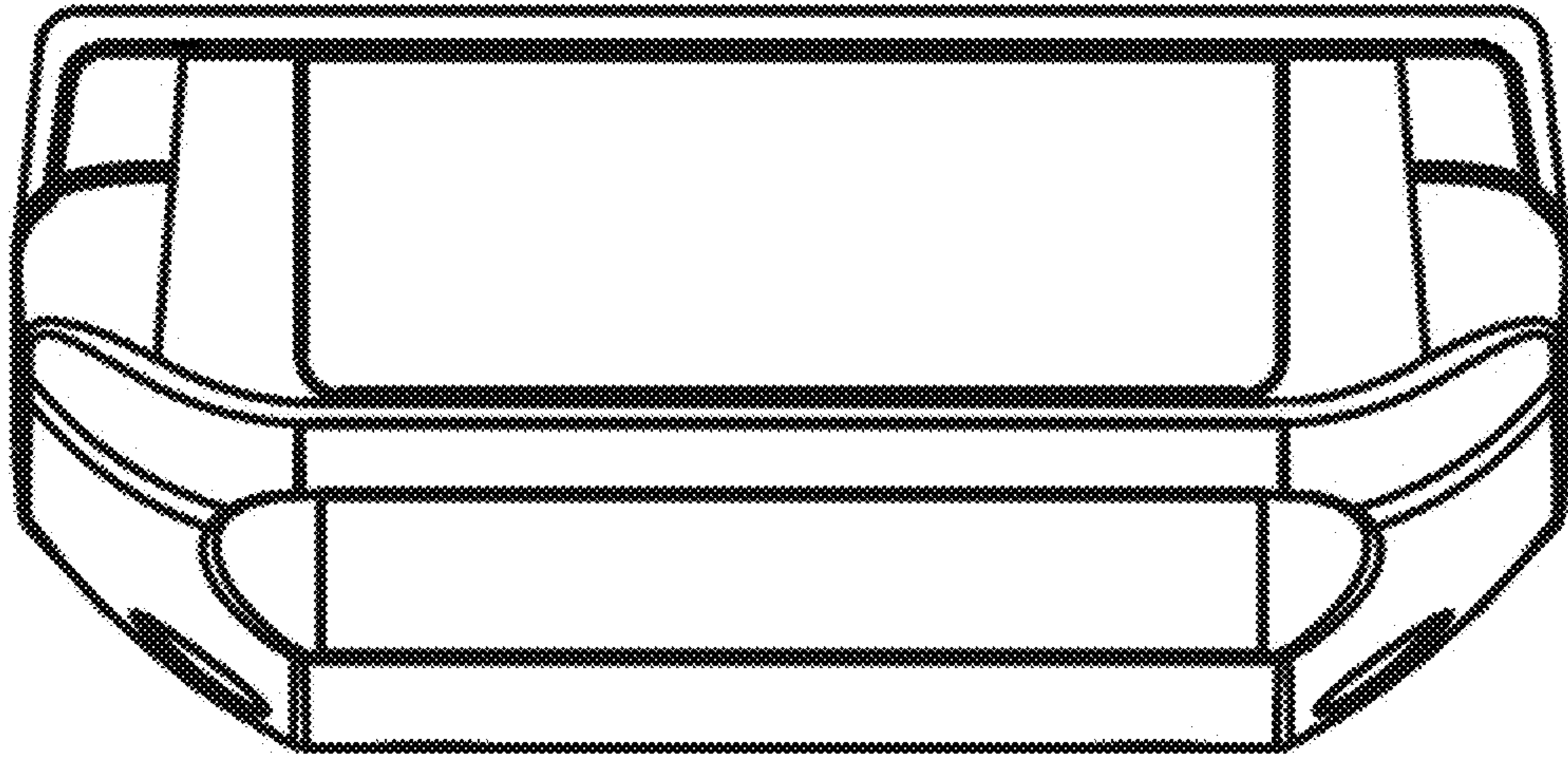


Figure 7



Figure 8