

US00D751429S

(12) **United States Design Patent**
Johnson et al.

(10) **Patent No.:** **US D751,429 S**
(45) **Date of Patent:** **** Mar. 15, 2016**

(54) **I-BEAM LEVEL**

D633,400 S 3/2011 Wojciechowski et al.
D634,221 S 3/2011 Wojciechowski et al.
8,914,987 B2* 12/2014 Sanchez G01C 9/28
33/379

(71) Applicant: **Diamond Tech LLC**, Carson City, NV
(US)

* cited by examiner

(72) Inventors: **Robert A. Johnson**, Mequon, WI (US);
William G. Johnson, Mequon, WI (US);
Timothy J. Wojciechowski, Hubertus,
WI (US); **John Dwyer**, Waukesha, WI
(US); **Glenn Walters**, Port Washington,
WI (US)

Primary Examiner — Antoine D Davis
(74) *Attorney, Agent, or Firm* — Boyle Fredrickson, S.C.

(73) Assignee: **Diamond Tech LLC**, Carson City, NV
(US)

(57) **CLAIM**
The ornamental design of an I-beam level, as shown and
described.

(**) Term: **14 Years**

DESCRIPTION

(21) Appl. No.: **29/522,829**

FIG. 1 is an isometric view of an I-beam level incorporating
our new design, wherein the portions in phantom form no part
of the claimed design and wherein the break lines indicate
indeterminate length;

(22) Filed: **Apr. 2, 2015**

FIG. 2 is a side elevation view thereof;

(51) **LOC (10) Cl.** **10-04**

FIG. 3 is an opposite side elevation view thereof;

(52) **U.S. Cl.**
USPC **D10/69**

FIG. 4 is a top plan view thereof;

(58) **Field of Classification Search**

USPC D10/69

FIG. 5 is a bottom plan view thereof;

CPC G01C 9/24; G01C 9/26; G01C 9/28;

FIGS. 6 and 7 are and elevation views thereof;

G01C 9/30; G01C 9/32; G01C 9/34; G01C

FIG. 8 is an isometric view similar to FIG. 1 illustrating
another embodiment of an I-beam level incorporating our
new design, wherein the portions in phantom form no part of
the claimed design and the end elevation views are the same
as illustrated in FIGS. 6 and 7;

9/36

FIGS. 9 and 10 are side elevation views thereof;

See application file for complete search history.

FIG. 11 is a top plan view thereof;

(56) **References Cited**

U.S. PATENT DOCUMENTS

D521,399 S 5/2006 Johnson et al.
D537,000 S * 2/2007 Kim D10/69
D555,523 S 11/2007 Nickel et al.
D598,309 S * 8/2009 Gofer D10/69

FIG. 12 is a bottom plan view thereof;

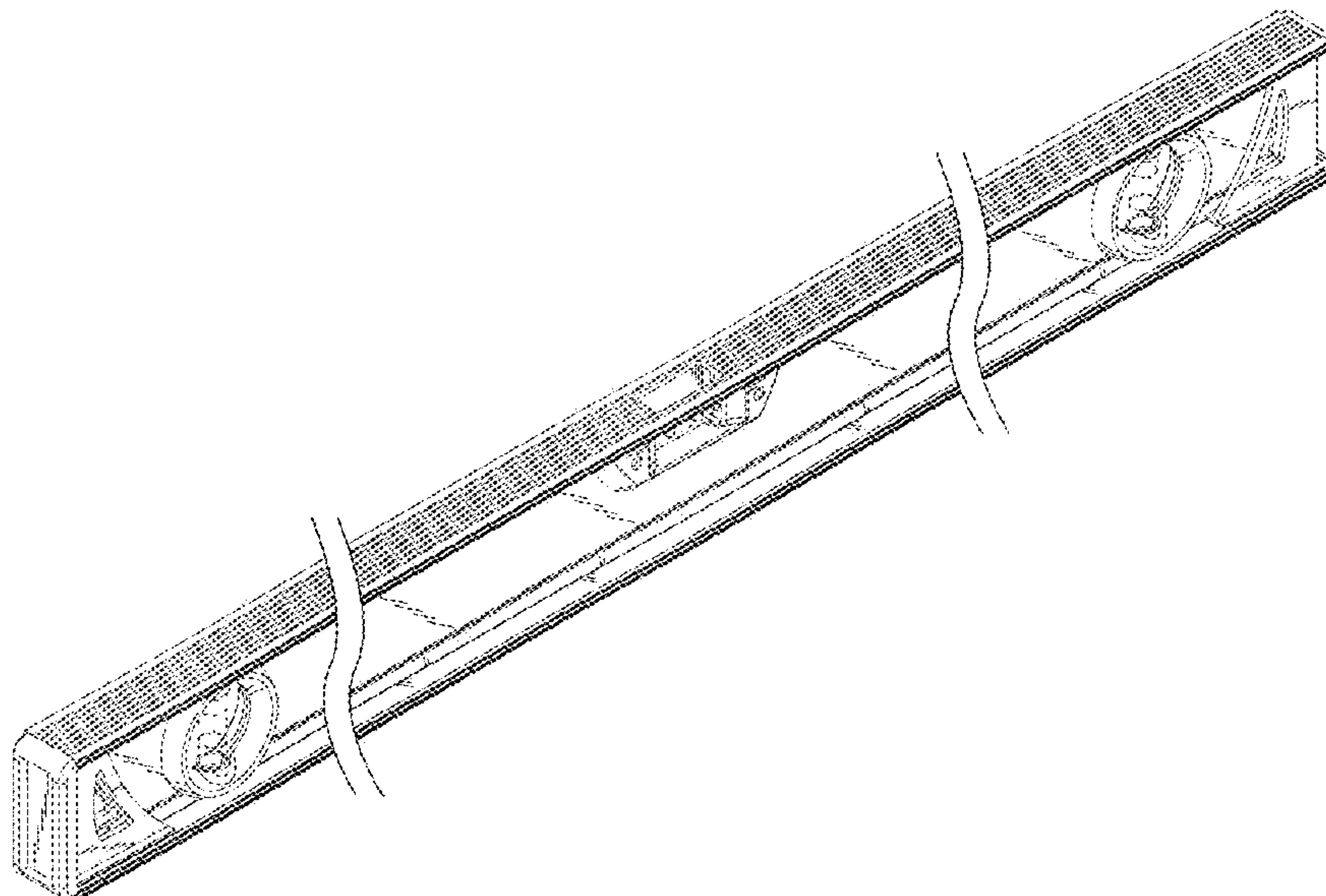
FIG. 13 is an isometric view similar to FIGS. 1 and 8 illus-
trating another embodiment of an I-beam level incorporating
our new design, wherein the portions in phantom form no part
of the claimed design and the end elevation views are the
same as illustrated in FIGS. 6 and 7;

FIGS. 14 and 15 are side elevation views thereof;

FIG. 16 is a top plan view thereof; and,

FIG. 17 is a bottom plan view thereof.

1 Claim, 10 Drawing Sheets



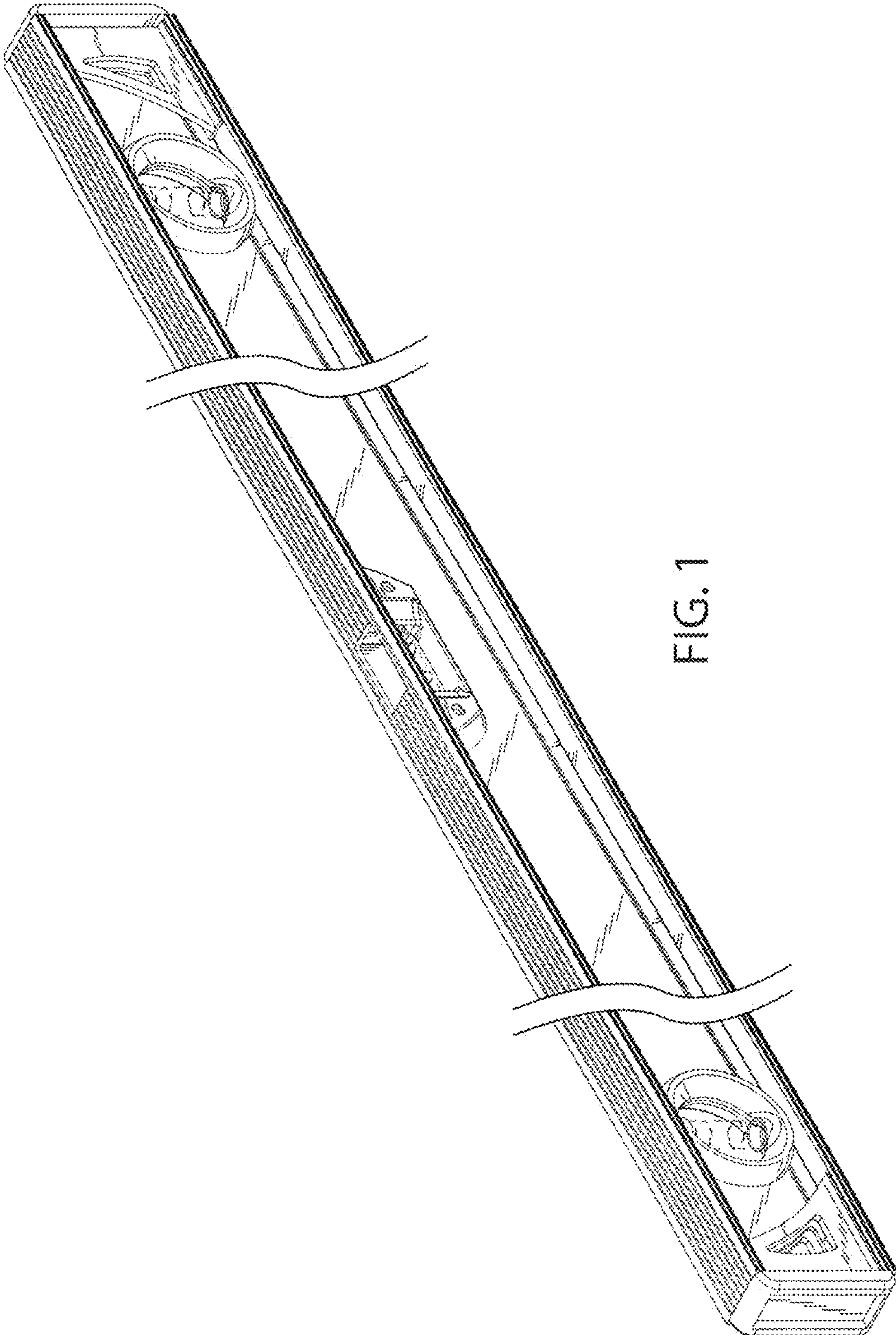


FIG. 1

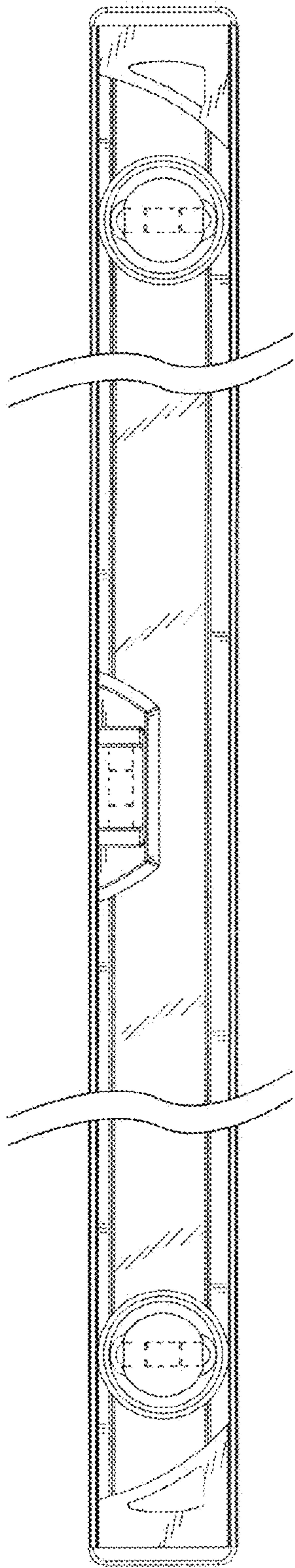


FIG. 2

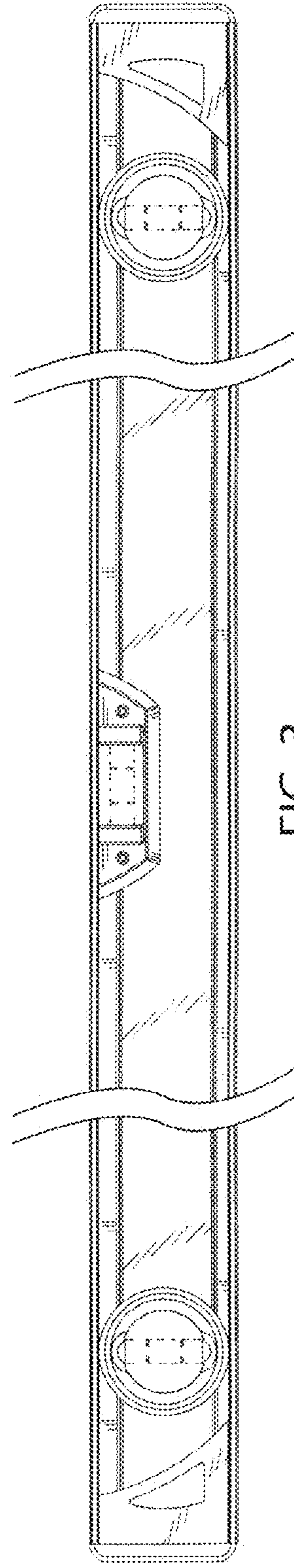


FIG. 3

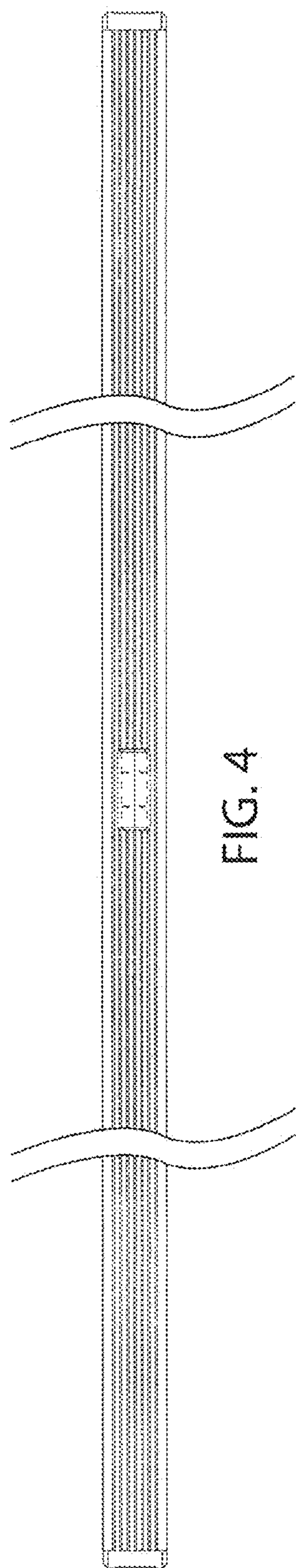


FIG. 4

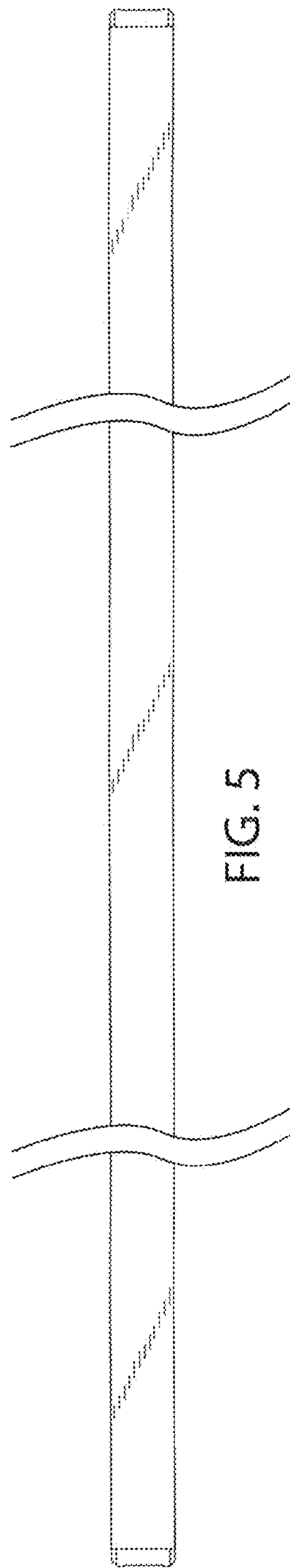


FIG. 5

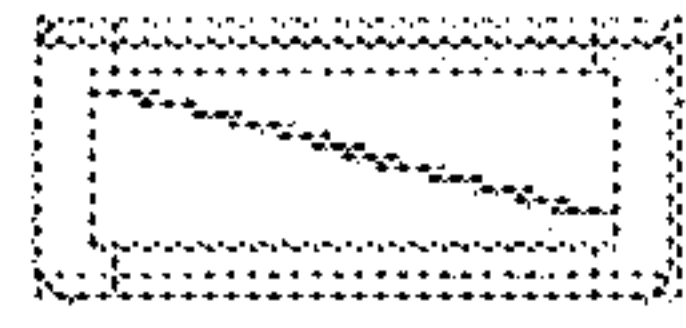


FIG. 7

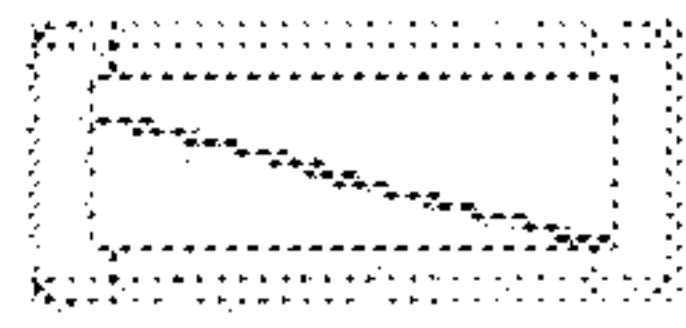


FIG. 6

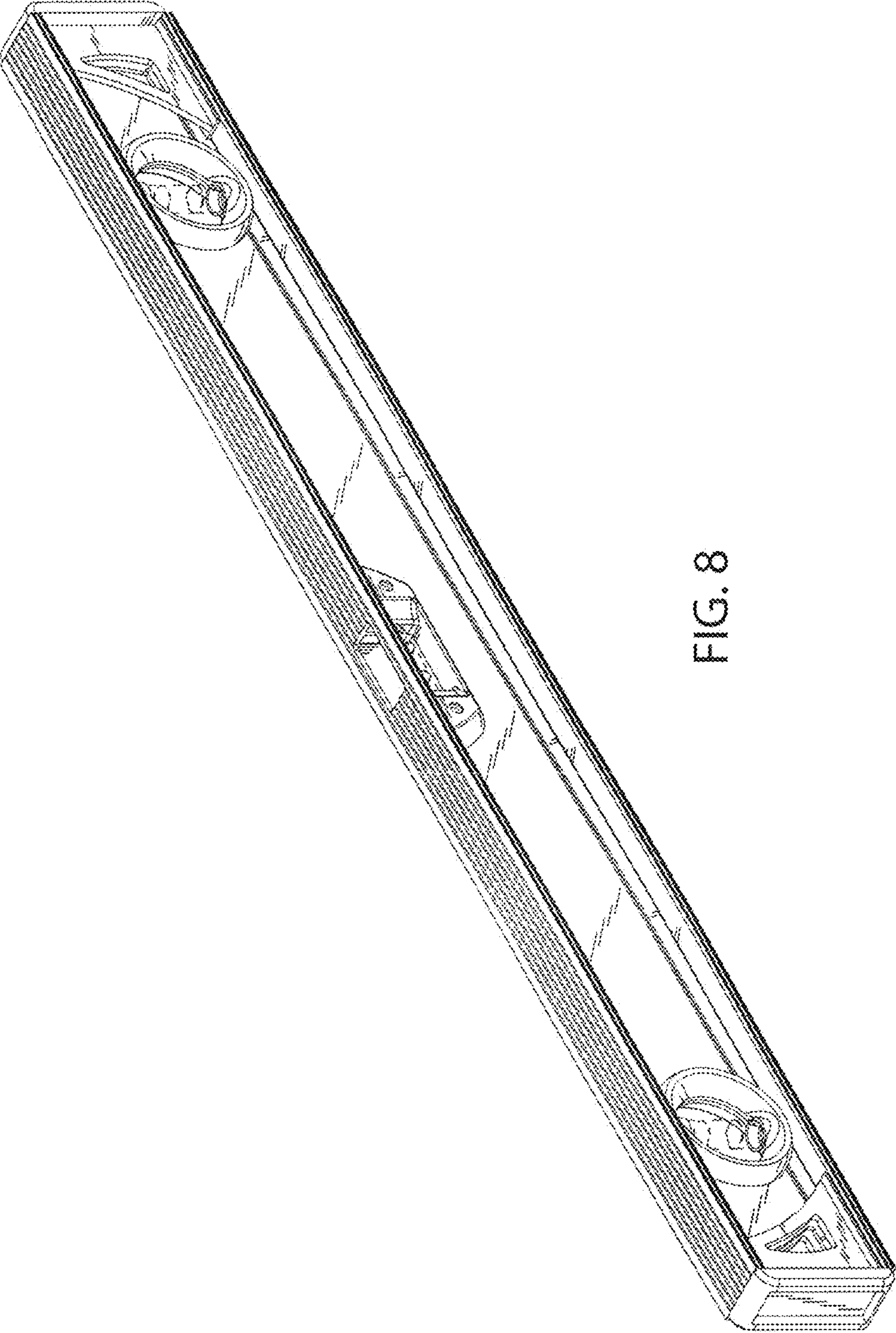


FIG. 8

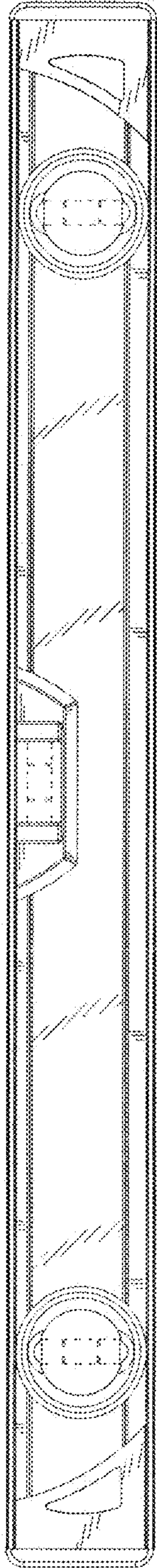


FIG. 9

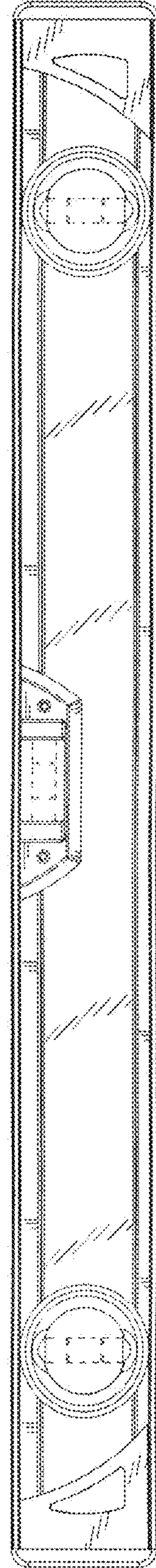


FIG. 10



FIG. 11

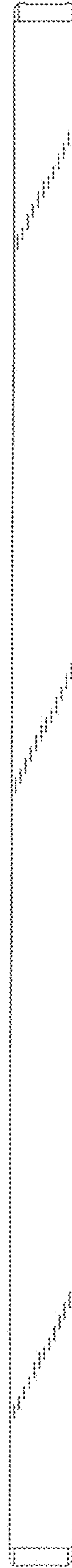


FIG. 12

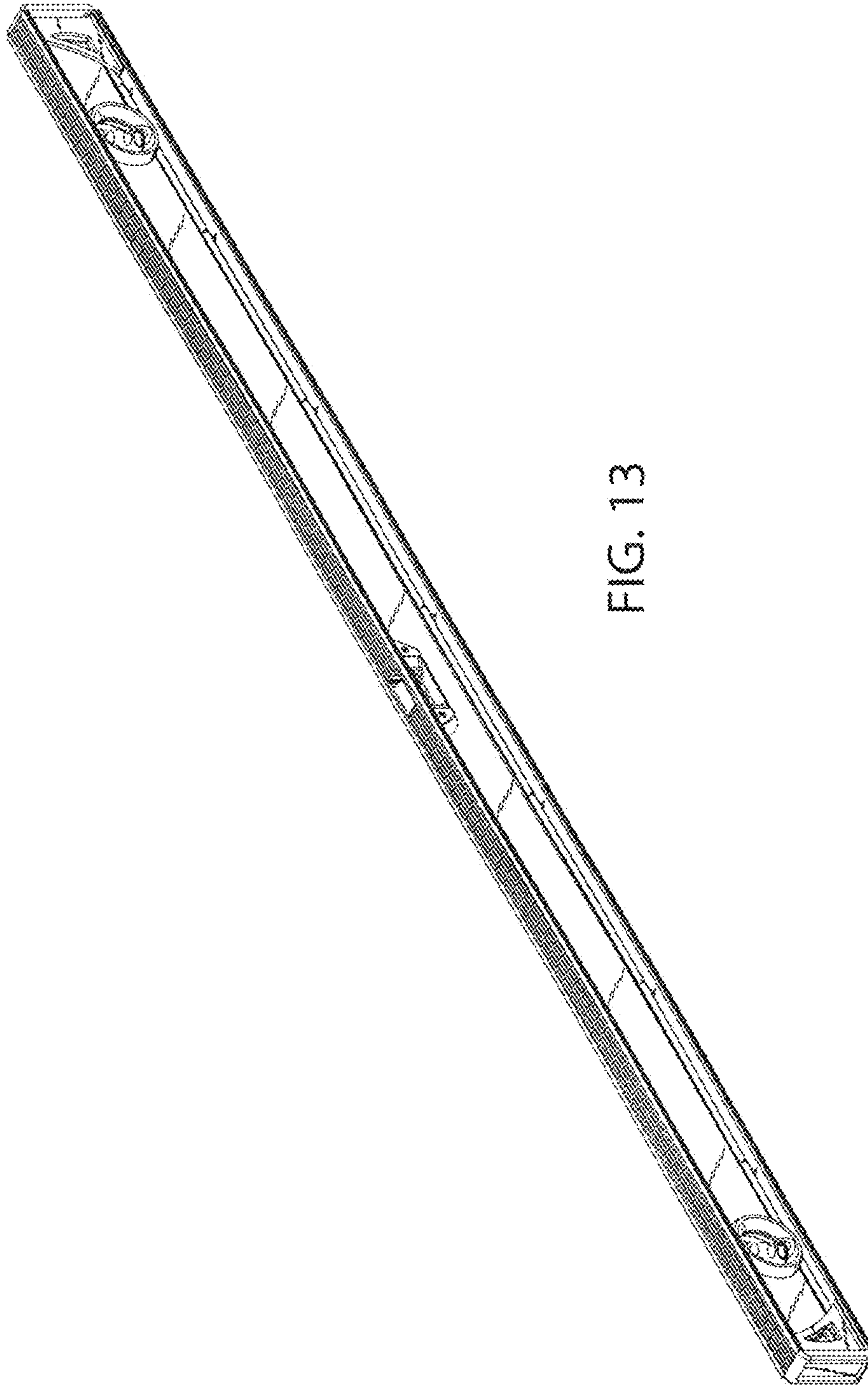


FIG. 13



FIG. 14

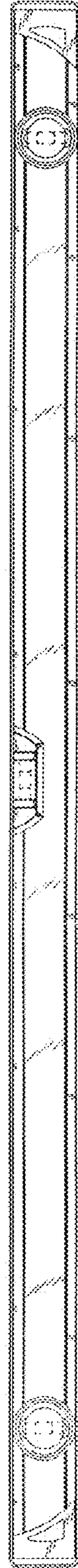


FIG. 15



FIG. 16



FIG. 17