



US00D751428S

(12) **United States Design Patent**
Johnson et al.

(10) **Patent No.:** **US D751,428 S**
(45) **Date of Patent:** **** Mar. 15, 2016**

- (54) **TORPEDO LEVEL**
- (71) Applicant: **Diamond Tech LLC**, Carson City, NV (US)
- (72) Inventors: **Robert A. Johnson**, Mequon, WI (US); **William G. Johnson**, Mequon, WI (US); **Timothy J. Wojciechowski**, Hubertus, WI (US); **John Dwyer**, Waukesha, WI (US); **Glenn Walters**, Port Washington, WI (US)
- (73) Assignee: **Diamond Tech LLC**, Carson City, NV (US)
- (**) Term: **14 Years**
- (21) Appl. No.: **29/521,368**
- (22) Filed: **Mar. 23, 2015**
- (51) **LOC (10) Cl.** **10-04**
- (52) **U.S. Cl.**
USPC **D10/69**
- (58) **Field of Classification Search**
USPC D10/69
CPC G01C 9/24; G01C 9/26; G01C 9/28; G01C 9/30; G01C 9/32; G01C 9/34; G01C 9/36
See application file for complete search history.

D472,168 S	3/2003	Levinson	
6,568,095 B2	5/2003	Snyder	
D507,194 S	7/2005	Budrow et al.	
D513,198 S	12/2005	Levinson	
D519,863 S *	5/2006	Kim	D10/69
D521,882 S *	5/2006	Kim	D10/69
7,086,166 B2	8/2006	Helda et al.	
7,152,335 B2	12/2006	Nichols	
D582,302 S	12/2008	Johnson et al.	
D625,630 S	10/2010	Levinson	
D628,914 S	12/2010	Kim et al.	
7,946,045 B2	5/2011	Allemand	
8,061,051 B2	11/2011	Allemand	
D694,659 S	12/2013	Yong et al.	
D729,645 S *	5/2015	Wojciechowski	D10/69
2005/0252016 A1	11/2005	Helda et al.	
2008/0282562 A1	11/2008	Allemand	

* cited by examiner

Primary Examiner — Antoine D Davis

(74) *Attorney, Agent, or Firm* — Boyle Fredrickson, S.C.

(57) **CLAIM**

The ornamental design of a torpedo level, as shown and described.

DESCRIPTION

FIG. 1 is an isometric view of a torpedo level incorporating our new design, wherein the portions in phantom form no part of the claimed design;

FIG. 2 is a side elevation view thereof;

FIG. 3 is an opposite side elevation view thereof;

FIG. 4 is a top plan view thereof;

FIG. 5 is a bottom plan view thereof;

FIGS. 6 and 7 are and elevation views thereof;

FIG. 8 is an isometric view similar to FIG. 1 illustrating another embodiment of a torpedo level incorporating our new design, wherein the portions in phantom form no part of the claimed design and wherein the end elevation views are the same as illustrated in FIGS. 6 and 7;

FIGS. 9 and 10 are side elevation views thereof;

FIG. 11 is a top plan view thereof; and,

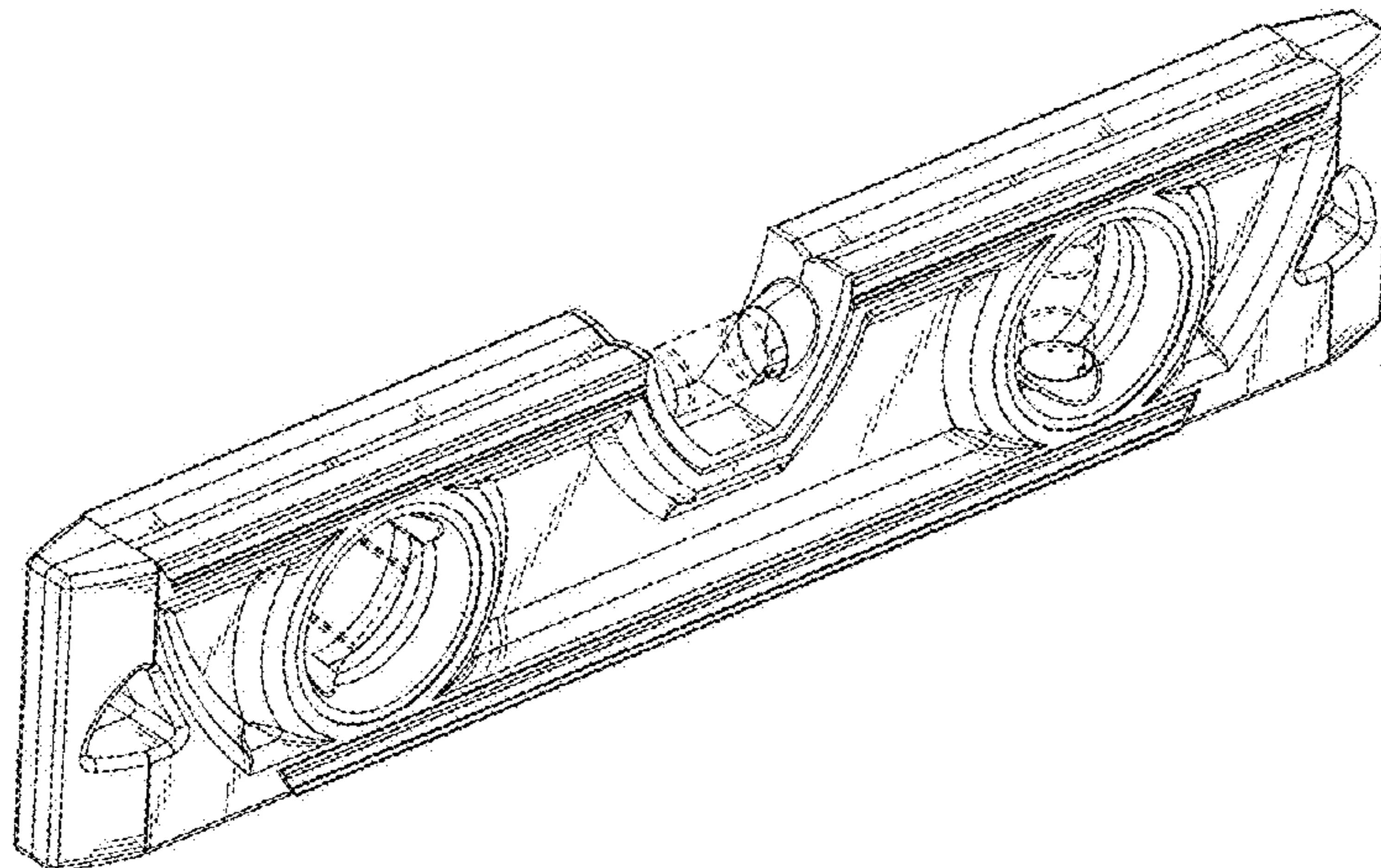
FIG. 12 is a bottom plan view thereof.

1 Claim, 7 Drawing Sheets

(56) **References Cited**

U.S. PATENT DOCUMENTS

D224,663 S	8/1972	de Jong
D280,185 S	8/1985	Wright
4,593,475 A	6/1986	Mayes
4,829,676 A	5/1989	Waldron
D301,553 S	6/1989	Makofsky et al.
4,876,798 A	10/1989	Zimmerman
D320,360 S	10/1991	Kennedy
D332,226 S	1/1993	Hutchins et al.
D355,134 S	2/1995	Kennedy
D412,857 S	8/1999	Howard et al.
D415,436 S	10/1999	Martone
D469,370 S	1/2003	Gruetzmacher et al.



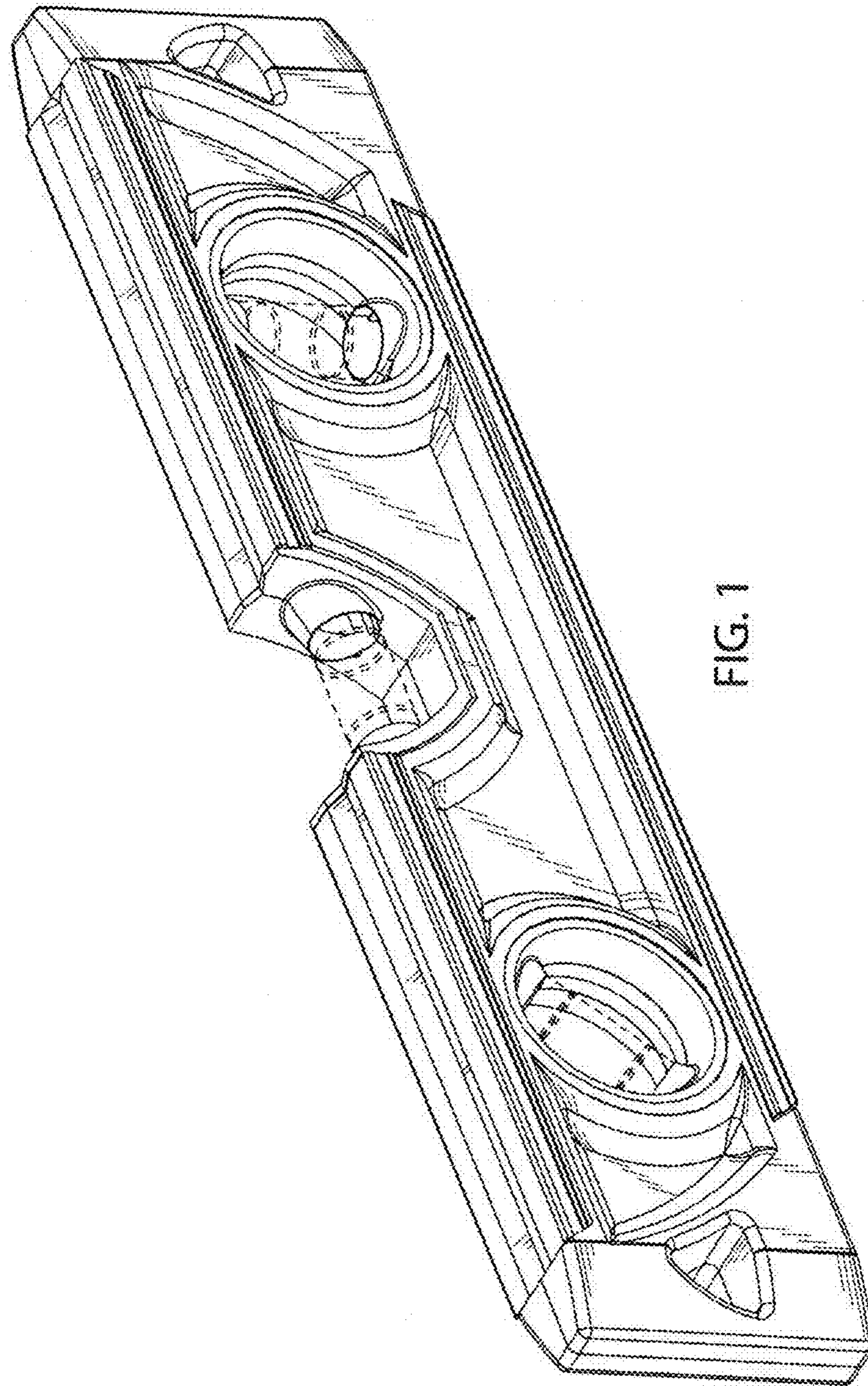


FIG. 1

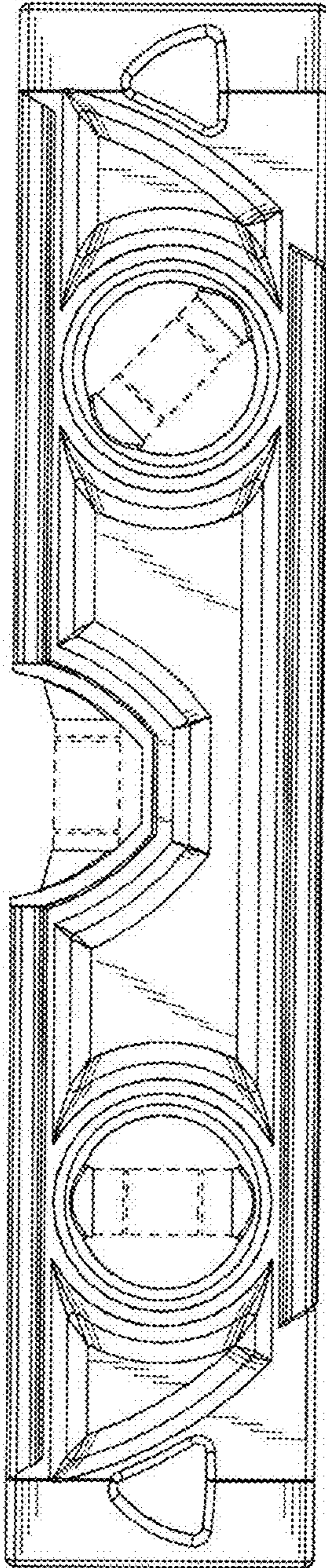


FIG. 2

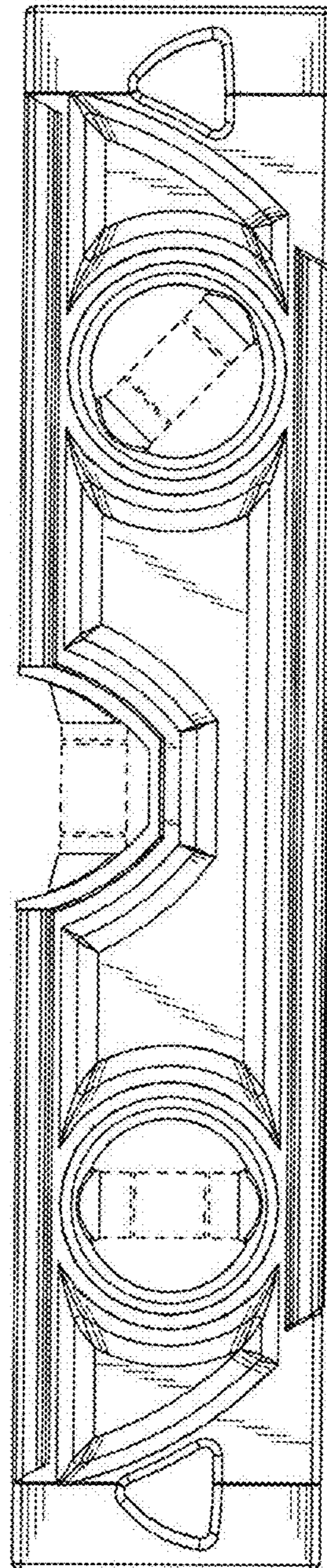


FIG. 3

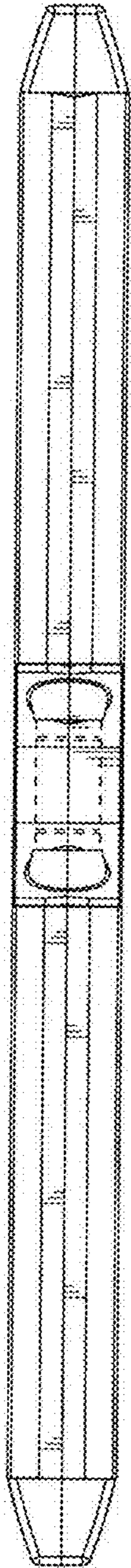


FIG. 4

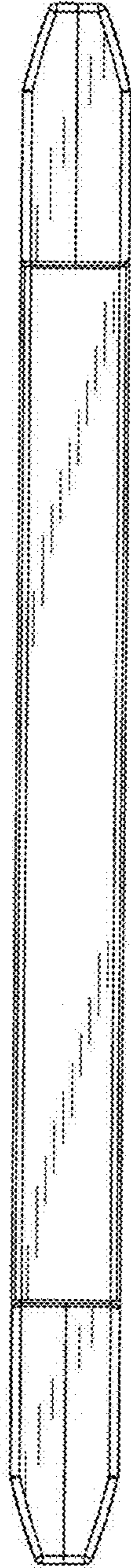


FIG. 5



FIG. 7

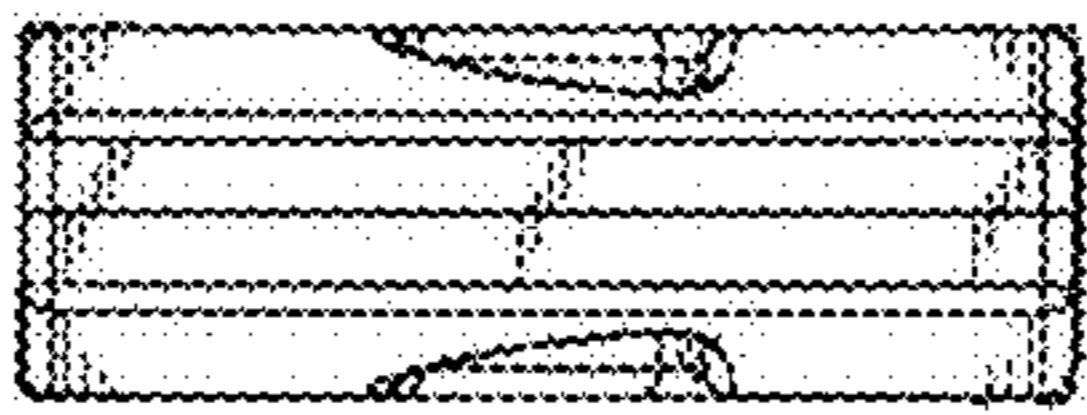


FIG. 6

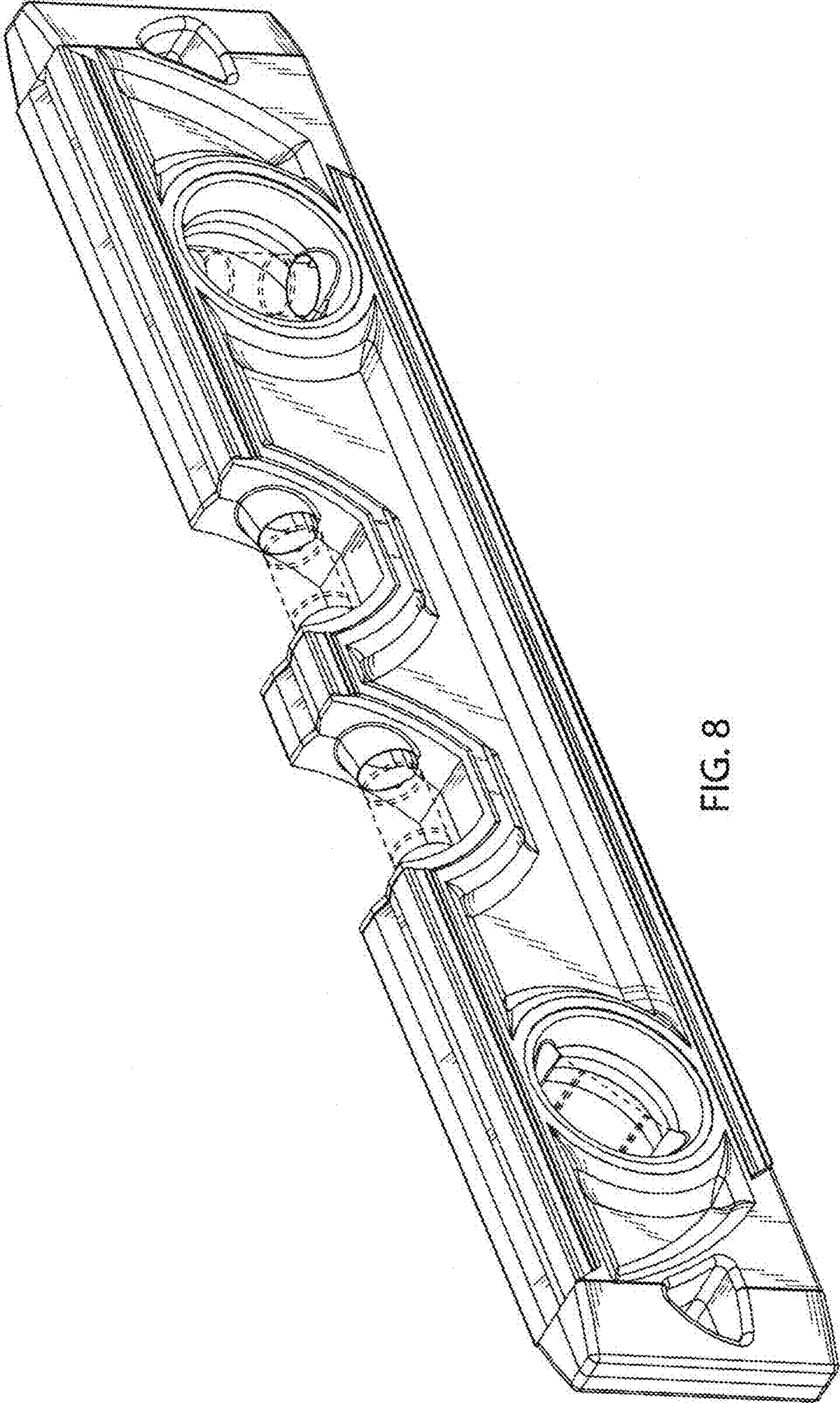


FIG. 8

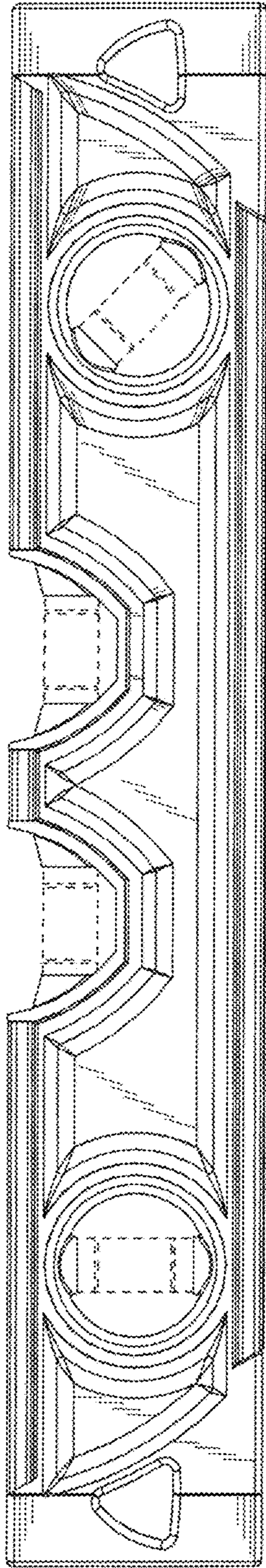


FIG. 9

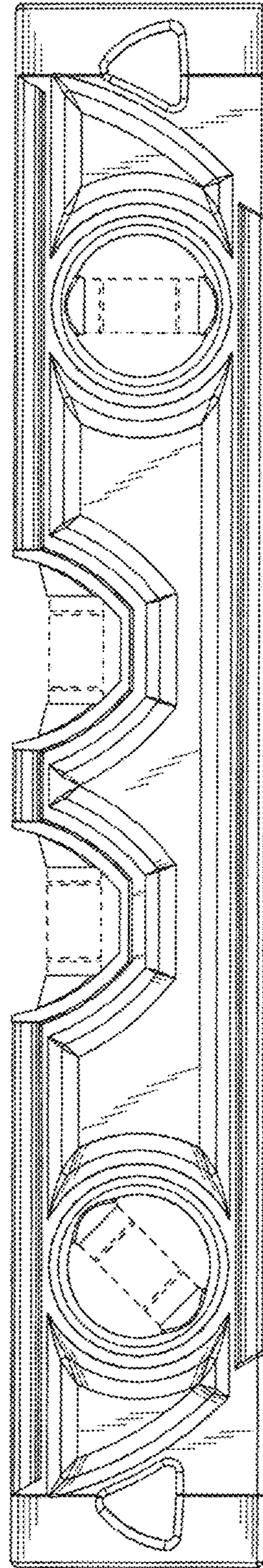


FIG. 10

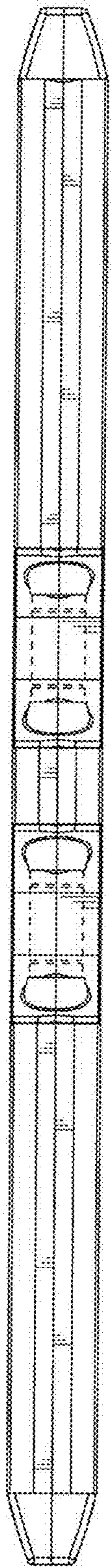


FIG. 11

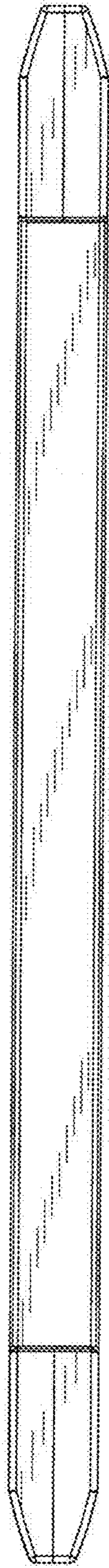


FIG. 12