



US00D751427S

(12) **United States Design Patent**
Johnson et al.

(10) **Patent No.:** **US D751,427 S**
(45) **Date of Patent:** **** Mar. 15, 2016**

(54) **I-BEAM LEVEL**
(71) Applicant: **Johnson Level & Tool Mfg. Co., Inc.**,
Mequon, WI (US)
(72) Inventors: **William G. Johnson**, Mequon, WI (US);
Robert A. Johnson, Mequon, WI (US);
Timothy J. Wojciechowski, Hubertus,
WI (US)
(73) Assignee: **Johnson Level & Tool Mfg. Co., Inc.**,
Mequon, WI (US)
(**) Term: **14 Years**
(21) Appl. No.: **29/511,247**

(22) Filed: **Dec. 9, 2014**
(51) **LOC (10) Cl.** **10-04**
(52) **U.S. Cl.**
USPC **D10/69**
(58) **Field of Classification Search**
USPC D10/69
CPC G01C 9/24; G01C 9/26; G01C 9/28;
G01C 9/30; G01C 9/32; G01C 9/34; G01C
9/36
See application file for complete search history.

(56) **References Cited**
U.S. PATENT DOCUMENTS
D521,399 S 5/2006 Johnson et al.

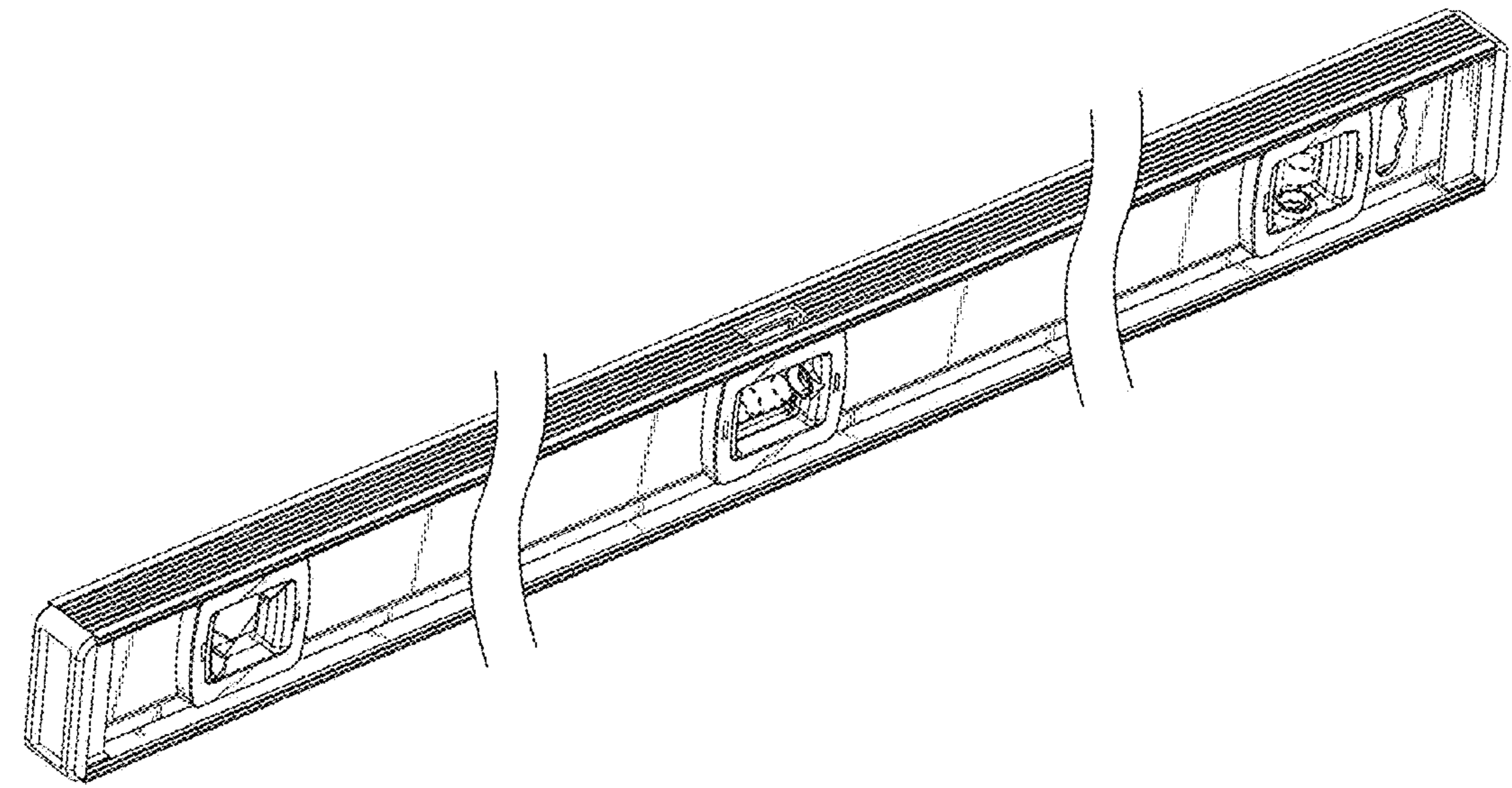
D537,000 S * 2/2007 Kim D10/69
D555,523 S 11/2007 Nickel et al.
D598,309 S * 8/2009 Gofer D10/69
D633,400 S 3/2011 Wojciechowski et al.
D634,221 S 3/2011 Wojciechowski et al.

* cited by examiner
Primary Examiner — Antoine D Davis
(74) *Attorney, Agent, or Firm* — Boyle Fredrickson, S.C.

(57) **CLAIM**
The ornamental design of an I-beam level, as shown and described.

DESCRIPTION
FIG. 1 is an isometric view of an I-beam level incorporating our new design;
FIGS. 2 and 3 are side elevation views thereof;
FIG. 4 is a top plan view thereof;
FIG. 5 is a bottom plan view thereof; and,
FIGS. 6 and 7 are end elevation views thereof.
The broken line showing of structural features is included for the purpose of illustrating non-claimed subject matter and forms no part of the claimed design.
The article is shown with a symbolic break in its length and width. The appearance of any portion of the article between the break lines forms no part of the claimed design.

1 Claim, 4 Drawing Sheets



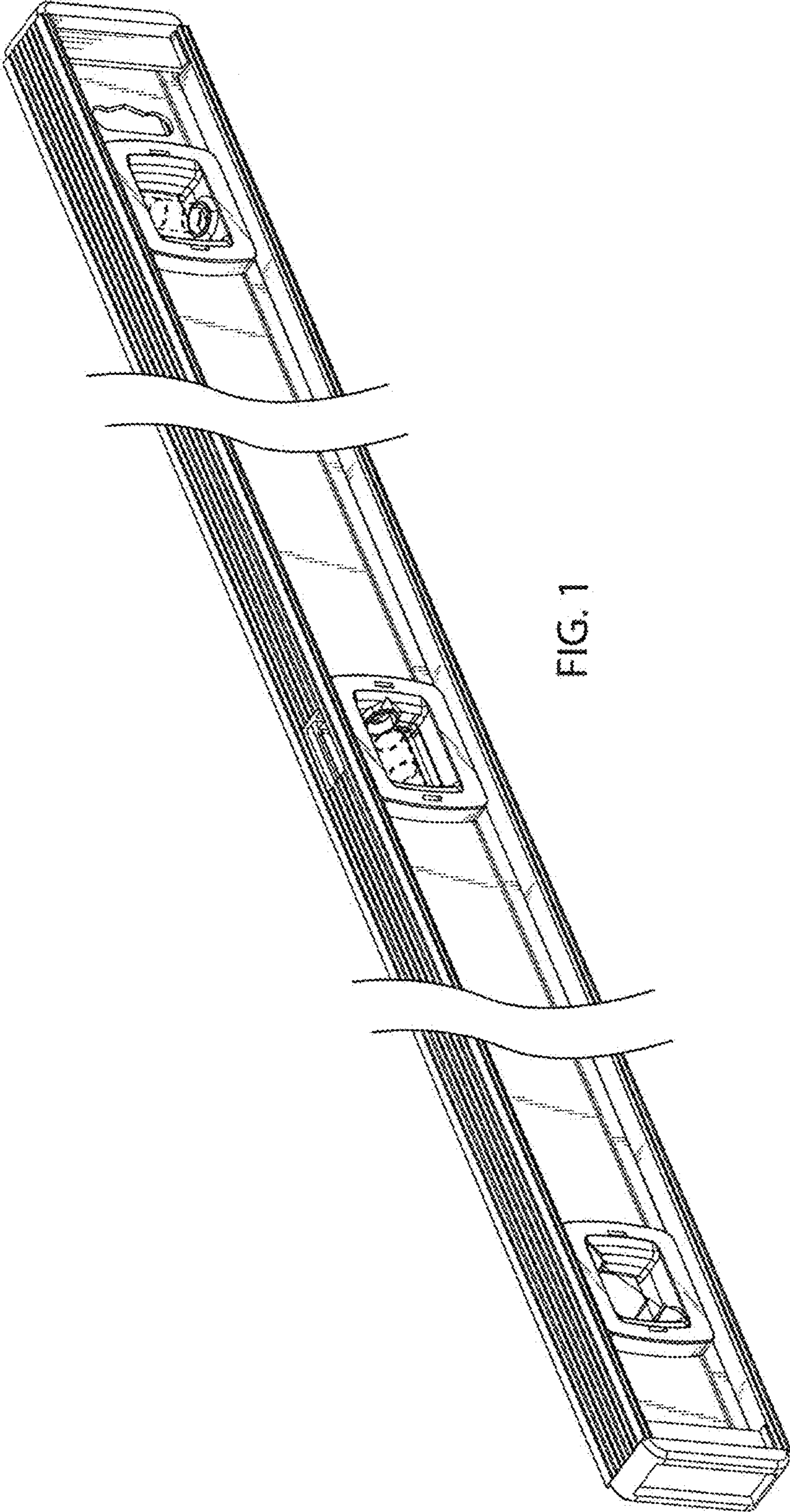


FIG. 1

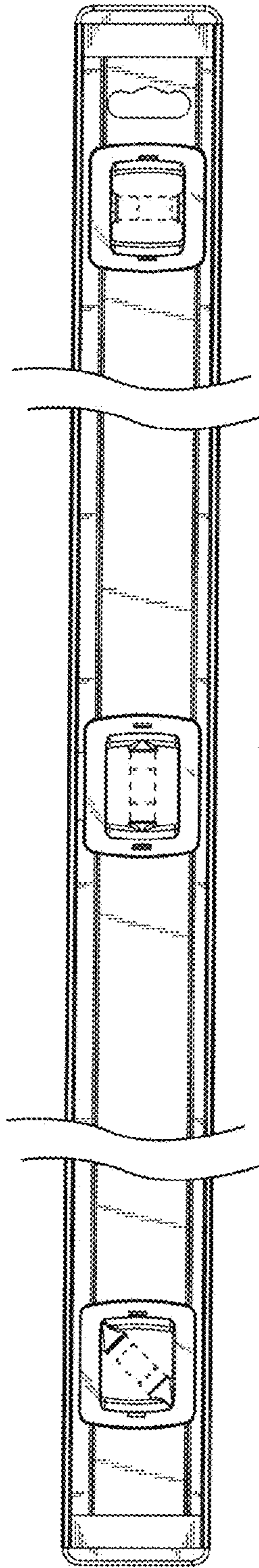


FIG. 2

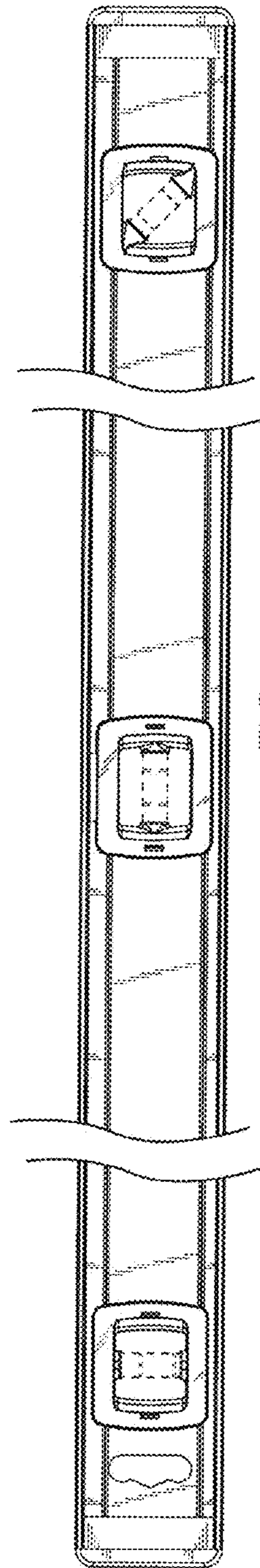
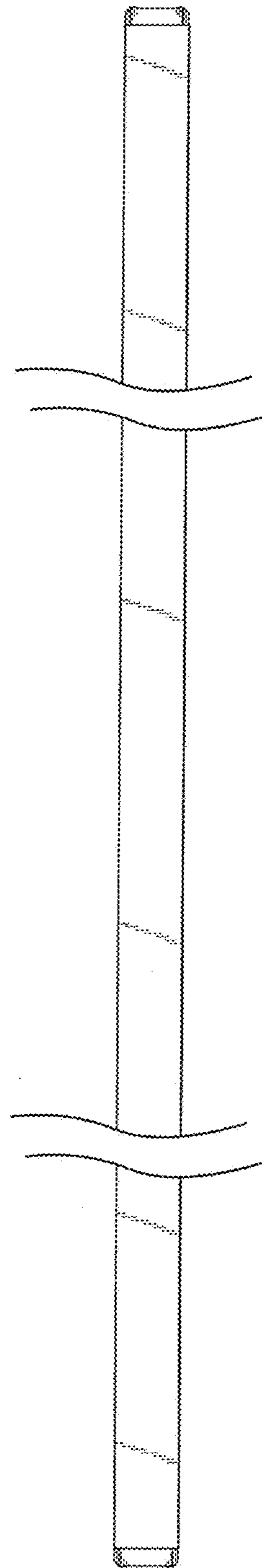
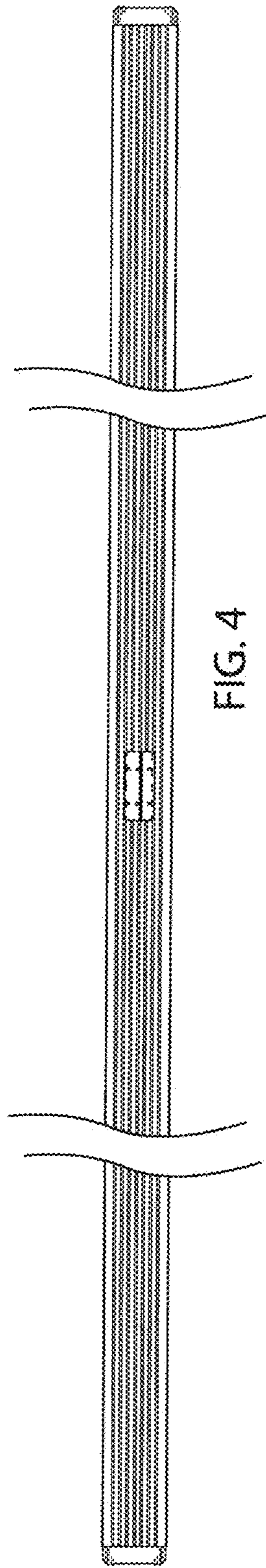


FIG. 3



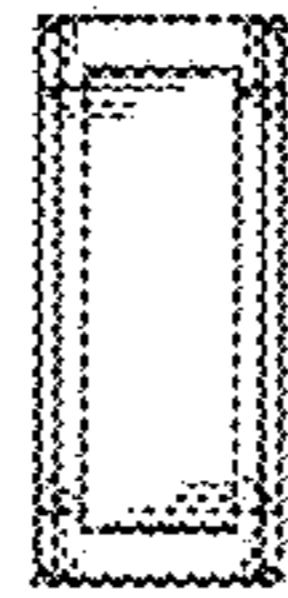


FIG. 6

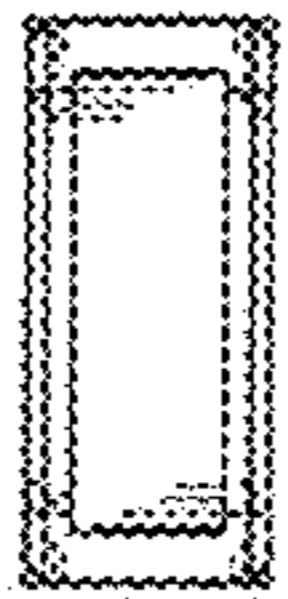


FIG. 7