



US00D751425S

(12) **United States Design Patent**
Iler

(10) **Patent No.:** **US D751,425 S**
(45) **Date of Patent:** **** Mar. 15, 2016**

(54) **SCOREBOARD**
(71) Applicant: **Scott A. Iler**, O'Fallon, IL (US)
(72) Inventor: **Scott A. Iler**, O'Fallon, IL (US)

5,329,874 A * 7/1994 Posey A63B 71/0672
116/222
5,615,636 A * 4/1997 Gustafson A63B 71/0672
116/223
5,694,881 A * 12/1997 Creech G09F 15/0056
116/222
D418,431 S * 1/2000 Nicksich D10/46.1
D432,031 S * 10/2000 Miller D10/46.1
D615,423 S * 5/2010 Alkire D10/46.1

(**) Term: **14 Years**

* cited by examiner

(21) Appl. No.: **29/517,464**

Primary Examiner — Prabhakar Deshmukh
(74) *Attorney, Agent, or Firm* — Kevin L. Klug

(22) Filed: **Feb. 12, 2015**

(51) **LOC (10) Cl.** **21-01**

(52) **U.S. Cl.**
USPC **D10/46.1**

(57) **CLAIM**
The ornamental design for a scoreboard, as shown and described.

(58) **Field of Classification Search**
USPC D10/46, 46.1; 235/1 B; 116/222–225,
116/279, 280, DIG. 35; 273/281, 282.1,
273/287, 236, 148 A; 40/606.16, 617, 618;
D21/302, 307
CPC A63B 71/06; G09F 9/00; G09F 15/00;
G09F 17/00
See application file for complete search history.

DESCRIPTION

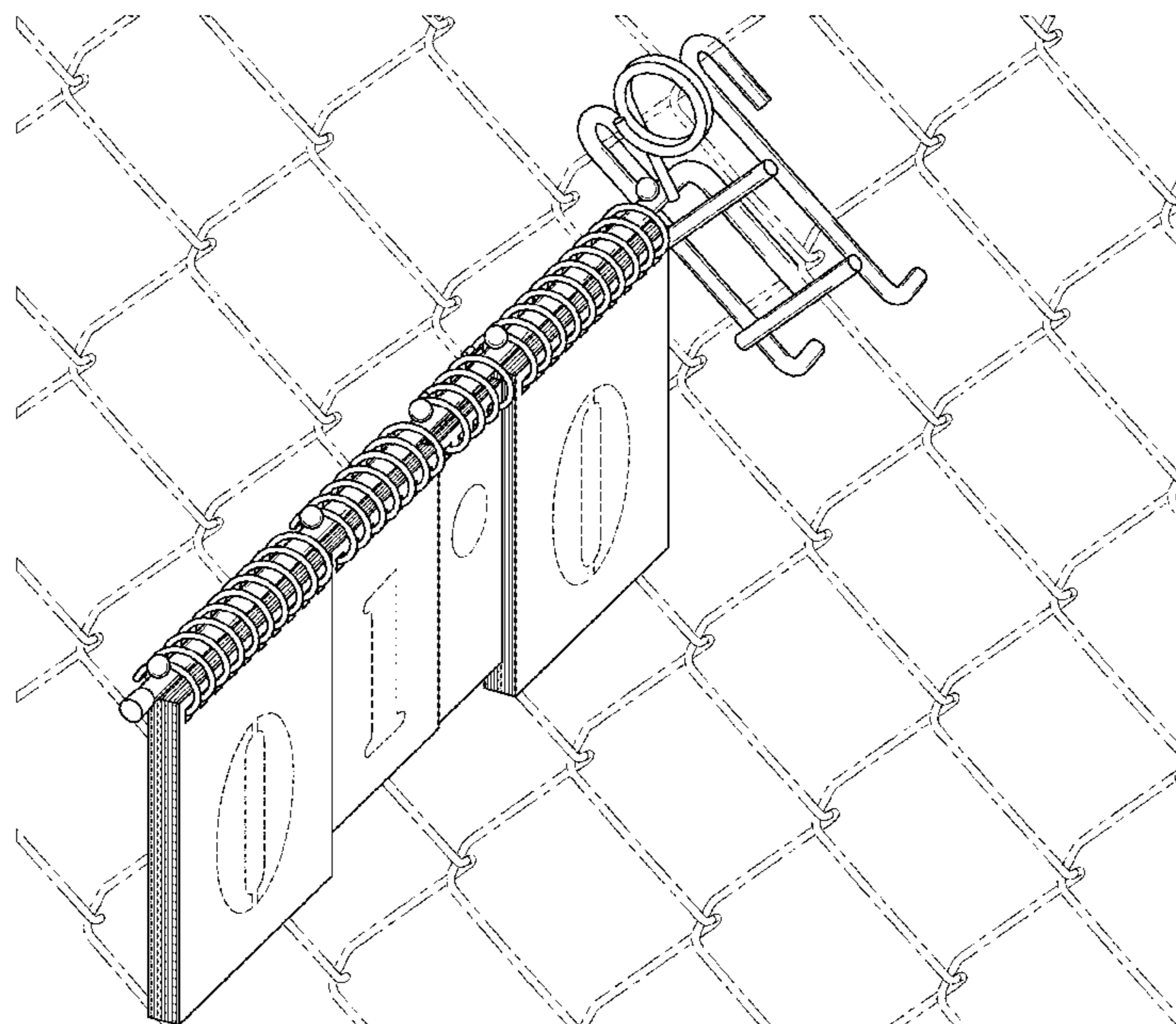
FIG. 1 is a front top right perspective view of a scoreboard within the environment of attachment with a fence. The broken lines showing the fence and symbols are for the purpose of illustrating the environmental structure and form no part of the claimed design;
FIG. 2 is a right side elevation view of a scoreboard. The broken lines showing symbols are for the purpose of illustrating the environmental structure and form no part of the claimed design;
FIG. 3 is a left side elevation view thereof. The broken lines showing symbols are for the purpose of illustrating the environmental structure and form no part of the claimed design;
FIG. 4 is a front elevation view of a scoreboard;
FIG. 5 is a rear elevation view thereof;
FIG. 6 is a bottom plan view thereof; and,
FIG. 7 is a top plan view thereof.

(56) **References Cited**

U.S. PATENT DOCUMENTS

3,220,127 A * 11/1965 Wilson A63B 71/0672
116/173
3,246,411 A * 4/1966 Aafedt A63B 71/0672
116/222
4,185,583 A * 1/1980 Stamm A63B 71/0672
116/225

1 Claim, 6 Drawing Sheets



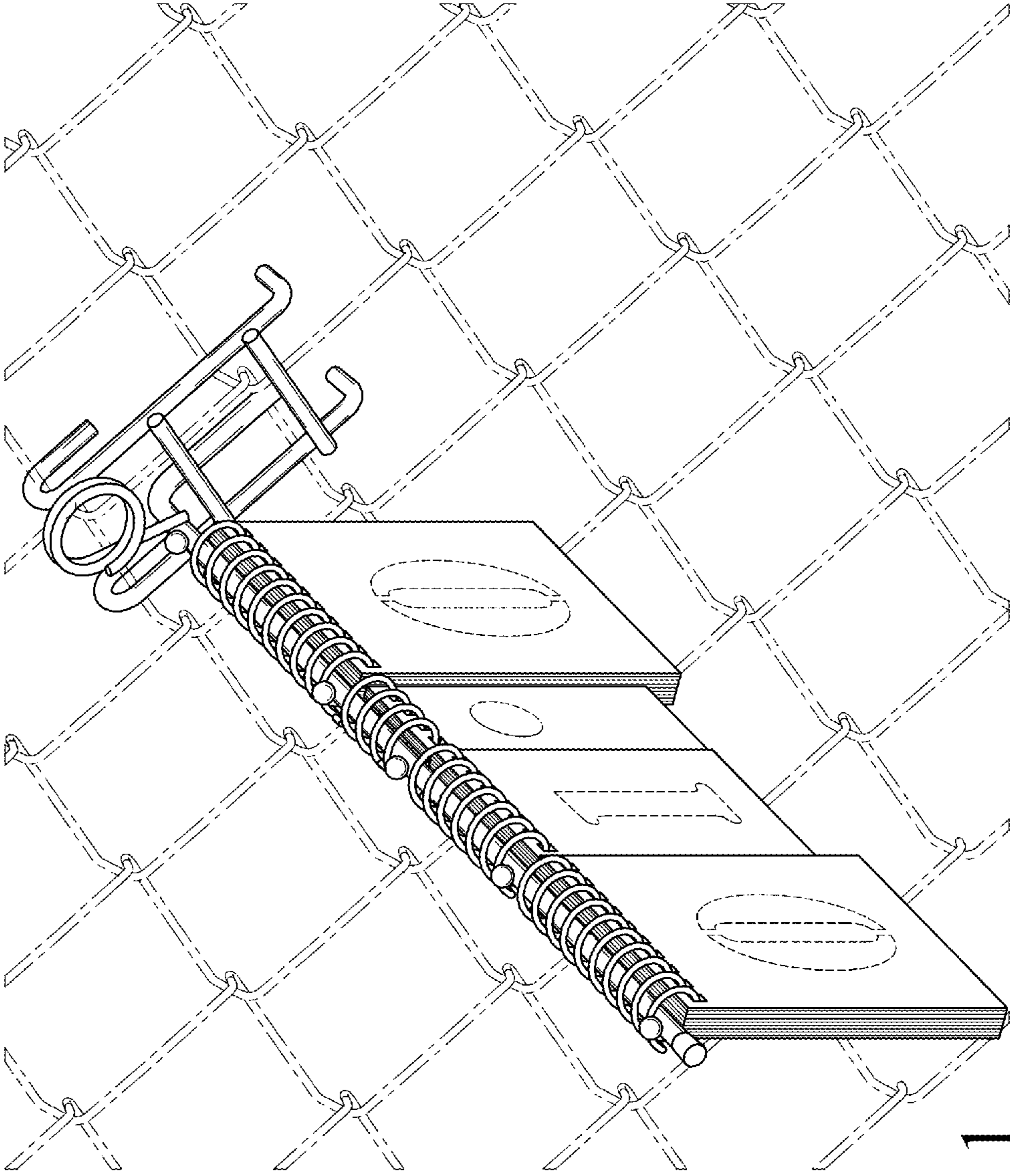


Fig. 1

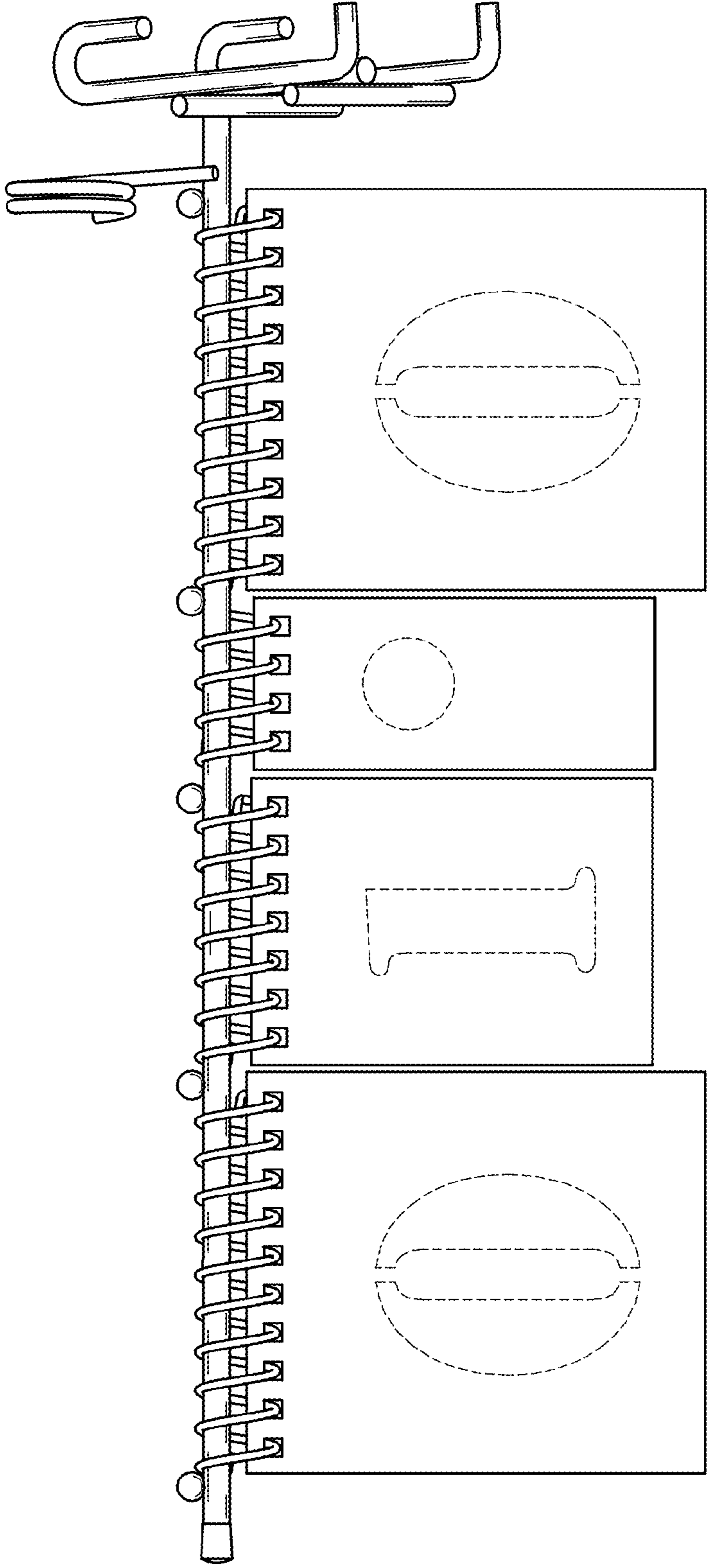


Fig. 2

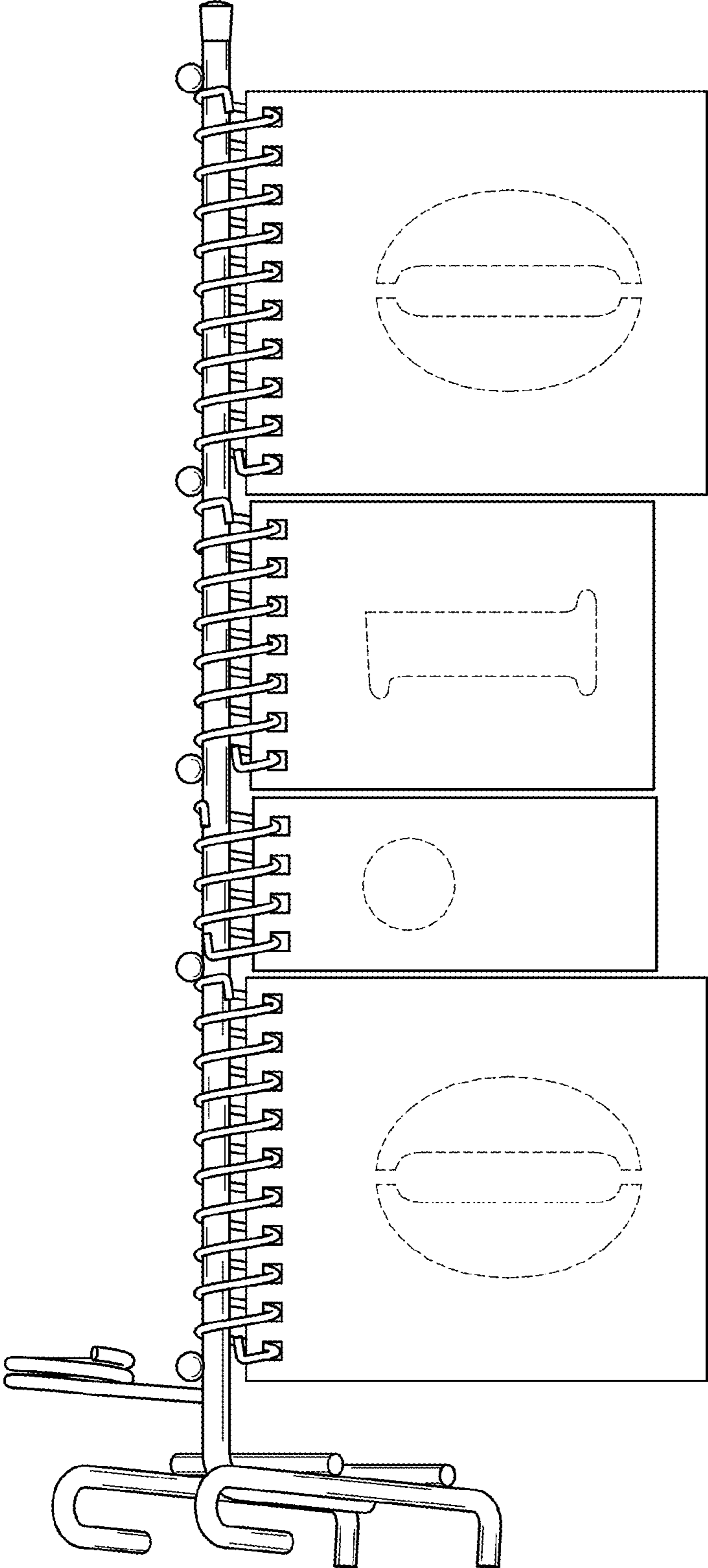


Fig. 3

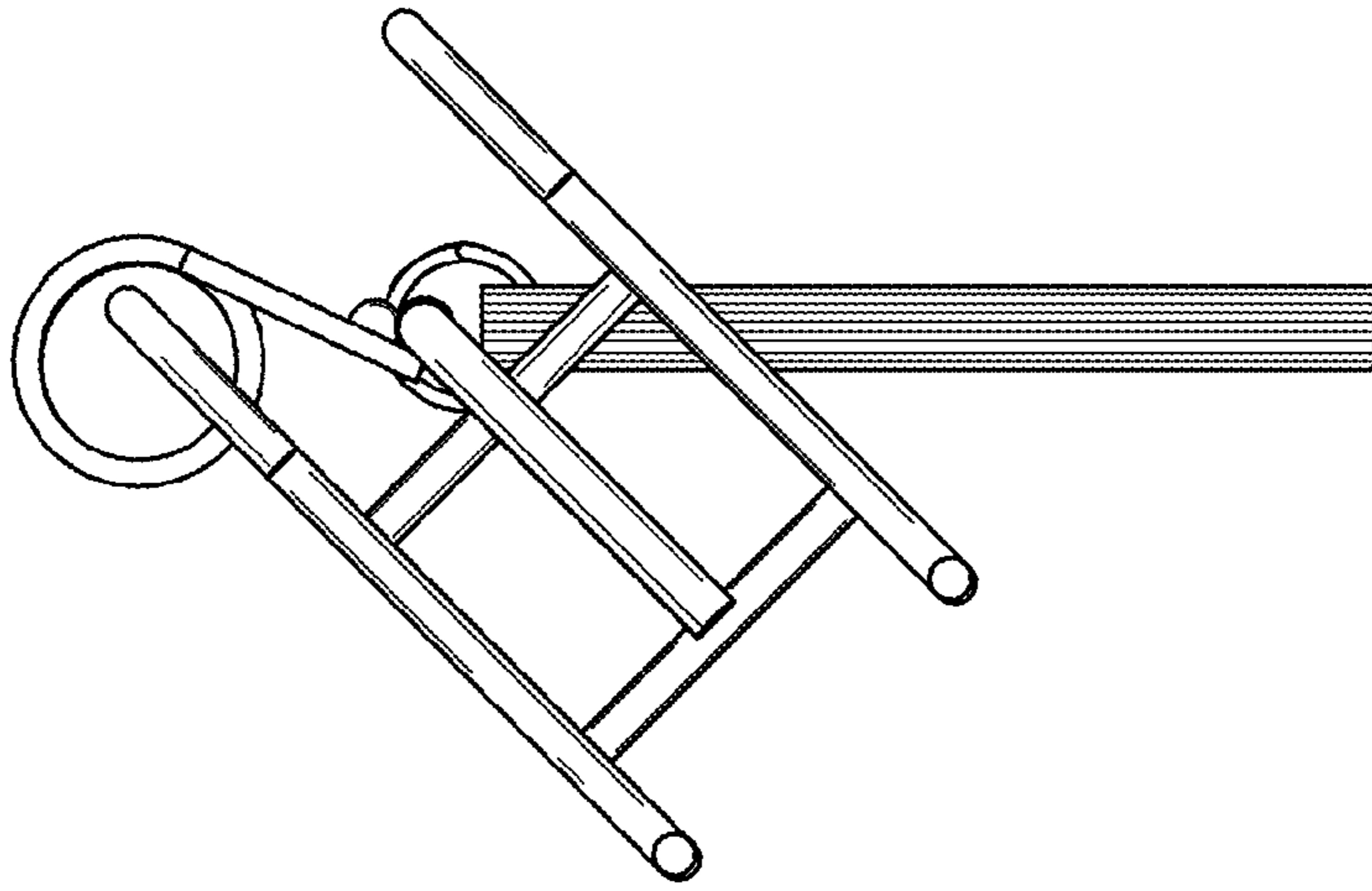


Fig. 5

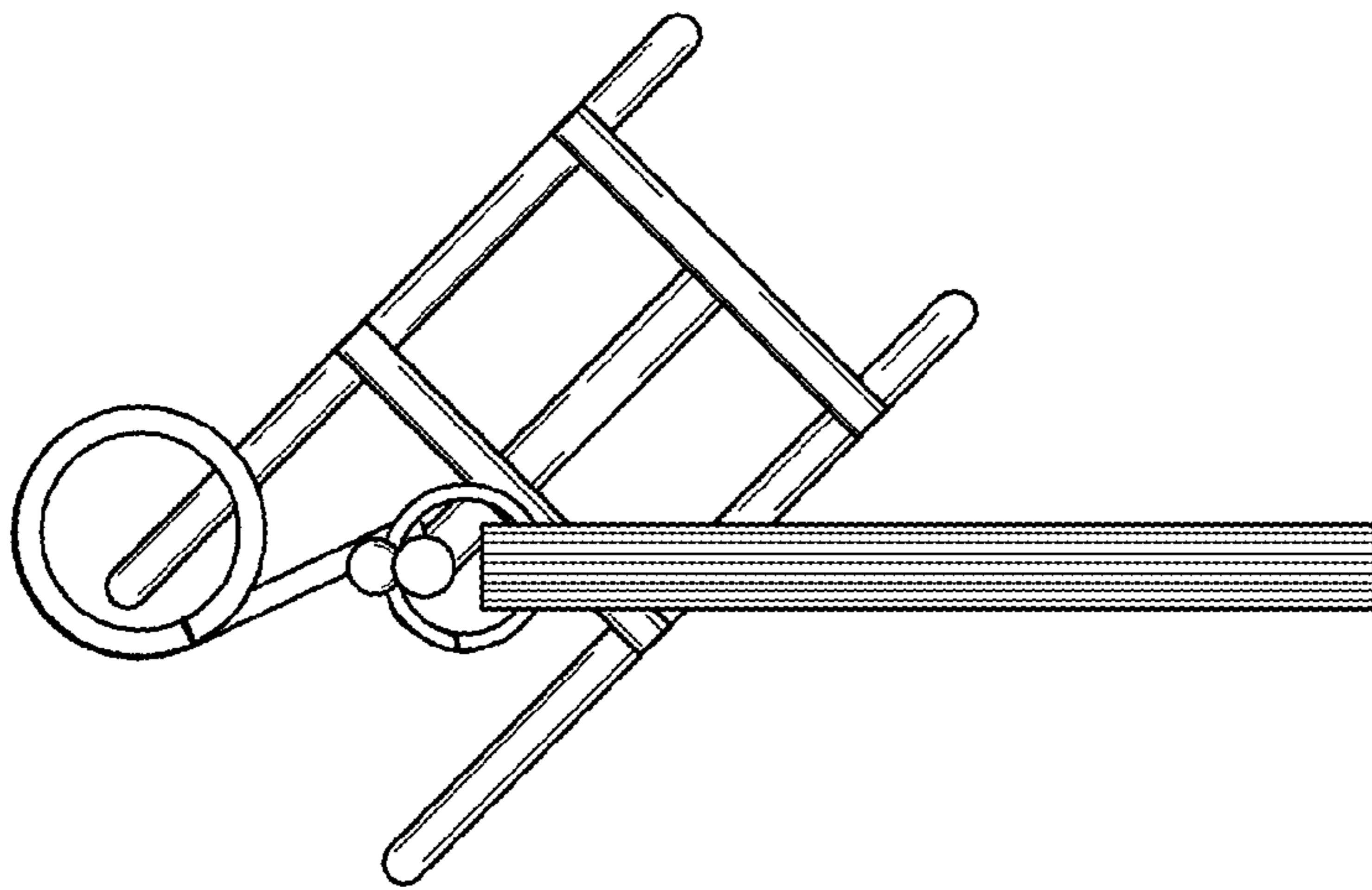


Fig. 4

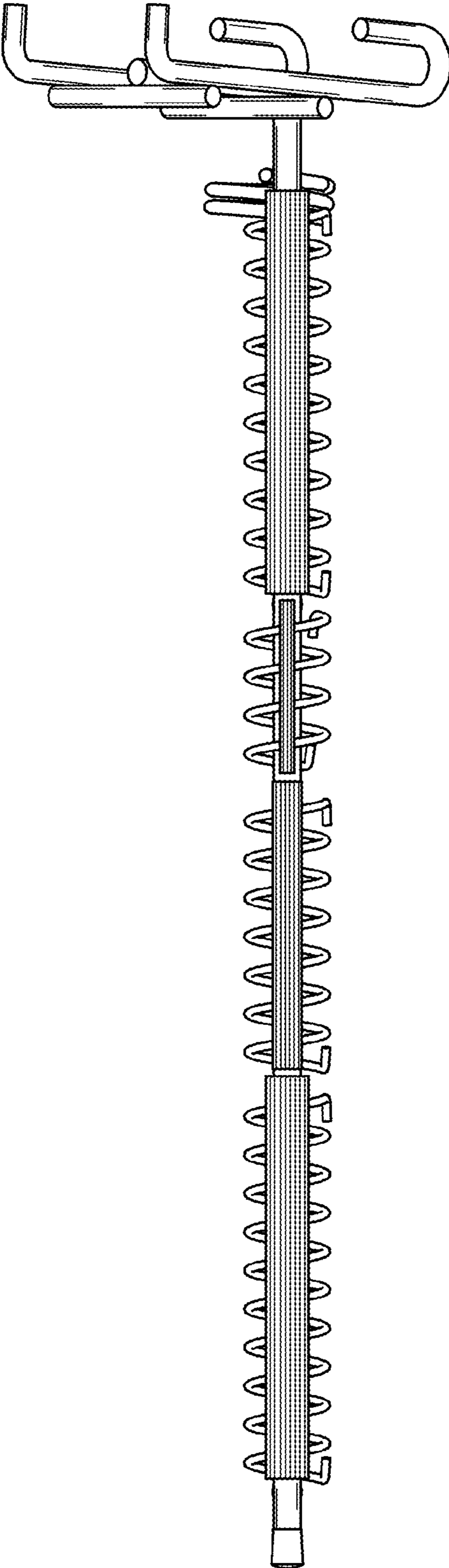


Fig. 6

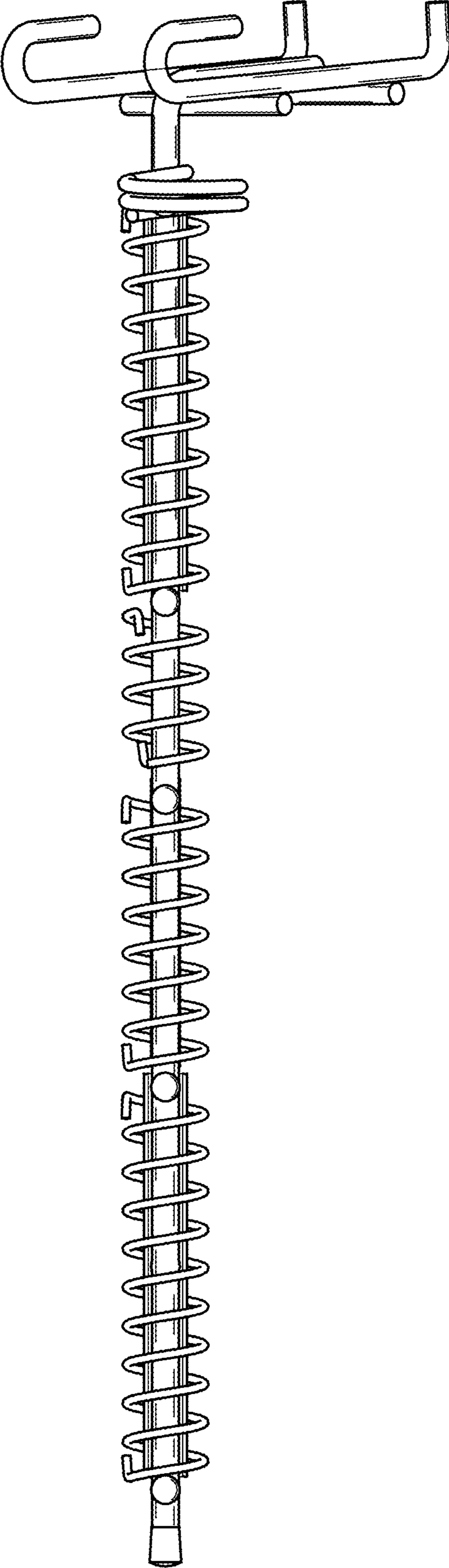


Fig. 7