



US00D751424S

(12) **United States Design Patent**
Vochezer

(10) **Patent No.:** **US D751,424 S**
(45) **Date of Patent:** **** Mar. 15, 2016**

- (54) **METRONOME**
- (71) Applicant: **Wittner GmbH & Co. KG**, Isny (DE)
- (72) Inventor: **Georg Vochezer**,
Argenbuehl-Christazhofen (DE)
- (73) Assignee: **Wittner GmbH & Co. KG**, Isny (DE)
- (**) Term: **14 Years**
- (21) Appl. No.: **29/481,273**
- (22) Filed: **Feb. 4, 2014**

3,662,538	A *	5/1972	Wittner	84/484
3,724,203	A *	4/1973	Wittner	84/484
3,817,027	A *	6/1974	Wittner	84/484
D249,936	S *	10/1978	Ishida	D10/43
D253,399	S *	11/1979	Harle	D10/43
4,237,549	A *	12/1980	Harle	368/134
4,759,253	A *	7/1988	Harle et al.	84/484
5,586,088	A *	12/1996	Vochezer	368/134

(30) **Foreign Application Priority Data**

Aug. 9, 2013 (EM) 002289306

- (51) **LOC (10) Cl.** **10-03**
- (52) **U.S. Cl.**
USPC **D10/43**
- (58) **Field of Classification Search**
USPC D10/43
CPC G04F 5/00; G04F 5/02; G04F 5/022;
G04F 5/025
See application file for complete search history.

(56) **References Cited**

U.S. PATENT DOCUMENTS

D108,274	S *	2/1938	Wolsfield	D10/43
D134,188	S *	10/1942	Green	D9/665
2,375,294	A *	5/1945	Engel et al.	84/484
2,737,011	A *	3/1956	Wittner	84/484
D192,641	S *	4/1962	Harkins	D10/43
3,386,327	A *	6/1968	Franz	84/484
D216,036	S *	11/1969	Levin	D10/43
3,486,323	A *	12/1969	Franz	84/484

OTHER PUBLICATIONS

Wittner GmbH & Co. KG product catalog, 50 pages, (see metronomes on pp. 3-23 available before priority date), undated.

* cited by examiner

Primary Examiner — Martie K Holtje

(74) *Attorney, Agent, or Firm* — Lipsitz & McAllister, LLC

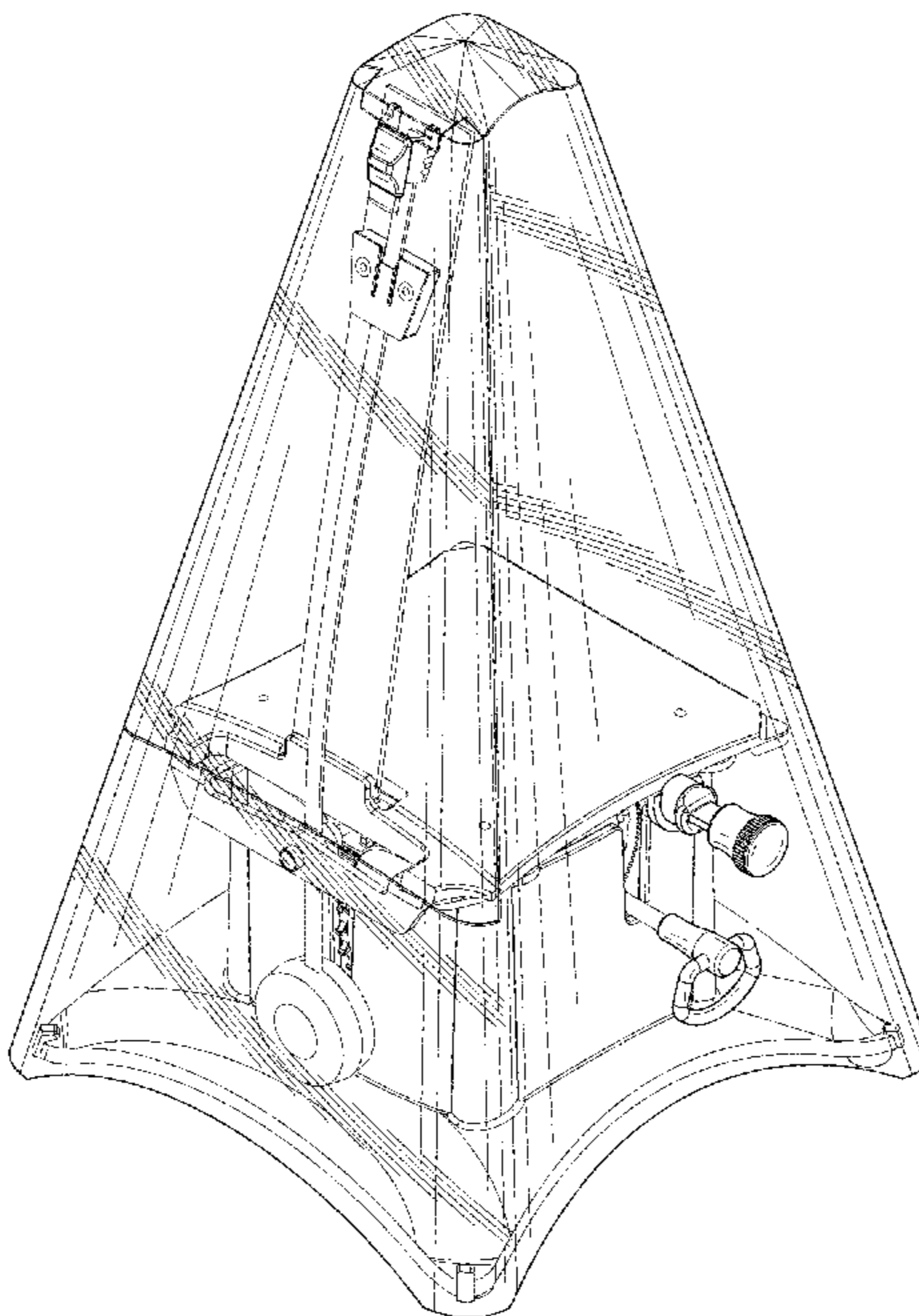
(57) **CLAIM**

The ornamental design for a metronome, as shown and described.

DESCRIPTION

FIG. 1 is a front elevational view of a metronome showing the new design;
 FIG. 2 is a rear elevational view thereof;
 FIG. 3 is a top plan view thereof;
 FIG. 4 is a bottom plan view thereof;
 FIG. 5 is a left side elevational view thereof;
 FIG. 6 is a right side elevational view thereof; and,
 FIG. 7 is a front, top and right side perspective view thereof.
 The structural features depicted by broken lines in FIG. 4 have been shown for the purpose of illustrating portions of the metronome that form no part of the claimed design.

1 Claim, 7 Drawing Sheets



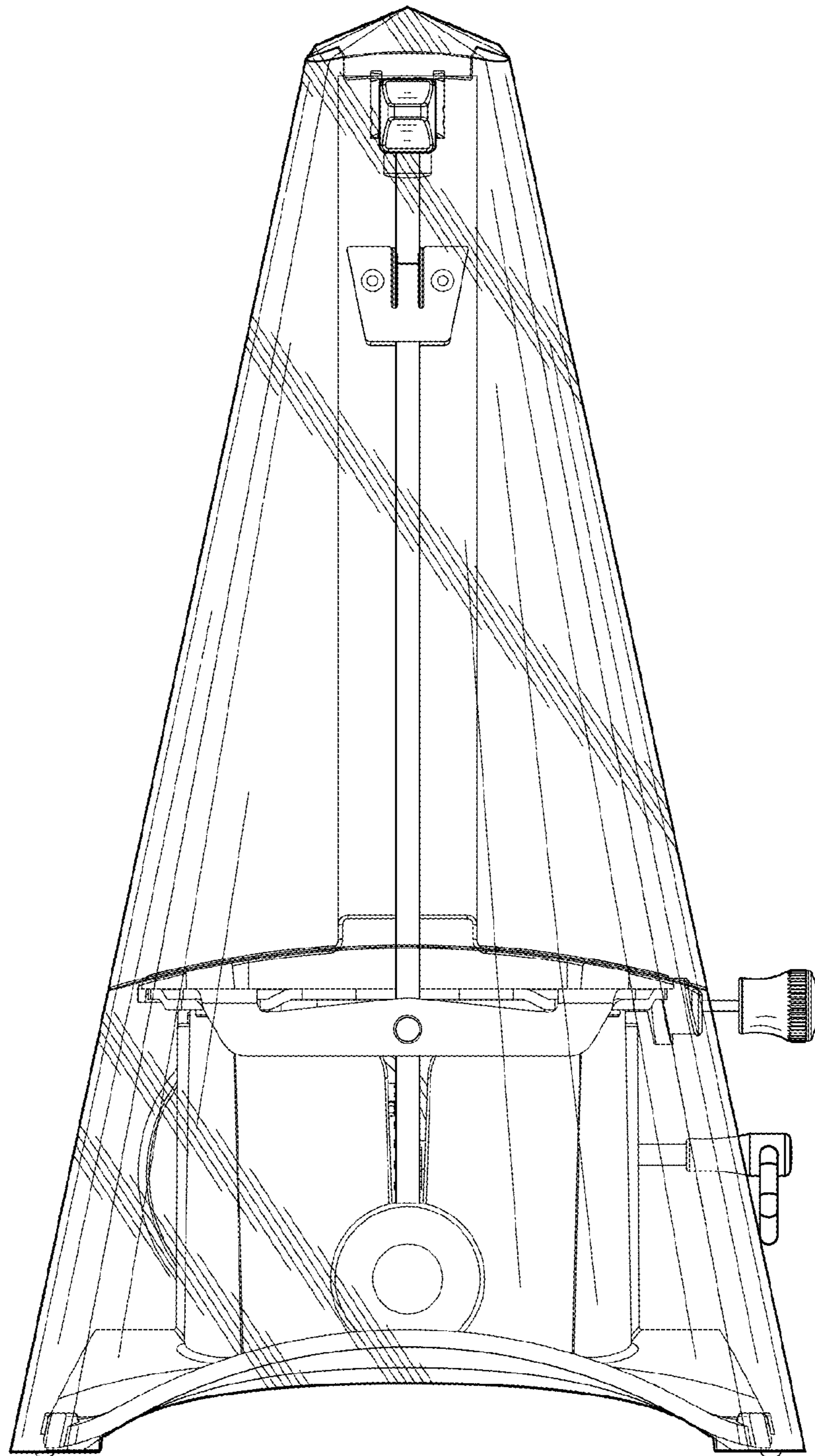


FIG. 1

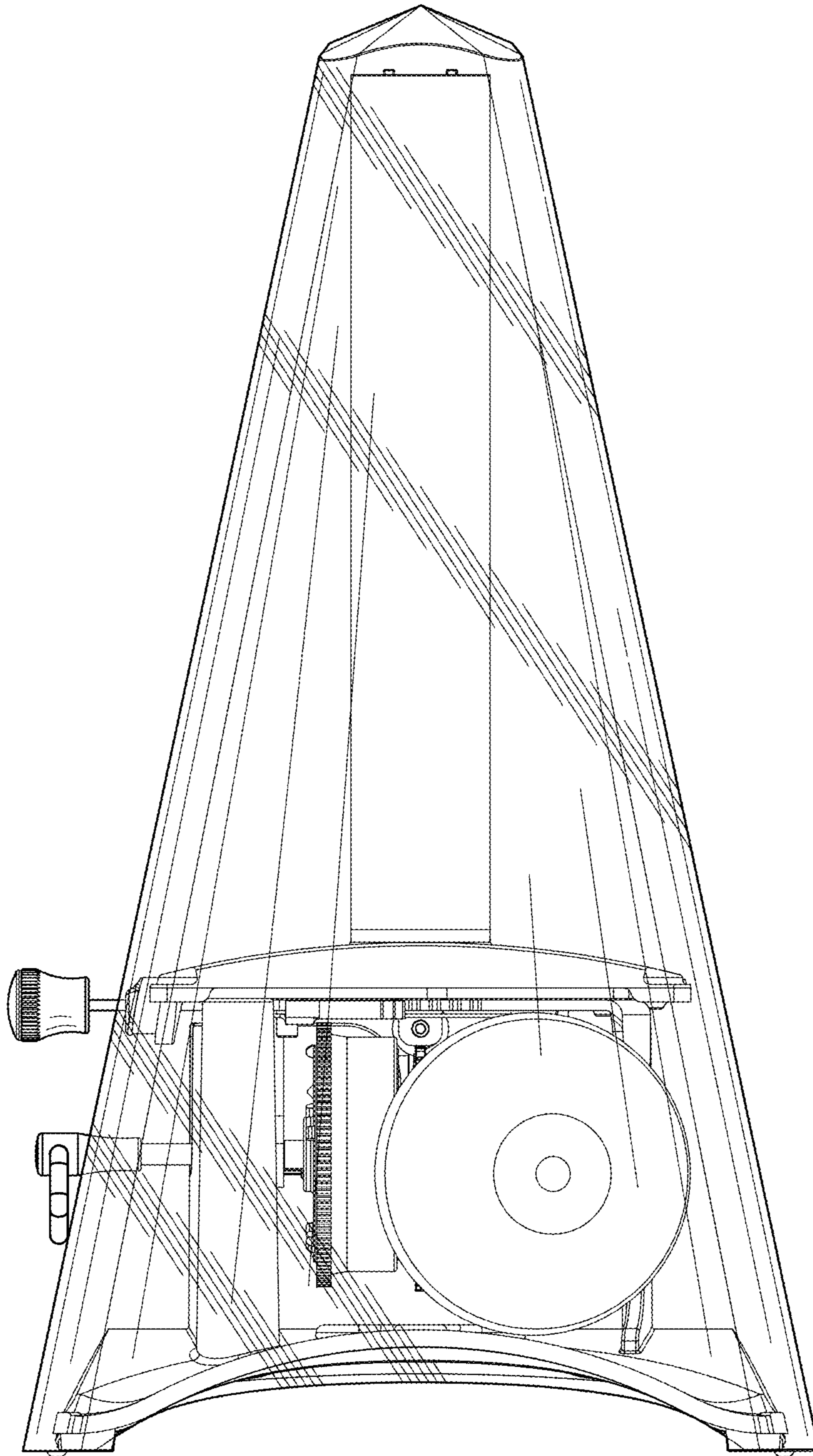


FIG. 2

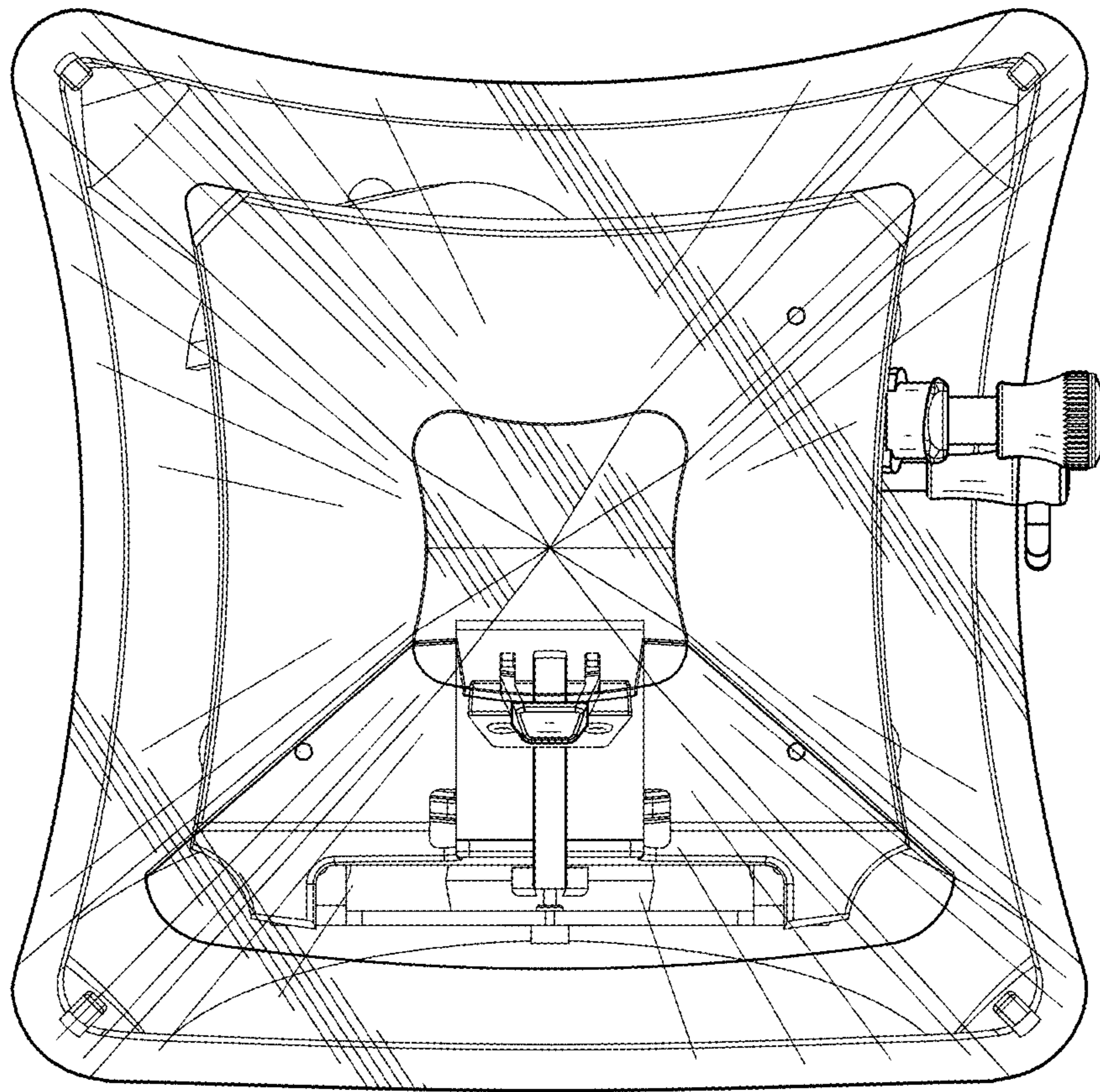


FIG. 3

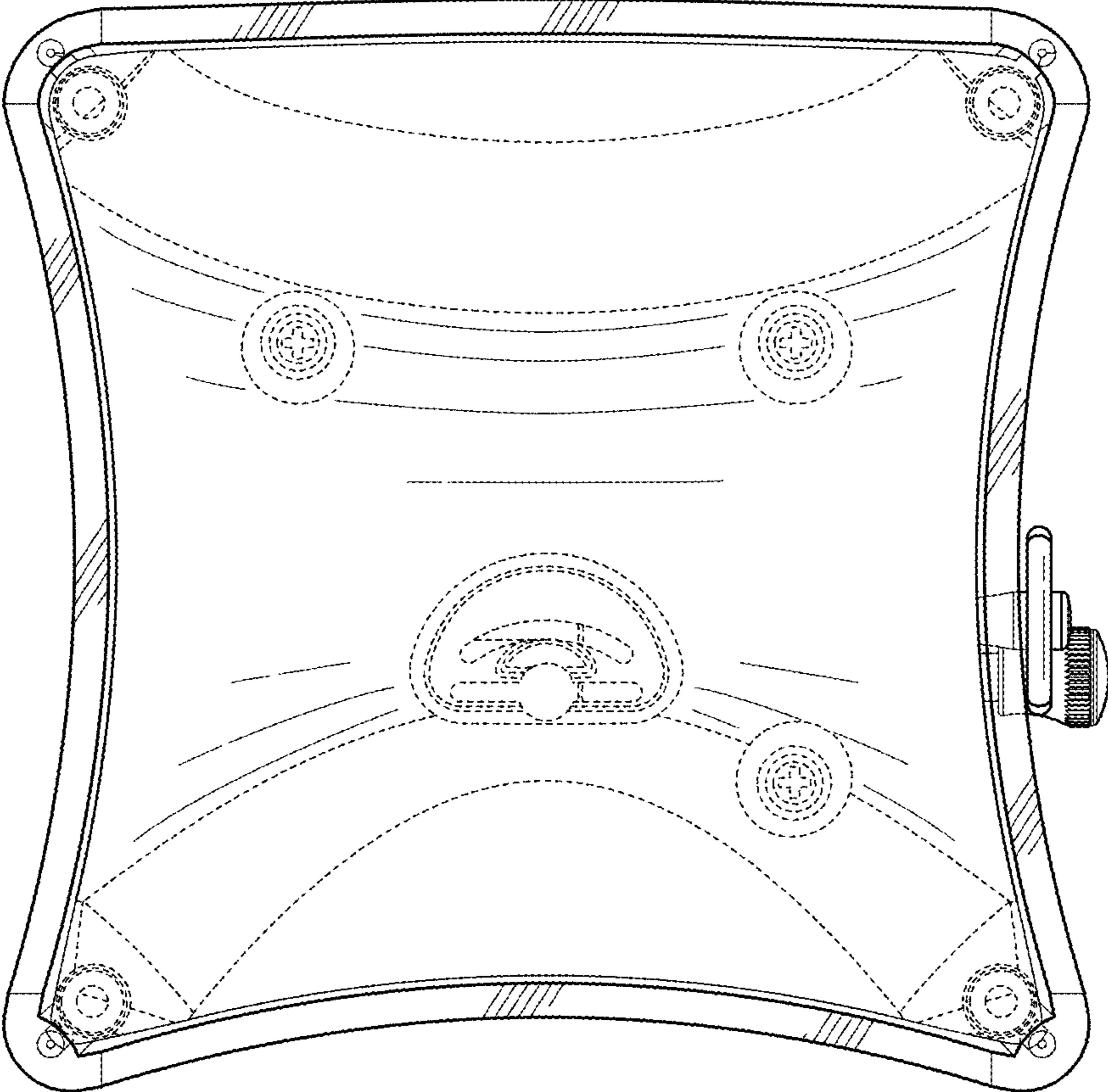


FIG. 4

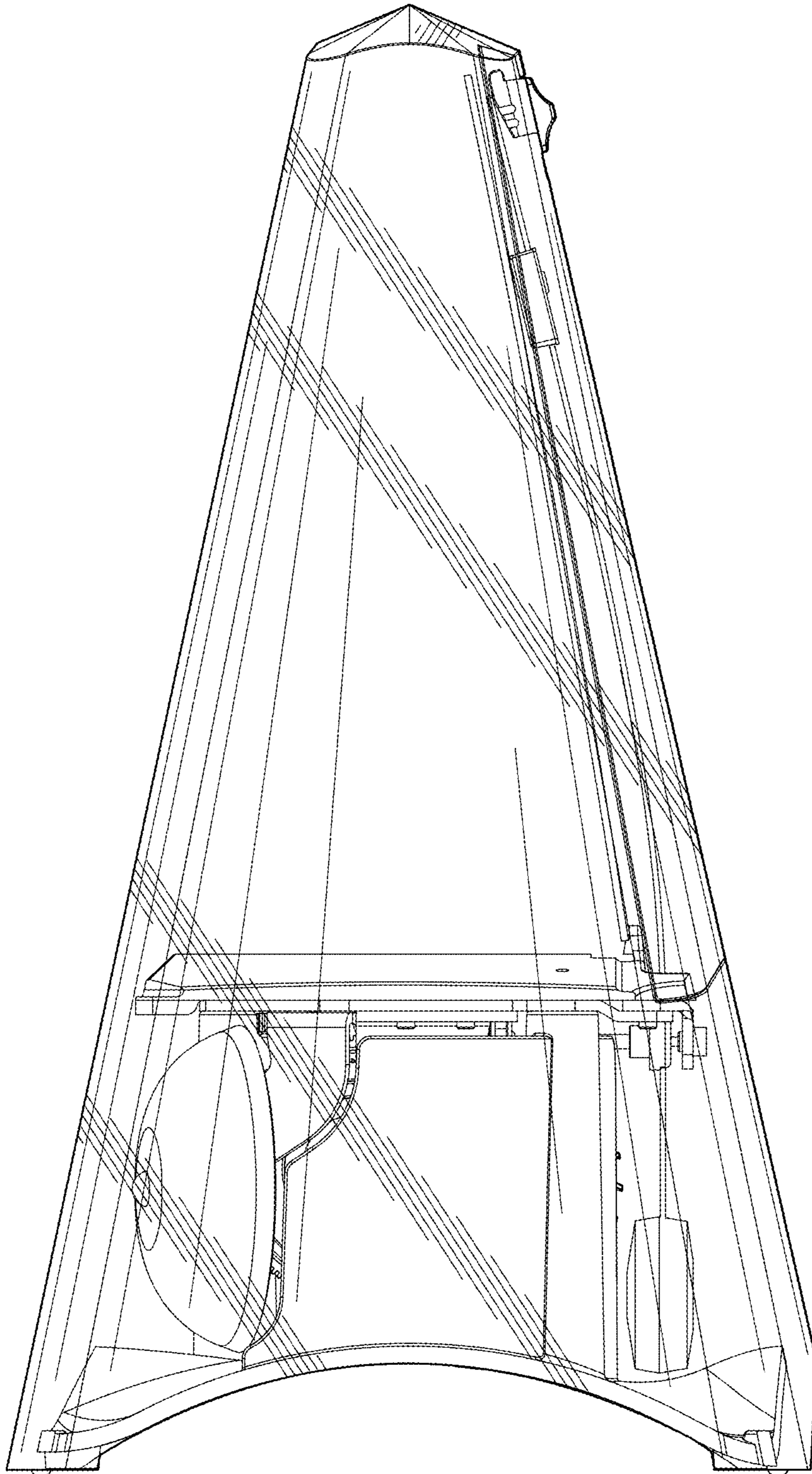


FIG. 5

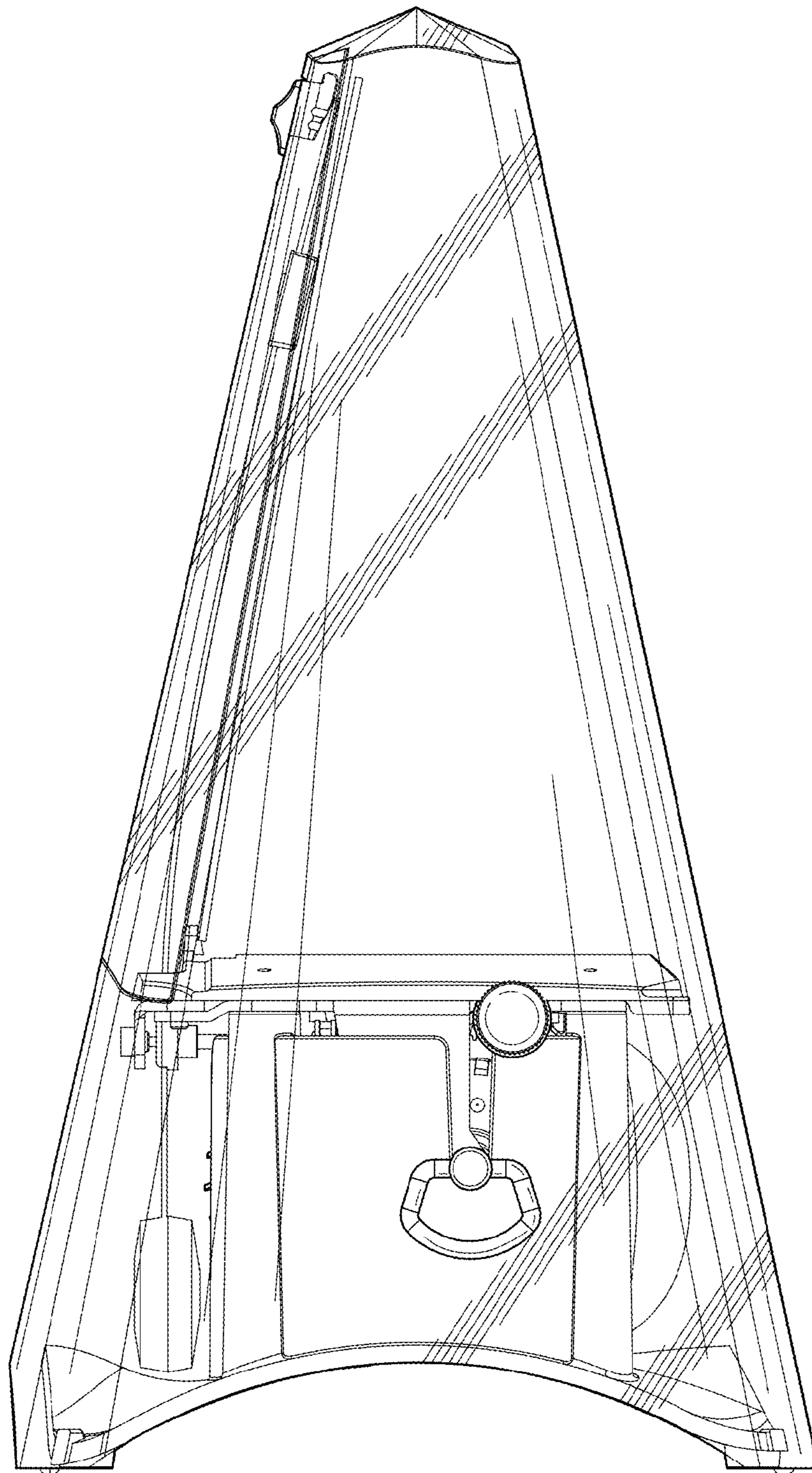


FIG. 6

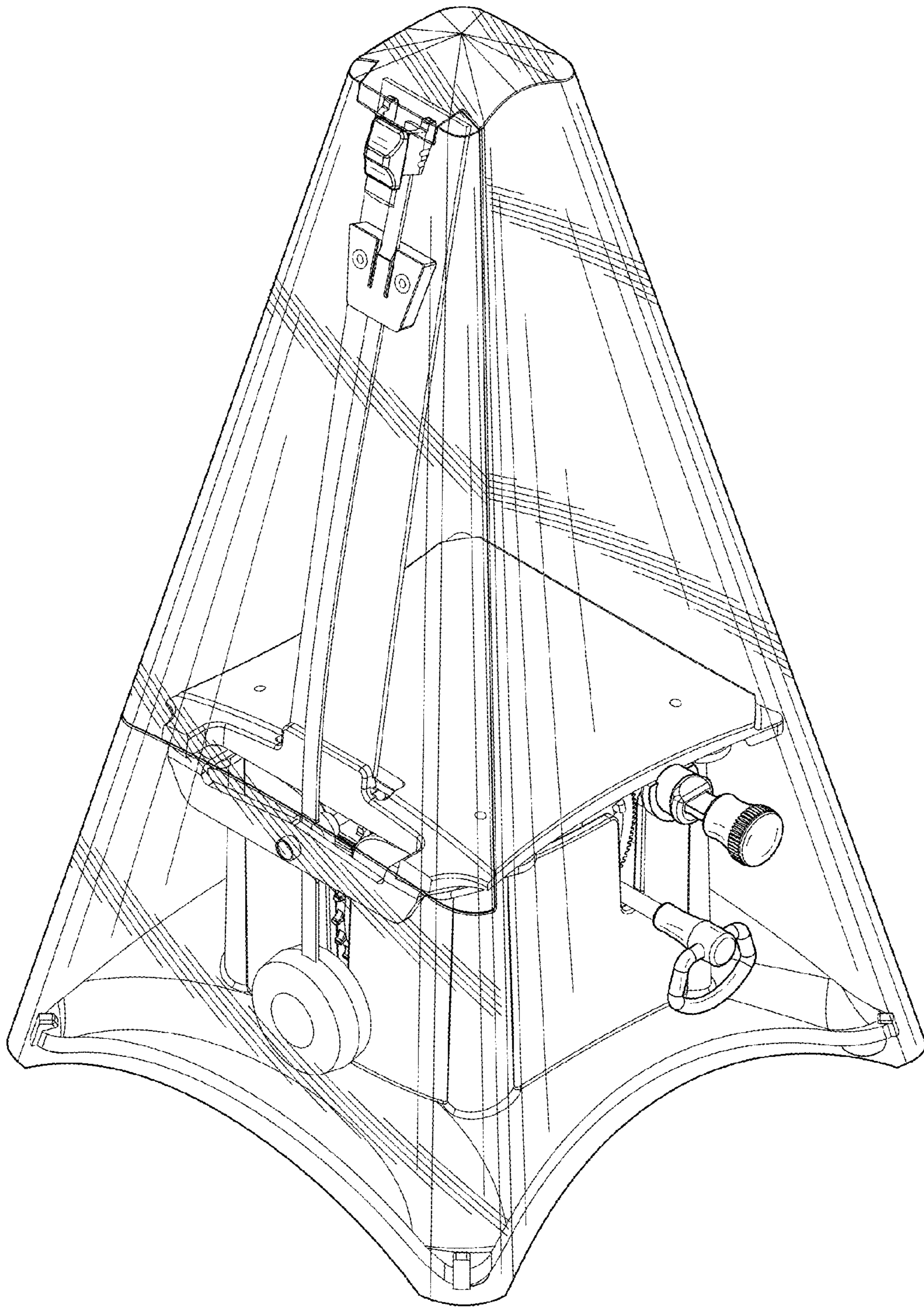


FIG. 7