



US00D751423S

(12) **United States Design Patent**
Baldwin et al.

(10) **Patent No.:** **US D751,423 S**
(45) **Date of Patent:** **** Mar. 15, 2016**

(54) **ENCLOSURE FOR A TIMER**

(71) Applicant: **Reliance Controls Corporation,**
Racine, WI (US)

(72) Inventors: **Jeffrey P. Baldwin,** Phoenix, AZ (US);
Philip B. Baldwin, Glendale, AZ (US);
John Klein, Gilbert, AZ (US)

(73) Assignee: **Reliance Controls Corporation,**
Racine, WI (US)

(**) Term: **14 Years**

(21) Appl. No.: **29/513,310**

(22) Filed: **Dec. 30, 2014**

Related U.S. Application Data

(63) Continuation-in-part of application No. 29/457,072,
filed on Jun. 6, 2013, now abandoned.

(51) **LOC (10) Cl.** **10-03**

(52) **U.S. Cl.**
USPC **D10/40**

(58) **Field of Classification Search**
USPC D10/40, 30-39, 1-29, 122-132;
D13/162, 162.1
CPC ... A01G 25/16; A01G 25/162; A01G 25/165;
A01G 25/167; G05B 13/00; G05B 13/02;
G04F 1/00; G04F 1/005; G04G 15/00; G04G
17/00; G04G 17/08; H02G 3/08; H02G 3/088;
H01R 13/52; H01R 13/5213
See application file for complete search history.

(56) **References Cited**

U.S. PATENT DOCUMENTS

2,677,732 A	5/1954	Miller	
D270,715 S	9/1983	Perethian	
4,766,331 A	8/1988	Flegel et al.	
D310,338 S	9/1990	Cureton	
5,266,841 A	11/1993	Flegel	
5,479,338 A *	12/1995	Ericksen A01G 25/16

				137/624.2
D406,775 S	3/1999	Kadono		
6,121,889 A	9/2000	Janda et al.		
6,259,955 B1	7/2001	Brundisini et al.		
6,402,049 B1 *	6/2002	Youngs, Jr.	A01G 25/165 239/69
6,519,208 B2 *	2/2003	DeVries	G04G 15/00 174/50
D492,264 S	6/2004	Perez et al.		
D511,979 S	11/2005	Echito et al.		
7,077,281 B2	7/2006	Sato et al.		
D535,571 S	1/2007	Simon et al.		
D546,772 S	7/2007	Venegas et al.		
7,244,900 B1	7/2007	Gray, Jr.		
7,317,969 B2 *	1/2008	Lorton	A01K 29/00 340/10.41
7,326,853 B2	2/2008	Fontana et al.		
7,412,303 B1 *	8/2008	Porter	A01G 25/167 239/69

(Continued)

Primary Examiner — Martie K Holtje

(74) *Attorney, Agent, or Firm* — Boyle Fredrickson, S.C.

(57) **CLAIM**

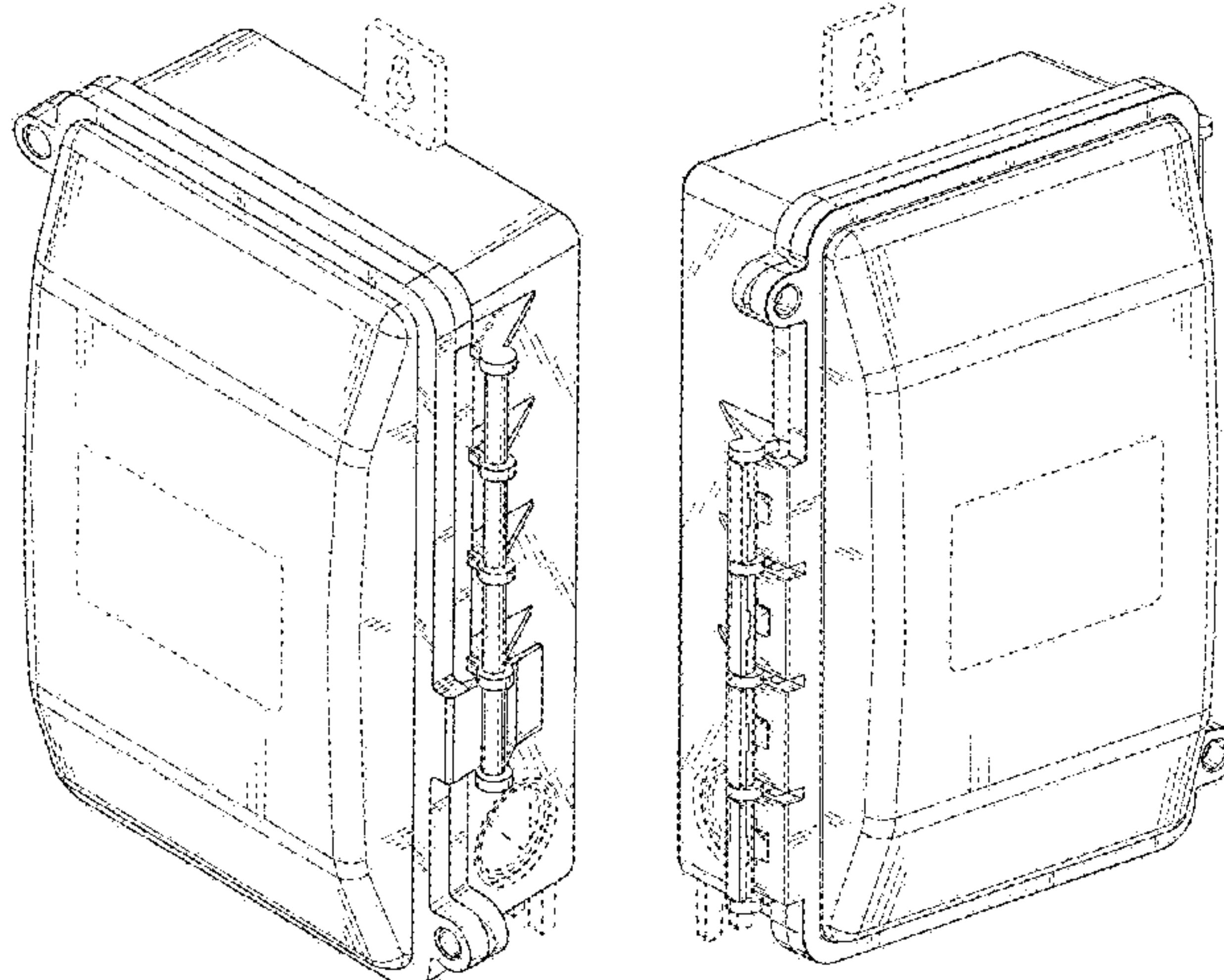
The ornamental design for an enclosure for a timer, as shown and described.

DESCRIPTION

FIG. 1 is a right front isometric view of an enclosure for a timer showing our new design;
FIG. 2 is a left front isometric view thereof;
FIG. 3 is a left rear isometric view thereof;
FIG. 4 is a right rear isometric view thereof;
FIG. 5 is a front elevational view thereof;
FIG. 6 is a rear elevational view thereof;
FIG. 7 is a top plan view thereof;
FIG. 8 is a bottom plan view thereof;
FIG. 9 is a right side elevational view thereof; and,
FIG. 10 is a left side elevational view thereof.

The structural features depicted by broken lines in the drawings have been shown for the purpose of illustrating portions of the enclosure for a timer that form no part of the claimed design.

1 Claim, 9 Drawing Sheets



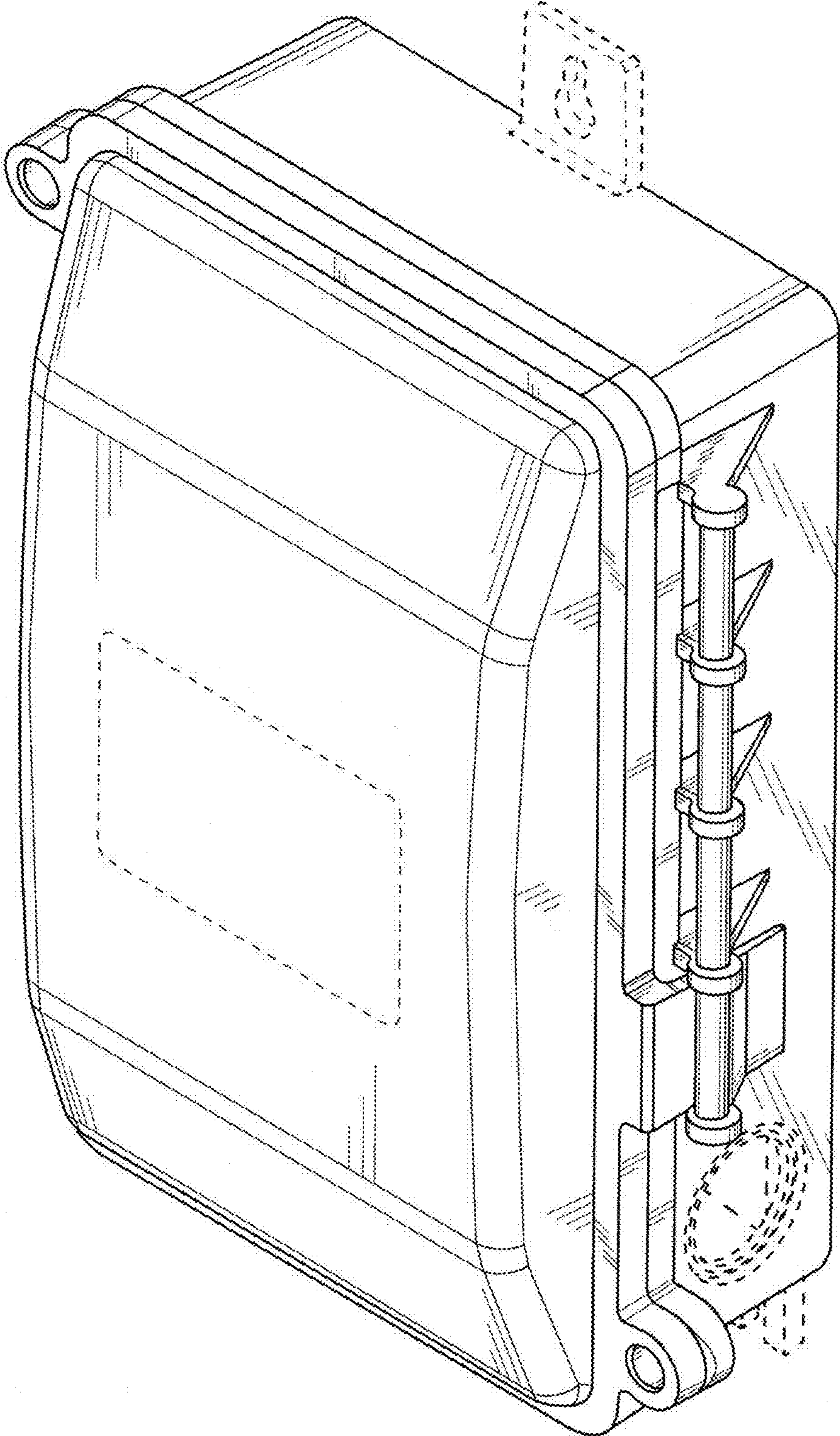


FIG. 1

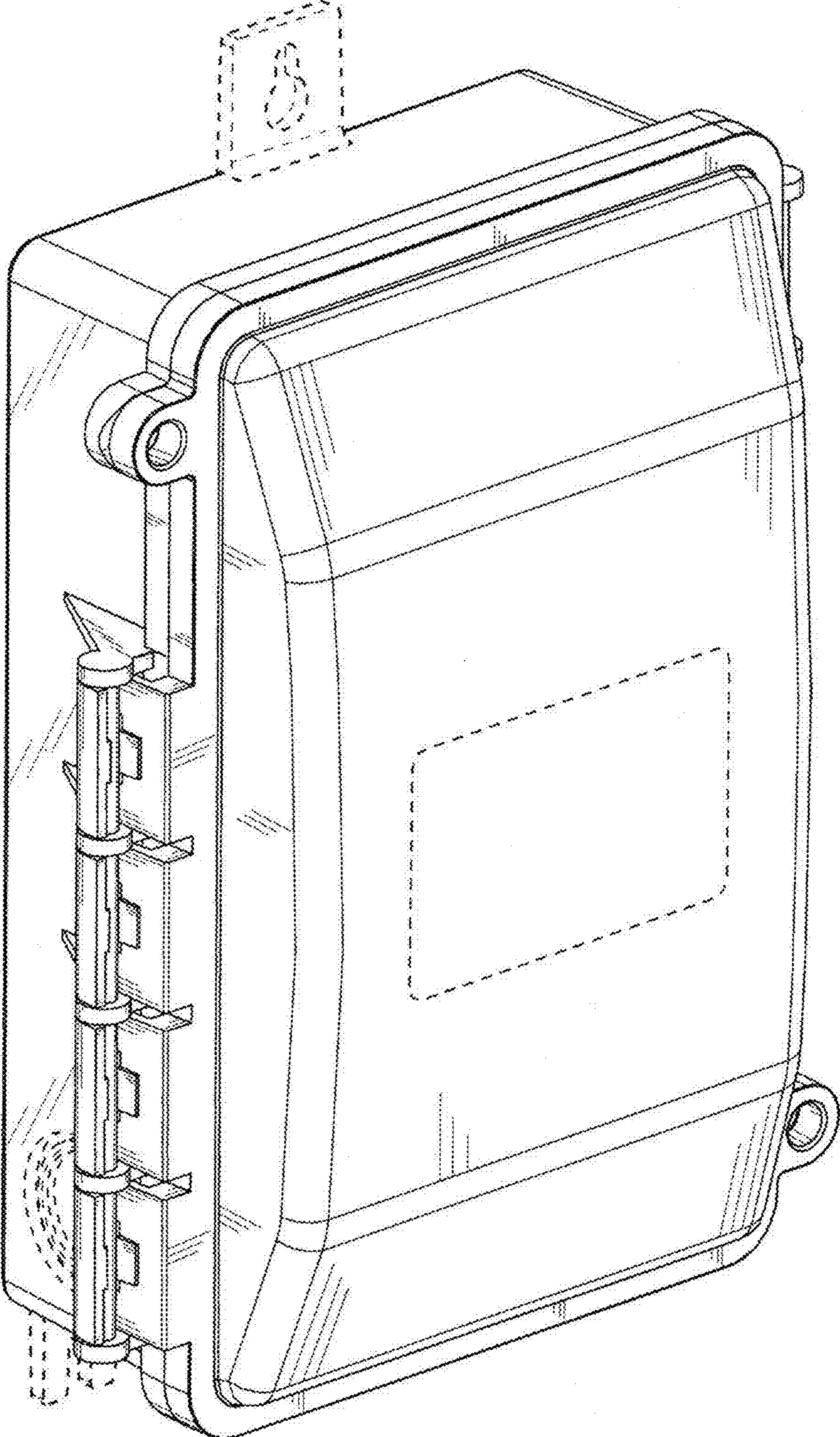


FIG. 2

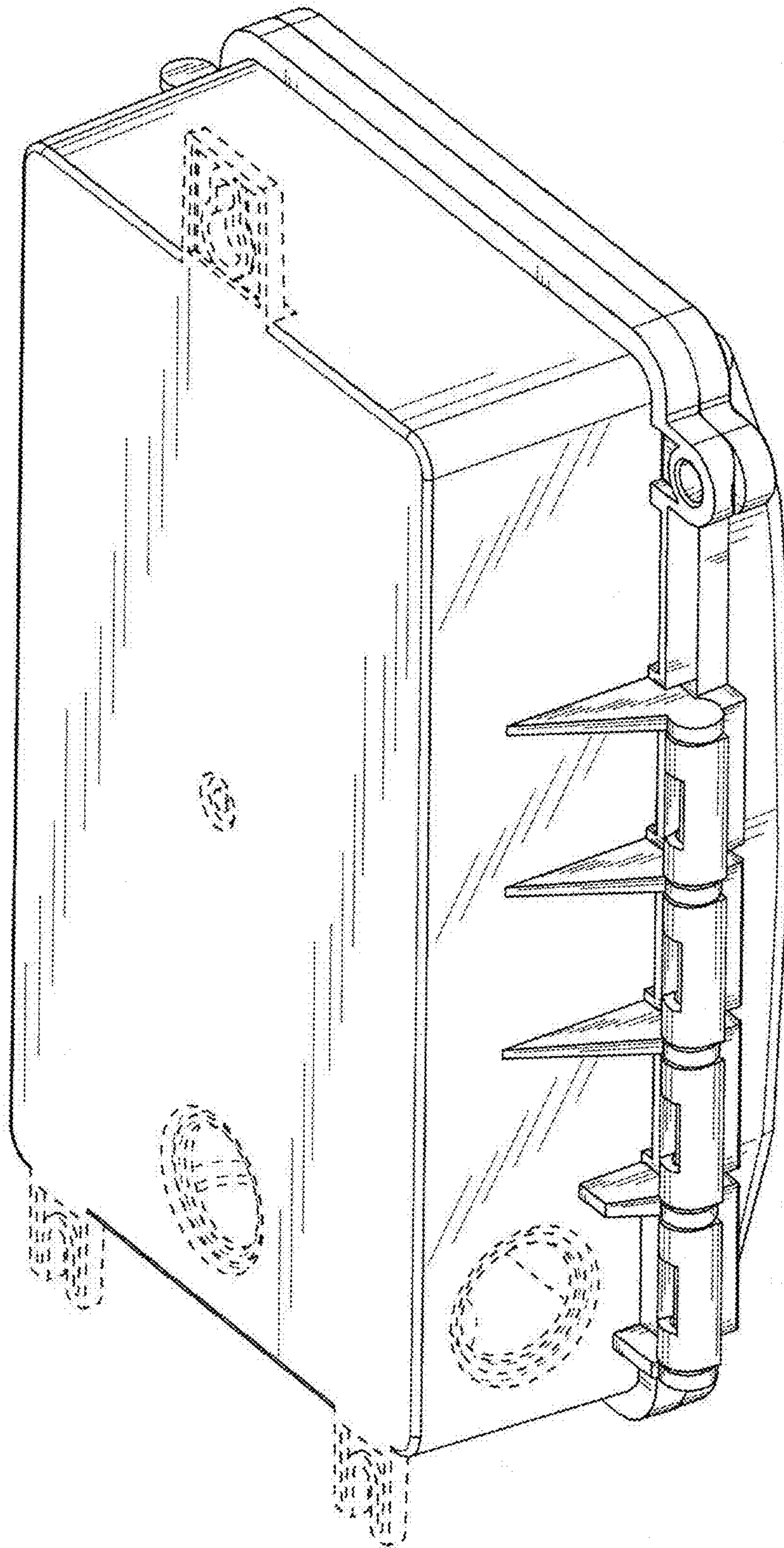


FIG. 3

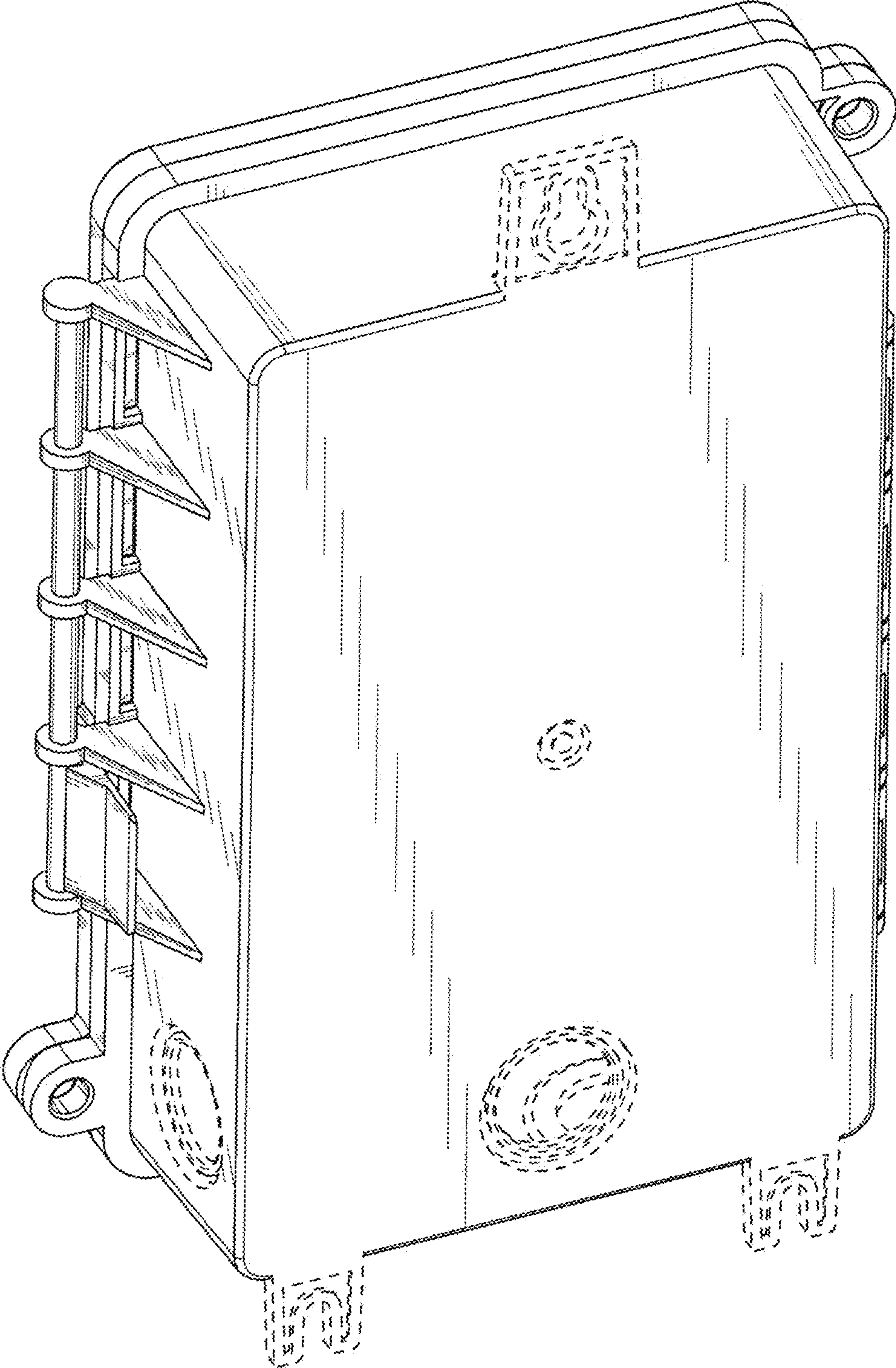


FIG. 4

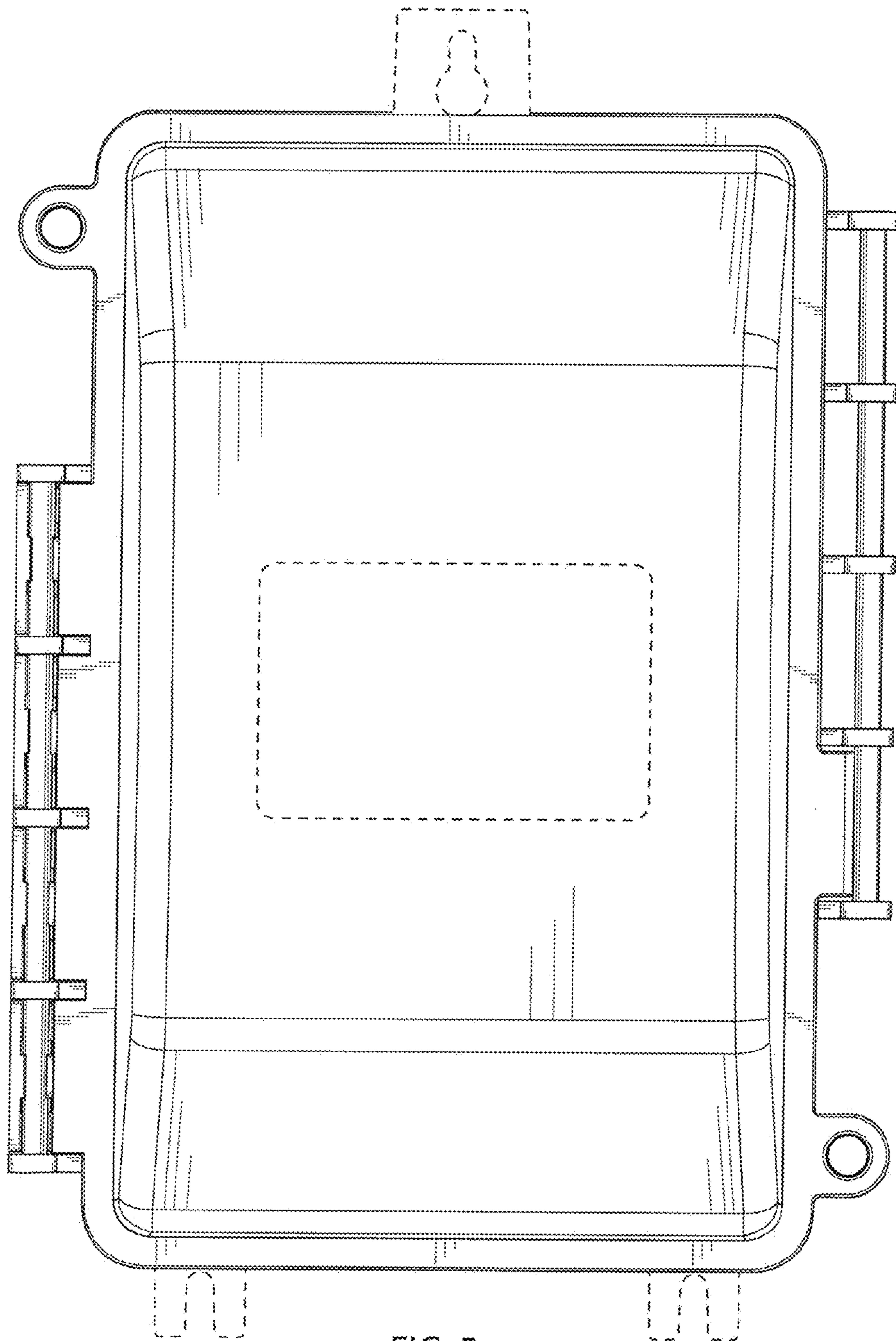


FIG. 5

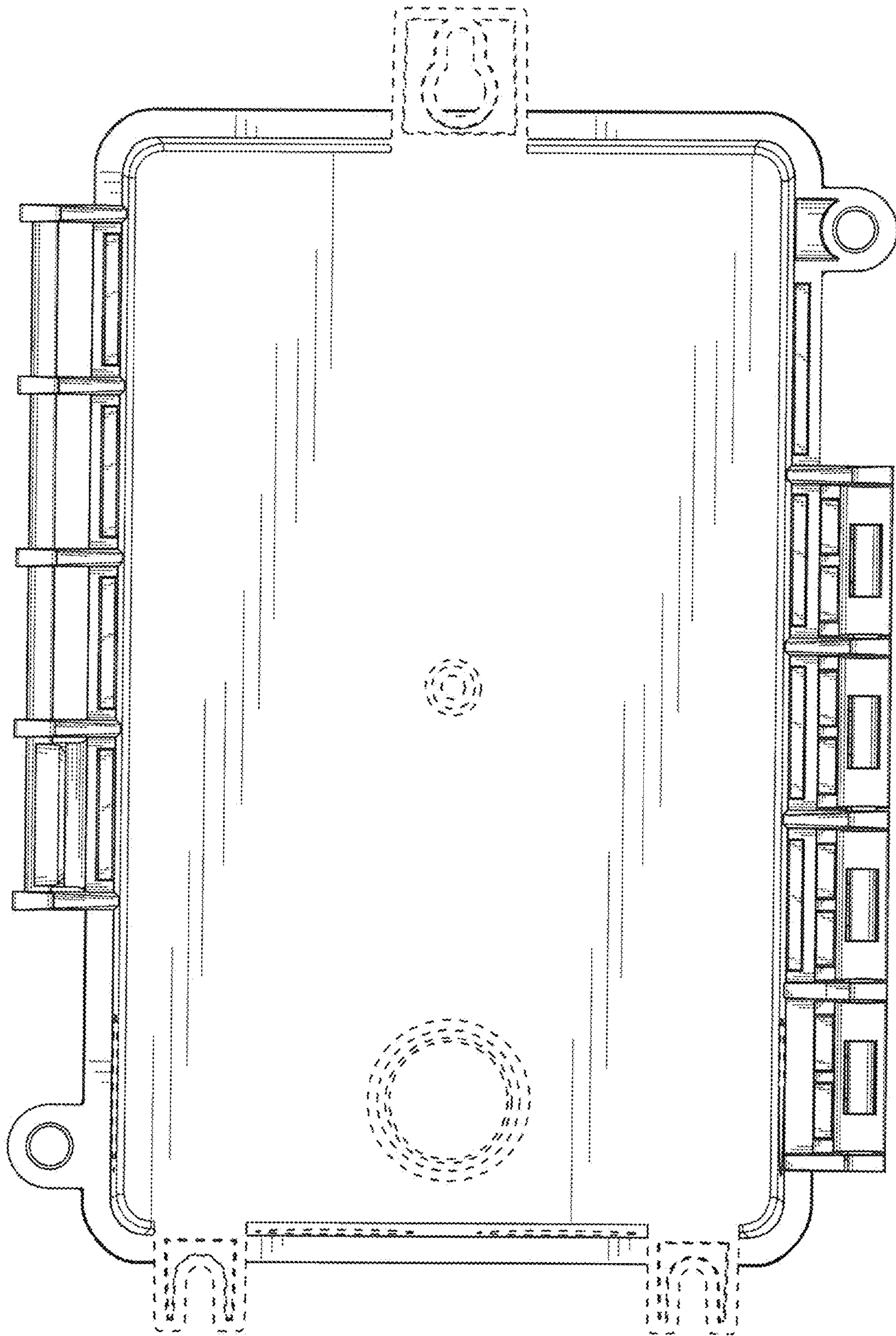


FIG. 6

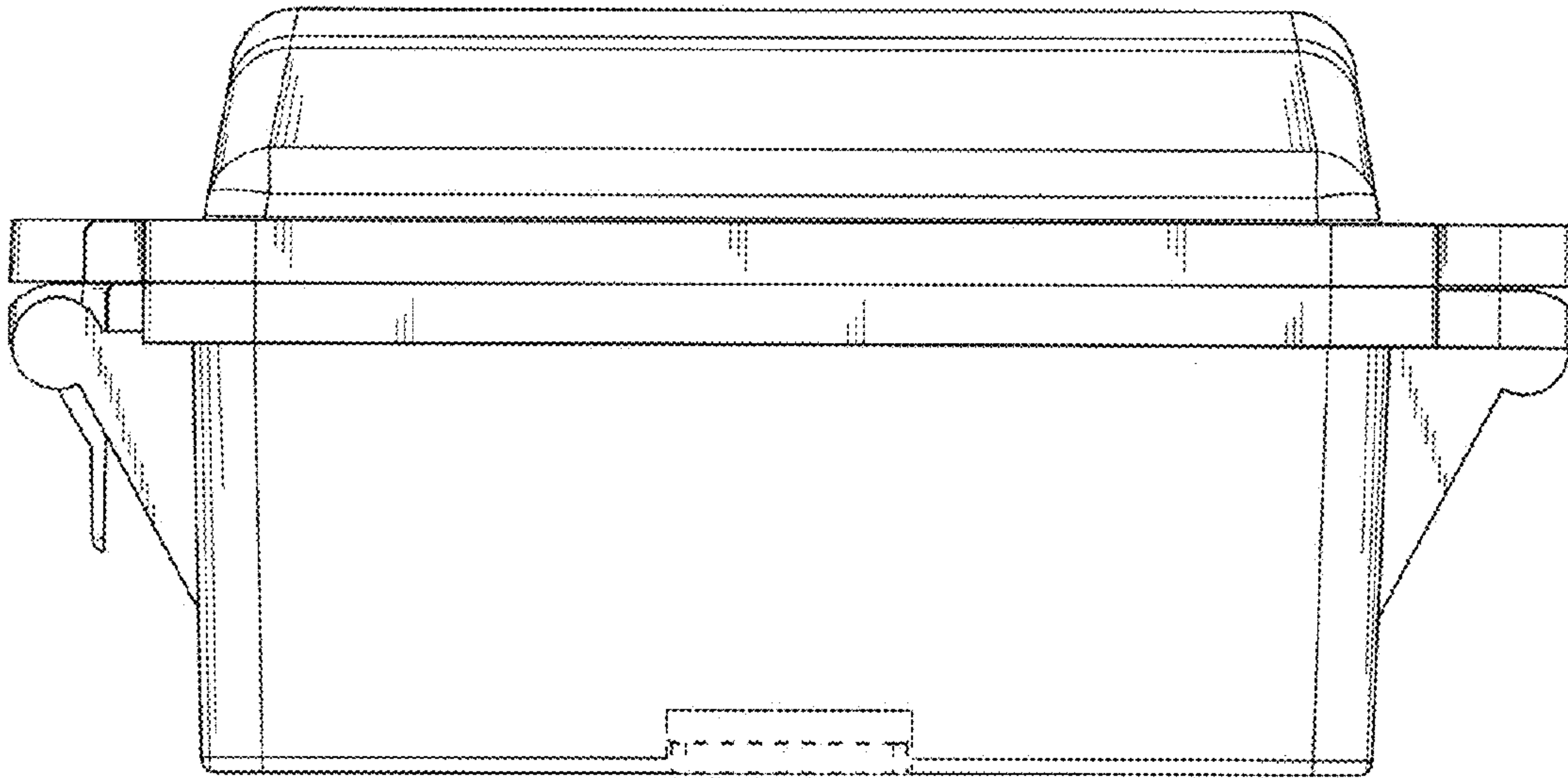


FIG. 7

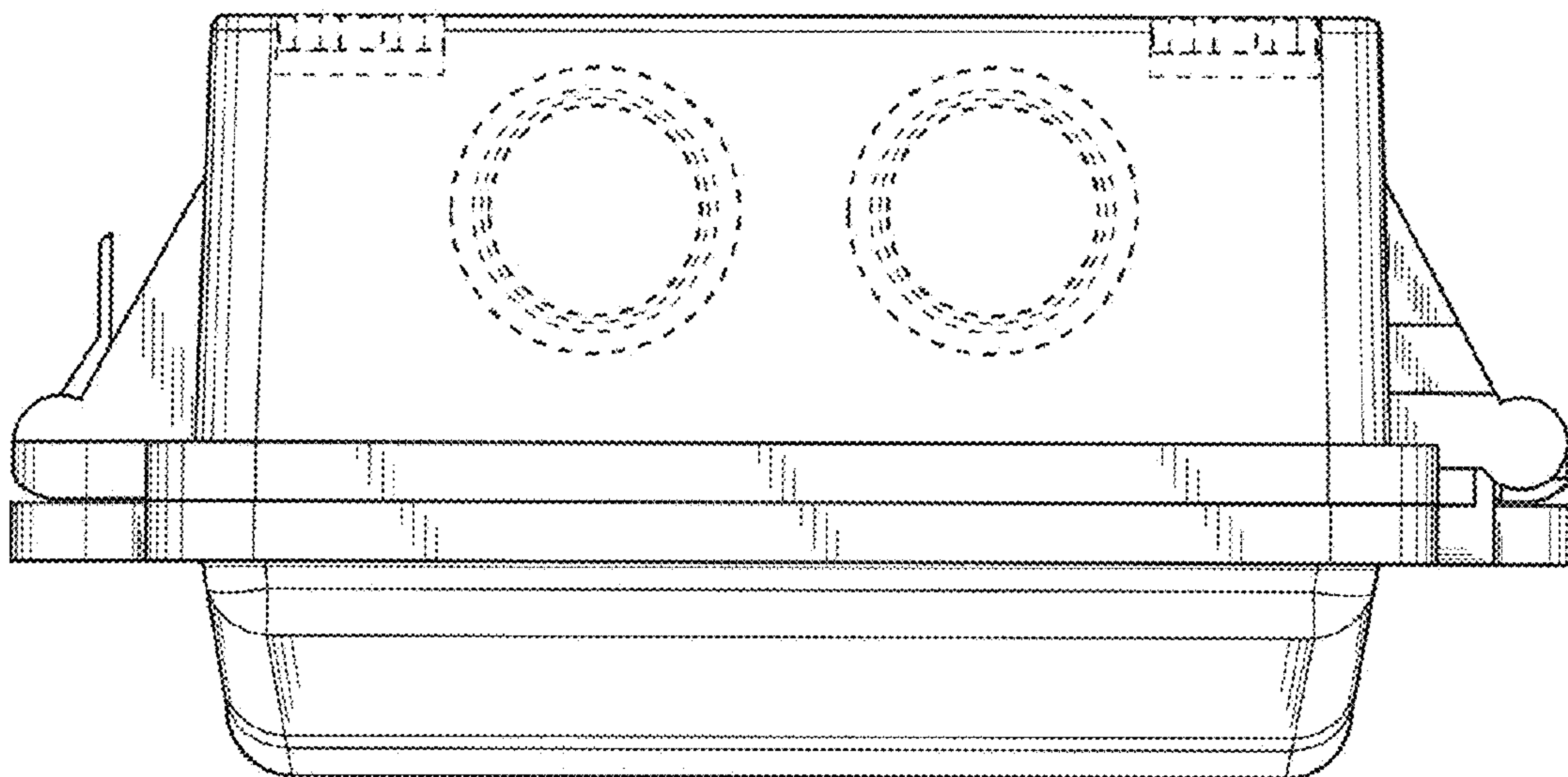


FIG. 8

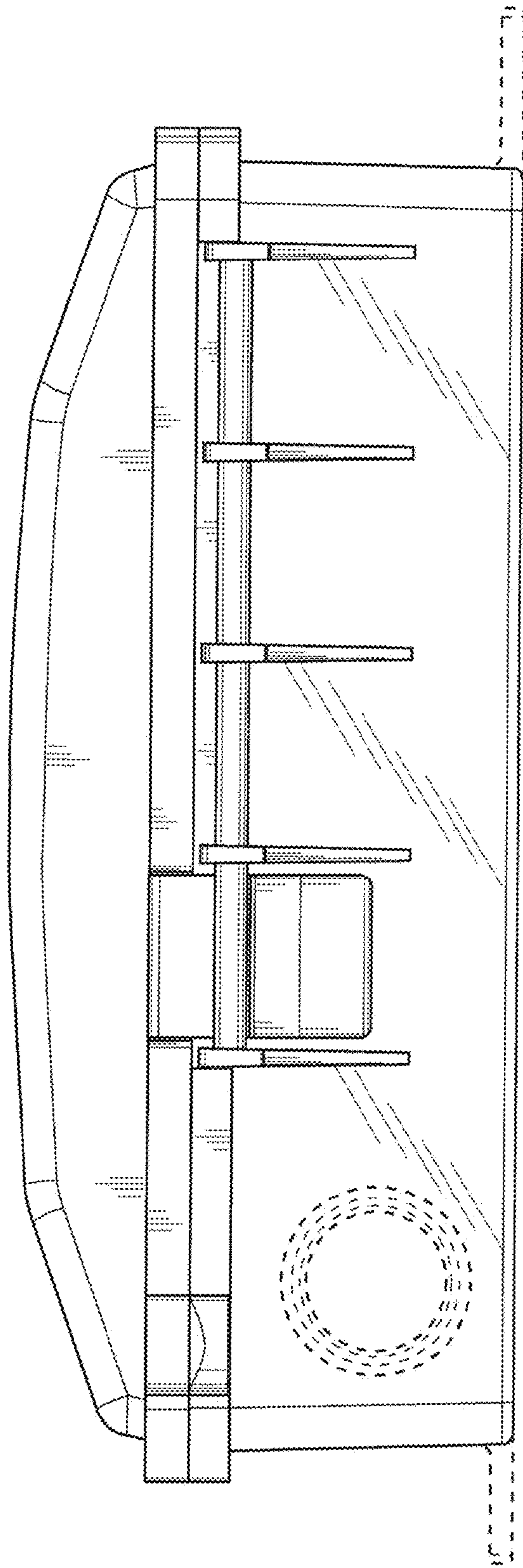


FIG. 9

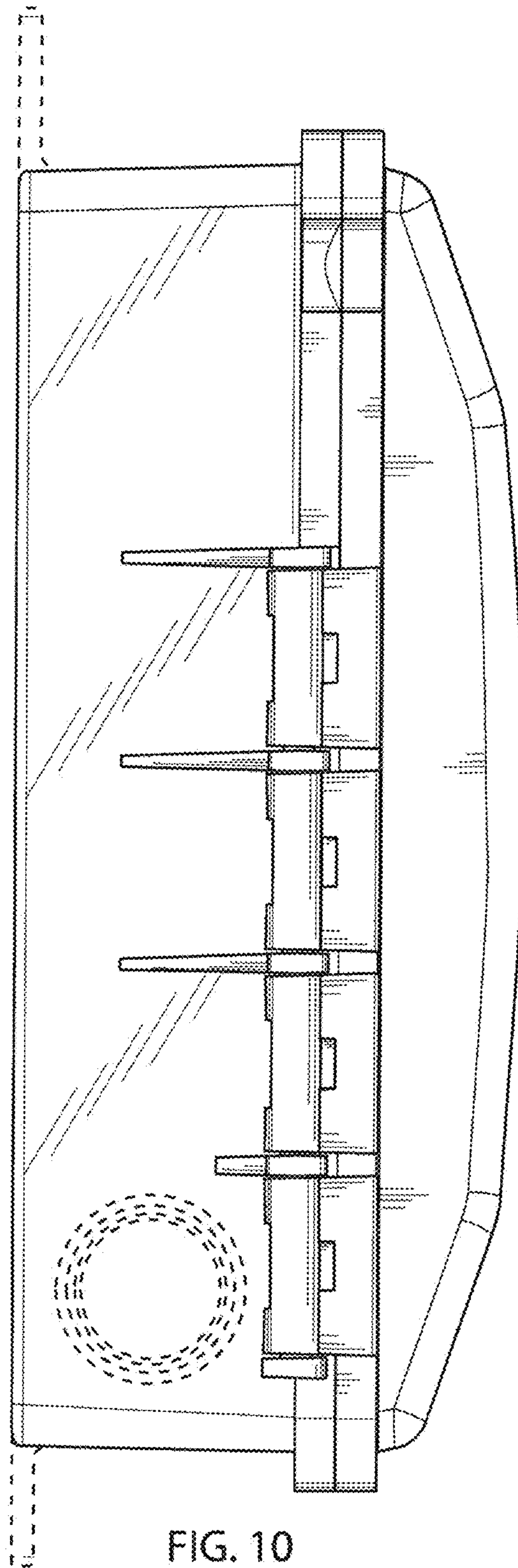


FIG. 10