



US00D751422S

(12) **United States Design Patent**  
**Mille**

(10) **Patent No.:** **US D751,422 S**  
(45) **Date of Patent:** **\*\* Mar. 15, 2016**

(54) **WATCH**

(71) Applicant: **Turlen Holding SA**, Soyhières (CH)

(72) Inventor: **Richard Mille**, Moulins (FR)

(73) Assignee: **TURLEN HOLDING SA**, Soyhières (CH)

(\*\*) Term: **14 Years**

(21) Appl. No.: **29/511,163**

(22) Filed: **Dec. 8, 2014**

(30) **Foreign Application Priority Data**

Jul. 8, 2014 (WO) ..... DM/084 017

(51) **LOC (10) Cl.** ..... **10-02**

(52) **U.S. Cl.**

USPC ..... **D10/39**; 10/34; 10/125

(58) **Field of Classification Search**

USPC ..... D10/30-39, 1-29, 122-132; D21/615

CPC ..... G04B 15/00; G04B 17/06; G04B 17/285;

G04B 19/00; G04B 19/065; G04B 37/00;

G04B 37/0008; G04B 37/225; G04B 45/00;

G04B 45/02; G04C 17/00; G04C 17/005

See application file for complete search history.

(56) **References Cited**

**U.S. PATENT DOCUMENTS**

D75,019 S \* 5/1928 Fisher ..... D12/199

4,376,996 A \* 3/1983 Wuthrich ..... G04C 17/005

368/220

4,472,068 A \* 9/1984 Sedlak ..... G04C 17/005

368/221

4,534,660 A \* 8/1985 Laesser ..... G04B 29/02

D456,274 S *	4/2002	Mille	.....	D10/30	368/220
D530,229 S *	10/2006	Wunderman	.....	D10/32	
D536,748 S *	2/2007	Chuang	.....	D21/572	
D545,695 S *	7/2007	Laucella	.....	D10/31	
D570,710 S *	6/2008	Wong	.....	D10/30	
D640,572 S *	6/2011	Calce	.....	D10/32	
D650,450 S *	12/2011	BisCamp	.....	D21/538	
D658,514 S *	5/2012	Mille	.....	D10/39	
D658,515 S *	5/2012	Mille	.....	D10/39	
D658,516 S *	5/2012	Mille	.....	D10/39	
D660,184 S *	5/2012	Calce	.....	D10/32	
D661,602 S *	6/2012	Calce	.....	D10/32	
D664,047 S *	7/2012	Mille	.....	D10/39	
D673,868 S *	1/2013	Mille	.....	D10/39	
D689,378 S *	9/2013	Mille	.....	D10/34	

\* cited by examiner

*Primary Examiner* — Martie K Holtje

(74) *Attorney, Agent, or Firm* — Donald J. Ranft; Kristen A. Mogavero; Collen IP

(57) **CLAIM**

The ornamental design for a watch, as shown.

**DESCRIPTION**

FIG. 1 is a front right perspective view of a watch showing my new design;

FIG. 2 is a front left perspective view thereof;

FIG. 3 is a front view thereof;

FIG. 4 is a rear view thereof;

FIG. 5 is a left side view thereof;

FIG. 6 is a right side view thereof;

FIG. 7 is a top view thereof;

FIG. 8 is a bottom view thereof;

FIG. 9 is a rear right perspective view thereof; and,

FIG. 10 is a rear left perspective view thereof.

**1 Claim, 8 Drawing Sheets**



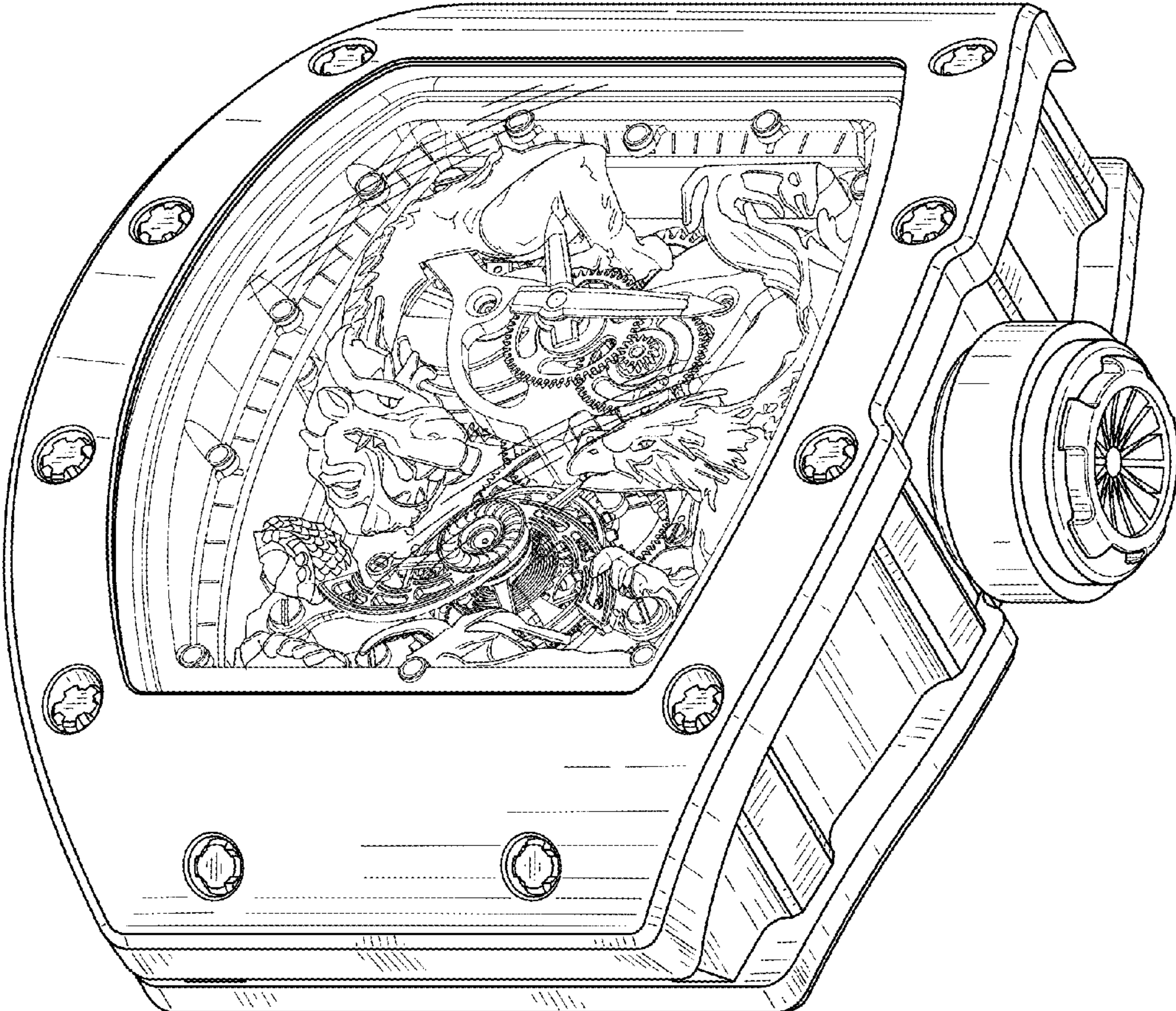


FIG. 1

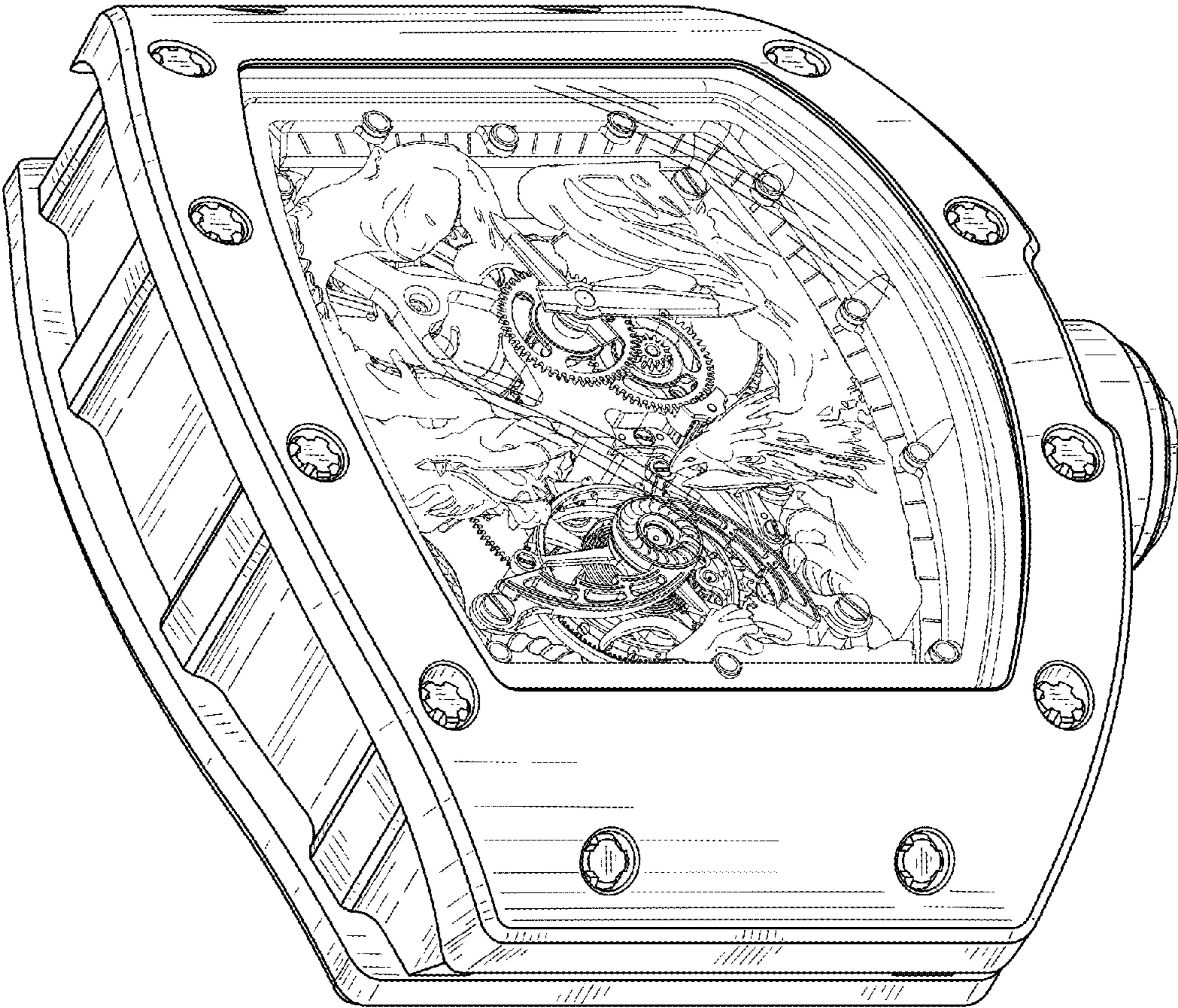


FIG. 2



FIG. 3

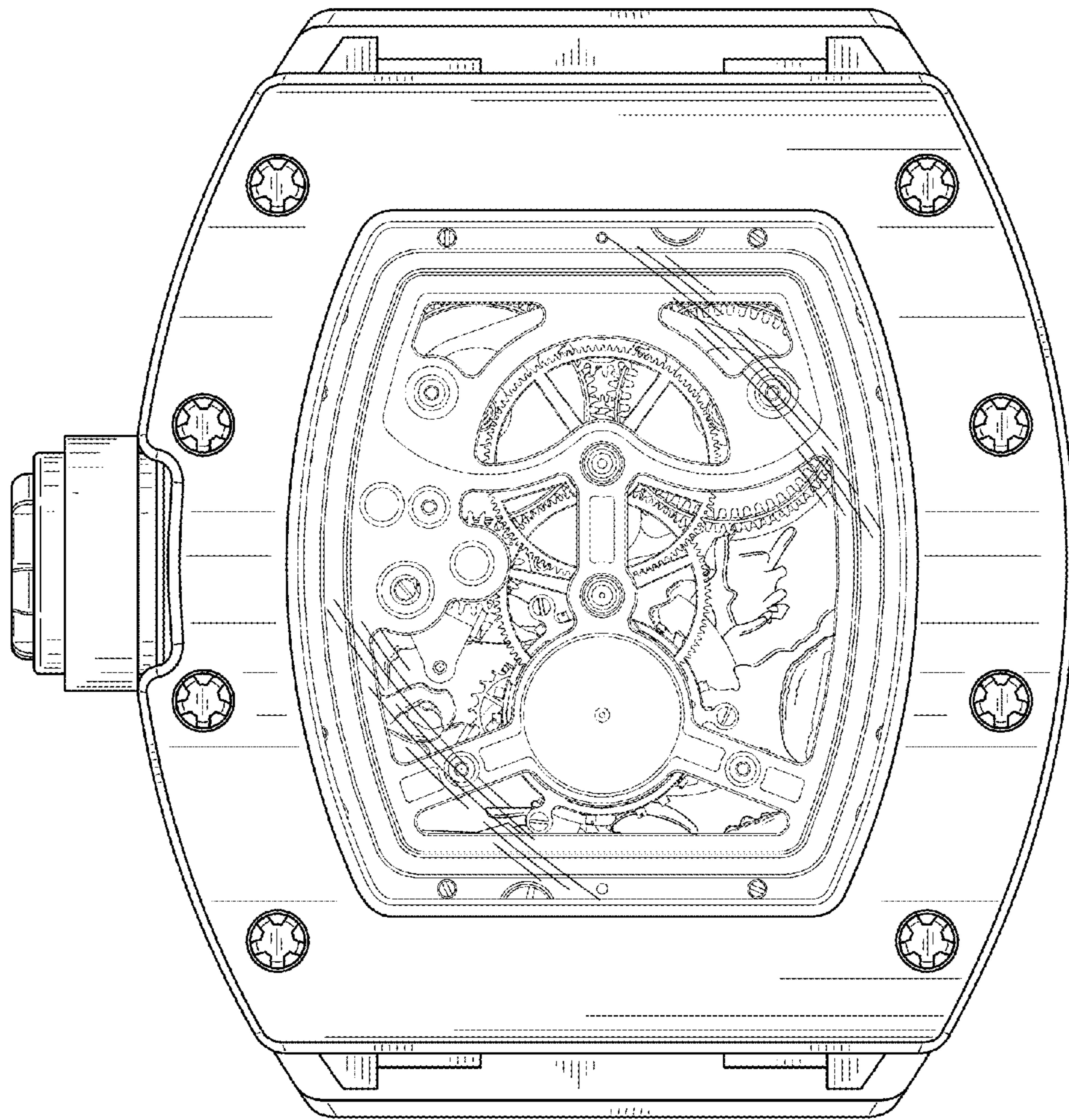


FIG. 4

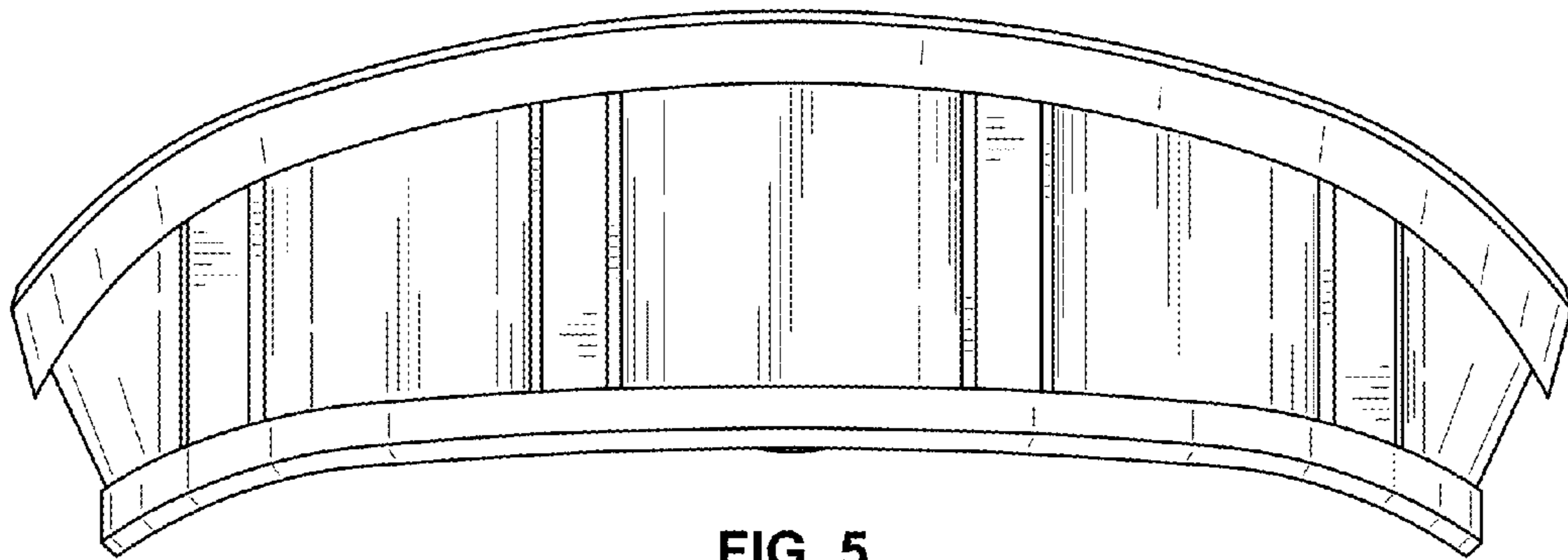


FIG. 5

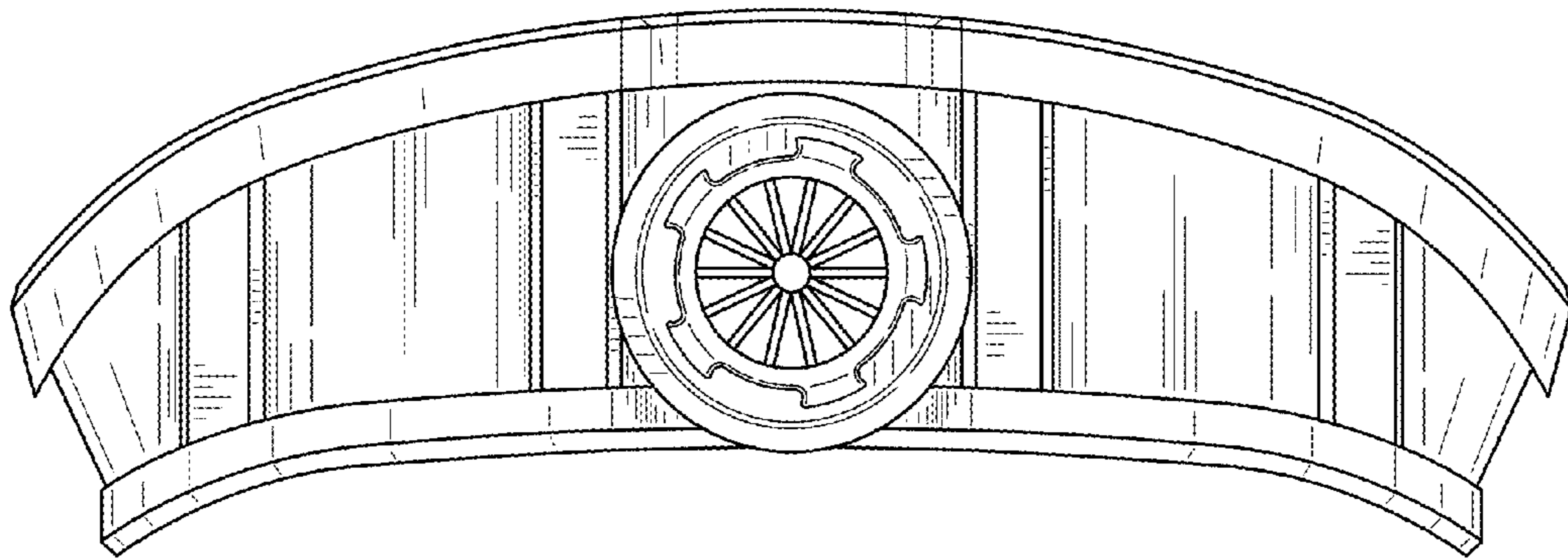


FIG. 6

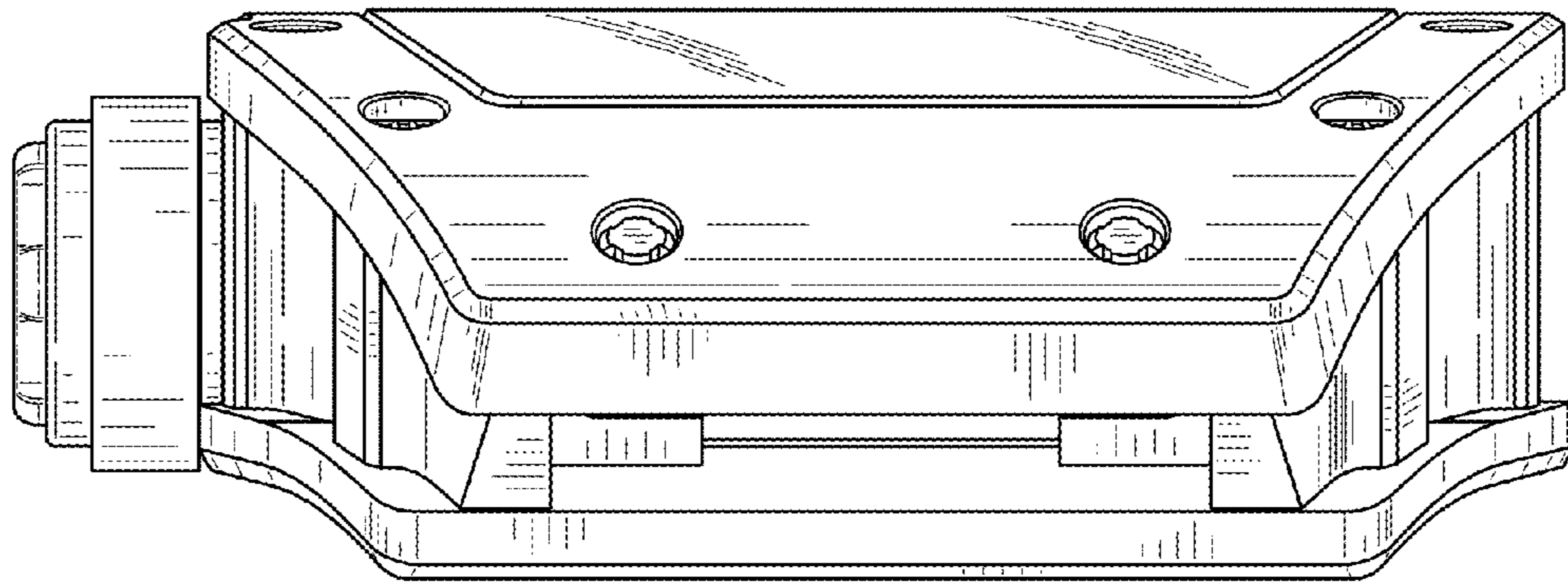


FIG. 7

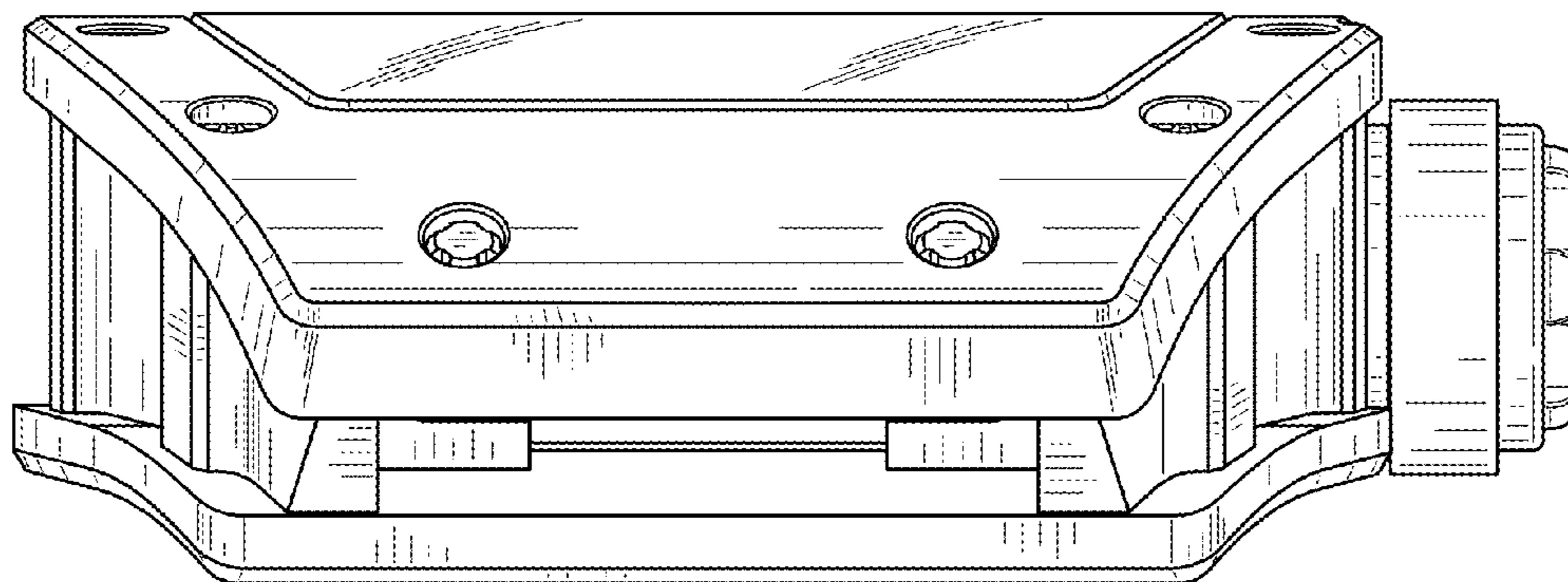


FIG. 8

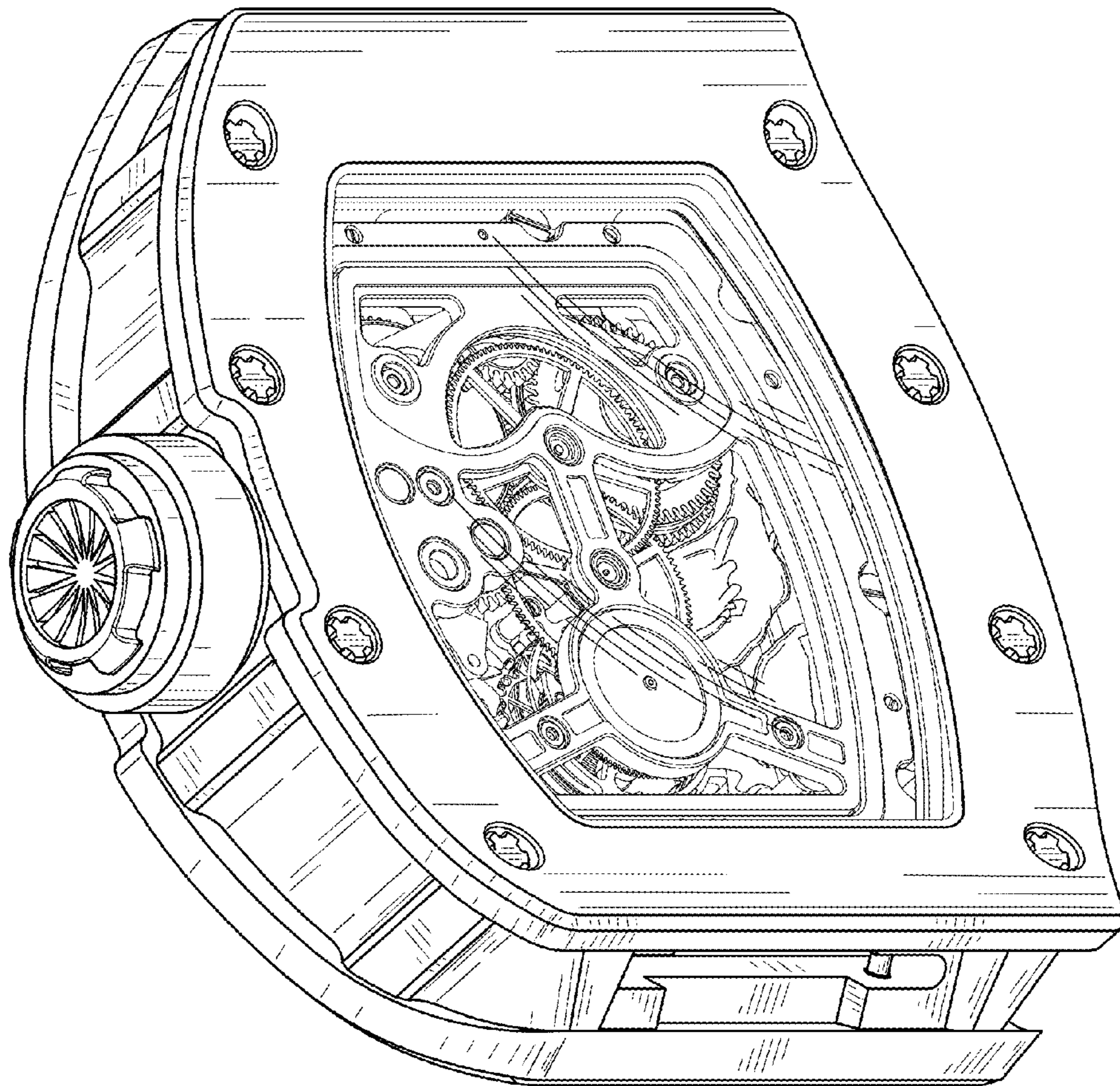


FIG. 9



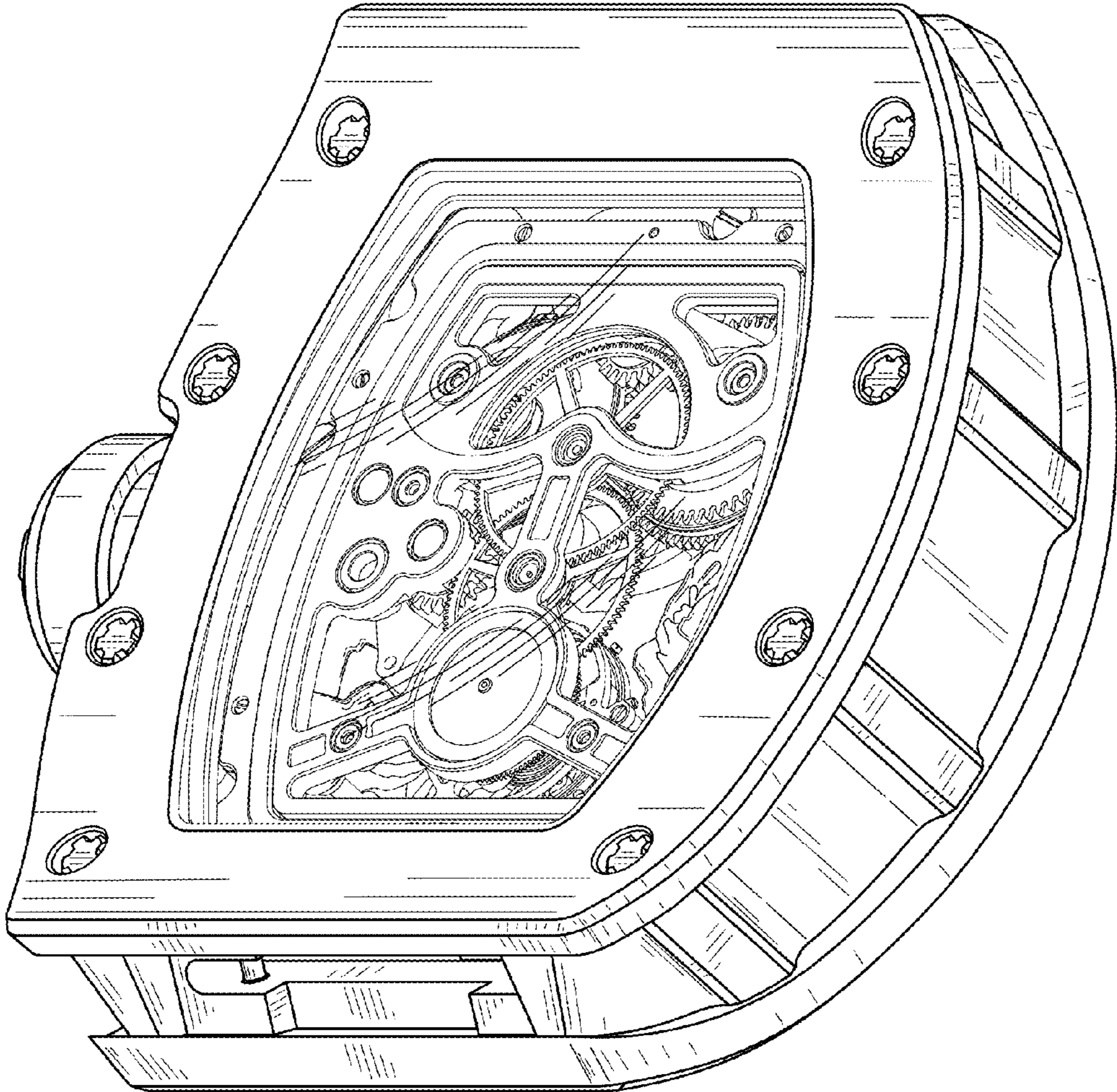


FIG. 10