



US00D751421S

(12) **United States Design Patent**
Perret et al.

(10) **Patent No.:** **US D751,421 S**
(45) **Date of Patent:** **** Mar. 15, 2016**

(54) **WRIST WATCH**

(71) Applicant: **HYT SA**, Bienne (CH)

(72) Inventors: **Sébastien Perret**, Bôle (CH); **Lucien Vouillamoz**, Feusisberg (CH)

(73) Assignee: **HYT SA**, Bienne (CH)

(**) Term: **14 Years**

(21) Appl. No.: **29/487,864**

(22) Filed: **Apr. 14, 2014**

Related U.S. Application Data

(62) Division of application No. 29/449,342, filed on Mar. 15, 2013, now abandoned.

(51) **LOC (10) Cl.** **10-02**

(52) **U.S. Cl.**
USPC **D10/39; D10/126**

(58) **Field of Classification Search**
USPC D10/30-39, 1-29, 122-132
CPC G04B 15/00; G04B 15/02; G04B 15/06;
G04B 15/14; G04B 19/00; G04B 19/04;
G04B 19/10; G04B 19/12; G04B 19/28;
G04B 37/00; G04B 37/0008; G04B 45/00;
G04B 45/0069; G04B 45/0076; G04B 45/02;
G04B 1/00; G04B 1/26; G04C 3/00; G04C
3/04; G04C 3/042

See application file for complete search history.

(56) **References Cited**

U.S. PATENT DOCUMENTS

910,373 A * 1/1909 Hahl 368/54
999,779 A * 8/1911 Hahl 368/54

1,933,842 A * 11/1933 Butticaz 368/161
2,749,700 A * 6/1956 Seligman 368/65
3,315,462 A * 4/1967 Bosquet 368/11
3,475,902 A * 11/1969 Wessel 368/10
D505,342 S * 5/2005 Hayek D10/39
D538,184 S * 3/2007 Scheufele D10/39
D567,117 S * 4/2008 Metrailler D10/38
D570,231 S * 6/2008 Actis-Datta D10/38
D648,639 S * 11/2011 Mille D10/39
2012/0147713 A1 * 6/2012 Vouillamoz 368/223

* cited by examiner

Primary Examiner — Martie K Holtje

(74) *Attorney, Agent, or Firm* — Da Vinci Partners LLC;
John Moetteli

(57) **CLAIM**

The ornamental design for a wrist watch, as shown and described.

DESCRIPTION

FIG. 1 is a top plan view of a wrist watch showing our new design;
FIG. 2 is a front elevational view thereof;
FIG. 3 is a rear elevational view thereof;
FIG. 4 is a left side elevational view thereof;
FIG. 5 is a right side elevational view thereof;
FIG. 6 is a bottom plan view thereof;
FIG. 7 is a top right side perspective view thereof;
FIG. 8 is a top, right front perspective view thereof;
FIG. 9 is a top front perspective view thereof;
FIG. 10 is a bottom right rear perspective view thereof;
FIG. 11 is a bottom, right front perspective view thereof; and,
FIG. 12 is a bottom left side perspective view thereof.

1 Claim, 10 Drawing Sheets

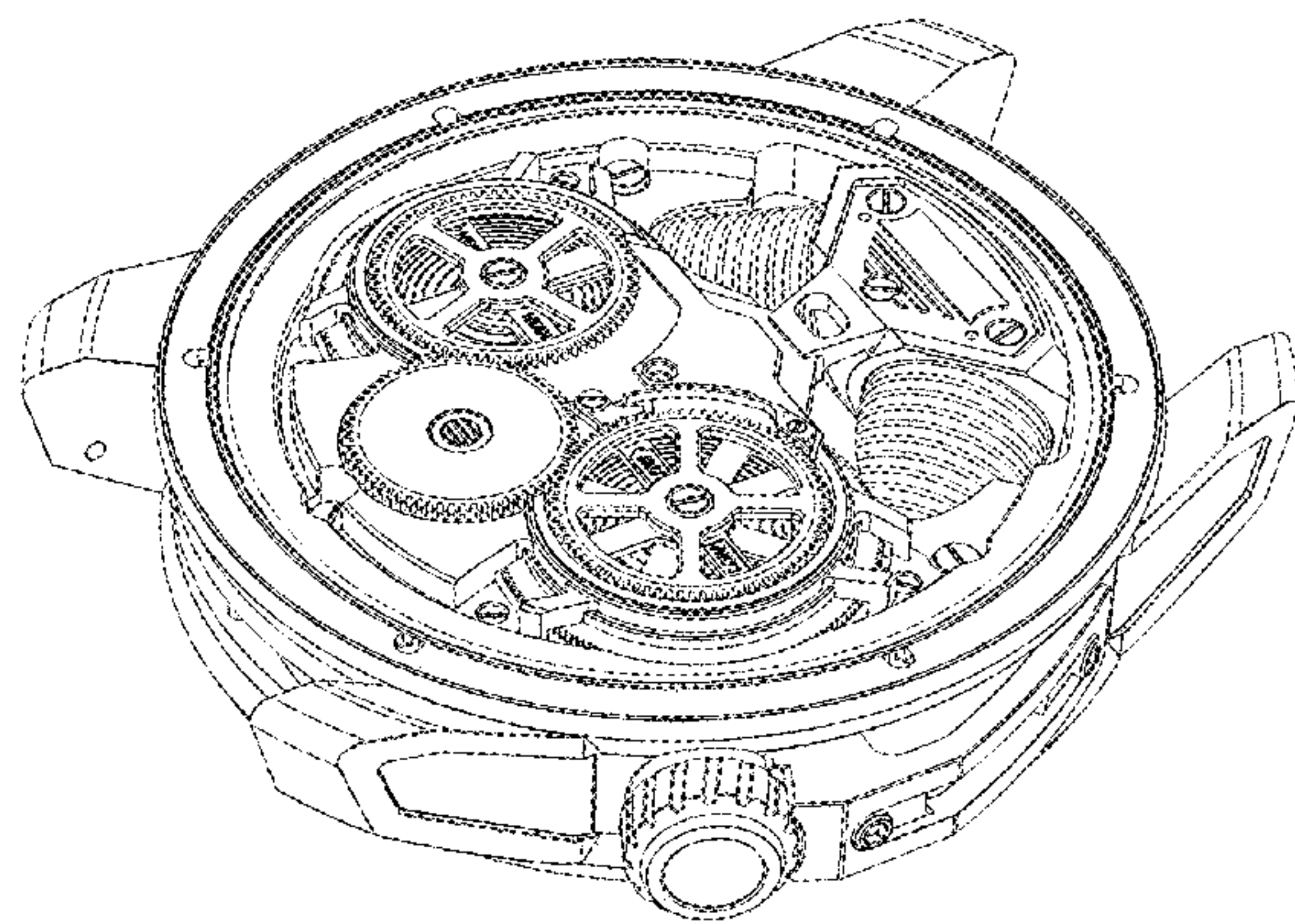
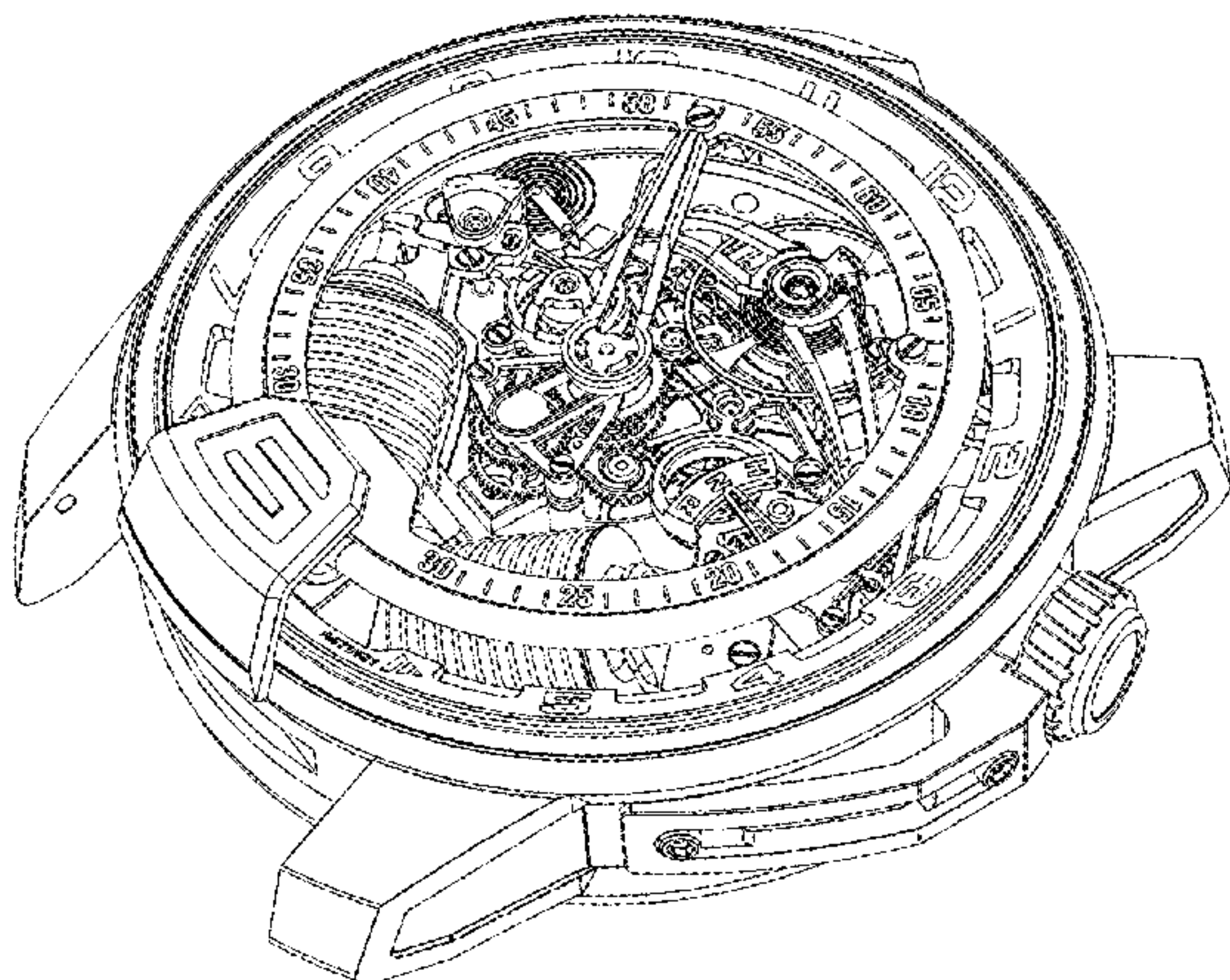




Fig. 1

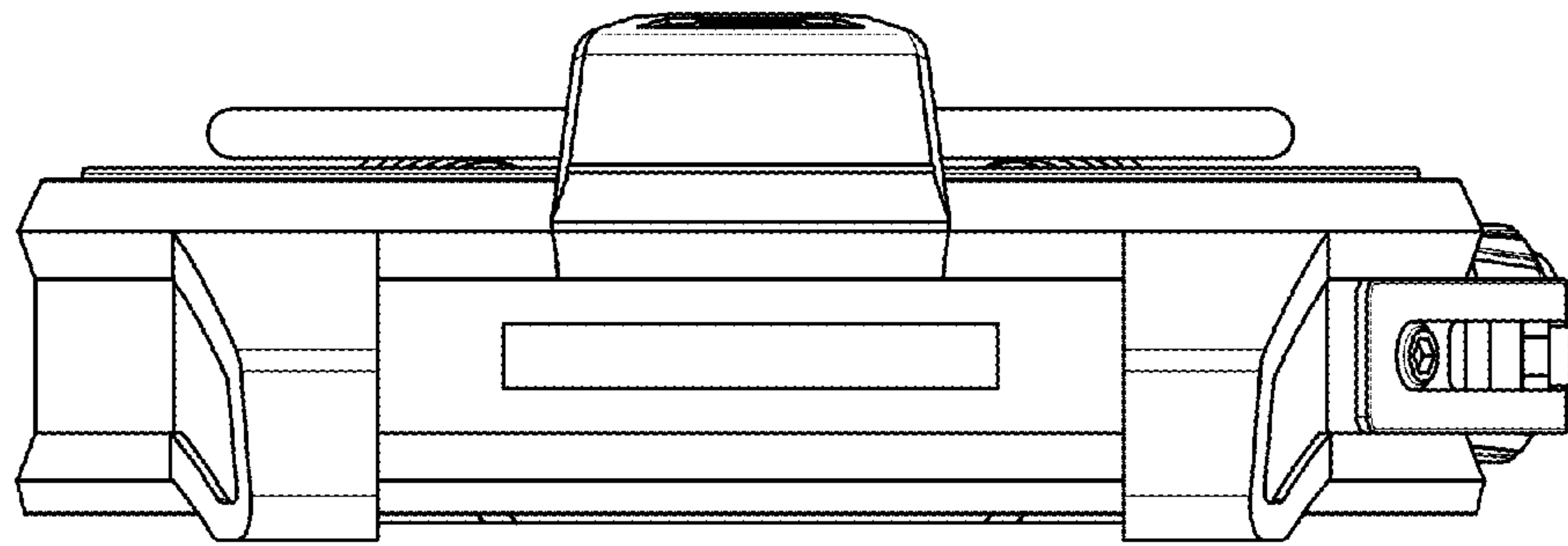


Fig.2

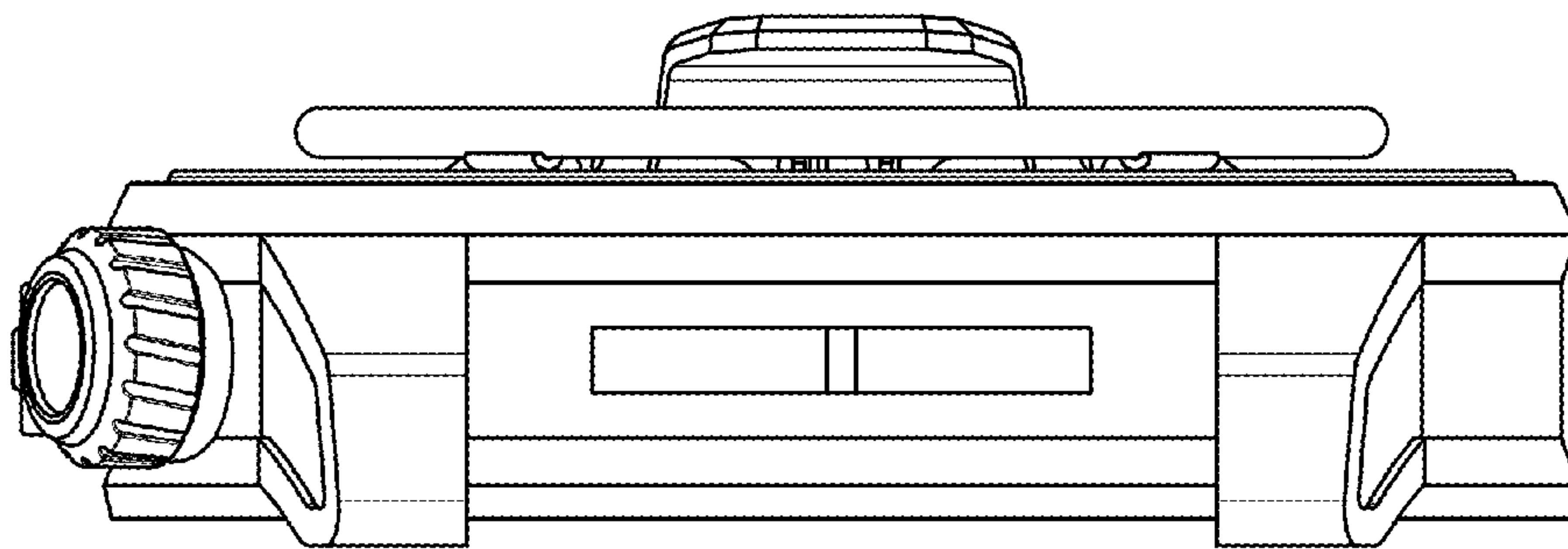


Fig.3

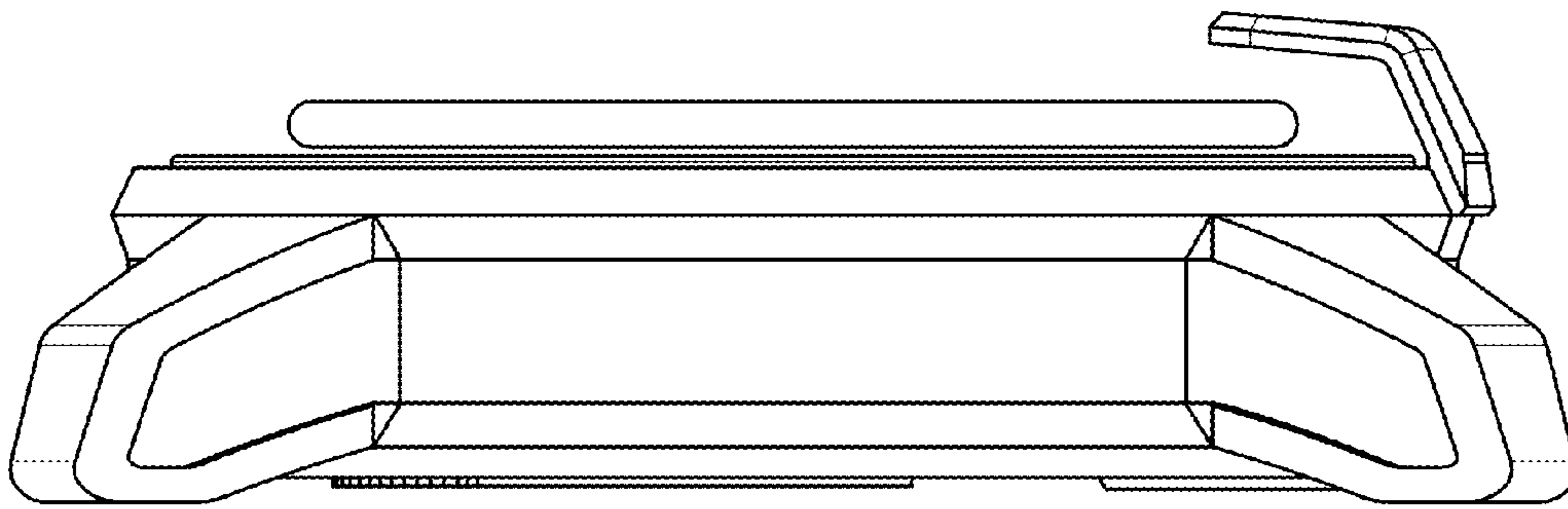


Fig.4

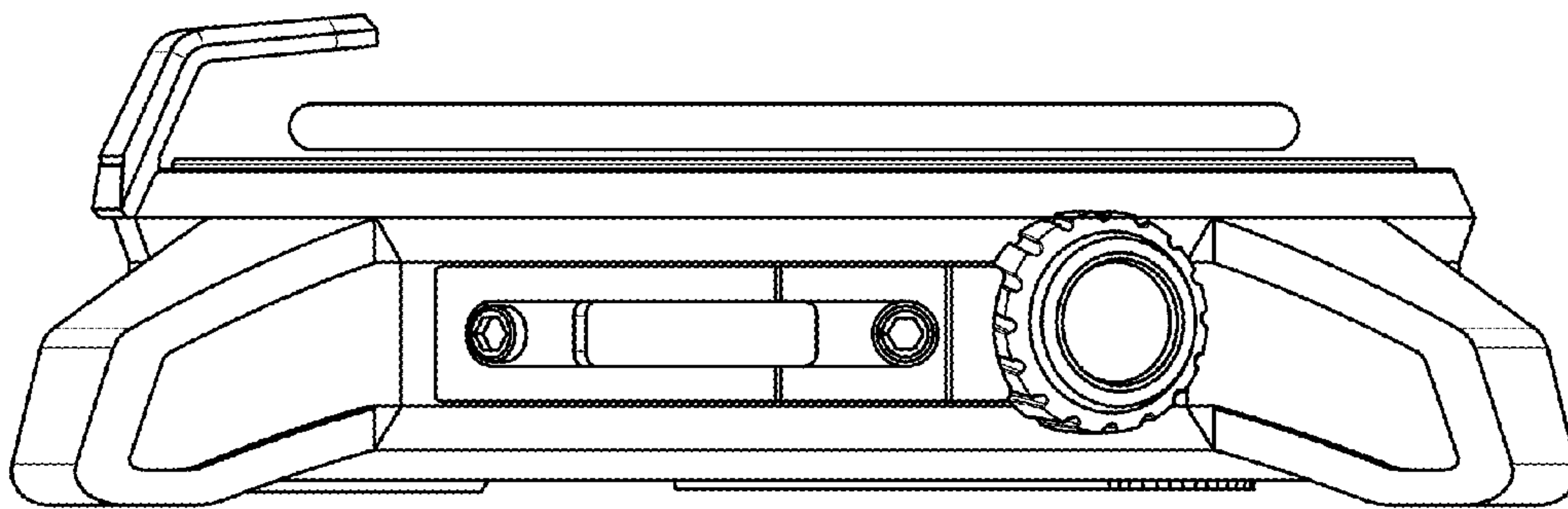


Fig.5

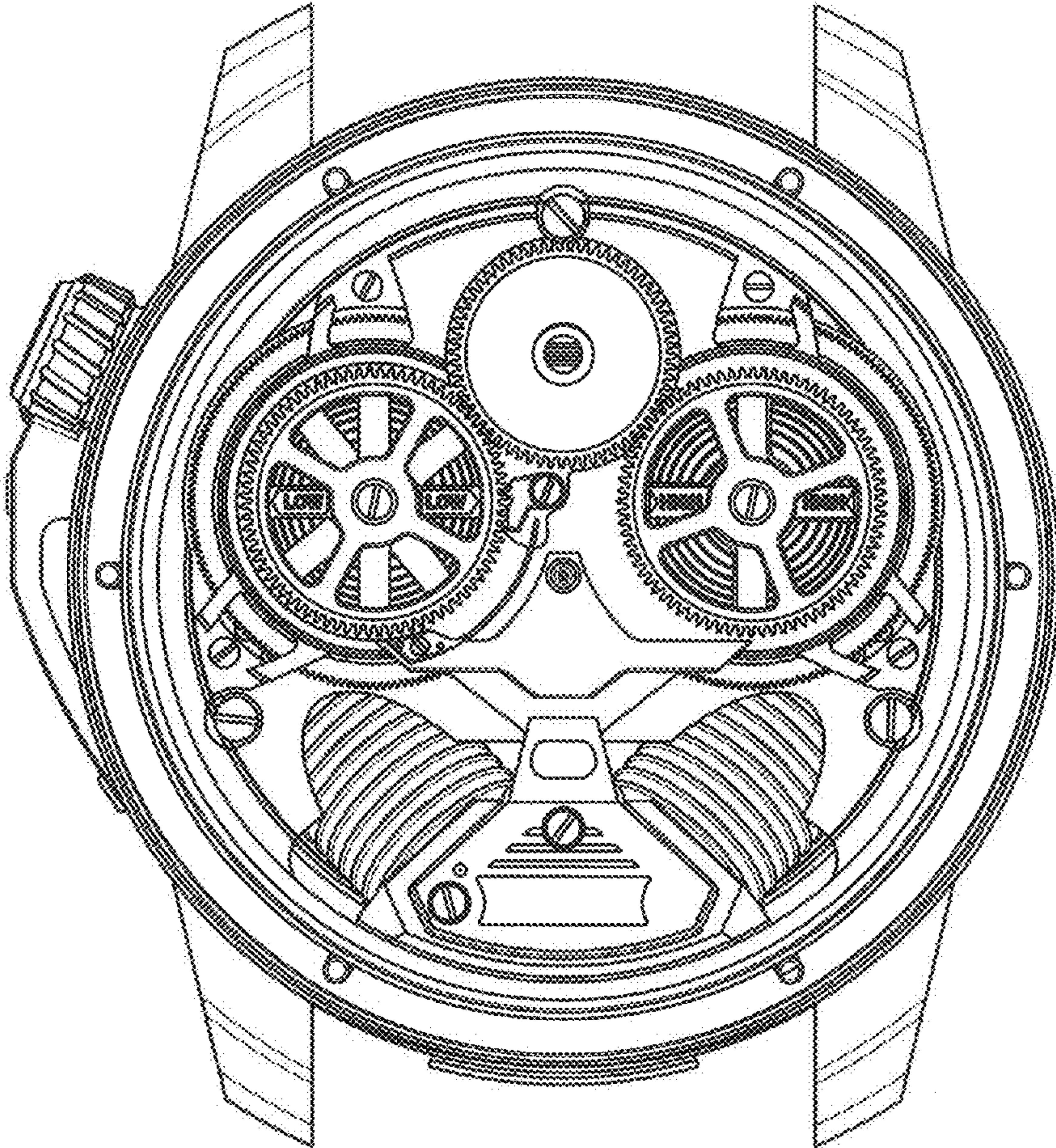


Fig.6

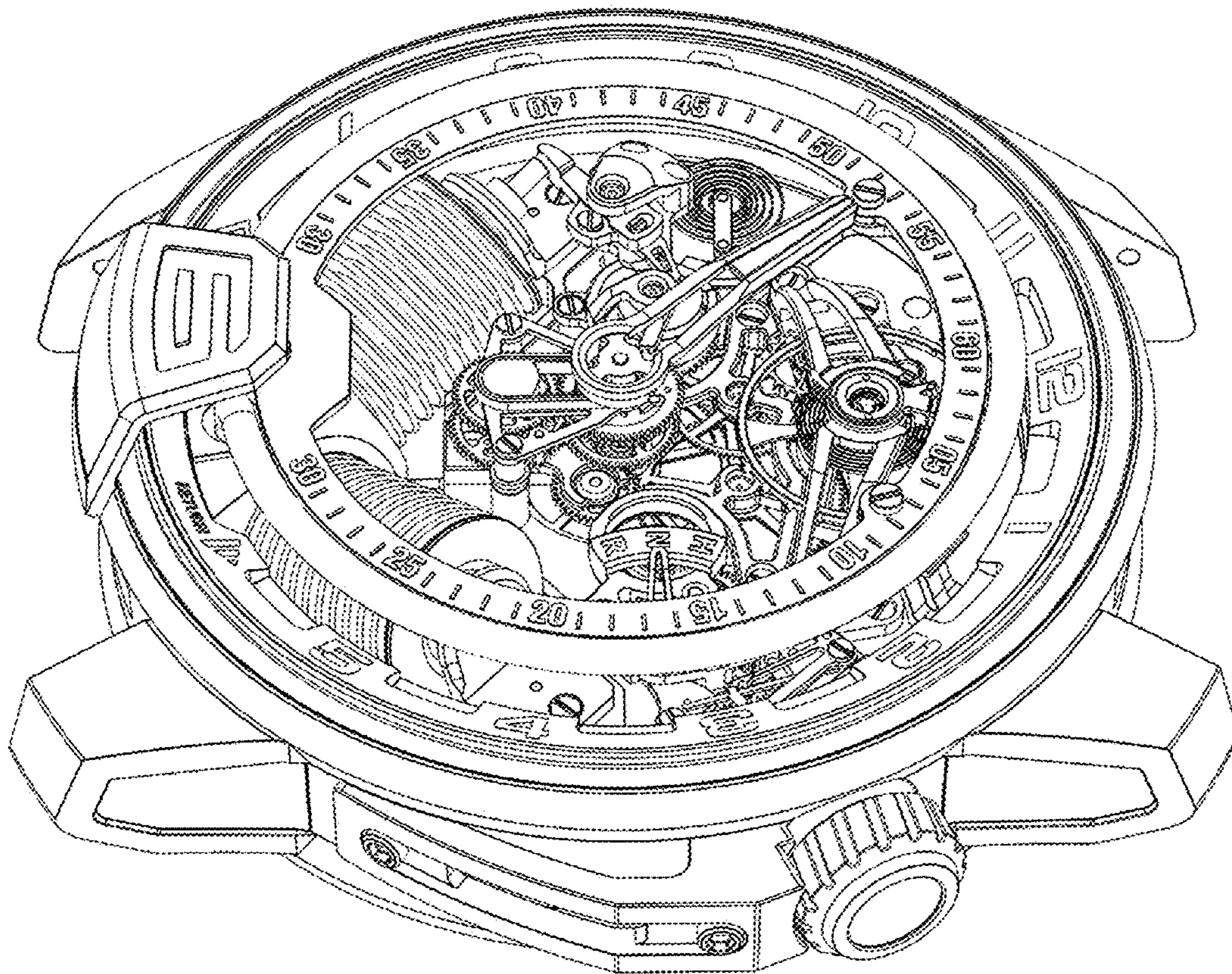


Fig.7



Fig.8



Fig.9

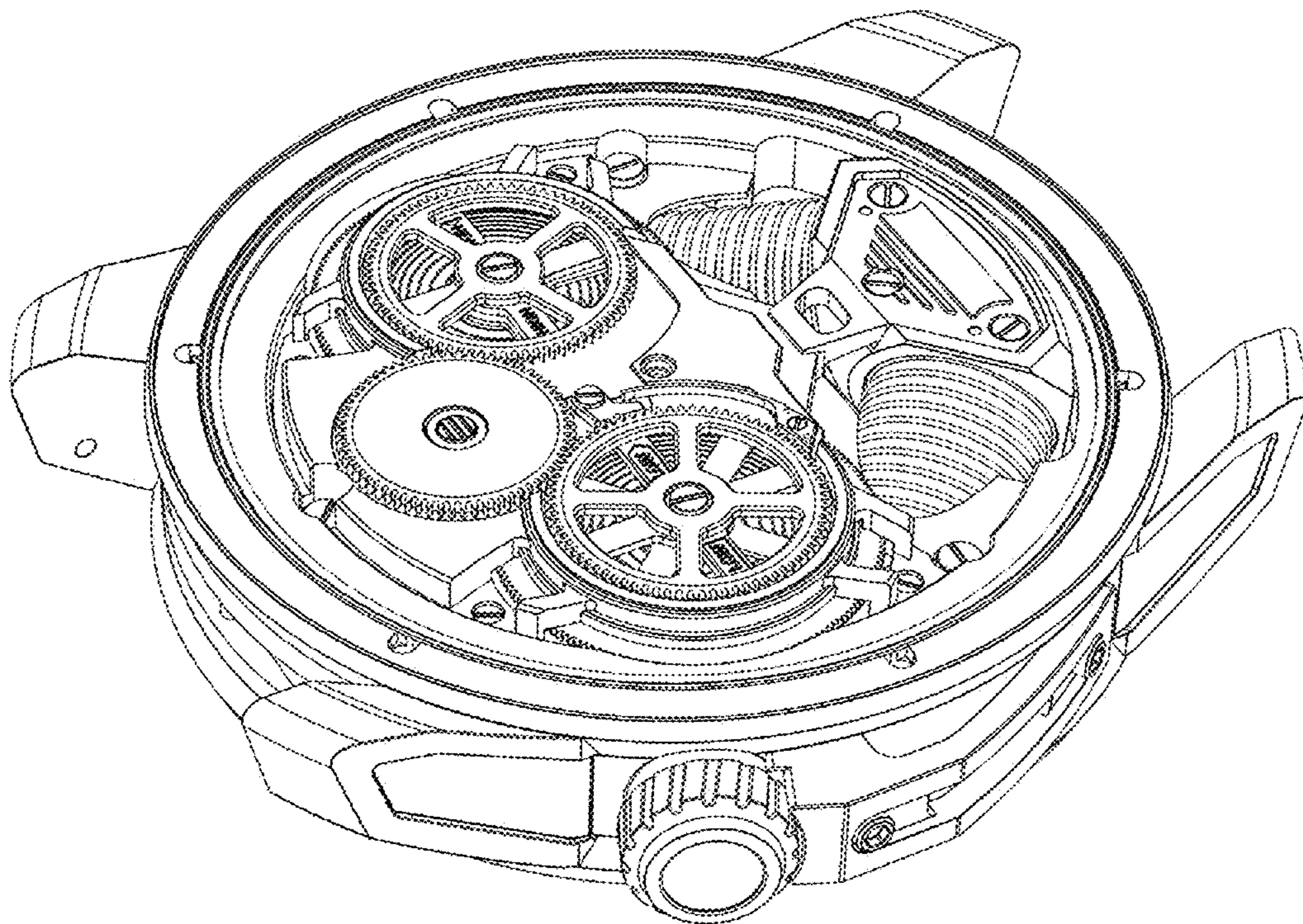


Fig.10

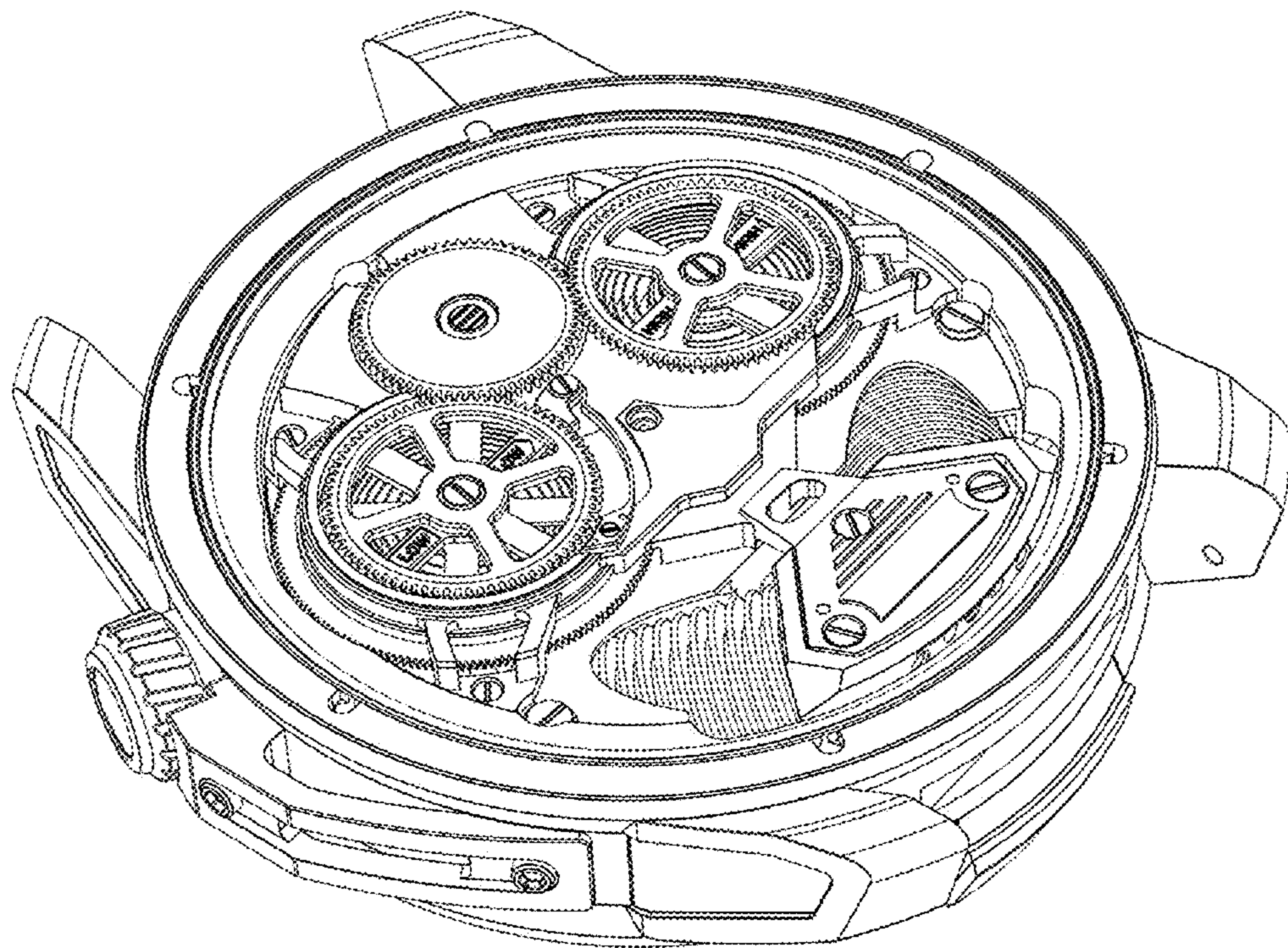


Fig.11

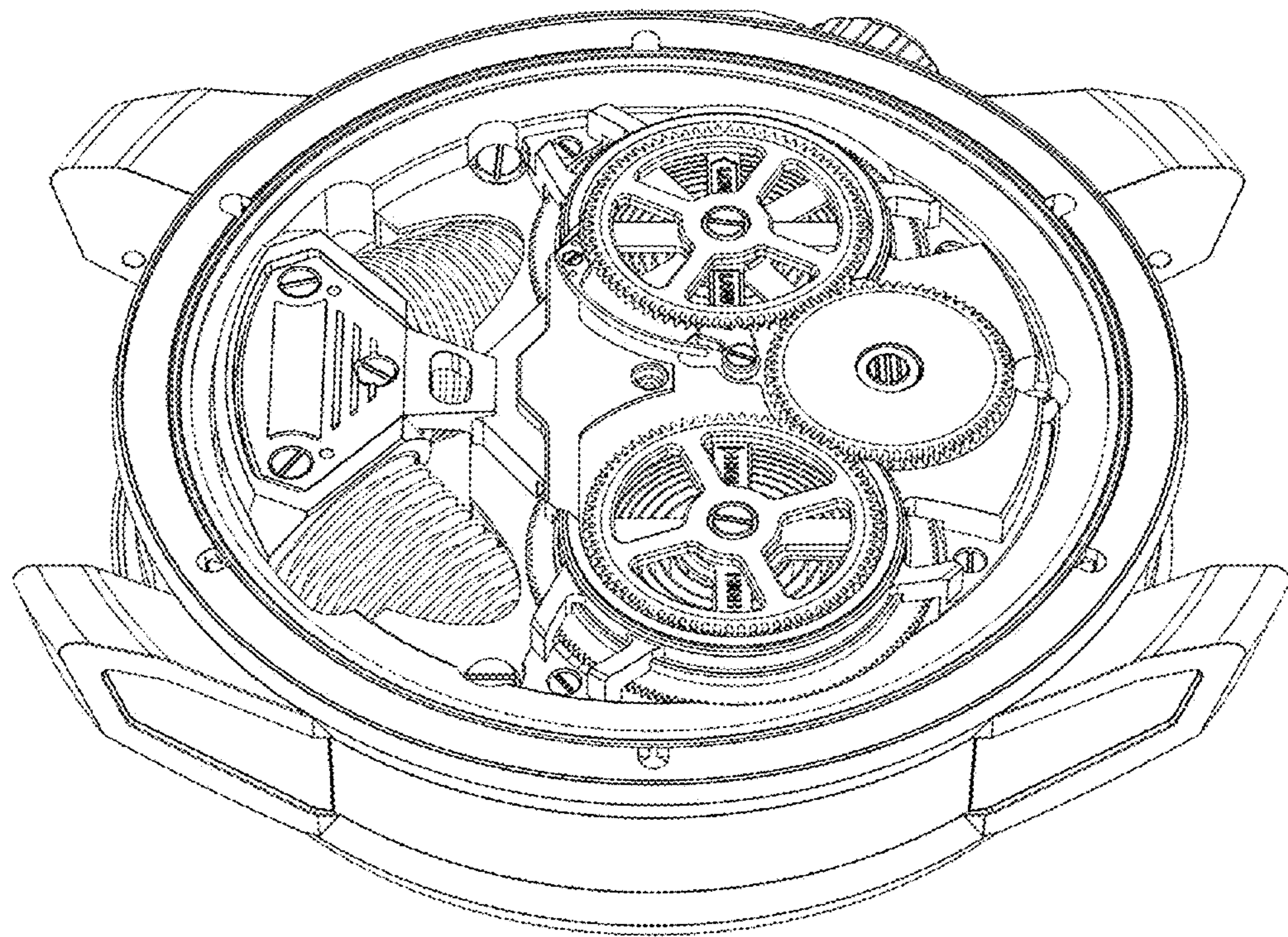


Fig.12