



US00D751417S

(12) **United States Design Patent**  
**Fan**

(10) **Patent No.:** **US D751,417 S**  
(45) **Date of Patent:** **\*\* Mar. 15, 2016**

(54) **PACKAGING BOX WITH BALL**

(71) Applicant: **NIKE, Inc.**, Beaverton, OR (US)  
(72) Inventor: **Richard S. Fan**, Portland, OR (US)  
(73) Assignee: **NIKE, Inc.**, Beaverton, OR (US)  
(\*\*) Term: **14 Years**

(21) Appl. No.: **29/520,761**

(22) Filed: **Mar. 17, 2015**

(51) **LOC (10) Cl.** ..... **09-03**

(52) **U.S. Cl.**  
USPC ..... **D9/721**

(58) **Field of Classification Search**  
USPC ..... D9/414, 418, 430-432, 711, 715, 721,  
D9/737; 206/315.9, 315.91, 592, 775, 777,  
206/779, 780; 229/101, 103.2, 103.3, 108,  
229/115, 116, 121, 122, 162.1, 162.4,  
229/162.5, 162.6  
CPC ..... B65D 5/4204; B65D 2571/00728;  
B65D 5/029; B65D 5/16; B65D 2571/00716;  
B65D 5/008; B65D 2571/00549; B65D  
5/5021; B65D 5/2028; B65D 5/0254; B65D  
75/14; B65D 2571/0029; B65D 5/02; B65D  
5/5035; B65D 81/113; B65D 5/42; B65D  
5/5007; B65D 5/443; B65D 5/5016; B65D  
81/133; B65D 5/2033; B65D 25/54; B65D  
73/0085; B65D 2571/00283; B65D 5/2042;  
B65D 75/50; B65D 81/025; B65D 85/00;  
B65D 5/00; B65D 5/5026; B65D 5/48048;  
B65D 75/522; B65D 15/22; B65D 77/02;  
B65D 85/1036; B65D 71/22; B65D 75/28;  
B65D 5/2061; B65D 77/003; B65D  
2519/00019; Y10S 224/919; Y10S 229/939;  
Y10S 206/822; Y10S 206/804; Y10S 52/10;  
Y10S 383/907

See application file for complete search history.

(56) **References Cited**

U.S. PATENT DOCUMENTS

D192,891 S \* 5/1962 Larsen ..... D9/754  
3,122,298 A 2/1964 Seger, Jr.  
3,123,204 A 3/1964 Baker et al.  
D207,746 S \* 5/1967 Cote ..... D9/418  
3,359,657 A 12/1967 Hedberg  
D211,321 S \* 6/1968 Ullmann ..... D9/418  
3,406,814 A \* 10/1968 Gulliver ..... B65D 5/4204  
206/497  
D227,351 S \* 6/1973 Winston ..... D9/418  
3,777,883 A \* 12/1973 Hackenberg ..... B65D 5/5019  
206/780  
D230,572 S \* 3/1974 D'Alessio ..... D9/418

(Continued)

OTHER PUBLICATIONS

Addidas Soccer Ball Packaging by Point of Purchase Production Blog [online]. [retrieved May 7, 2015]. 10 pages, Retrieved from the Internet <URL:http://pop-online.com/adidas-soccer-ball-packaging/> .

(Continued)

*Primary Examiner* — Derrick Holland  
*Assistant Examiner* — Lauren Calve  
(74) *Attorney, Agent, or Firm* — Banner & Witcoff, Ltd.

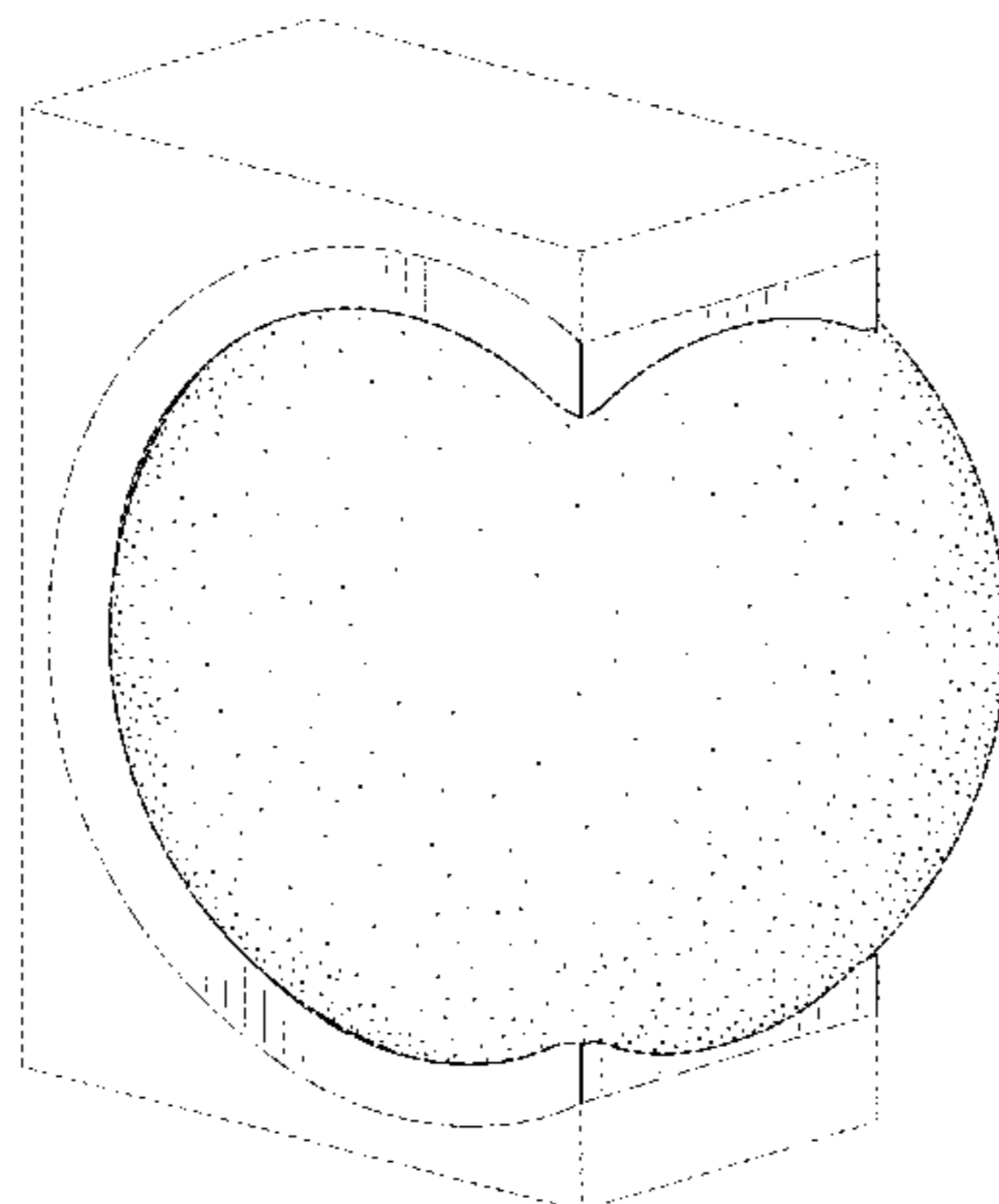
(57) **CLAIM**

The ornamental design for a packaging box with ball, as shown and described.

**DESCRIPTION**

FIG. 1 is a front perspective view of a packaging box with ball showing my new design;  
FIG. 2 is a front view thereof;  
FIG. 3 is a rear view thereof;  
FIG. 4 is a right side view thereof;  
FIG. 5 is a left side view thereof;  
FIG. 6 is a top view thereof; and,  
FIG. 7 is a bottom view thereof.  
The dash-dot-dash lines immediately adjacent to the shaded area represent unclaimed boundaries and form no part of the claimed design. The broken lines shown represent unclaimed subject matter and form no part of the claimed design.

**1 Claim, 4 Drawing Sheets**



(56)

References Cited

U.S. PATENT DOCUMENTS

3,815,735 A 6/1974 Cucuo  
 3,987,893 A 10/1976 Hanson  
 3,989,139 A \* 11/1976 Vargo ..... B65D 5/5026  
 206/521  
 D245,229 S 8/1977 Hanson  
 D246,440 S 11/1977 Hanson  
 4,177,917 A 12/1979 Webinger  
 4,315,569 A \* 2/1982 Jaeschke ..... B65D 5/4204  
 206/304  
 D266,226 S \* 9/1982 Zdarsky ..... D9/418  
 4,452,355 A 6/1984 Benham  
 D278,125 S 3/1985 Benham  
 D278,126 S 3/1985 Benham  
 4,629,069 A \* 12/1986 Pugh ..... B65D 5/5002  
 206/426  
 D291,065 S \* 7/1987 Pugh ..... D9/418  
 D295,958 S \* 5/1988 Pugh ..... D9/711  
 4,779,726 A 10/1988 Pratt  
 5,011,070 A 4/1991 Plunkett  
 5,156,276 A 10/1992 Lebowitz  
 5,195,633 A 3/1993 Kaminski  
 5,253,799 A 10/1993 Sebesta  
 5,322,210 A 6/1994 Chila et al.  
 D357,181 S 4/1995 Baker  
 D361,718 S 8/1995 Baker  
 5,597,112 A 1/1997 Knapp  
 D386,533 S 11/1997 Kvoka  
 5,695,056 A 12/1997 Bender et al.  
 5,881,885 A 3/1999 Grimm  
 D415,423 S \* 10/1999 Miller ..... D9/431  
 6,036,010 A 3/2000 Seyffert et al.  
 6,199,692 B1 3/2001 Van Ness et al.  
 6,199,804 B1 3/2001 Donofrio, Jr.  
 6,220,443 B1 4/2001 Damaskos  
 6,568,528 B2 5/2003 Murray

D477,219 S 7/2003 Waterhouse et al.  
 D482,273 S 11/2003 Humphrey  
 6,644,473 B2 11/2003 Kohler  
 6,743,490 B2 6/2004 Fushihara et al.  
 D525,878 S 8/2006 Wijerama  
 D529,399 S \* 10/2006 Wijerama ..... D9/721  
 D530,196 S 10/2006 Wijerama  
 D532,686 S 11/2006 Wijerama  
 D535,193 S \* 1/2007 Rutledge ..... D9/721  
 7,513,369 B1 4/2009 Lee  
 D593,409 S \* 6/2009 Blick ..... D27/189  
 D597,833 S \* 8/2009 Ames ..... D9/432  
 7,571,805 B2 8/2009 Cunningham  
 7,806,313 B2 10/2010 Philips  
 7,938,259 B2 5/2011 Conklin et al.  
 D640,128 S \* 6/2011 Harshman ..... D9/418  
 8,162,205 B2 4/2012 Stephens  
 D661,161 S 6/2012 Craft et al.  
 D663,198 S 7/2012 White et al.  
 D672,202 S 12/2012 Craft et al.  
 8,365,920 B2 2/2013 House et al.  
 D701,455 S 3/2014 Shepherd et al.  
 8,770,401 B2 7/2014 Fitchett  
 2002/0084201 A1 \* 7/2002 Murray ..... B65D 5/5019  
 206/315.9  
 2003/0121809 A1 7/2003 Gourd et al.  
 2007/0125897 A1 6/2007 Wijerama  
 2008/0047858 A1 \* 2/2008 Conklin ..... B65D 5/10  
 206/315.9

OTHER PUBLICATIONS

Fast Co Designs, What If Nike Sold Oranges and Apple Sold iMilk [online]. [retrieved Jan. 12, 2015]. 7 pages, Retrieved from the Internet <URL:http://www.fastcodesign.com/3040466/what-if-nike-sold-oranges-and-apple-sold-imilk>.

\* cited by examiner

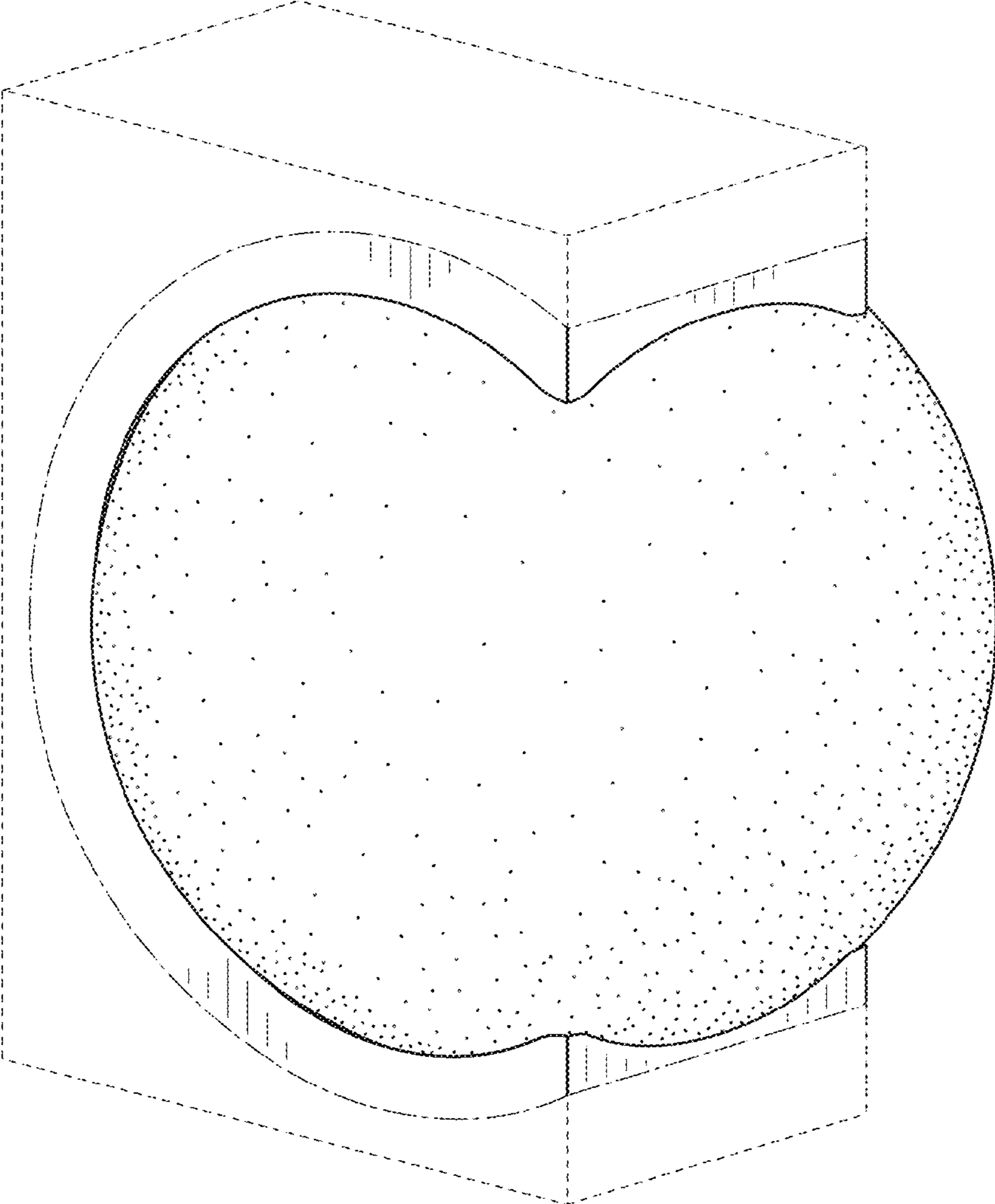


FIG. 1

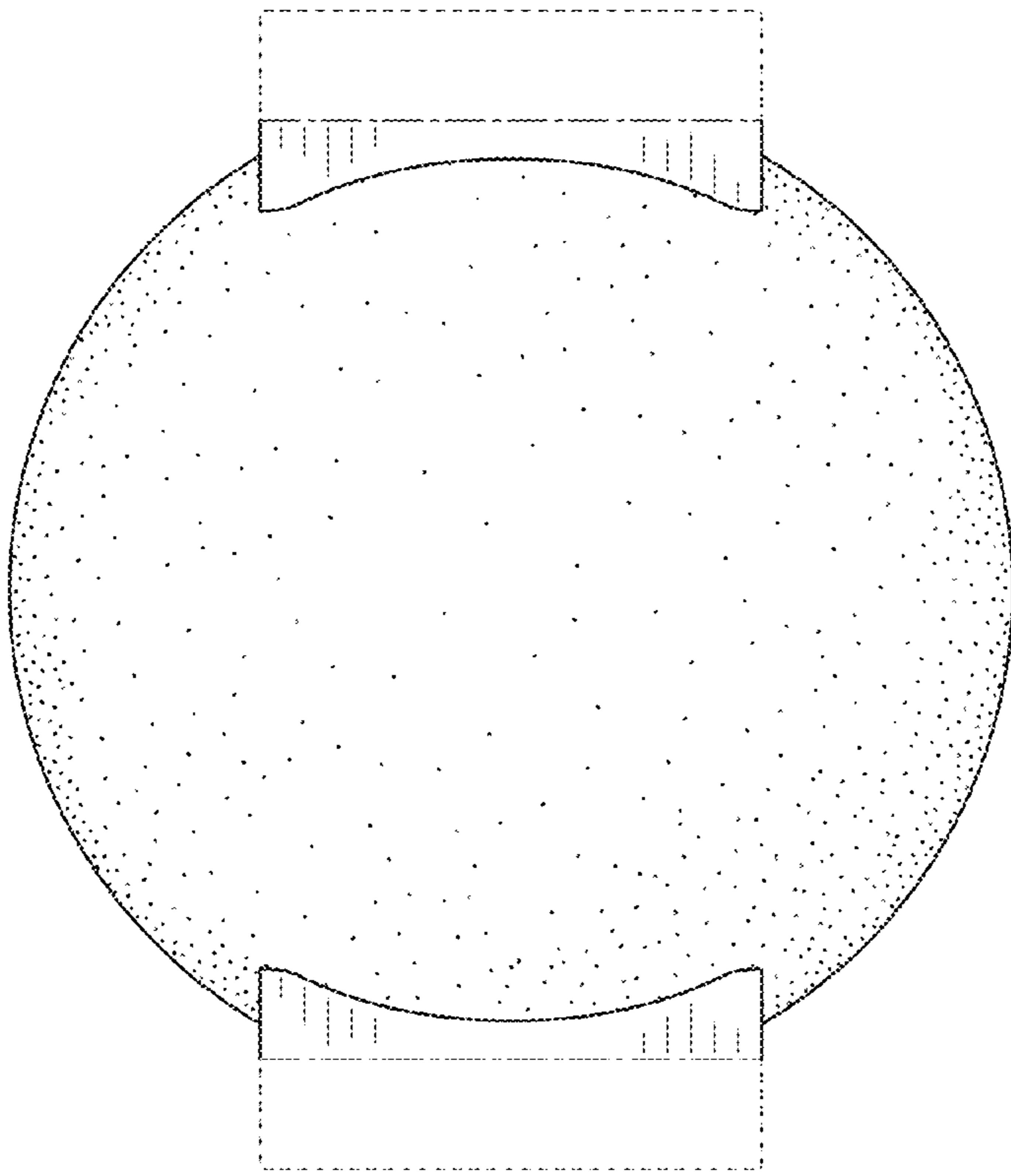


FIG. 2

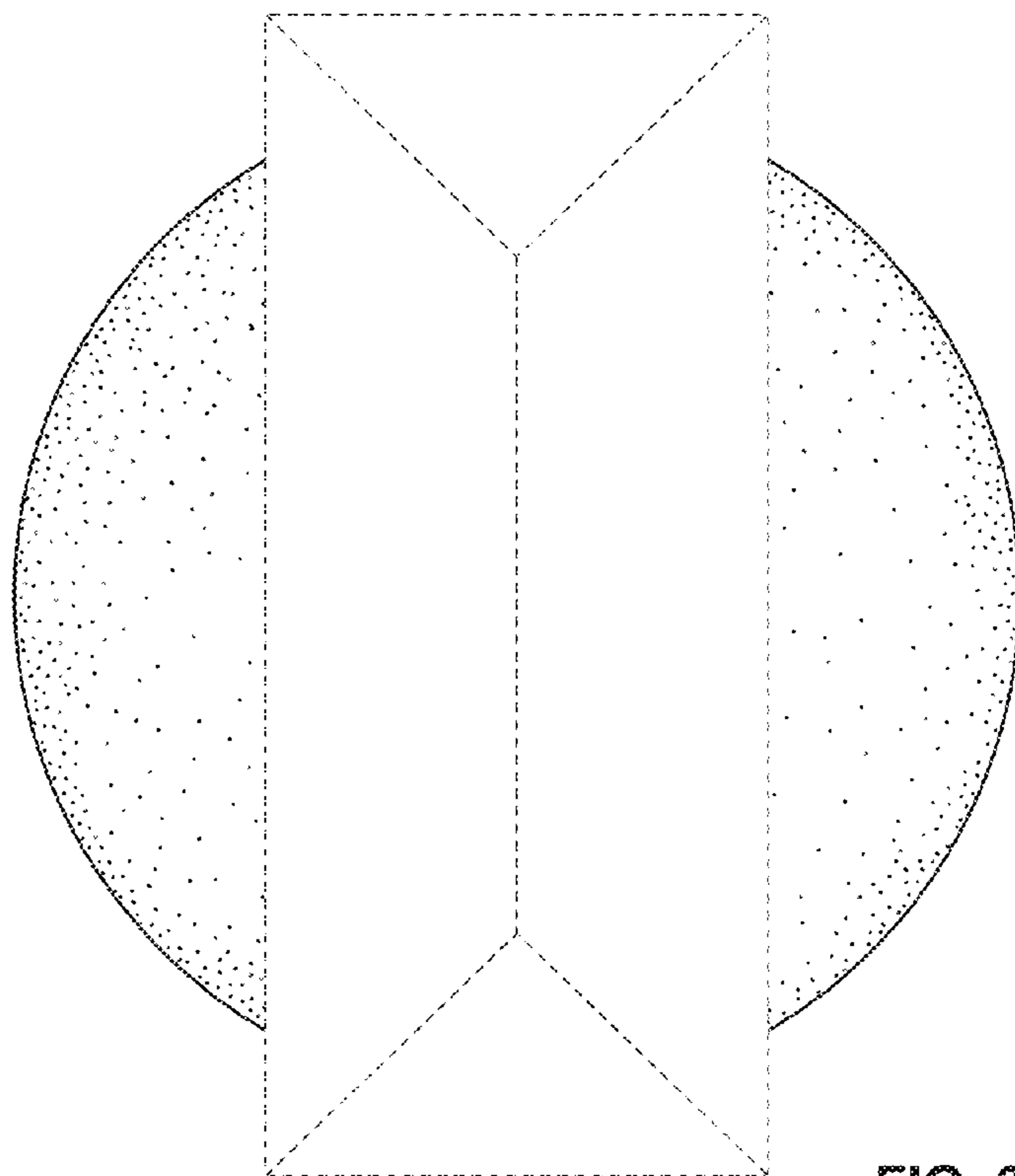


FIG. 3



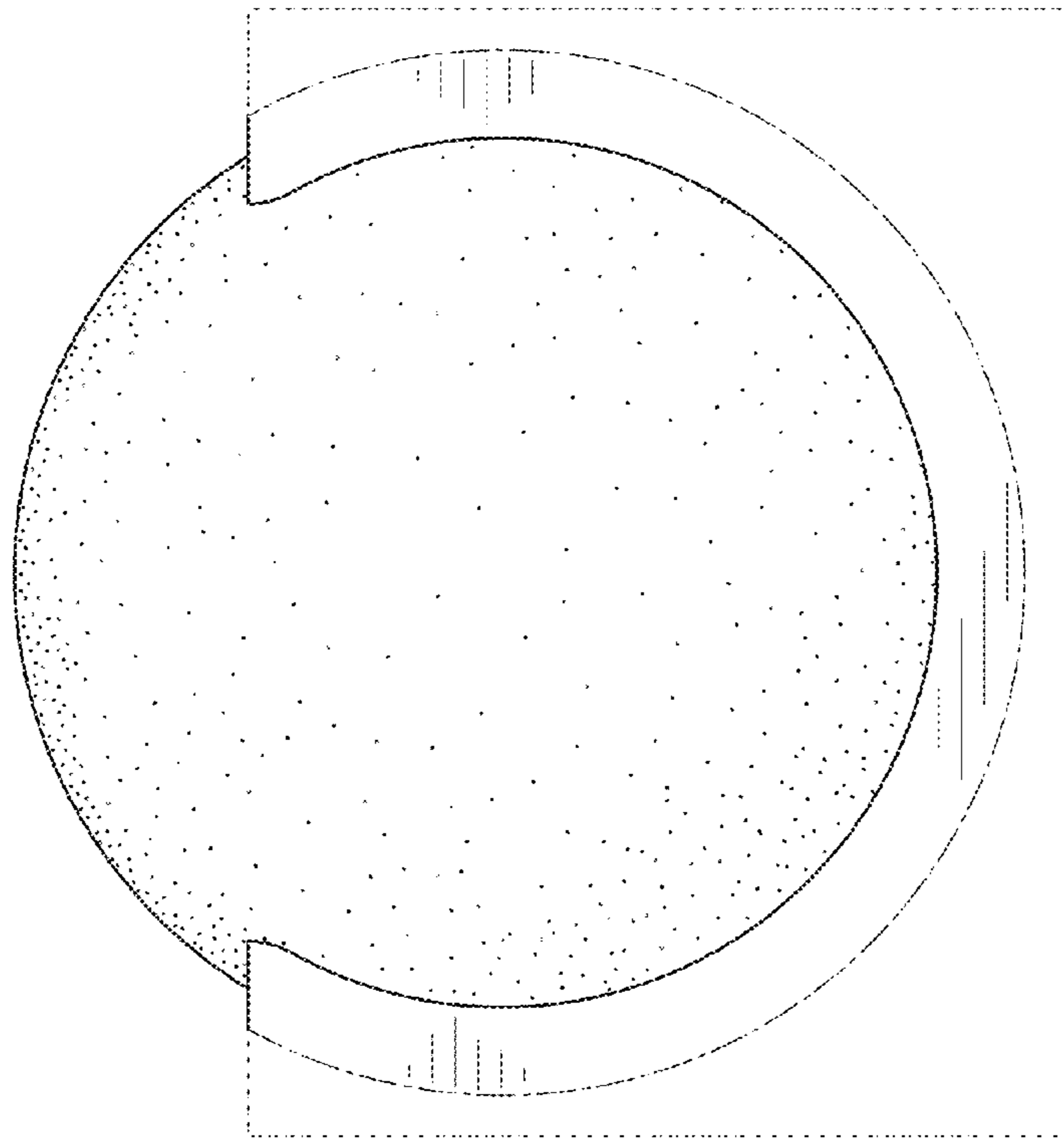


FIG. 4

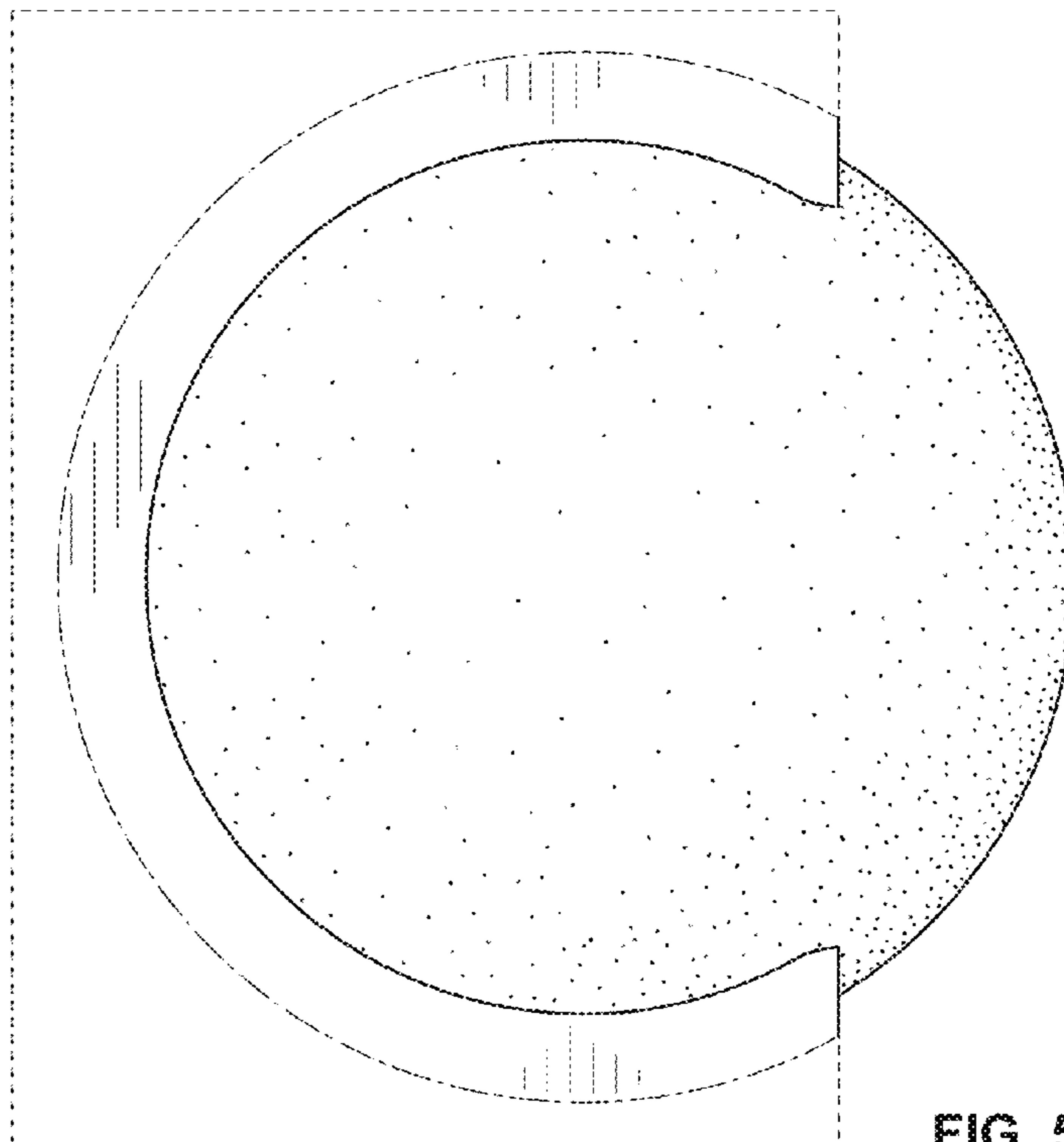


FIG. 5

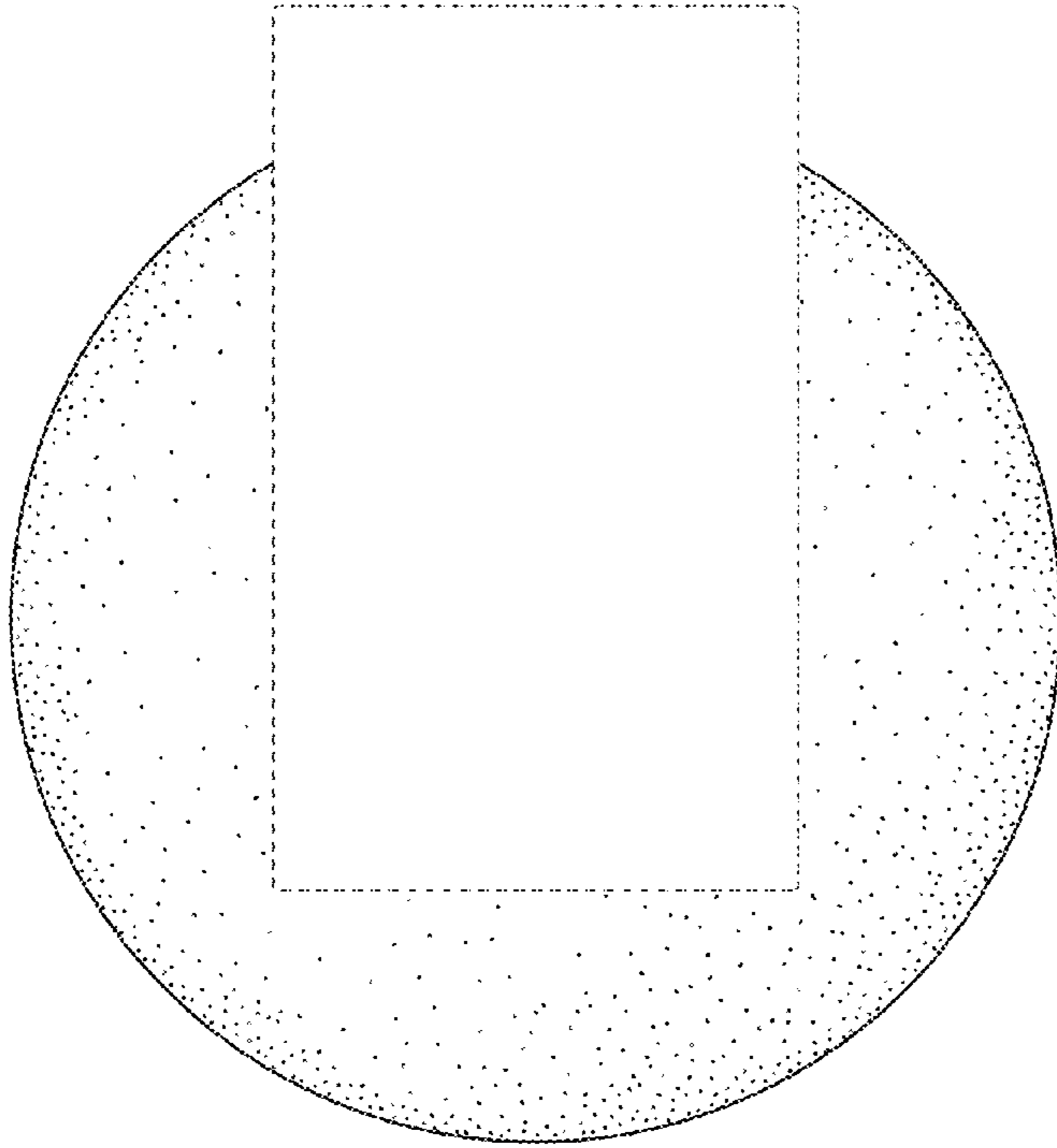


FIG. 6

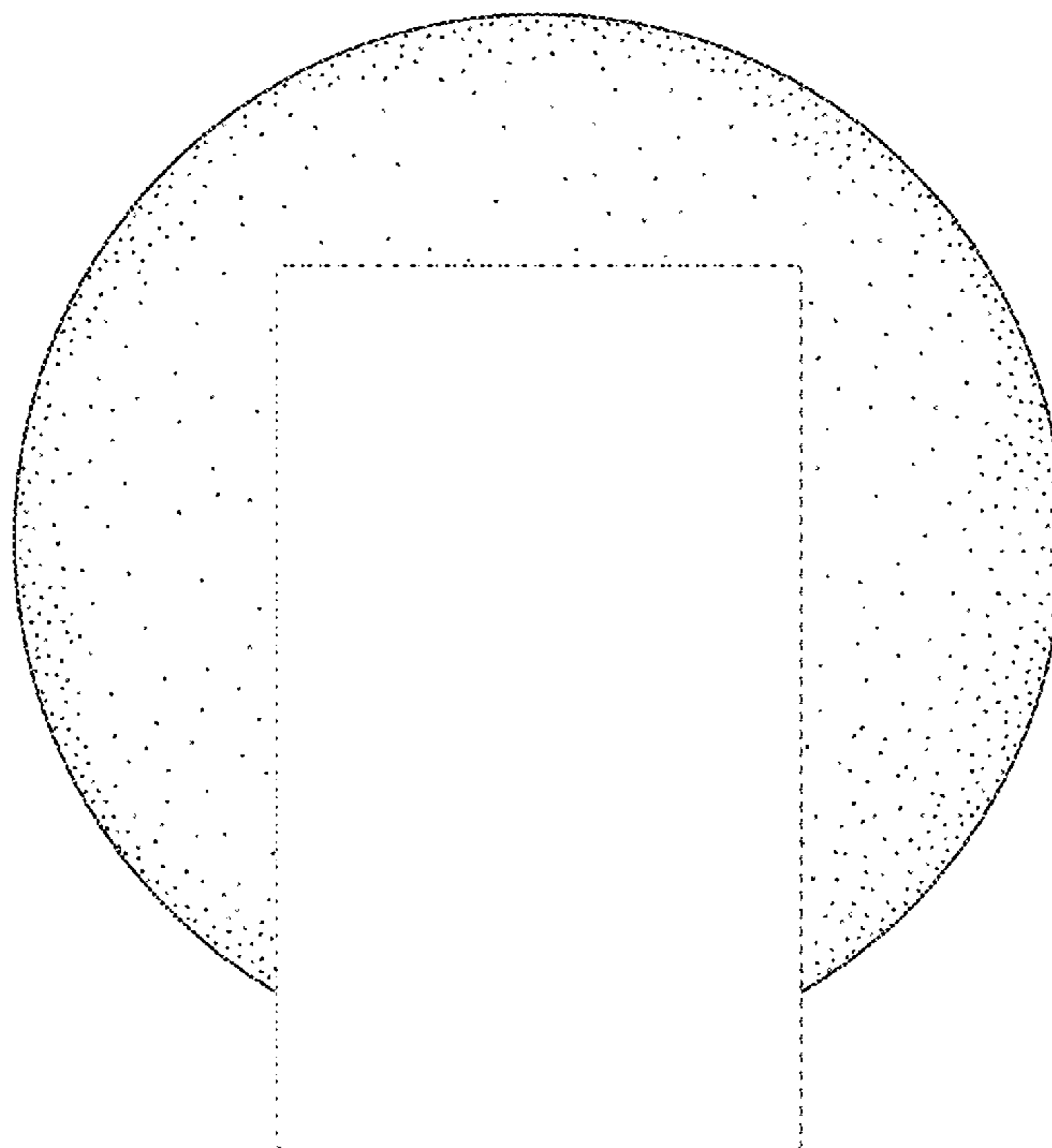


FIG. 7