



US00D751415S

(12) **United States Design Patent**
Otani et al.

(10) **Patent No.:** **US D751,415 S**
(45) **Date of Patent:** **** Mar. 15, 2016**

(54) **COSMETIC BOTTLE**

(71) Applicant: **ELC Management LLC**, Melville, NY (US)

(72) Inventors: **Laura Otani**, New York, NY (US); **Jesse Chertoff**, Tenafly, NJ (US); **Allan Hafkin**, Plainview, NY (US)

(73) Assignee: **ELC MANAGEMENT LLC**, Melville, NY (US)

(**) Term: **14 Years**

(21) Appl. No.: **29/507,174**

(22) Filed: **Oct. 24, 2014**

(51) **LOC (10) Cl.** **09-01**

(52) **U.S. Cl.**
USPC **D9/688**; D9/686

(58) **Field of Classification Search**

USPC D9/682-694, 500-505, 718, 719, D9/723-729, 516, 517, 520, 521, 523, 526, D9/529, 537-546, 549-558, 559-562, D9/563-575, 418, 434-436, 439, 440, 443, D9/445, 447, 448; D28/76, 77, 88, 89, D28/91.1
CPC B65D 83/14; B65D 83/16; B65D 83/20; B65D 83/205; B65D 83/206; B65D 83/22; B65D 83/222; B65D 83/28; B65D 83/38; B65D 83/384; B65D 83/386; B65D 83/388; B65D 83/226; B65D 83/285; B65D 83/30; B65D 83/303; B65D 83/306; B65D 83/40; B05B 11/00; B05B 11/0027; B05B 11/0035; B05B 11/0037; B05B 11/0054; B05B 11/3001; B05B 11/3004; B05B 11/3042; B05B 11/3052; B05B 11/3059; B05B 11/306; A45D 34/00; A45D 34/02; A45D 34/04; A45D 34/041; A45D 2034/005; A45D 2034/007

See application file for complete search history.

(56) **References Cited**

U.S. PATENT DOCUMENTS

2,949,621 A * 8/1960 Clement A45D 34/04
401/149
D190,785 S * 6/1961 Kruck D27/160

(Continued)

FOREIGN PATENT DOCUMENTS

EM 000287222-0001 * 3/2005
EM 001689852-0001 4/2010

(Continued)

OTHER PUBLICATIONS

TW Search Report—Completion Date: Aug. 28, 2015; Mailing Date: Sep. 10, 2015.

Primary Examiner — Catherine Tuttle

(74) *Attorney, Agent, or Firm* — Cynthia R. Miller

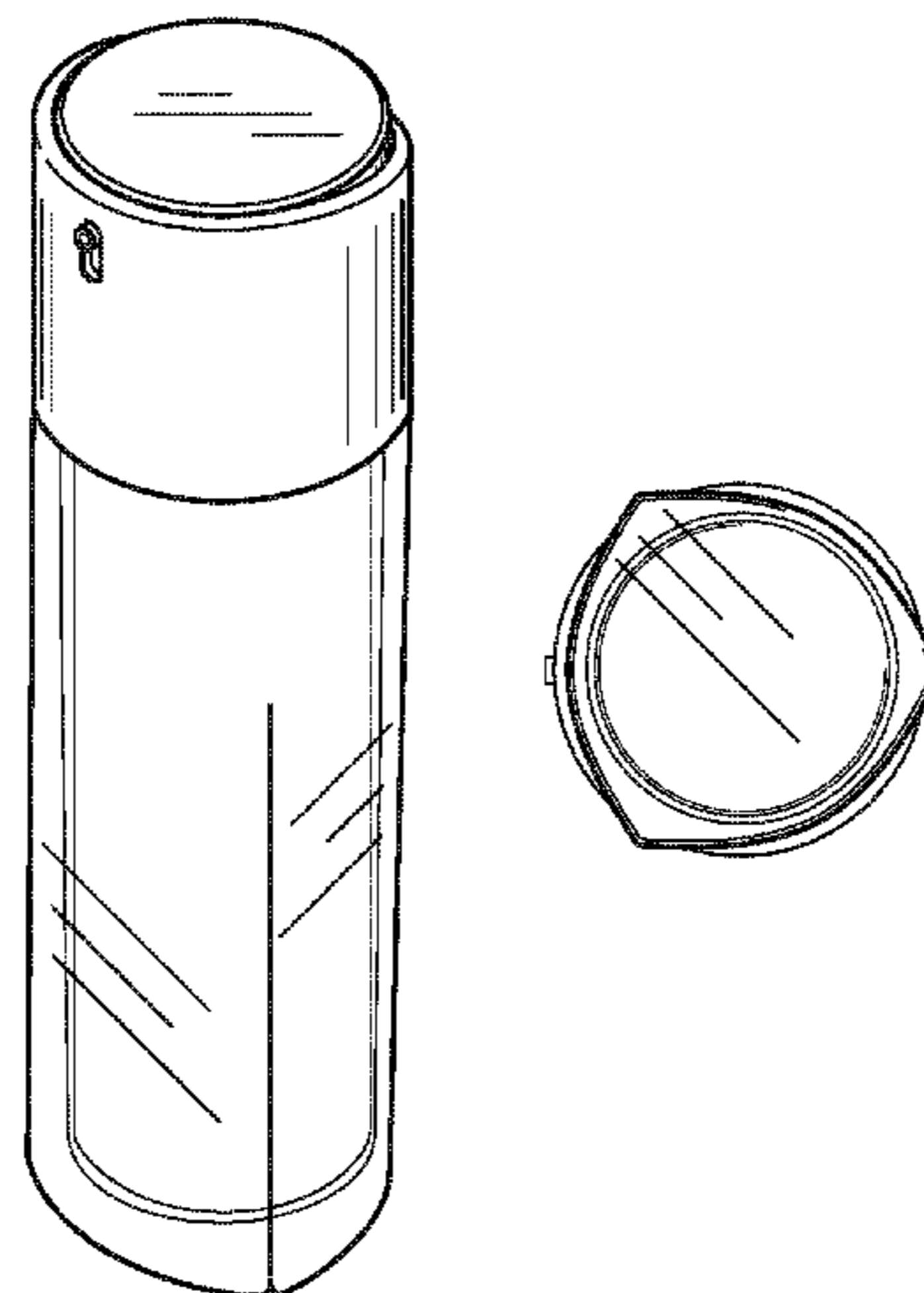
(57) **CLAIM**

The ornamental design for a cosmetic bottle, as shown.

DESCRIPTION

FIG. 1 is a top, front, right side perspective view of our new design for a cosmetic bottle;
FIG. 2 is a front elevation view of the cosmetic bottle shown in FIG. 1;
FIG. 3 is a right side elevation view of the cosmetic bottle shown in FIG. 1;
FIG. 4 is a rear elevation view of the cosmetic bottle of FIG. 1;
FIG. 5 is top plan view of the of the cosmetic bottle of FIG. 1; and
FIG. 6 is a bottom plan view of the cosmetic bottle of FIG. 1.
FIG. 7 is a cross-sectional view of the cosmetic bottle taken through line FIG. 7-FIG. 7 of FIG. 3;
FIG. 8 is a cross-sectional view of the cosmetic bottle taken through line FIG. 8-FIG. 8 of FIG. 3; and,
FIG. 9 is a cross-sectional view of the cosmetic bottle taken through line FIG. 9-FIG. 9 of FIG. 3.

1 Claim, 6 Drawing Sheets



(56)

References Cited

U.S. PATENT DOCUMENTS

D195,701 S 7/1963 Chermayell
 3,178,071 A * 4/1965 Gentoso B65D 83/205
 222/23
 D201,223 S * 5/1965 Harris D9/448
 D210,115 S 2/1968 Armour
 D220,941 S 6/1971 Usen
 D229,723 S 12/1973 Grimes
 D307,542 S * 5/1990 De Montgailhard D9/686
 D321,930 S * 11/1991 Dinand D23/360
 D356,247 S * 3/1995 Manoukian D9/686
 D387,278 S 12/1997 Olivares et al.
 D430,793 S 9/2000 Baron
 6,302,302 B1 * 10/2001 Albisetti B65D 83/205
 222/153.11
 D459,229 S 6/2002 Paul
 6,905,049 B1 * 6/2005 Lambert B05B 11/3052
 222/321.7
 D526,202 S 8/2006 Bakic
 D526,908 S * 8/2006 Blasko D9/693
 D538,178 S * 3/2007 Desgrippes D9/691
 D555,877 S * 11/2007 Reinoso D9/687
 D561,024 S 2/2008 Altonen et al.
 D569,265 S 5/2008 Vam Der Stratem
 D584,960 S 1/2009 Sherwood
 D589,362 S * 3/2009 Takounseun D9/691

D598,295 S * 8/2009 Miceli D9/561
 D608,219 S 1/2010 Lecoule
 D611,354 S 3/2010 Usui et al.
 D611,825 S 3/2010 Usui et al.
 D659,004 S 5/2012 McCoy
 D659,005 S 5/2012 McCoy
 D683,238 S 5/2013 You
 D688,918 S 9/2013 Jin et al.
 D696,140 S 12/2013 Servaire
 8,800,818 B2 * 8/2014 Greenberg B05B 11/3059
 222/135
 2005/0017026 A1 * 1/2005 Yerby B65D 83/20
 222/402.13
 2007/0175899 A1 * 8/2007 Hatcher B65D 83/384
 220/326
 2013/0026186 A1 * 1/2013 Jenkins B05B 11/0048
 222/153.13
 2014/0061243 A1 * 3/2014 Goettke B05B 11/3001
 222/182

FOREIGN PATENT DOCUMENTS

KR 300688927.0000 4/2013
 KR 300692536.0000 5/2013
 TW D157534 12/2013
 TW D157535 12/2013
 WO WO-D048213-001 8/1999

* cited by examiner

FIG. 1

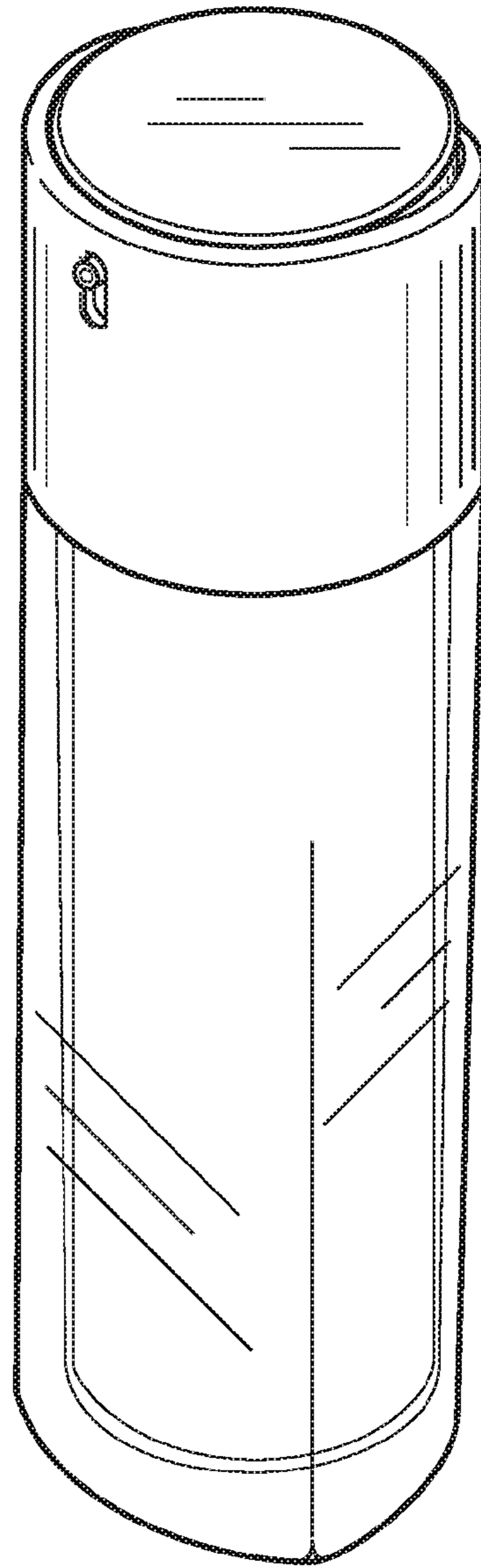


FIG. 2

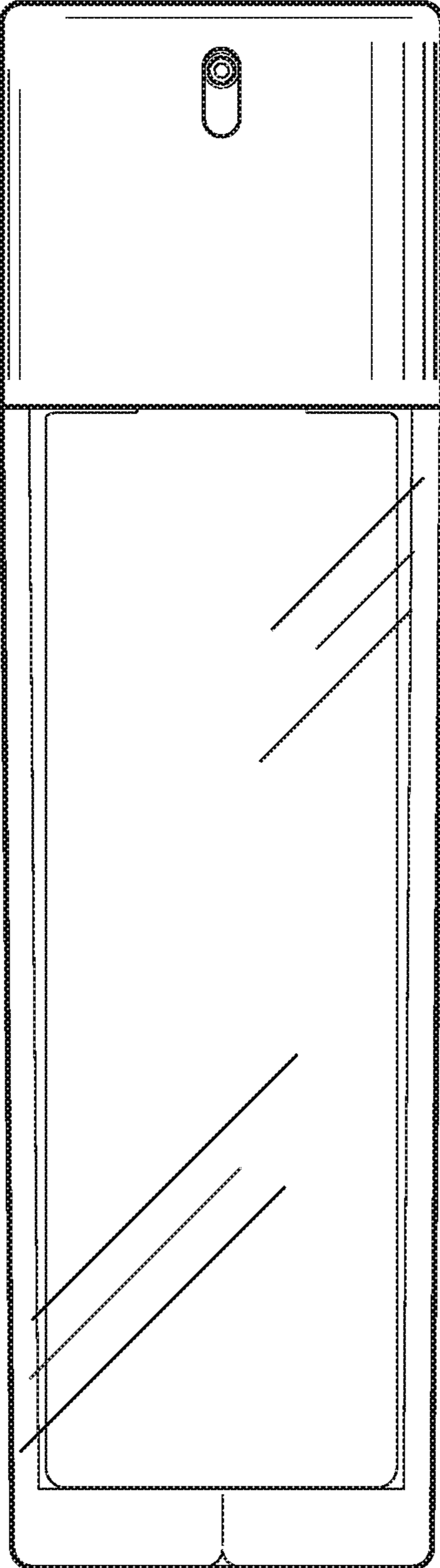


FIG. 3

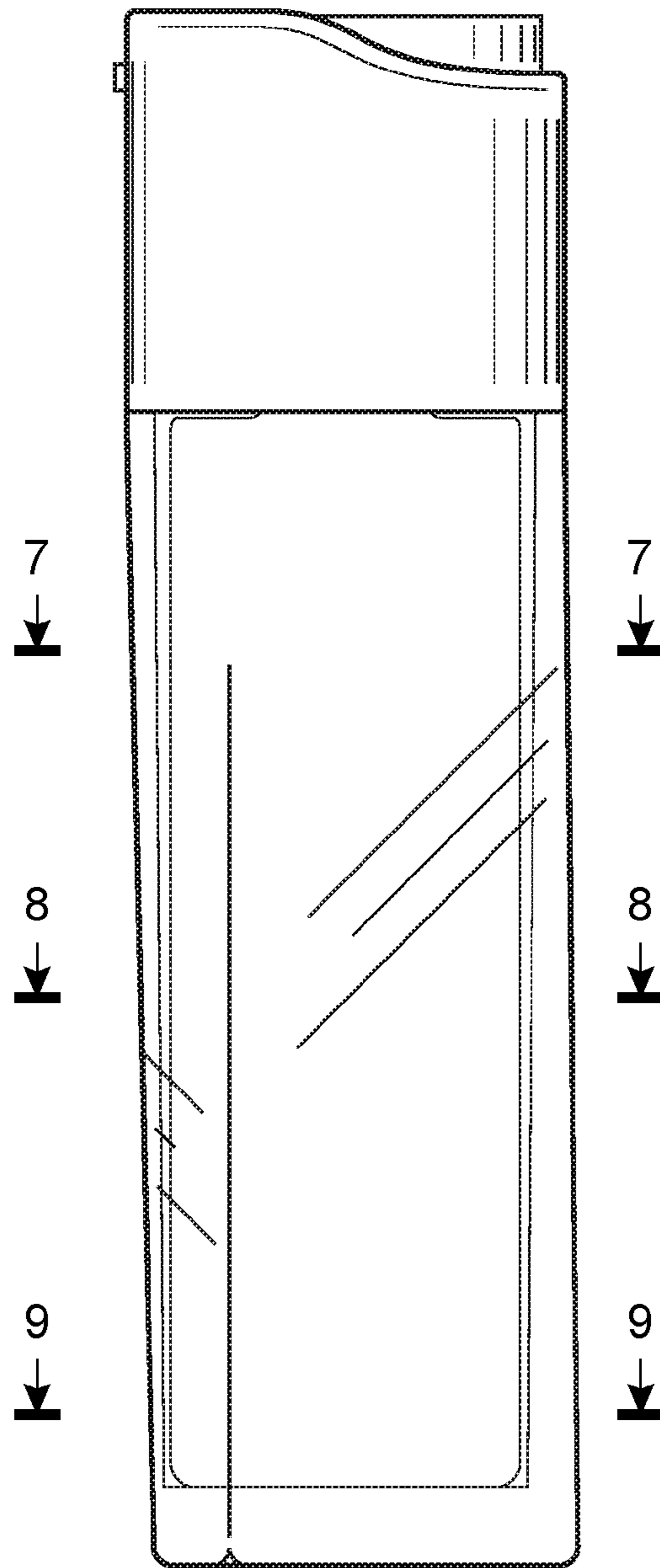


FIG. 4

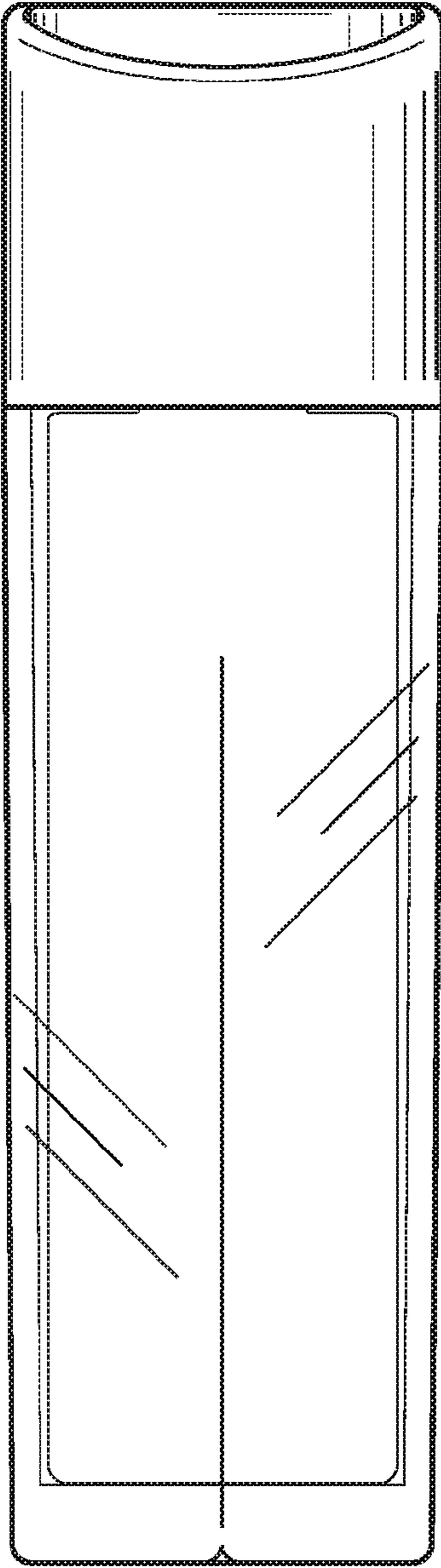


FIG. 5

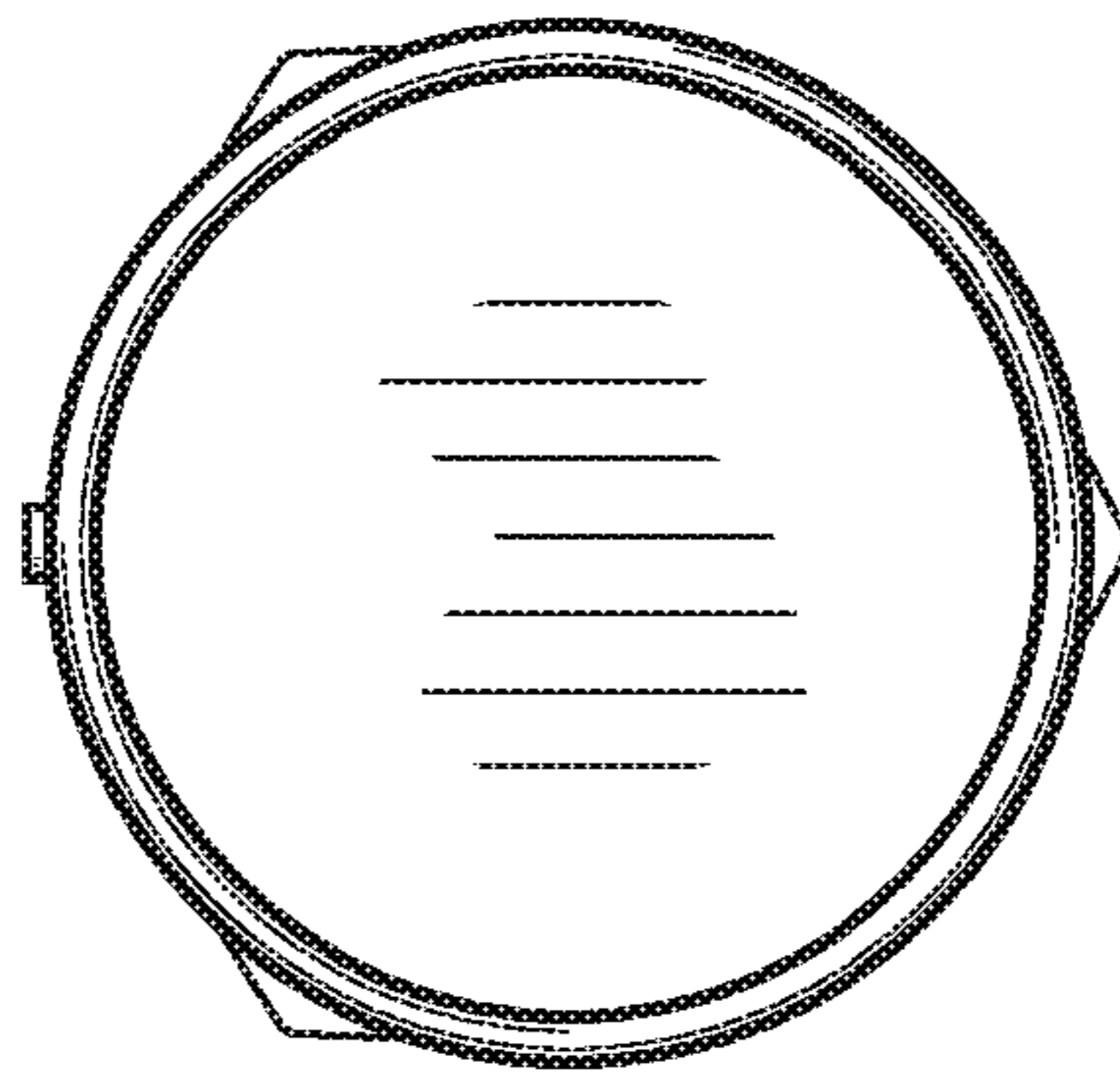


FIG. 6

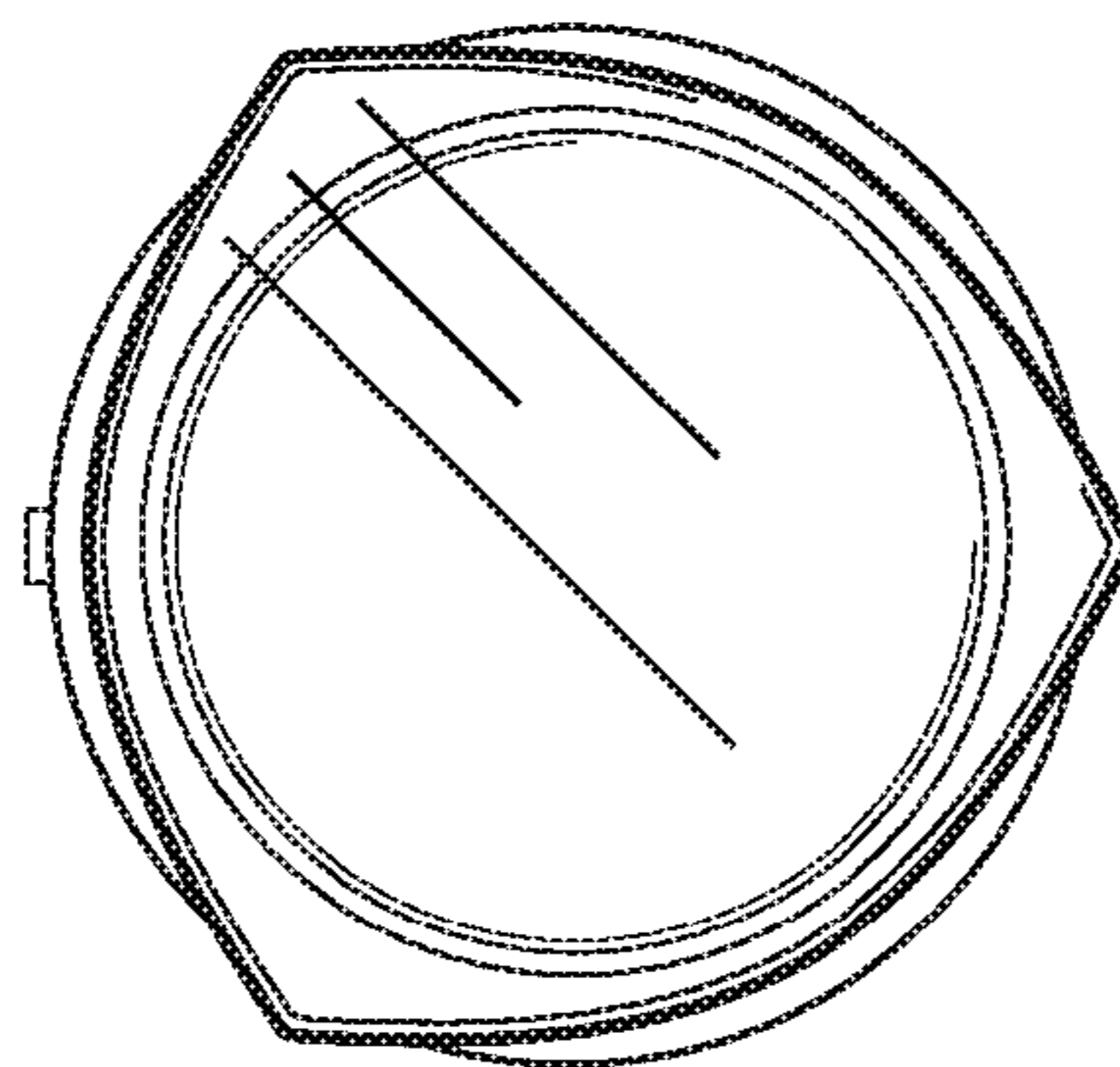


FIG. 7

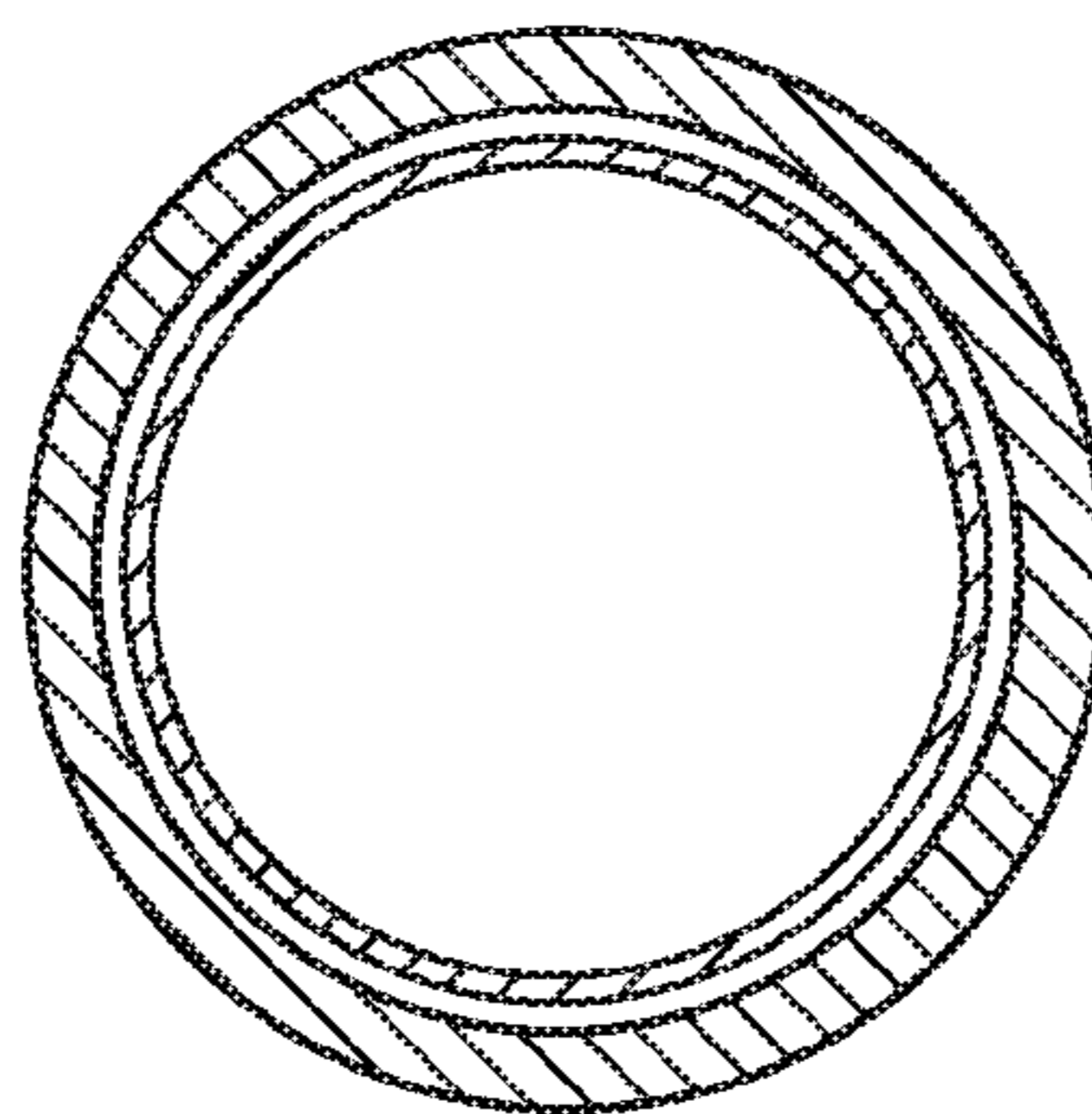


FIG. 8

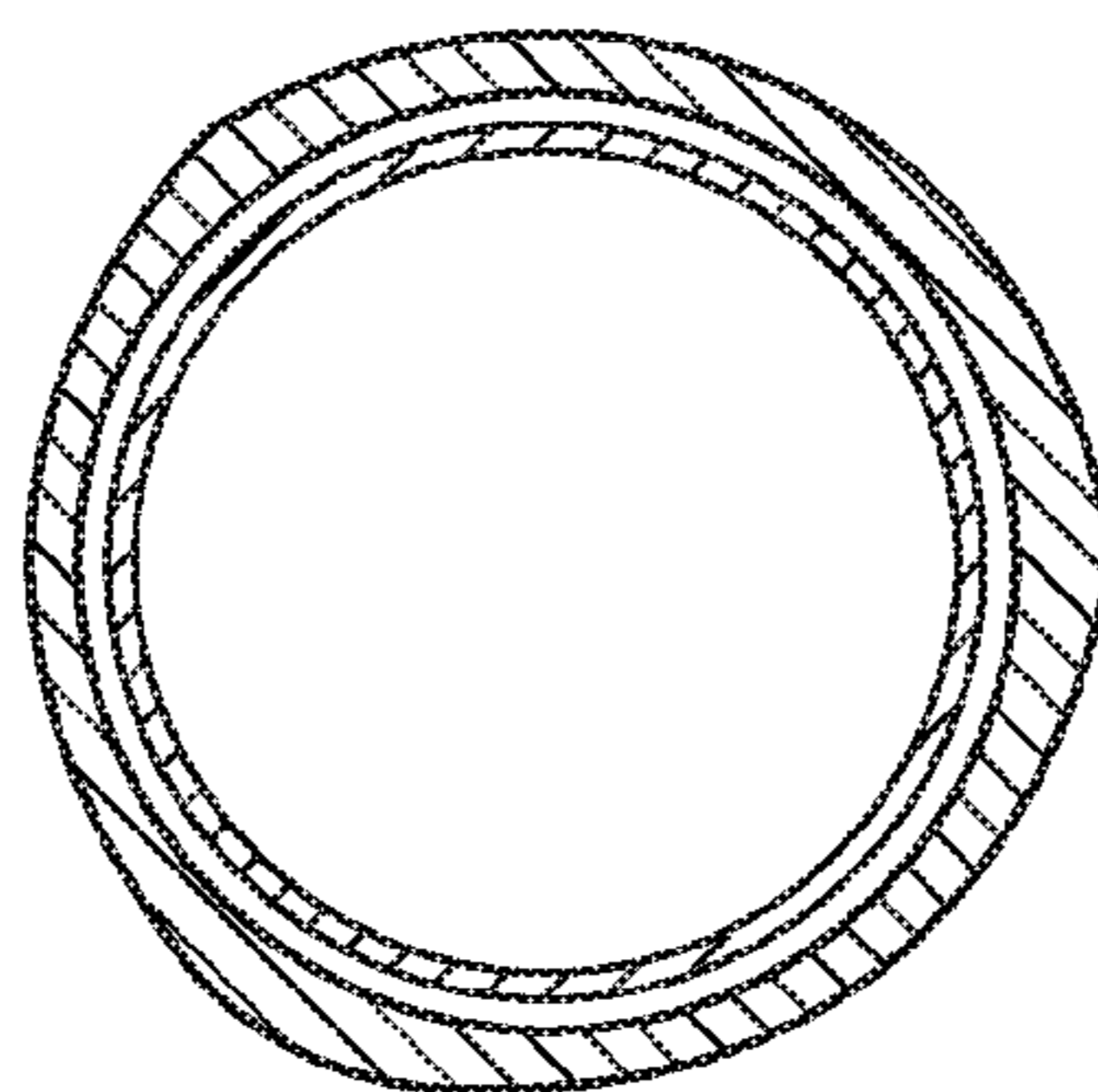


FIG. 9

