



US00D751414S

(12) **United States Design Patent**
Billen

(10) **Patent No.:** **US D751,414 S**
(45) **Date of Patent:** **** Mar. 15, 2016**

(54) **VEHICLE CARTON**
(71) Applicant: **Kid Stuff Marketing, Inc.**, Topeka, KS (US)
(72) Inventor: **William D. Billen**, Topeka, KS (US)
(73) Assignee: **Kid Stuff Marketing, Inc.**, Topeka, KS (US)
(**) Term: **14 Years**

4,643,349 A 2/1987 Sheffer
4,646,959 A 3/1987 Sheffer
4,661,082 A 4/1987 Sheffer
4,804,133 A 2/1989 Kiyokane
5,454,508 A 10/1995 Billen
D374,175 S * 10/1996 Tesar D9/675
5,622,256 A 4/1997 Tesar
D386,399 S * 11/1997 Stokely et al. D9/675
D408,211 S * 4/1999 Cordell D9/675
D531,516 S * 11/2006 Sellars D9/675
D534,810 S * 1/2007 Sellars D9/675
D536,260 S * 2/2007 Young et al. D9/675

(Continued)

(21) Appl. No.: **29/504,402**

OTHER PUBLICATIONS

(22) Filed: **Oct. 6, 2014**

40th Anniversary Ford Mustang Classic Cruisers Carton, dated Apr. 23, 2004. www.toyrdirectory.com/monthly/toyshow/toyshow.asp?id=94.*

(51) **LOC (10) Cl.** **09-01**

(52) **U.S. Cl.**
USPC **D9/675; D21/551**

(Continued)

(58) **Field of Classification Search**
USPC D3/270, 271.1-271.4; D7/514-520, D7/599, 604, 613, 619.2, 623, 628; D9/600, 572-577, 414, 418, 430-434; 206/457, 459.5, 527; 215/387-388, 215/381-384, 400; 229/150, 153, 116.4; 220/890; D21/551
CPC B65D 5/4258; B65D 81/60; B65D 81/365; B65D 81/366; B65D 81/368; B65D 2203/00; B65D 2203/02; A63H 33/16
See application file for complete search history.

Primary Examiner — Sandra Morris
(74) *Attorney, Agent, or Firm* — Erickson Kernell Derusseau & Kleypas, LLC

(57) **CLAIM**
The ornamental design for a vehicle carton, as shown and described.

DESCRIPTION

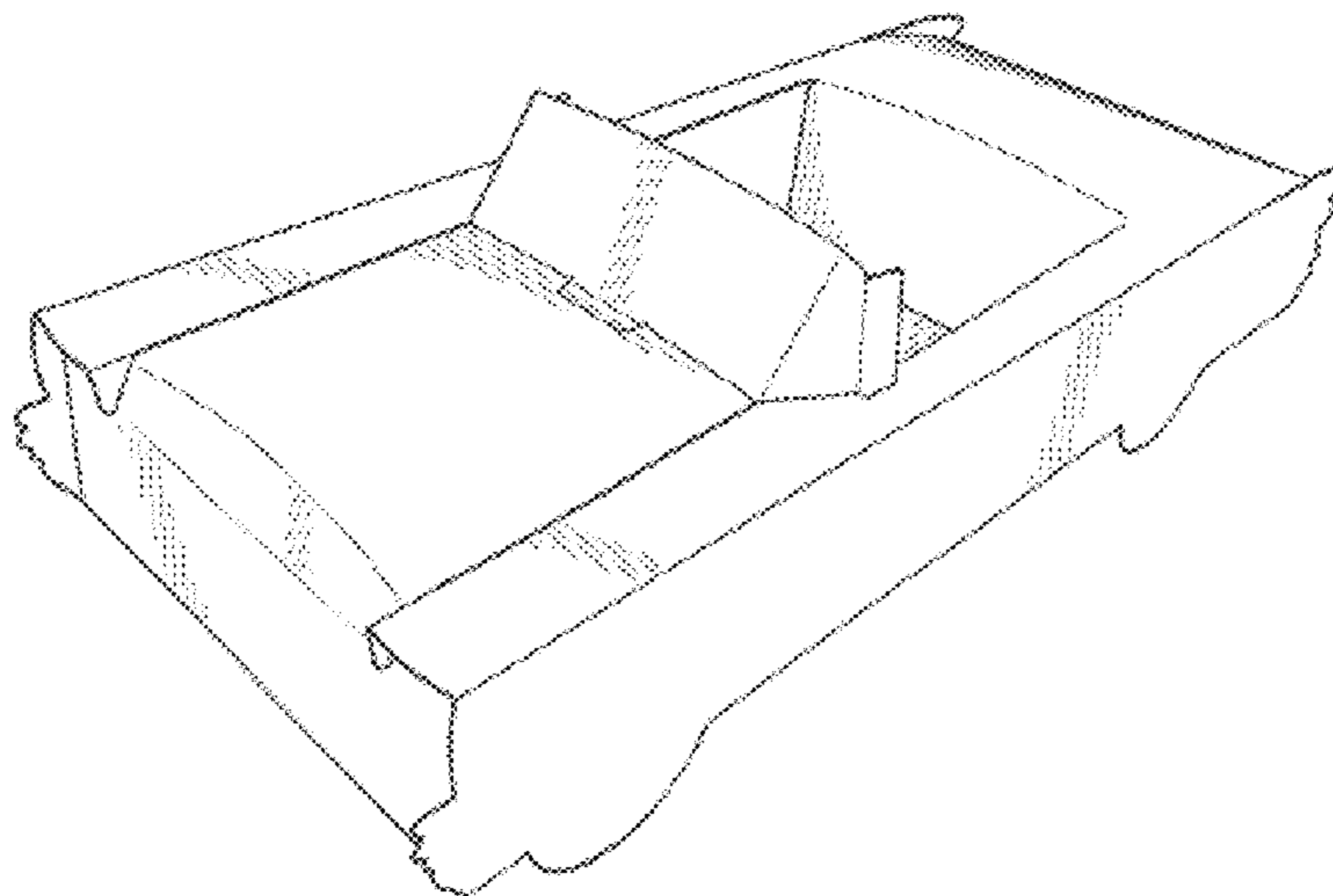
(56) **References Cited**

U.S. PATENT DOCUMENTS

979,812 A 12/1910 Warren
1,330,654 A 2/1920 Alexander
1,547,176 A 7/1925 Lazon
1,553,793 A 9/1925 Rozowsky
2,118,821 A 5/1938 Ringler
2,823,844 A 2/1958 Frankenstein
3,224,660 A 12/1965 Willis
D214,262 S * 5/1969 Paige D9/675
4,055,250 A 10/1977 Mayhew
D256,670 S * 9/1980 Fish D9/675

FIG. 1 flat unfolded view of an ornamental design for a vehicle carton;
FIG. 2 is an assembled top view thereof;
FIG. 3 is an assembled bottom view thereof;
FIG. 4 is an assembled side view thereof;
FIG. 5 is an assembled front end view thereof;
FIG. 6 is an assembled rear end view thereof; and,
FIG. 7 is a perspective view thereof.
The broken lines in FIG. 1 are for illustrative purposes only and form no part of the design fold lines illustrated in the other figures as solid lines when folded.

1 Claim, 3 Drawing Sheets



(56)

References Cited

OTHER PUBLICATIONS

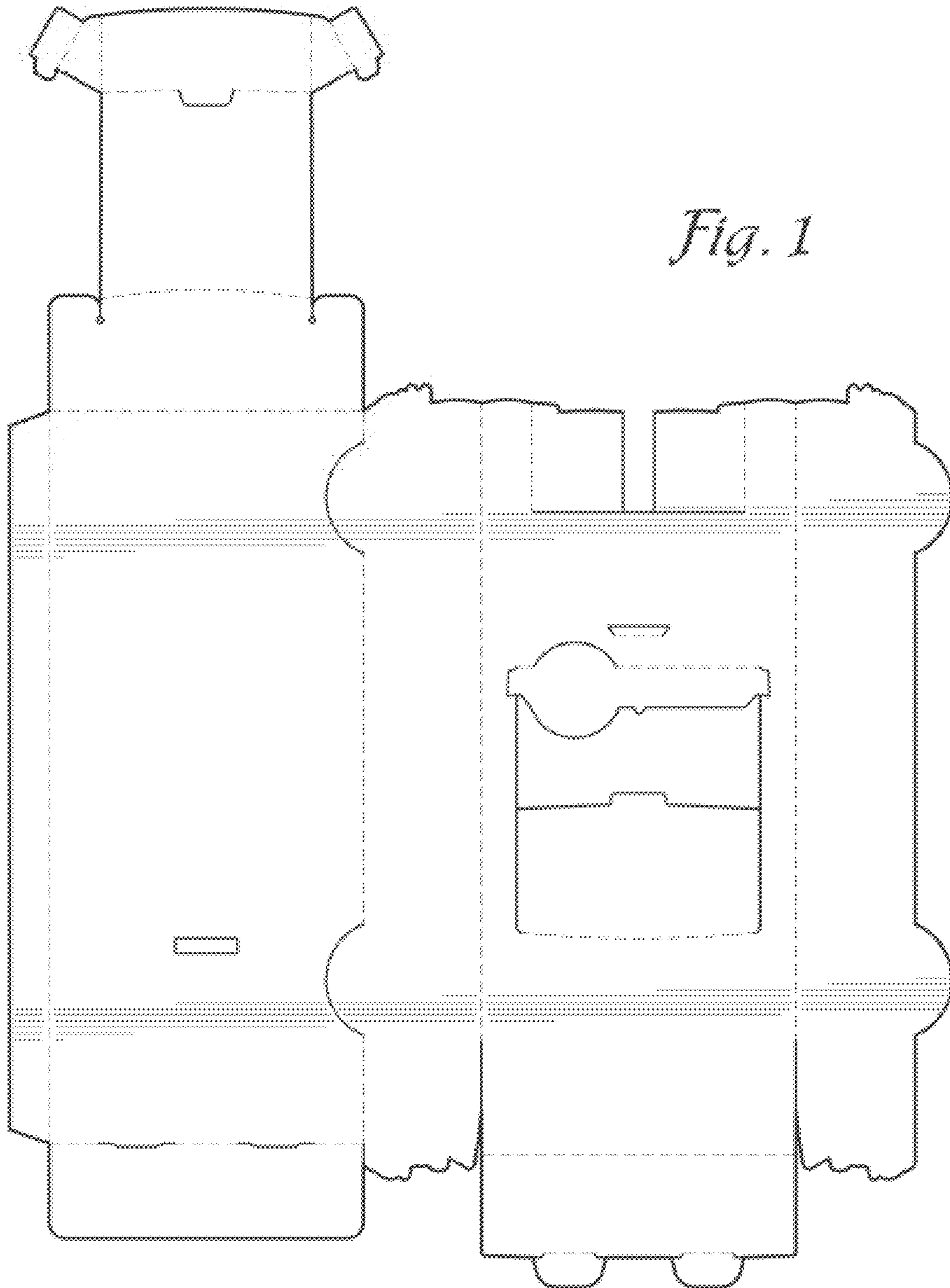
U.S. PATENT DOCUMENTS

D538,176 S * 3/2007 Wilburn D9/675
D547,396 S 7/2007 Yaguchi
7,317,573 B2 1/2008 Billen
7,487,903 B2 2/2009 Billen
7,654,441 B2 2/2010 Billen
D638,305 S * 5/2011 Brogan et al. D9/675
8,511,537 B2 8/2013 Billen

2007 QSR/FPI Foodservice Packaging Awards, dated Oct. 23, 2007.

www.slideshare.net/purdy/2007-qsrspi-foodservice-packaging-awards.*

* cited by examiner



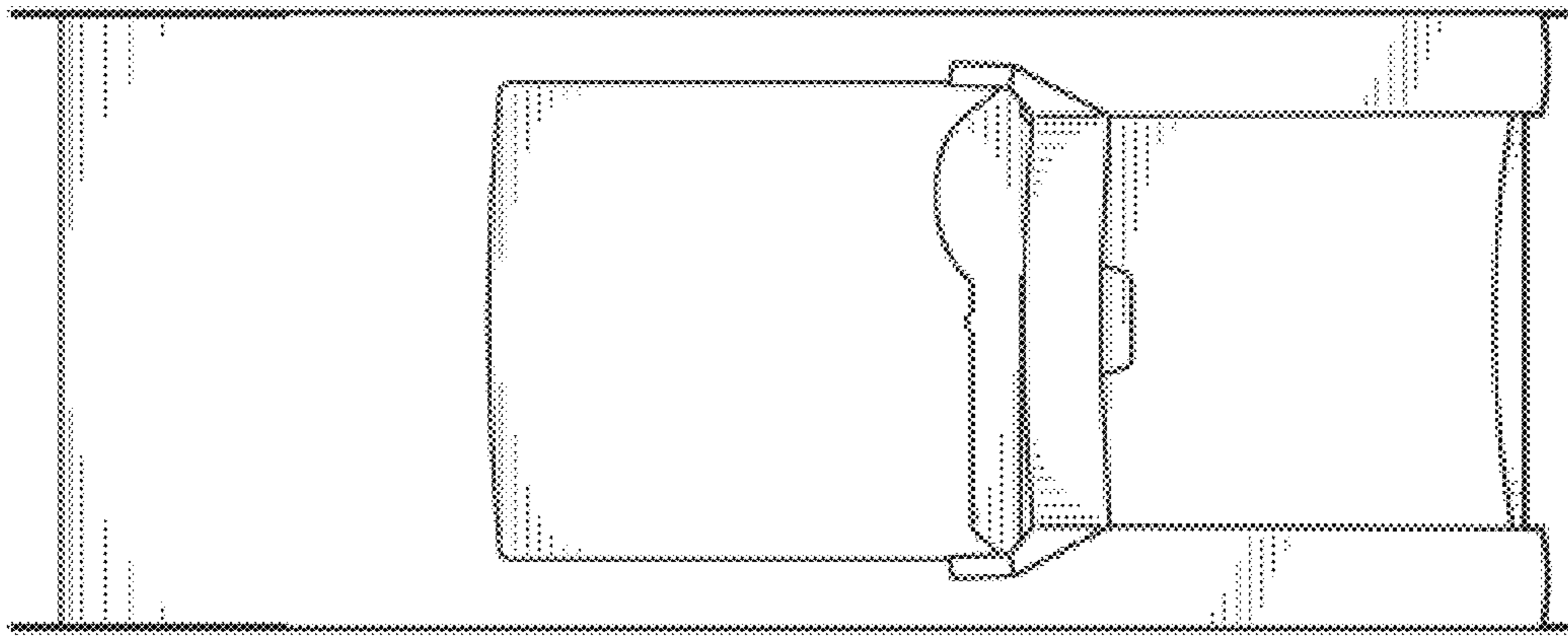


Fig. 2

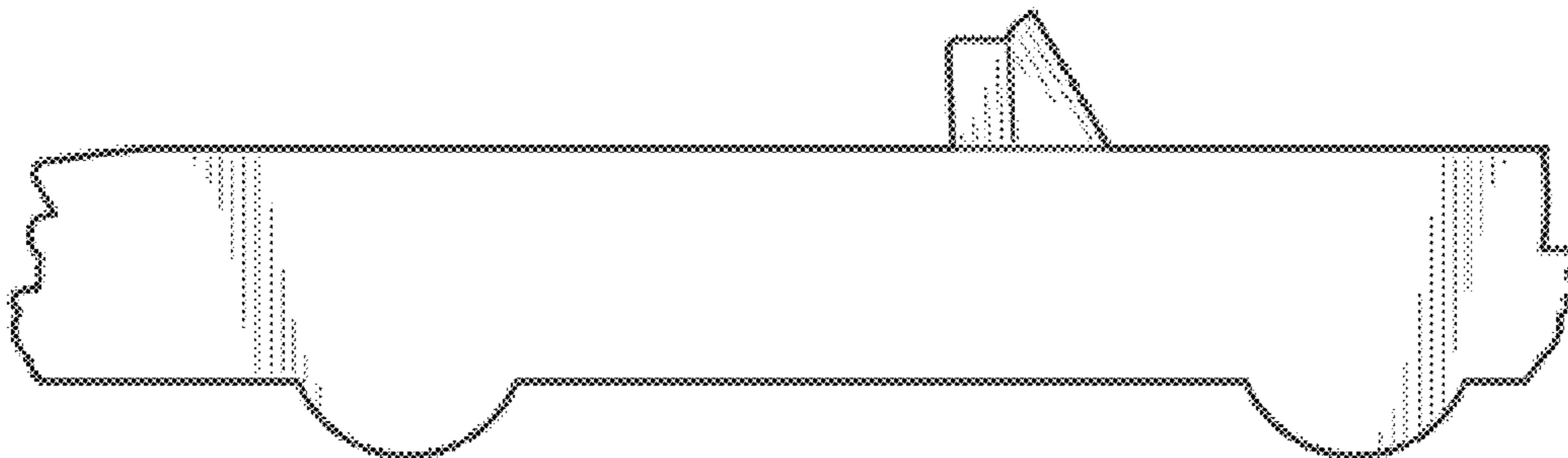


Fig. 3

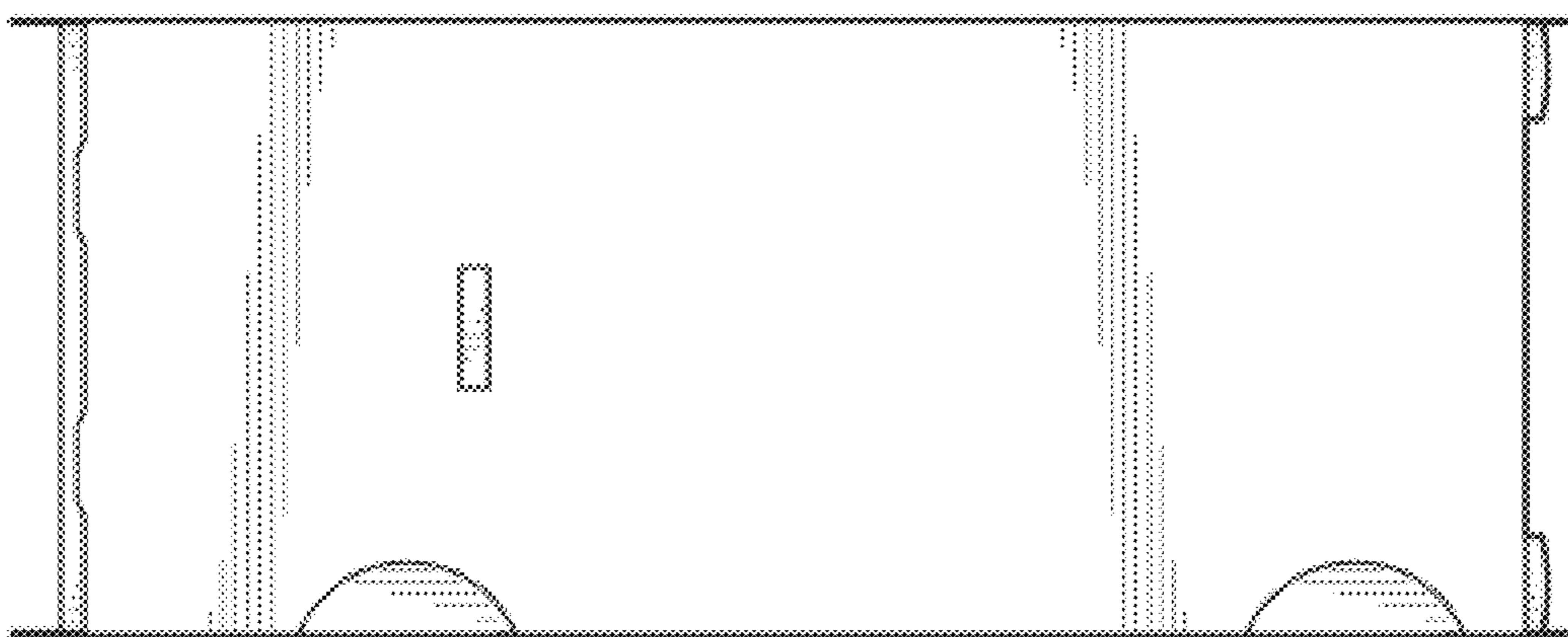


Fig. 4

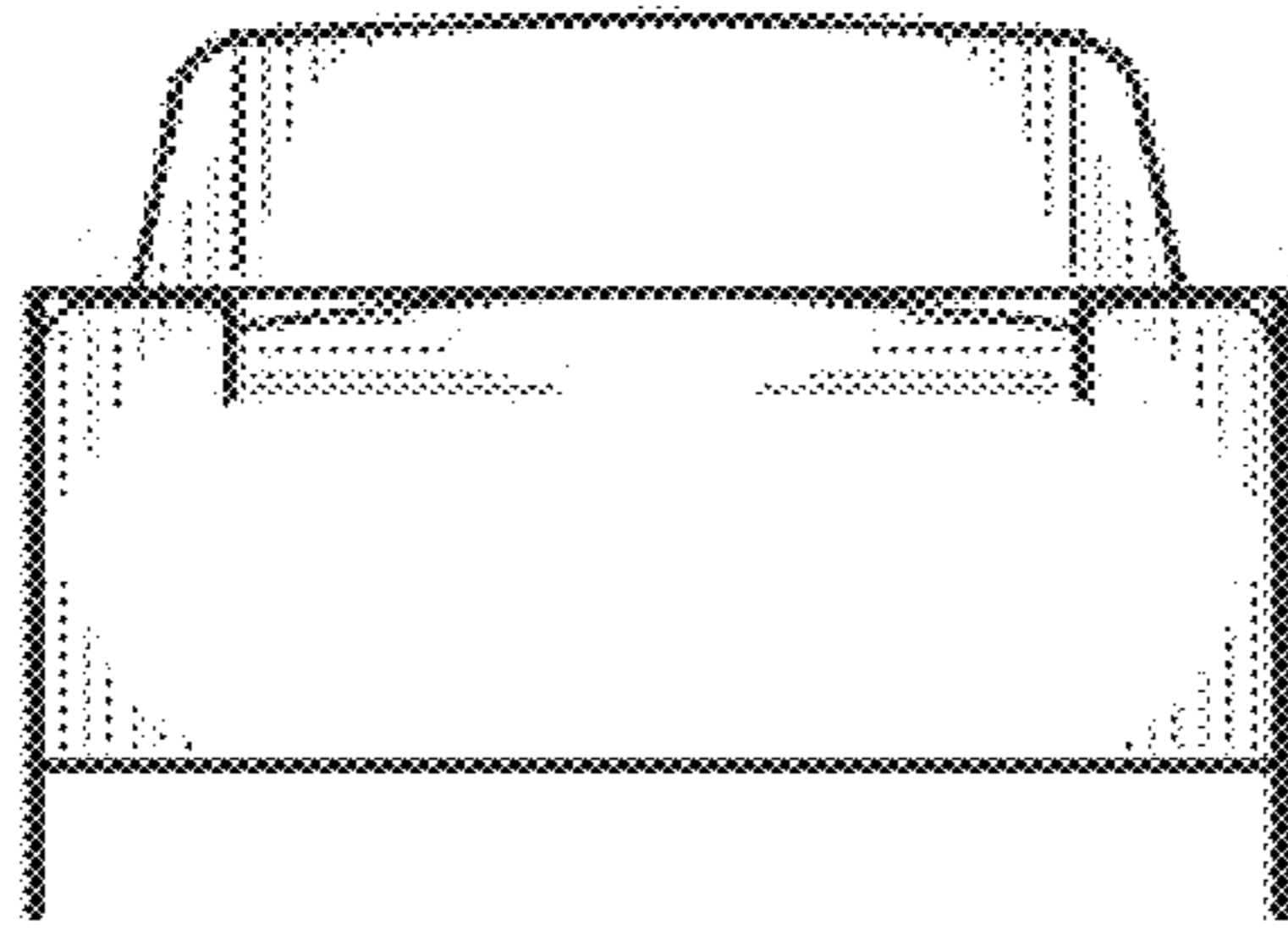


Fig. 5

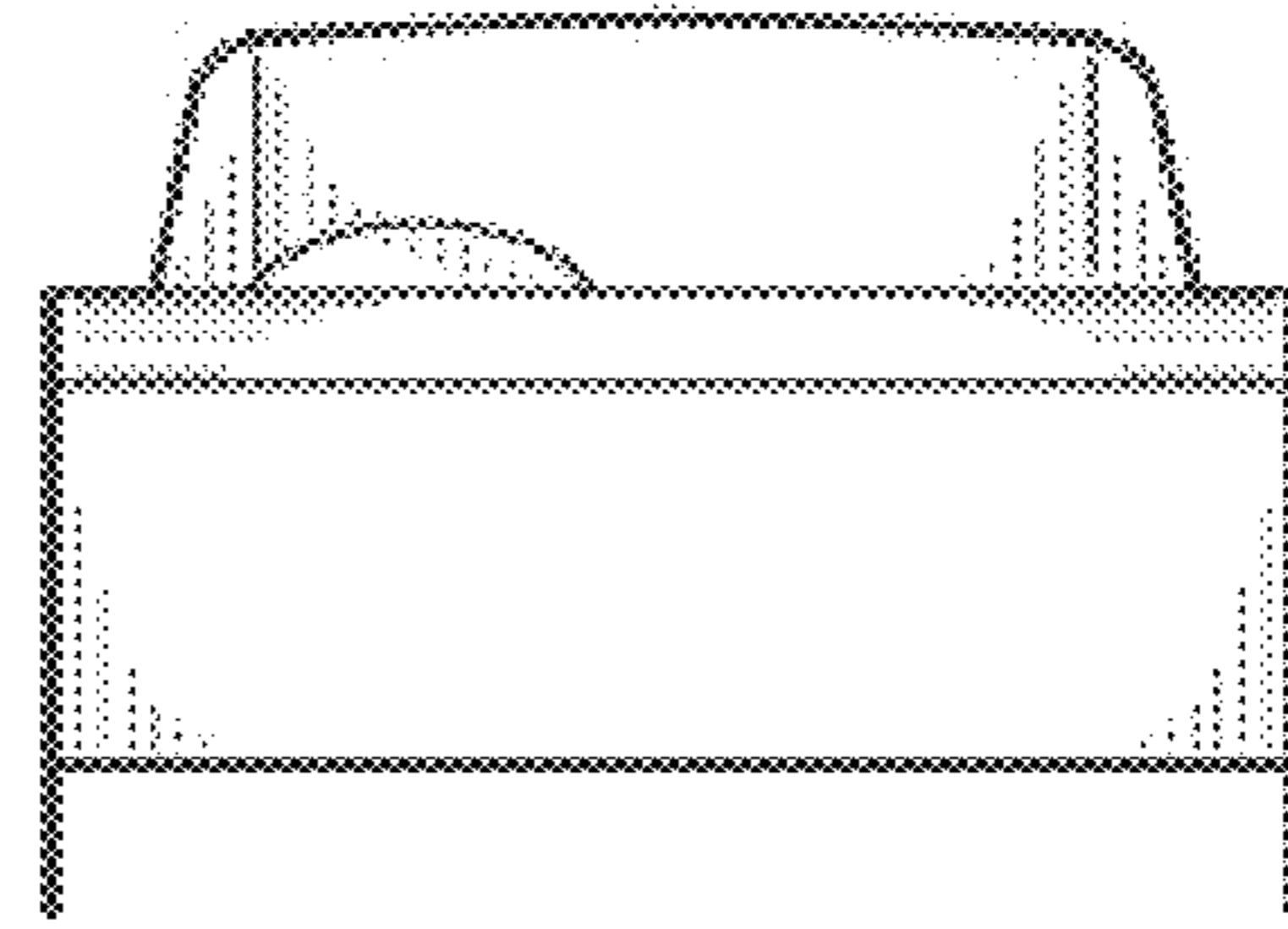


Fig. 6

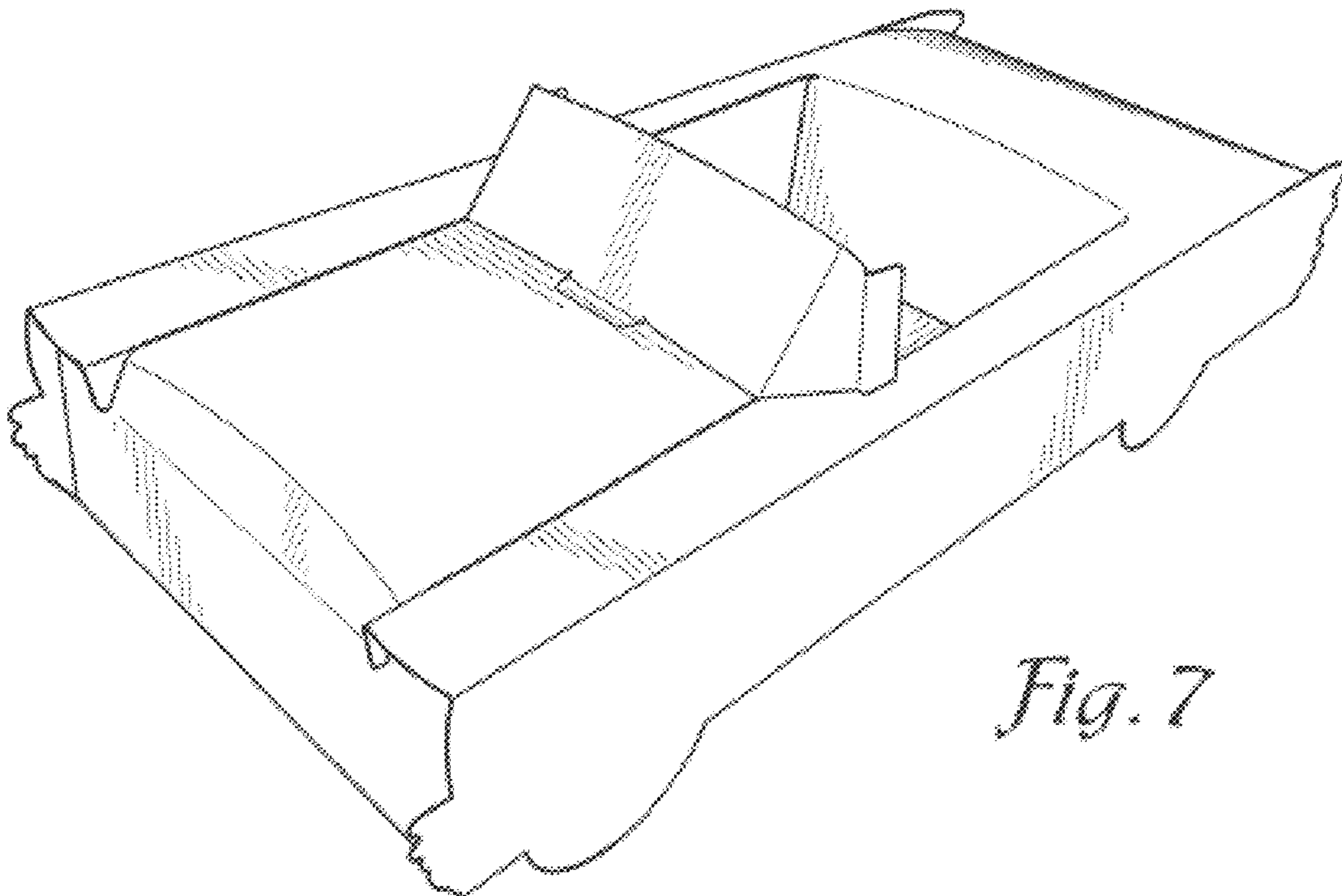


Fig. 7